

# ***SUPERMOTO*** ***400***

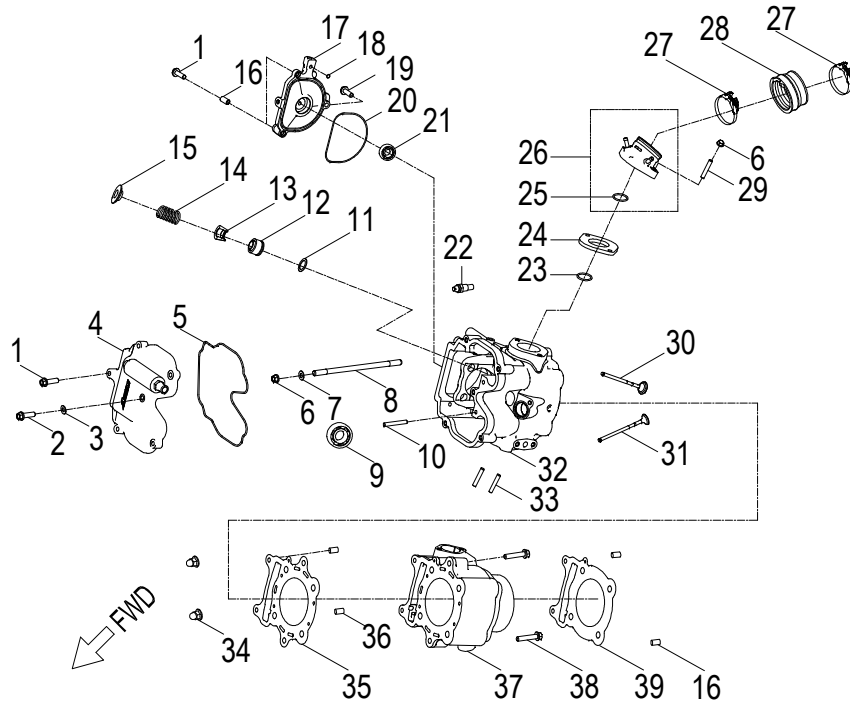


VIN Nंबर:

**RF3RA5653ET001309**



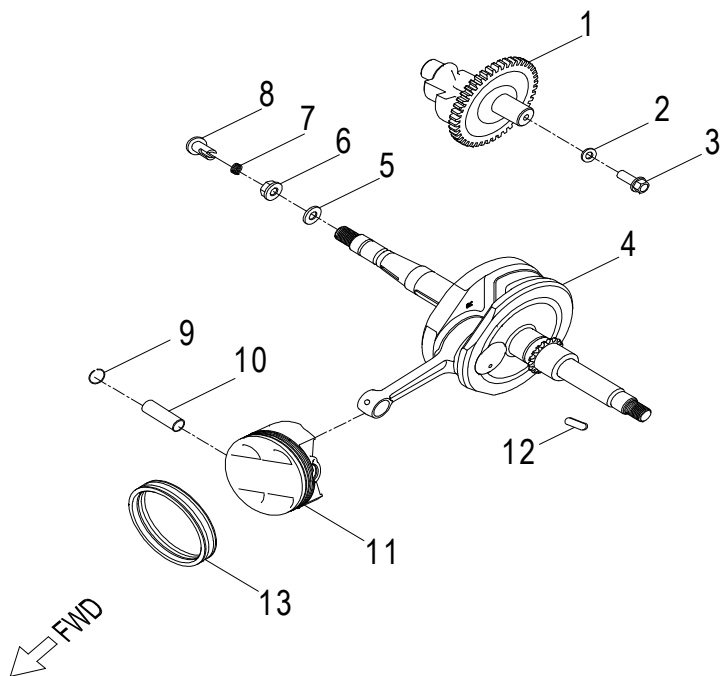
**D-1:CYLINDER HEAD**



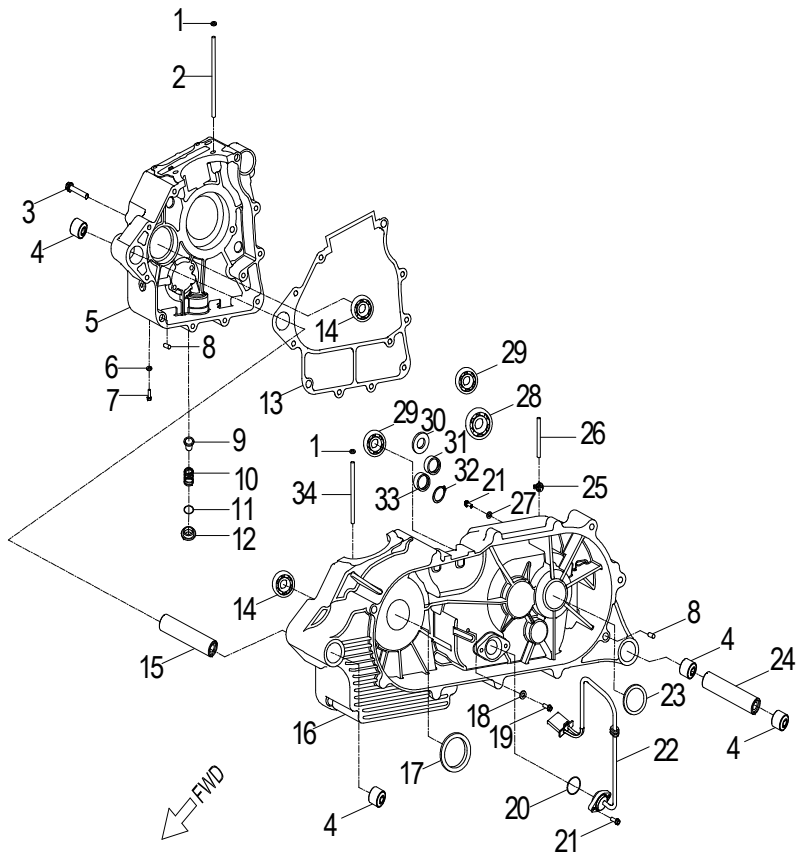
ITEM	DESCRIPTION	P/N	Q"TY	Note
1	Bolt	96000-060258-08C	7	M6*P1.0*25L
2	Bolt	96000-060308-08C	1	M6*P1.0*30L
3	Washer	94101-0612010-00U	2	b6.5* φ 12*t1
4	Asm., Head Cover	1231069T-000	1	
5	Gasket , Head Cover	1239169S-000	1	
6	Nut	94050-06000-00C	2	M6*P1.0
7	Washer	94101-0613020-U00	2	
8	Stud	91001-061158-00C	2	
9	Bearing, Ball	96100-60020-00000	1	
10	Pin, Dowell	1447569S-000	2	
11	Seat, Valve, Spring, Outer	1477569S-000	4	
12	Seal, Valve	1220962B-000	4	
13	Clip, Retainer	1478169S-000	8	
14	Spring, Valve, Outer	1475169S-000	4	
15	Retainer, Valve, Spring	1477169S-000	4	
16	Pin, Dowell	94301-08080	4	
17	Cover, Head , RH	1233169S-000	1	
18	O-Ring	93216-00725	1	
19	Bolt	96000-060208-08C	1	M6*P1.0*20L
20	Gasket, Cam Cover	1233269S-000	1	
21	Bearing, Ball	96100-60000-Z00C3	1	
22	Plug, Spark	9807650N-000	1	
23	O-Ring	93210-04320	1	
24	Insulator, Cylinder head	1711269S-000	1	
25	O-Ring	93210-04330	1	
26	Asm., Manifold, Intake	1710069S-000	1	
27	Strap	94520-04064	2	
28	Adapter, Carburetor	1614669S-000	1	
29	Stud	91001-060408-00C	2	M6*P1.0*40L
30	Valve, Intake	1471169S-000	2	
31	Valve, Exhaust	1472169S-000	2	
32	Head, Cylinder	1220169S-000	1	
33	Stud	91001-080378-00C	2	
34	Nut	94022-06000-00C	2	
35	Gasket Set	1225069S-000	1	
36	Pin, Dowel	94301-10140	2	φ10*14L
37	Cylinder	1210069S-000	1	
38	Bolt	96000-060308-08C	2	M6*P1.0*30L
39	Gasket, Cylinder	1219169S-000	1	

**D-2:PISTON , CRANKSHAFT**

ITEM	DESCRIPTION	P/N	Q"TY	Note
1	Shaft, Balancer	1342069S-000	1	
2	Washer	94101-0832030-000	1	
3	Bolt	96000-080148-OKL	1	M8*P1.25*14L
4	Asm., Crankshaft	1300069S-000	1	
5	Washer	94101-1426020-00C	1	14.2* φ 26*t
6	Nut	94001-14000-00C	1	M14*P1.5
7	Spring, Oil	1544739A-000	1	
8	Tube, Oil, Crankshaft	1544139A-000	1	
9	Clip, Piston Pin	1311550A-000	2	
10	Pin, Piston	1311169S-000	1	
11	Piston	1310069S-000	1	
12	Key, Woodruff	90471-25404	1	
13	Ring Set, Piston	1301169S-000	1	

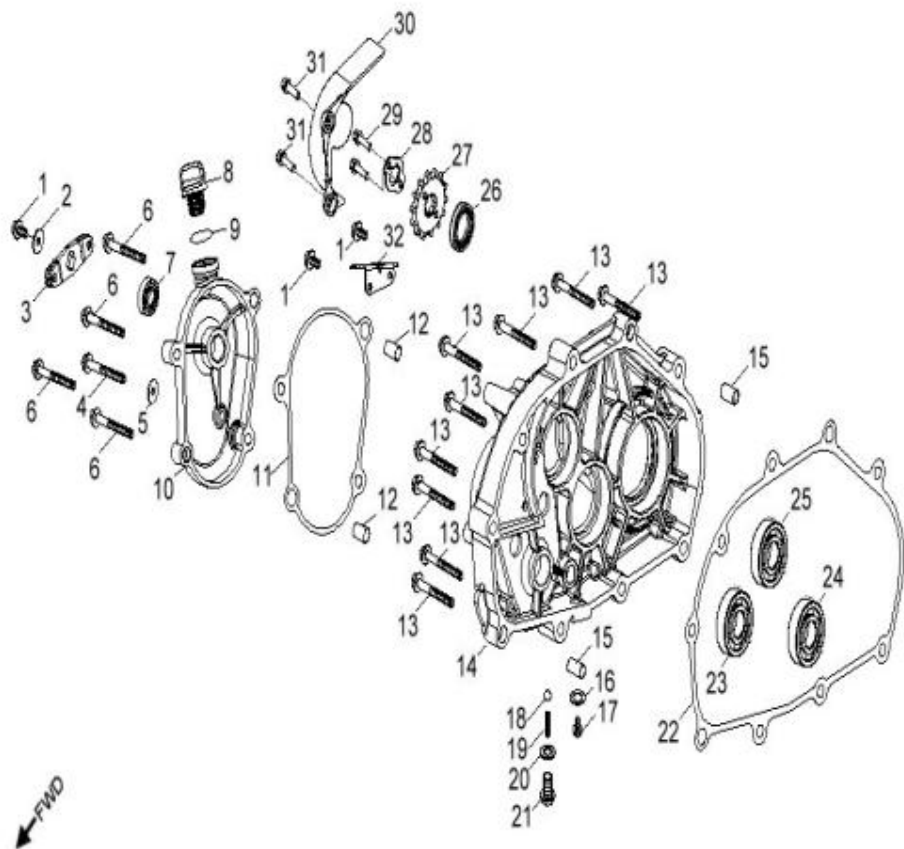


**D-3:CRANKCASE**



ITEM	DESCRIPTION	P/N	Q"TY	Note
1	Washer	94108-0816030-00C	4	
2	Stud	91001-081818-00B	2	
3	Bolt	96000-060508-08C	4	M6*P1.0*50L
4	Bushing	96400-102824	4	
5	Crankcase, Rh	1110150A-000	1	
6	Washer	94101-1221320-00L	1	2.1* φ 21.3*
7	Bolt	96003-120158-17C	1	M12*P1.25*15L
8	Pin, Dowel	94301-10140	4	φ10*14L
9	Screen	15421119-000	1	
10	Spring, Screen	15426119-000	1	
11	O-Ring	93212-03132	1	
12	Plug, Drain, Oil	11334119-000	1	
13	Gasket	1119150A-002	1	
14	Bearing, Ball	96100-63040-00000	2	
15	Spacer, Collar	1115050A-000	1	
16	Crankcase, Lh	1120150A-001	1	
17	Seal, Oil	96504-304207FKM	1	
18	Washer	94101-0624016-00G	1	5.1* φ 24*t1.
19	Bolt	96000-060108-08C	1	M6*P1.0*10L
20	O-Ring	93212-02620	1	25.7*1.9
21	Bolt	96000-060128-08C	4	M6*P1.0*12L
22	Asm., Sensor, Shifter	3575950S-000	1	
23	Seal, Oil	96504-253807FKM	1	
24	Spacer, Collar, Rear	1115150A-000	1	
25	Clamp	94515-12008	1	12*8
26	Hose	94408-09013-400	1	
27	Washer	94101-0618015-00K	2	5.1* φ 18*t1.
28	Bearing, Ball	96100-63050-00000	1	
29	Bearing, Ball	96100-62040-00000	2	
30	Washer	94101-1733015-000	1	7.2* φ 33*t1
31	Bearing, Needle	91120-172518	1	
32	Clip, Cir	94511-2500S	1	25mm
33	Bearing, Needle	96200-202715	1	
34	Stud	91001-081888-00B	2	

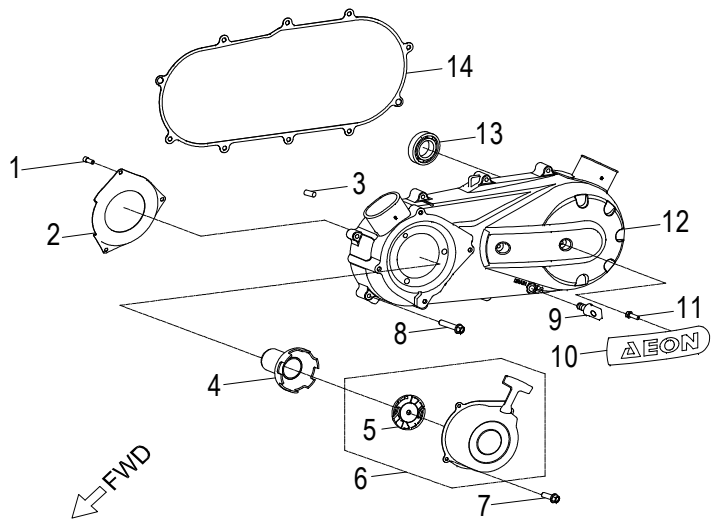
**D-4:DRIVE ASSEMBLY,REAR**



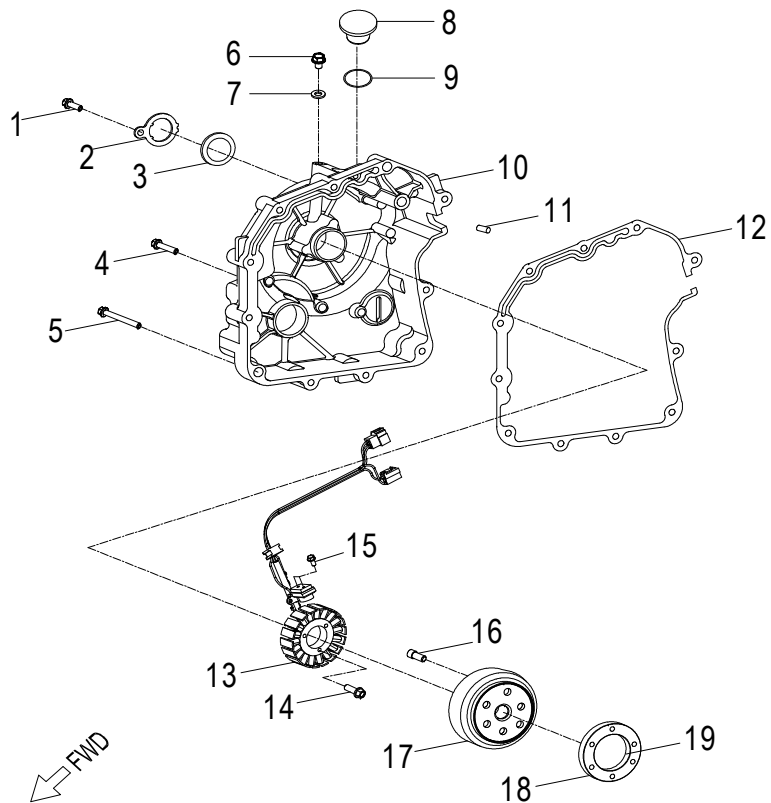
ITEM	DESCRIPTION	P/N	Q"TY	Note
1	Bolt	96000-060168-10K	3	M6*P1.0*16L
2	Washer	94101-0618015-00K	1	5.1* φ 18*t1.
3	Lever, Shift	2131755C-000	1	
4	Bolt	96000-060088-00K	1	M6*P1.0*8L
5	Washer	94101-0612010-00U	1	6.5* φ 12*t1
6	Bolt	96000-060358-08C	4	M6*P1.0*35L
7	Seal, Oil	96500-142807A7271	1	14*28*7
8	Plug, Oil	15650111-001	1	
9	O-Ring	93210-01425	1	φ13.8*t2.5
10	Cover, Shift	2136150S-000	1	
11	Gasket, Inspection Cover	2136250S-002	1	
12	Pin, Dowel	94301-08140	2	8*14
13	Bolt	96000-080458-00C	9	M8*P1.25*45L
14	Cover, Transmission	2130155C-000	1	
15	Pin, Dowel	94301-10140	2	φ10*14L
16	Washer	94101-1221320-00L	1	2.1* φ 21.3*
17	Bolt	96000-120158-14C	1	M12*P1.25*15L
18	Ball, Steel	2132239A-000	1	
19	Spring, Detent	2430655E-000	1	
20	Washer	94101-1422010-00L	1	14.2* φ 22*t
21	Bolt	2430539A-000	1	
22	Gasket, Transmission Cover	2139550A-002	1	
23	Bearing, Ball	96100-63040-00000	1	
24	Bearing, Ball	96100-63050-00000	1	
25	Bearing, Ball	96100-62040-00000	1	
26	Seal, Oil	96504-255207NBR	1	
27	Sprocket, Drive	23801159-001	1	17T
28	Bracket, Sprocket	23811201-000	1	
29	Bolt	92000-060108-00C	2	M6*P1.0*10L
30	Shield	40510201-000	1	
31	Bolt	93501-060168-00K	2	P1.0*16L W/W;
32	Adaptor, Shift Cable	2134155C-000	1	

**D-5:CRANKCASE COVER,LH**

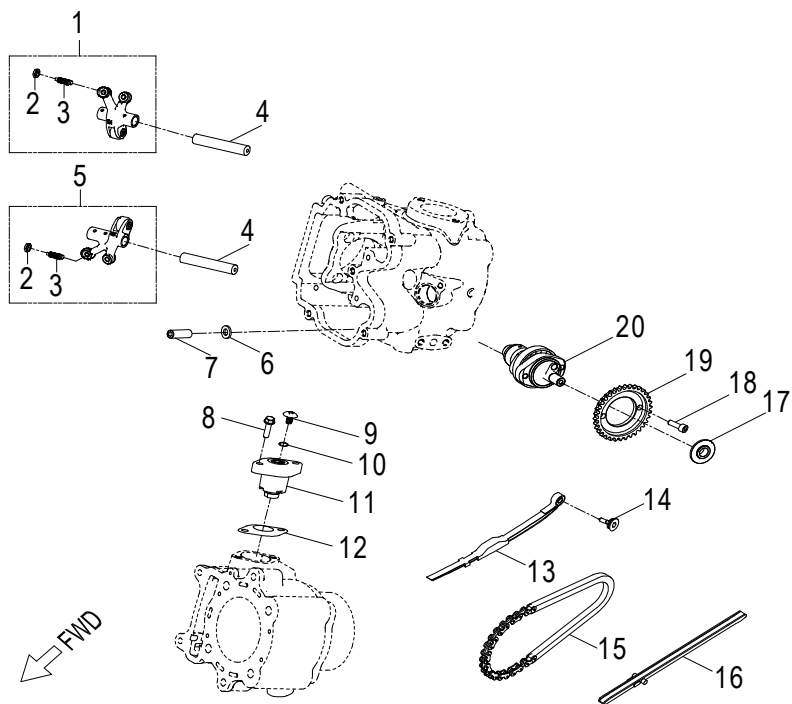
ITEM	DESCRIPTION	P/N	Q"TY	Note
1	Bolt	91003-060088-00K	3	
2	Wind Guider, Drive Clutch	1133969S-000	1	
3	Pin, Dowel	94301-10140	2	φ10*14L
4	Ratchet, Recoil	2210769S-000	1	
5	Sliding Cover Comp	1170650A-000	1	
6	Recoil, Starter	1135050A-000	1	
7	Bolt	96000-060168-10K	4	M6*P1.0*16L
8	Bolt	96000-060408-08C	10	M6*P1.0*40L
9	Drain plug	11353201-000	1	
10	Tablet, Logo	1134750A-000	1	
11	Bolt	96000-050128-00K	2	M5*P0.8*12L
12	Cover, Clutch	1134169S-000	1	
13	Bearing, Ball	96100-6004-LLUC3/ZG	1	004LLUC3/L54
14	Gasket	1135950A-002	1	



**D-6:CRANKCASE COVER ,RH**



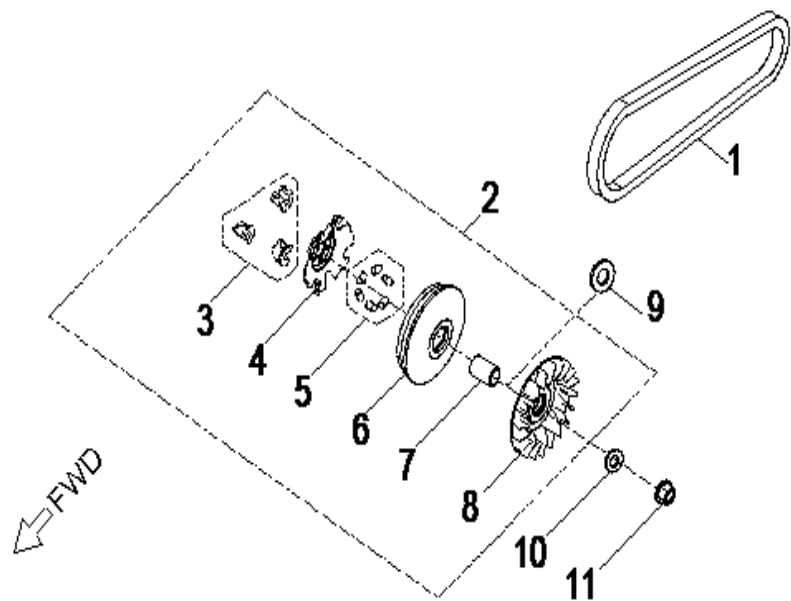
ITEM	DESCRIPTION	P/N	Q"TY	Note
1	Bolt	96000-060128-08C	1	M6*P1.0*12L
2	Retainer, Sight Glass	1133350S-000	1	
3	Oil Windows	1120250A-000	1	
4	Bolt	96000-060458-08C	4	M6*P1.0*45L
5	Bolt	96000-061359-08G	7	
6	Bolt	96000-060108-10K	1	M6*P1.0*10L
7	Washer	94101-0612010-00U	1	ø6.5* φ 12*t1
8	Cap(Nickel Silver)	96600-30075000000	1	
9	O-Ring	93210-02724	1	φ27.4*t2.4
10	Crankcase Cover, Rh	1133550A-000	1	
11	Pin, Dowel	94301-10140	2	φ10*14L
12	Gasket, Crankcase, RH	1139350A-002	1	
13	Stator	3112062E-000	1	
14	Screw	91300-050258-00C	3	ø0.8*25L W/W:
15	Bolt	92000-050128-00C	2	M5*P0.8*12L
16	Bolt	91000-080188-00C	6	
17	Flywheel	3111069F-000	1	
18	Outer, One Way	2812169N-000	1	
19	Asm., Rollor, One Way	2813069N-000	1	



ITEM	DESCRIPTION	P/N	Q"TY	Note
1	Arm Comp,Valve Rocker Intake	1443069F-000	1	
2	Nut,Tappet Adjusting	14433140-000	4	
3	Screw,Tappet Adjusting	14432140-000	4	
4	Shaft,Valve Rocker Arm	1445169S-000	2	
5	Arm Comp,Valve Rocker Exhaust	1444069F-000	1	
6	Washer	94108-0816030-00C	4	
7	Nut, Head	1221869S-000	4	
8	Bolt	96000-060228-14C	2	M6*P1.0*22L
9	Screw	93000-060068-00K	1	M6*P1.0*6L
10	O-Ring	93210-00915	1	9.5*1.5
11	Tensioner	1452150N-000	1	
12	Gasket, Tensioner	14523119-002	1	
13	Guide, Cam Chain, RH	1455050A-000	1	
14	Pivot, Guide	1453550A-000	1	
15	Chain, Cam	1440169S-000	1	
16	Guide, Cam Chain, LH	1450050N-000	1	
17	Decompressor, Cam	1415769S-000	1	
18	Bolt	91000-060128-0KL	2	
19	Sprocket, Camshaft	1410869S-000	1	
20	Asm., Cam Shaft	1440050T-000	1	

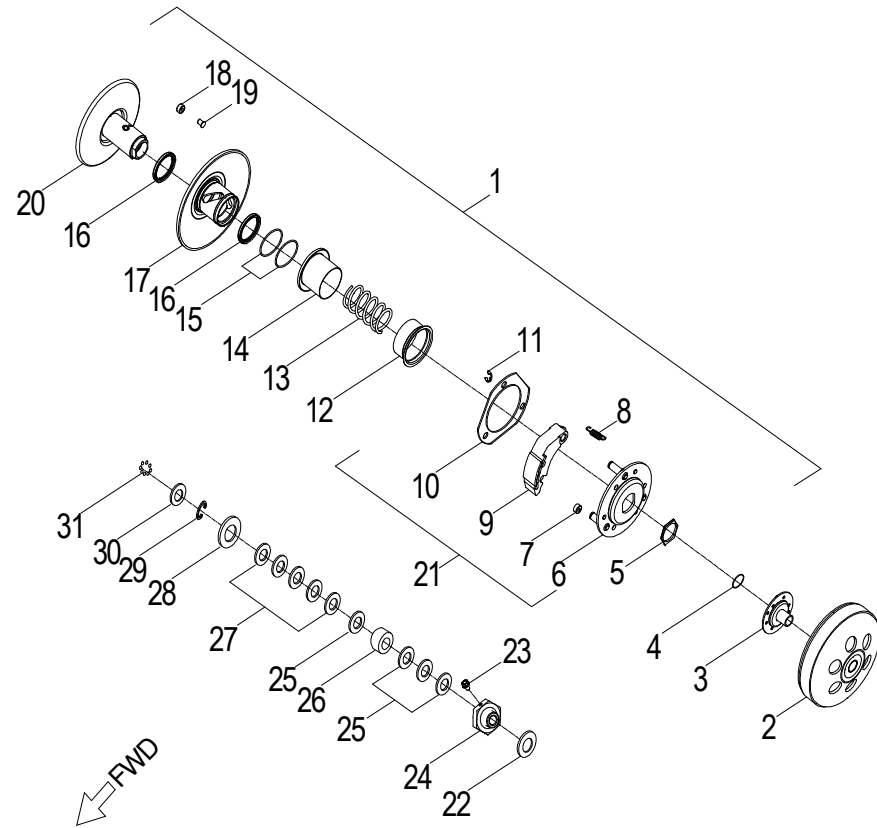


**D-8:DRIVE CLUTCH**



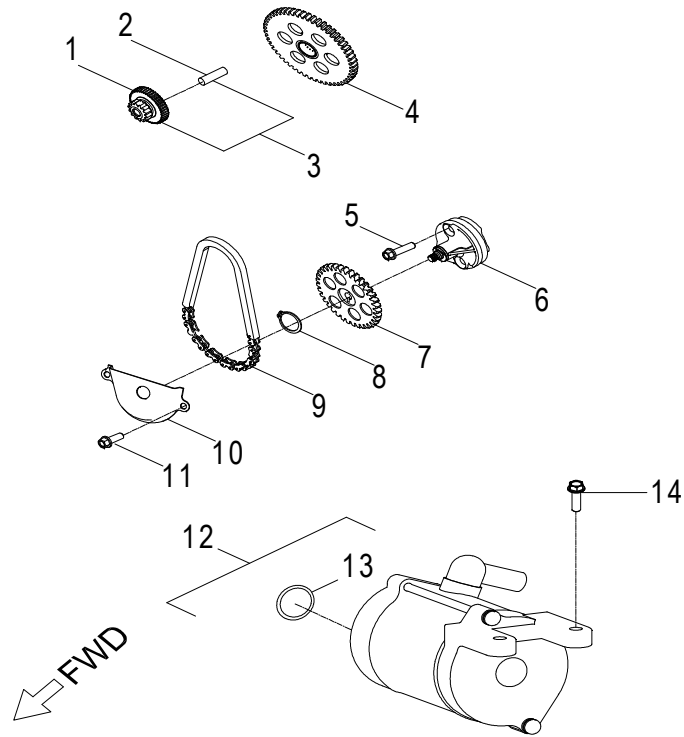
Item	Description	Part number	Q.ty	Note
1	Belt, Driven	2310062F-000	1	
2	Asm., Sliding	2210369S-000	1	
3	Bushing, Slider	2213369N-000	1	
4	Plate, Sheave	2213169S-000	1	
5	Roller	2212069S-000	1	
6	Wheel, Slot, Sliding, Primary	2211062E-000	1	
7	Bushing, Sheave	2210669S-000	1	
8	Sheave, moveable	2210262E-000	1	
9	Washer	94101-1733015-000	1	17.2x33x1.5
10	Washer	94121-1426016-000	1	14x26x1.6
11	Nut	94050-14021-00C	1	

**D-9:DRIVEN CLUTCH**



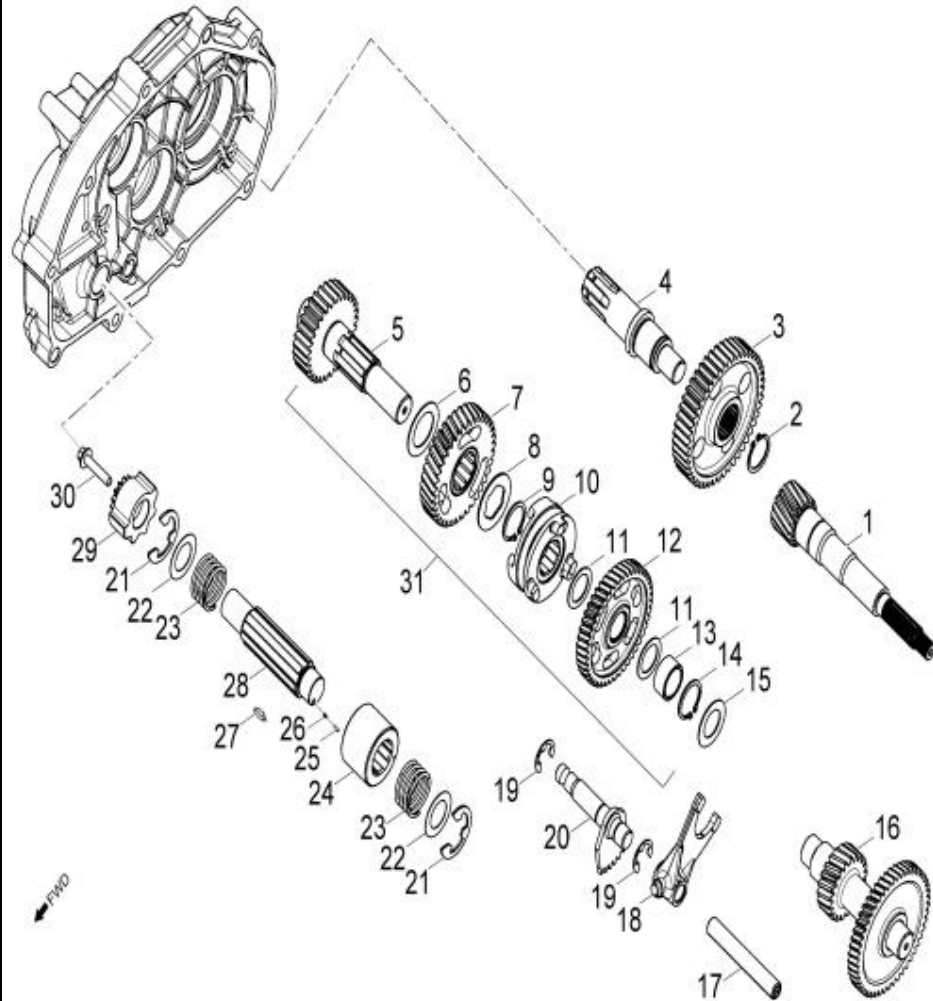
ITEM	DESCRIPTION	P/N	Q"TY	Note
1	Asm., Driven Clutch	2200069S-000	1	
2	Clutch, Outer	2210062E-000	1	
3	Hold, Cam	2210139A-000	1	
4	O-Ring	93214-02031	1	
5	Nut	95111-0001C-000	1	M28
6	Plate, Drive, Inner	2235062E-000	1	
7	Bushing, Rubber	2280469N-000	3	
8	Spring, Clutch	2240162E-000	3	
9	Weight, Clutch	2253569N-000	3	
10	Plate, Drive, Side	2235162E-000	1	
11	Clip, Cir	94511-0700E	3	
12	Seal, Collor	2323962E-000	1	
13	Spring, Clutch	2323362E-000	1	
14	Seal, Collor	2323762E-000	1	
15	O-Ring	93214-04720	2	
16	Seal, Oil	96500-404704FKM	2	
17	Sheave, Moveable	2322062E-001	1	
18	Roller, Guide	2322662E-000	3	
19	Pin, Guide	2322562E-000	3	
20	Sheave, Driven	2320062E-000	1	
21	Asm., Driven Shoes	2200162E-000	1	
22	Washer	94121-2038005-00K	1	
23	Bolt	91205-050088-0KL	1	M5*P0.8*8L
24	Nut, Driven	2210539A-000	1	
25	Washer	94101-2538010-000	4	φ25* φ 38*t1
26	Guide, Cam	2210839A-000	1	
27	Washer, Special	94122-2550020-00K	5	25.2* φ 50*t
28	Retainer, Ball	2210439A-000	1	
29	Clip, Cir	94511-250IS	1	
30	Washer	94101-2531010-00K	1	5.2* φ 31.3*
31	Ball, Steel	96211-07000	8	

**D-10:OIL PUMP/STARTING MOTOR**



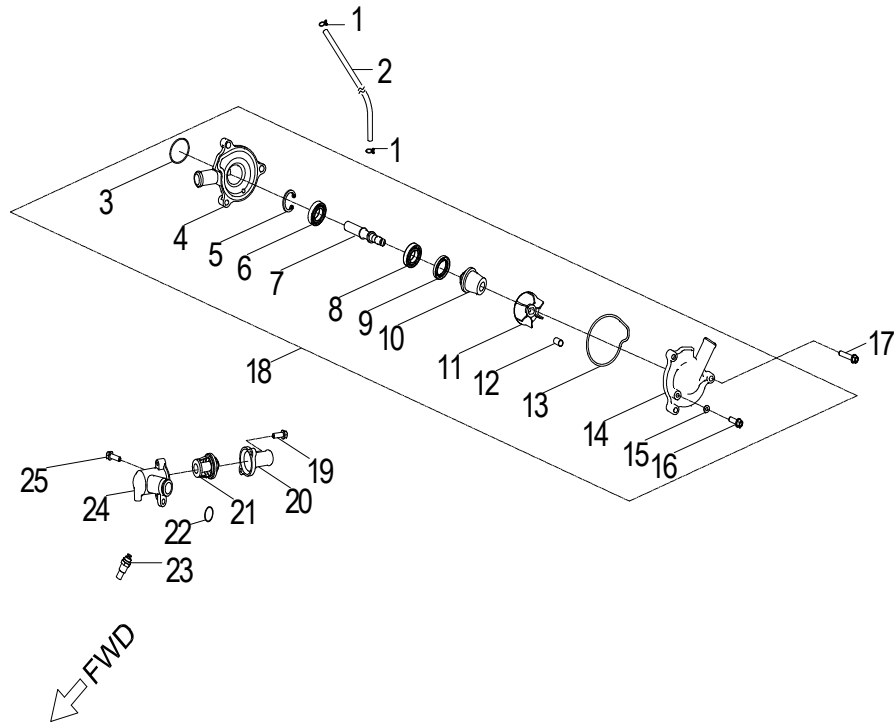
ITEM	DESCRIPTION	P/N	Q"TY	Note
1	Gear, Starter	2842350A-000	1	
2	Shaft, Starter Motor	2842450A-000	1	
3	Asm., Gear Starter	2842250A-000	1	Incl. 1~2
4	Gear, Starter	2822069N-000	1	
5	Bolt	96000-060308-08C	2	M6*P1.0*30L
6	Asm., Oil Pump	1500050A-000	1	
7	Sprocket, Oil Pump	1515050A-000	1	
8	Clip, Cir	94511-1000S	1	
9	Chain, Oil Pump	1514150A-000	1	
10	Cover, Oil Pump	1571150A-000	1	
11	Bolt	96000-060128-08C	2	M6*P1.0*12L
12	Motor, Starter	3120062E-000	1	
13	O-Ring	93210-02431	1	24.4*3.1
14	Bolt	96000-060208-08C	2	M6*P1.0*20L

**D-11:TRANSMISSION**



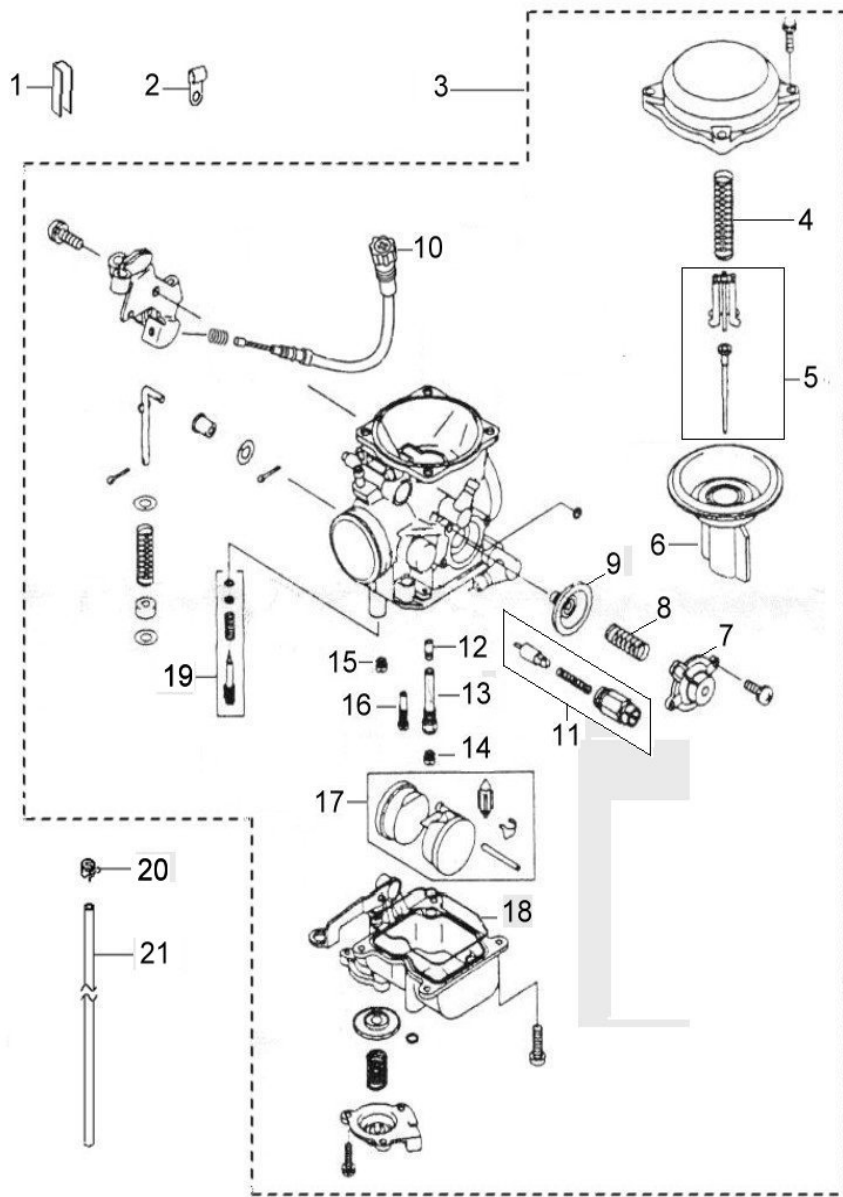
ITEM	DESCRIPTION	P/N	Q"TY	Note
1	Shaft, Drive	2341150S-000	1	
2	Clip, Cir	94511-2400S	1	
3	Gear,Output	2343255C-000	1	
4	Pinion,Output	2343155C-000	1	
5	Shaft, Transmission	2344150A-000	1	
6	Washer	94101-2538010-000	1	p25* φ 38*t1
7	Gear Set, Reverse	2346050A-000	1	
8	Washer, Spline	2343550A-000	1	
9	Clip, Cir	94511-2500S	1	25mm
10	Ratchet, Shift	2243050A-001	1	
11	Washer	94101-2027010-000	2	p20* φ 27*t1
12	Asm., Gear, Spur	2345050A-001	1	
13	Collar, Shaft	2344250A-000	1	
14	Clip, Cir	94511-2000S	1	
15	Washer	94101-2033010-000	1	p20* φ 33*t1
16	Asm., Shaft, Counter	2342050A-000	1	
17	Shaft, Gear Shift	2424150S-000	1	
18	Fork, Shift	2423150A-000	1	
19	E-Clip	94513-1200E	2	
20	Spindle	2461150S-000	1	
21	E-Clip	94513-1900E	2	
22	Washer	94101-2032005-000	2	20* φ 32*t0.
23	Recoil, Shift	2430350S-001	2	
24	Drum, Gear Shifter	2430150S-000	1	
25	Roller, Drum Sensor	2425239A-000	1	
26	Spring, Drum Sensor	2425339A-000	1	
27	Key, Woodruff	90472-40420	1	
28	Shaft, Shift Drum	2430850S-000	1	
29	Gear , Drum Shift	2431050S-000	1	
30	Bolt	96000-060288-10C	1	M6*P1.0*28L
31	Asm., Transmission	2344050A-000	1	Incl. 5~15

**D-12:WATER PUMP**



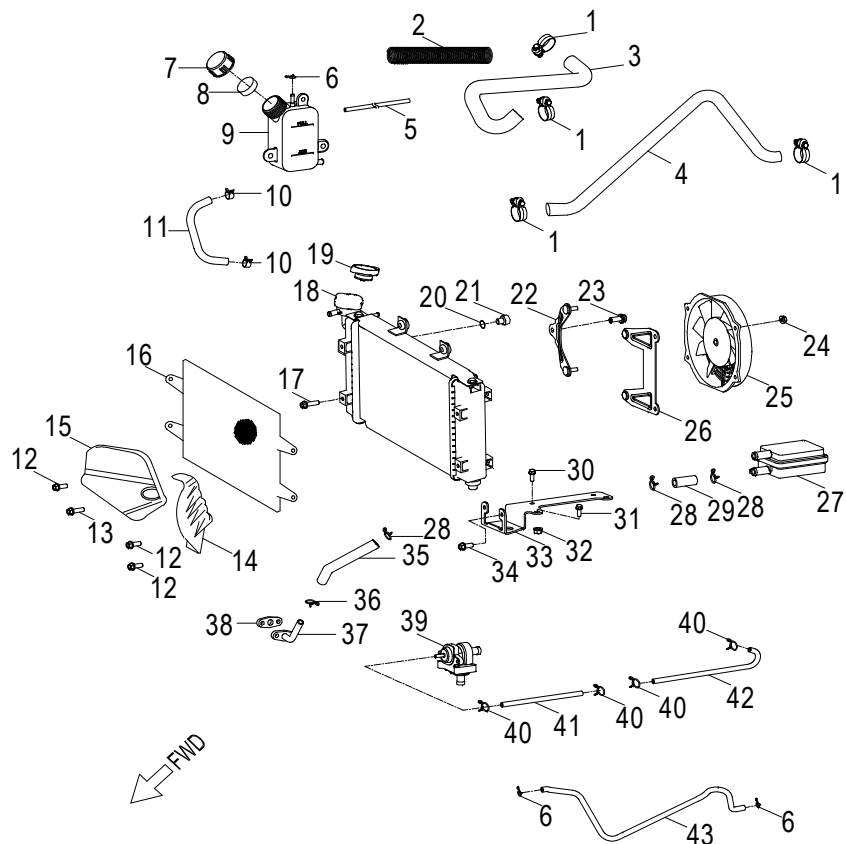
ITEM	DESCRIPTION	P/N	Q"TY	Note
1	Clamp	1922250A-000	2	
2	Hose	1950250A-001	1	
3	O-Ring	93210-02920	1	29*2.0
4	Body, Water Pump	1921150A-000	1	
5	Clip, Cir	94512-2600R	1	
6	Bearing, Ball	96100-60000	1	
7	Shaft, Water Pump	1923150A-000	1	
8	Bearing, Ball	96100-69010	1	
9	Seal, Oil	96500-122207	1	
10	Seal, Mechanical	1921750A-000	1	
11	Impeller, Water Pump	1921550A-000	1	
12	Pin, Dowel	94301-08140	2	8*14
13	Gasket	1922950A-000	1	
14	Flange, Water Pump	1922150A-000	1	
15	Washer	94101-0612010-00U	1	ø6.5* φ 12*t1
16	Bolt	96000-060128-08C	1	M6*P1.0*12L
17	Bolt	96000-060408-08C	3	M6*P1.0*40L
18	Asm., Water Pump	1921050A-000	1	
19	Bolt	96000-050168-00C	2	M5*P0.8*16L
20	Flange, Thermostatic	1931550N-000	1	
21	Bimetal, Thermostatic	1930050A-000	1	
22	O-Ring	93212-01719	1	
23	Sensor, Thermostatic	1931950A-000	1	
24	Housing, Thermostatic	1931150A-000	1	
25	Bolt	96000-060188-08C	1	M6*P1.0*18L

**D-13: CARBURETOR**



ITEM	DESCRIPTION	P/N	Q"TY	Note
1	Limiting Plate, Throttle	16163201-000	1	
2	Cable Fastener	45458205-000	1	
3	Asm., Carburetor	1610069S-000	1	
4	Spring	1610269S-000	1	
5	Asm., Jet Needle	1610469S-000	1	
6	Throttle Valve, Diaphragm	1605069S-000	1	
7	Cover, Diaphragm	1615569S-000	1	
8	Spring	1617269S-000	1	
9	Screw, Idle	1616769S-000	1	
10	Screw, Idle	1611469S-000	1	
11	Manual Choke Comp	5392369S-000	1	
12	Needle, Jet	1615069S-000	1	
13	Valve, Needle	1610569S-000	1	
14	Jet, Main	1610869S-000	1	
15	Jet, Choke	1621469S-000	1	
16	Jet, Pilot	1611069S-000	1	
17	Float	1612369S-000	1	
18	Seal, Float	1610669S-000	1	
19	Screw, Air	1611569S-000	1	
20	Clamp	94515-07807	1	
21	Tube, Oil	94403-04008-430	1	

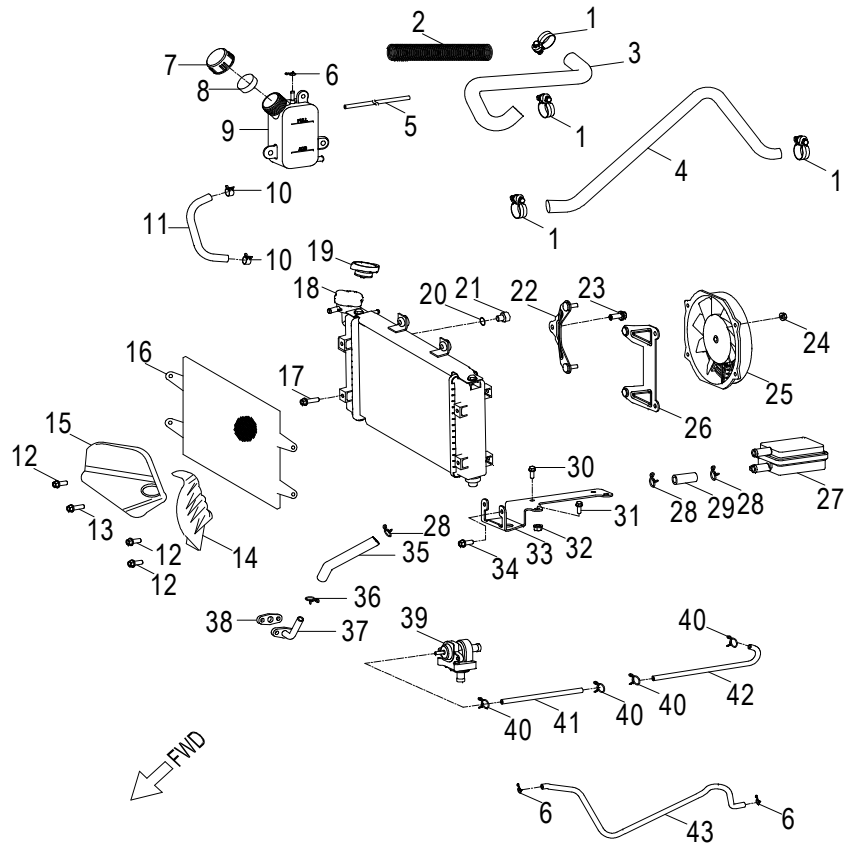
**D-14:RADIATOR**



ITEM	DESCRIPTION	P/N	Q"TY	Note
1	Clamp	1922250A-000	4	
2	Spring, Coolant Hose	1950762U-000	1	
3	Hose, Inlet, Radiator	19503206-000	1	
4	Hose, Outlet, Radiator	19501202-000	1	
5	Hose	94408-05007-450	1	
6	Clip	94510-06500	3	
7	Cap, Expansion Tank	1910250A-000	1	
8	Boot, Duct	1726950A-000	1	
9	Tank, Expansion	1910150A-000	1	
10	Clamp	94515-12008	2	12*8
11	Hose, Inlet, Expansion Tank	19506203-000	1	
12	Bolt	96007-060188-00K	3	1.0*18L W/W:
13	Bolt	96007-060278-00K	1	1.0*27L W/W:
14	Wind Panel, Radiator, LH	19116201-000	1	
15	Wind Panel, Radiator, RH	19117201-000	1	
16	Radiator Cover	1911562E-000	1	
17	Bolt	96007-060228-00K	2	1.0*22L W/W:
18	Radiator	1901162E-000	1	
19	Cap, Water	1911150A-000	1	
20	O-Ring	93210-01020	1	9.8*1.9 NBR
21	Switch, Thermosatic	1932550A-000	1	
22	Bracket, Fan, Right	1900662E-000	1	
23	Screw	93003-060168-00K	3	1.0*16L W/W:
24	Nut	94050-06000-00C	4	M6*P1.0
25	Asm., Fan	1900562E-000	1	
26	Bracket, Fan, Left	1900762E-000	1	
27	Asm.,Filter, Daul- Intake	18995202-000	1	
28	Clip	94510-15000	3	
29	Hose, Rubber	96420-01016-052	1	
30	Bolt	96000-060168-08C	2	M6*P1.0*16L
31	Bolt	96000-060128-0KL	2	M6*P1.0*12L
32	Nut	94050-06000-00K	2	M6*P1.0
33	Bracket, Dual- Intake	1899850A-000	1	
34	Bolt	96000-060148-10K	4	M6*P1.0*14L
35	Hose	18992203-000	1	
36	Clip	94510-13000	1	
37	Tube, Dual- Intake	18640207-000	1	
38	Gasket, Hose	1864639E-000	1	
39	Valve, Dual-Intake	1899955E-000	1	
40	Clip	94510-06500	4	

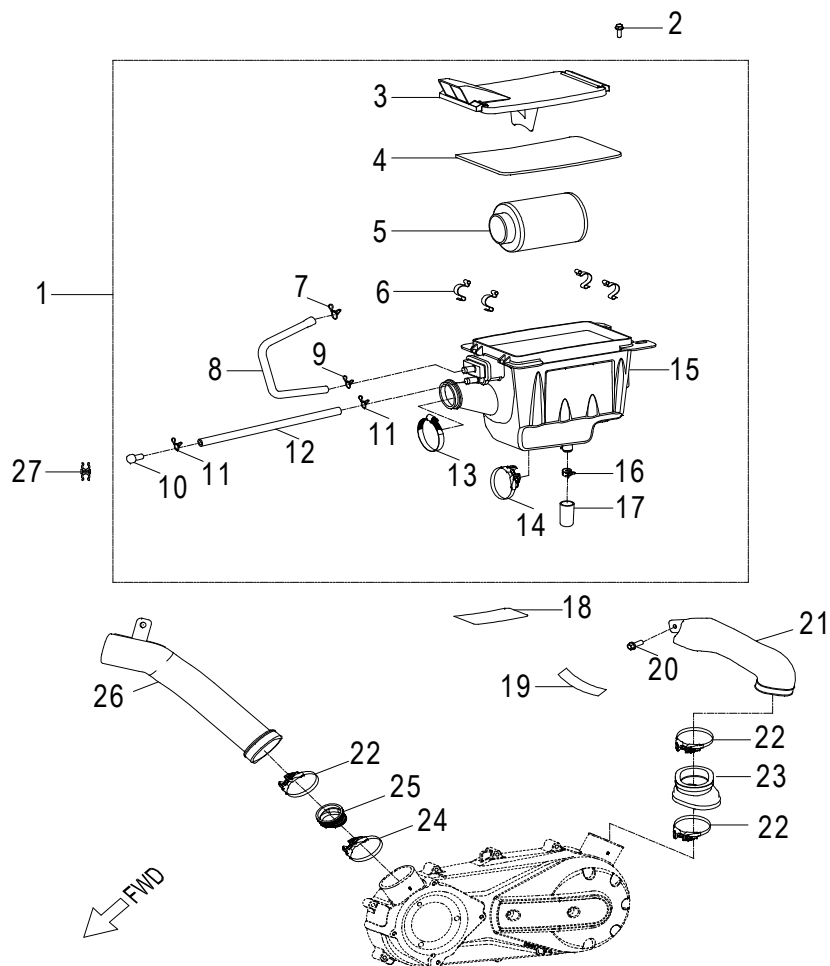
**D-14:RADIATOR**

ITEM	DESCRIPTION	P/N	Q"TY	Note
41	Hose	94407-04007-160	1	
42	Hose	17533205-000	1	
43	Hose, Bypass, Thermosatic	19505208-000	1	





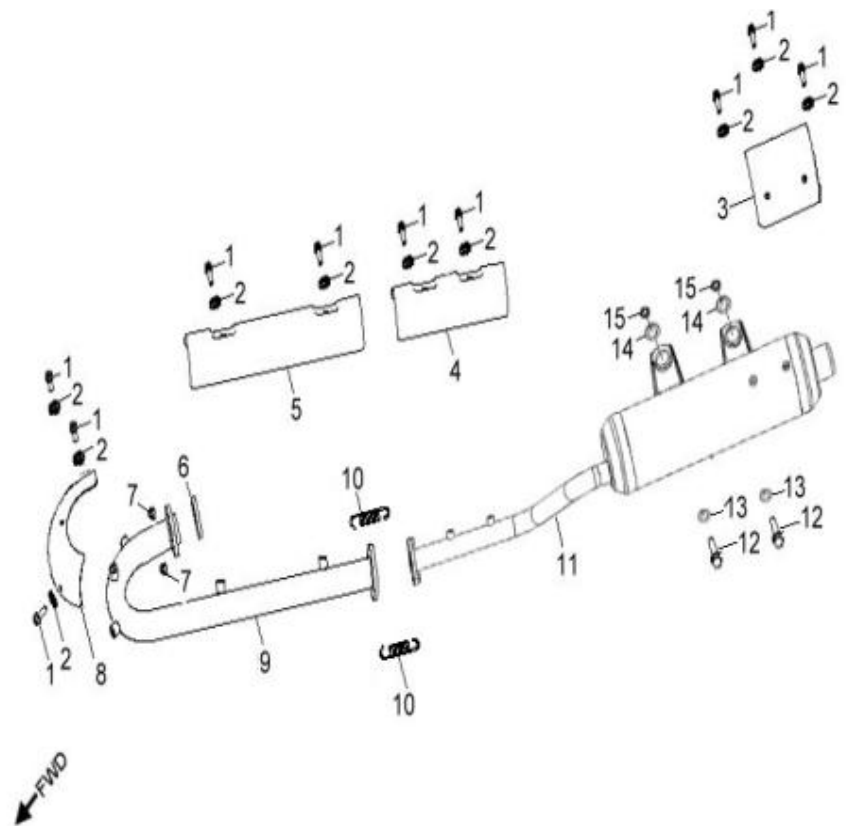
**D-15: AIR CLEANER**



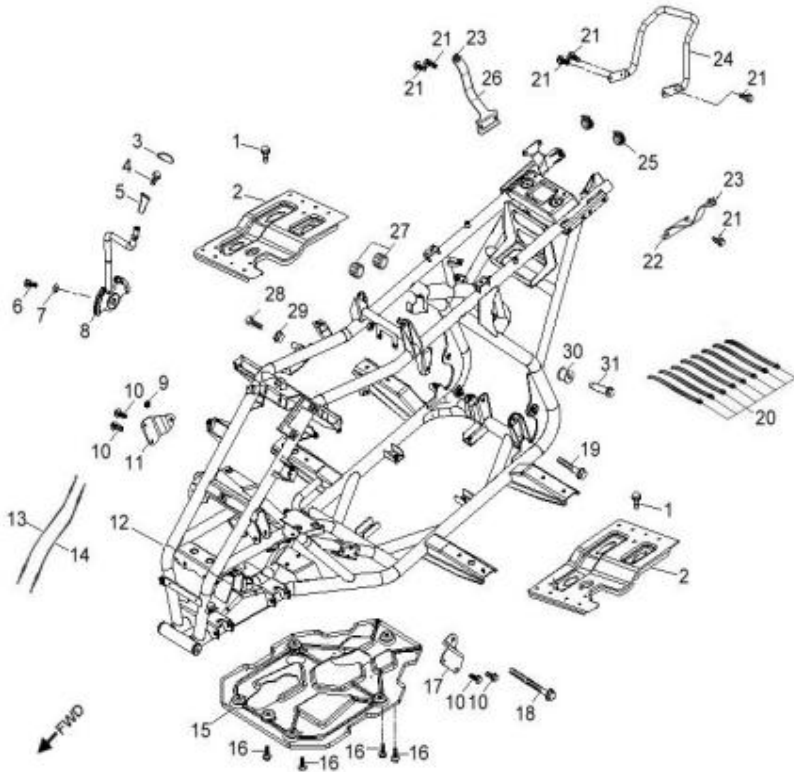
ITEM	DESCRIPTION	P/N	Q"TY	Note
1	Asm., Cleaner, Air	17200224-002	1	
2	Bolt	92005-060168-00K	2	1.0*16L W/W:
3	Cover, Air Cleaner	17207207-000	1	
4	Gasket	3371639A-000	1	
5	Filter, Air Cleaner	17205201-001	1	
6	Clip	1720839A-000	4	
7	Clip	94510-14018	1	14*1.8
8	Tube, Breather, Ventilated	17381222-001	1	
9	Clip	94510-12016	1	
10	Plug, Trap	17370201-000	1	
11	Clip	94510-12012	2	12*1.2
12	Tube, Breather, Ventilated	17381207-000	1	
13	Strap	94520-05070	1	
14	Strap	89669221-000	1	
15	Box, Air Cleaner	17203213-000	1	
16	Clip	94510-21616	1	
17	Hose, Drain	94414-01613-060	1	
18	Decal, Insulation	87011210-000	1	
19	Decal, Insulation	87011219-000	1	
20	Bolt	92003-060168-00K	1	1.0*16L W/W:
21	Duct, Outlet	17256208-000	1	
22	Strap	89669212-000	3	
23	Boot, Duct	17269206-000	1	
24	Strap	89669204-000	1	
25	Boot, Duct	1726939A-001	1	
26	Duct, Inlet	1725562E-000	1	
27	Strap, Oil Hose	89753209-000	1	

**D-16:EXHAUST PIPE**

ITEM	DESCRIPTION	P/N	Q"TY	Note
1	Bolt	96000-050108-00K	10	M5*P0.8*10L
2	Washer, Star	94103-0600000-00C	10	M6*P1.0
3	Shield, Exhaust	18315223-000	1	
4	Shield, Exhaust	18315225-000	1	
5	Shield, Exhaust	18315224-001	1	
6	Gasket	94104-3830040-000	1	
7	Nut	94050-08000-00C	2	M8*P1.25
8	Muffler Protector(iron)	18314210-000	1	
9	Pipe, Exhaust, Front	18299231-001	1	
10	Spring	18297207-000	2	
11	Silencer	18298241-001	1	
12	Bolt	96000-080458-0KL	2	
13	Washer	94101-0822020-00C	2	φ8* φ 22*t2
14	Rubber Shim	18323201-000	2	
15	Spacer	18324201-000	2	



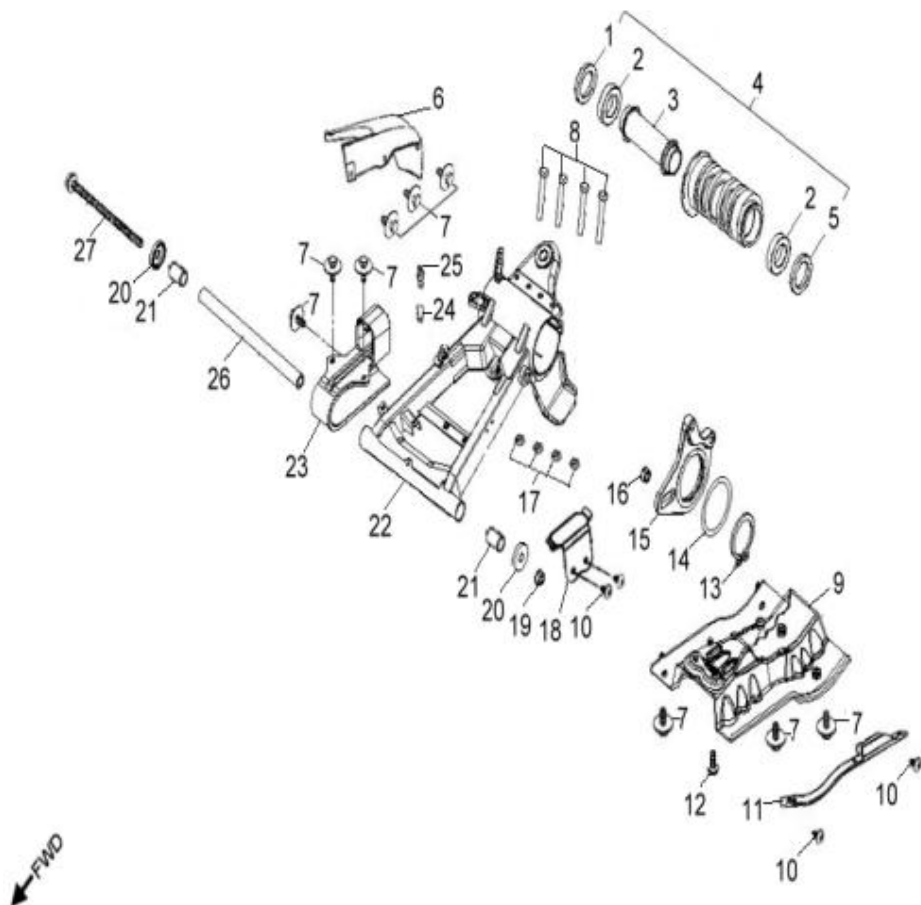
**D-17:FRAME BODY**



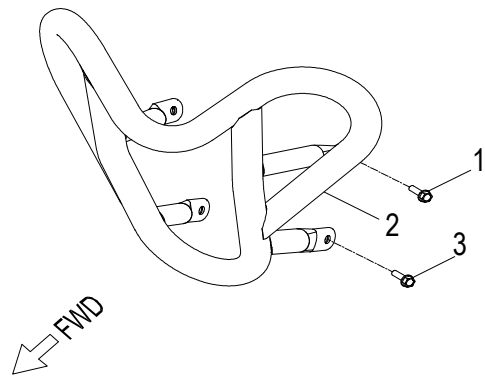
ITEM	DESCRIPTION	P/N	Q"TY	Note
1	Bolt	96000-060128-10K	2	M6*P1.0*12L
2	Bracket, Footwell, RH	5110555E-000	2	
3	Cover	21327201-000	1	
4	Bolt	96000-060128-10K	1	M6*P1.0*12L
5	Knob, Transmission Lever	21328201-000	1	
6	Bolt	96000-080128-00K	1	M8*P1.25*12L
7	Washer	94101-0822020-00C	1	φ8*φ 22*t2
8	Gear Selector	21319228-000	1	
9	Nut	90355-10000-17B	1	
10	Bolt	96000-100209-0GL	4	
11	Mounting, Engine, Rh	50908205-000	1	
12	Asm., Frame	50100374-067	1	
13	Cable, Shift	21335202-000	1	
14	Cable, Shift	21335203-000	1	
15	Shield, Chassis	50106203-000	1	
16	Bolt	92005-060168-00K	4	1.0*16L W/W
17	Mounting, Engine, Lh	50902205-000	1	
18	Bolt	96000-102008-00B	1	110*P1.25*20C
19	Bolt	96000-101369-00Z	1	
20	Strap	89569131-000	8	ALT-200M-B
21	Bolt	92001-080168-00K	7	M8*P1.25*16L
22	Bracket, Rear Fender, LH	50142201-000	1	
23	Rubber	50816153-000	2	
24	Sissy Bar	50105210-458	1	
25	Cap, Rubber	19611202-000	2	
26	Bracket, Rear Fender, RH	50141201-000	1	
27	Grommet, Seat	7722539A-000	2	
28	Bolt	96000-060168-10K	1	M6*P1.0*16L
29	Nut	94050-06000-00K	1	M6*P1.0
30	Chain Guider	40525204-000	1	
31	Bolt	90108-120398-00K	1	M12*P1.25*39L

**D-18:REAR SWIM ARM ASSEMBLY**

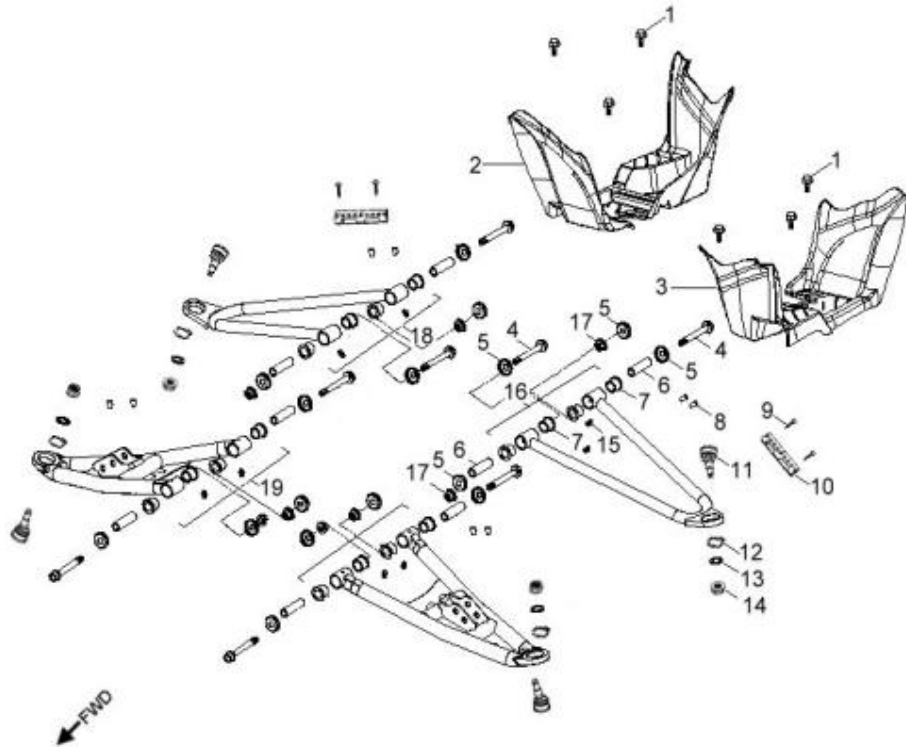
ITEM	DESCRIPTION	P/N	Q"TY	Note
1	Seal, Oil	96500-426208A7271	1	42* φ 62*t0.
2	Bearing, Ball	96100-60070-LLU00	2	
3	Tube, Spacer	42810221-000	1	
4	Asm., Housing, Rear Axle	42803217-001	1	
5	Seal, Oil	96500-446208A7271	1	44* φ 62*t0.
6	Protector, Chain	40521206-000	1	
7	Bolt	96007-060168-00K	9	1.0*16L W/W:
8	Bolt	96000-100658-0KL	4	M10*P1.25*65
9	Cover, Sprocket	40520210-000	1	
10	Screw	93903-1050128-00K	4	M5*12L
11	Chain Guider	40525202-000	1	
12	Bolt	96007-060188-00K	1	1.0*18L W/W:
13	Clip, Cir	94511-7500S	1	
14	O-Ring	93210-07531	1	φ75*t3.1
15	Mount, Caliper	43510203-000	1	
16	Shaft, Caliper Bracket	43512201-000	1	
17	Nut	90355-10000-14C	4	
18	Retainer, Brake Line, Front	53005301-000	1	
19	Nut	90355-14000-19C	1	
20	Cover, Swing Arm Seal	52422202-000	2	
21	Bushing, Sheave	22106205-000	2	
22	Arm, Swing	5241062A-385	1	
23	Chain Guider	40525203-000	1	
24	Cap, Valve, Grease	51301131-000	1	
25	Valve, Grease	51300131-000	1	
26	Tube, Spacer	52420201-000	1	
27	Bolt	96000-143508-00C	1	M14*P1.5*350



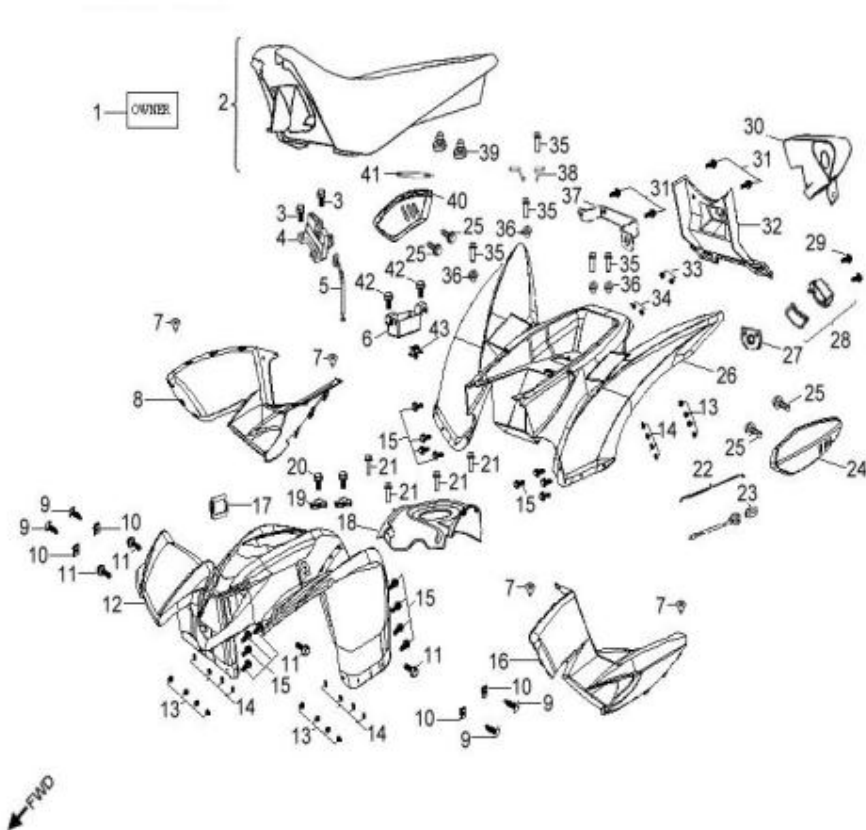
ITEM	DESCRIPTION	P/N	Q"TY	Note
1	Bolt	92001-080128-00K	2	1.25*12L W/W
2	Bracket, Bumper	50450243-458	1	
3	Bolt	92005-060148-00K	2	1.0*14L W/W



**D-20:SWING ARM,FOOTREST**

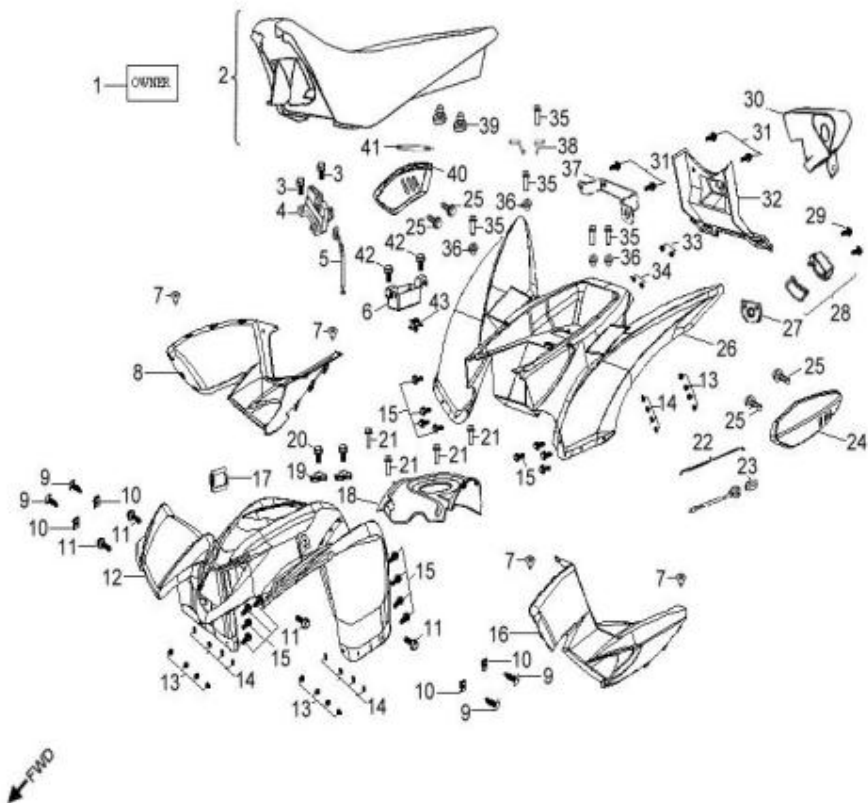


ITEM	DESCRIPTION	P/N	Q"TY	Note
1	Bolt	96007-060168-00K	6	P1.0*16L W/W:
2	Footwell, RH	64300218-000	1	
3	Footwell, LH	64310218-000	1	
4	Bolt	96000-100658-0KL	8	M10*P1.25*65I
5	Cap, dustproof	52426156-000	16	
6	Spacer	53140201-000	8	
7	Bushing	53135202-000	16	
8	Cap, Valve, Grease	51301131-000	8	
9	Screw	93903-1050128-00K	4	M5*12L
10	Retainer, Brake Line, Front	53005203-000	2	
11	Ball Joint	52451204-000	4	
12	Clip, Cir	94511-3113S	4	
13	Washer	94101-1225020-00C	4	12.1*φ 25*t
14	Nut, Lock	90351-12000-00C	4	M12*P1.25
15	Valve, Grease	51300131-000	8	
16	A-Arm, Upper, Lh	53132211-385	1	
17	Nut	94050-10000-00C	8	M10*P1.25
18	A-Arm, Upper, Rh	53032211-385	1	
19	A-arm, Lower	53050206-385	2	



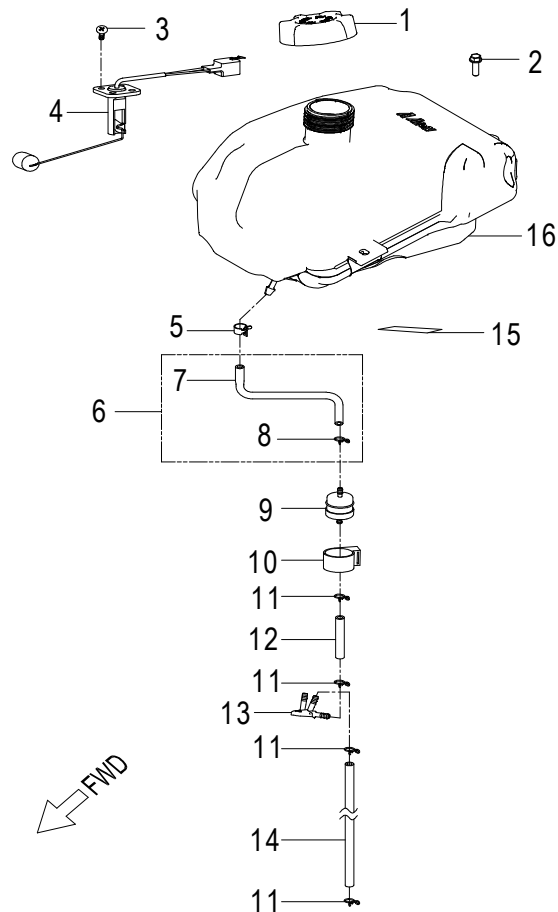
ITEM	DESCRIPTION	P/N	Q"TY	Note
1	Manual, Owner's	88510229-002	1	
2	Seat	77200291-070	1	
3	Bolt	96000-060148-10K	2	M6*P1.0*14L
4	Lock striker	77231180-000	1	
5	Cable, Lock	77232205-000	1	
6	Tool Box	32111201-000	1	
7	Rivet, Plastic	61120153-000	4	
8	Panel, Side, RH	83500206-000	1	
9	Screw	93903-2040128-00K	4	M4*12L
10	U-Nut	90345-04000-02T	4	M4*P0.6
11	Bolt	92003-060168-00K	4	P1.0*16L W/W:
12	Cab, Front	61100218-116	1	black
		61100218-133		white
13	Nut	90350-05000-00K	16	M5*P0.8
14	Washer	94101-0514010-00K	16	5.1* φ 14*t1
15	Bolt	93100-050168-00K	16	M5*P0.8*16L
16	Panel, Side, LH	83600219-000	1	
17	Boot, Shift, Rubber	21322203-000	1	
18	Cover, Fuel Tank	17555201-000	1	
19	U-Nut	90344-06000-00C	2	M6*P1.0
20	Bolt	93800-060148-00K	2	P1.0*14L W/W:
21	Screw	93903-1040128-00K	4	M4*12L
22	Asm., Power Supporter	33713201-000	1	Incl. 23
23	Bulb, License Light	33709131-000	1	
24	Veneer, LH	18316201-000	1	
25	Screw	93903-1050128-00K	4	M5*12L
26	Cab, Rear	6100062E-116	1	black
		6100062E-133		white
27	Rubber	33707131-000	1	
28	Cover, License Light	33710131-000	1	
29	Bolt	93500-040408-00K	2	M4*P0.6*40L
30	Shield, Exhaust Ass'y	18310202-000	1	
31	Bolt	96007-060168-00K	4	P1.0*16L W/W:
32	License Plate	33708203-000	1	
33	Washer	94101-0412010-00K	2	φ4* φ 12*t1
34	Nut	90350-04000-00K	2	M4*P0.6
35	Bolt	96000-060168-10K	5	M6*P1.0*16L
36	Washer	94150-0717075-00K	4	6.5* φ 17.5*t7.
37	Bracket, License Plate	33717202-000	1	
38	Strap, Battery	89751201-000	1	

ITEM	DESCRIPTION	P/N	Q"TY	Note
39	Rubber, Seat	77220180-000	2	
40	Veneer, RH	18319201-000	1	
41	O-Ring	93213-04740	1	φ47*t4
42	Screw	93100-050108-00K	2	
43	Ground Cable, Battery	89755202-000	1	



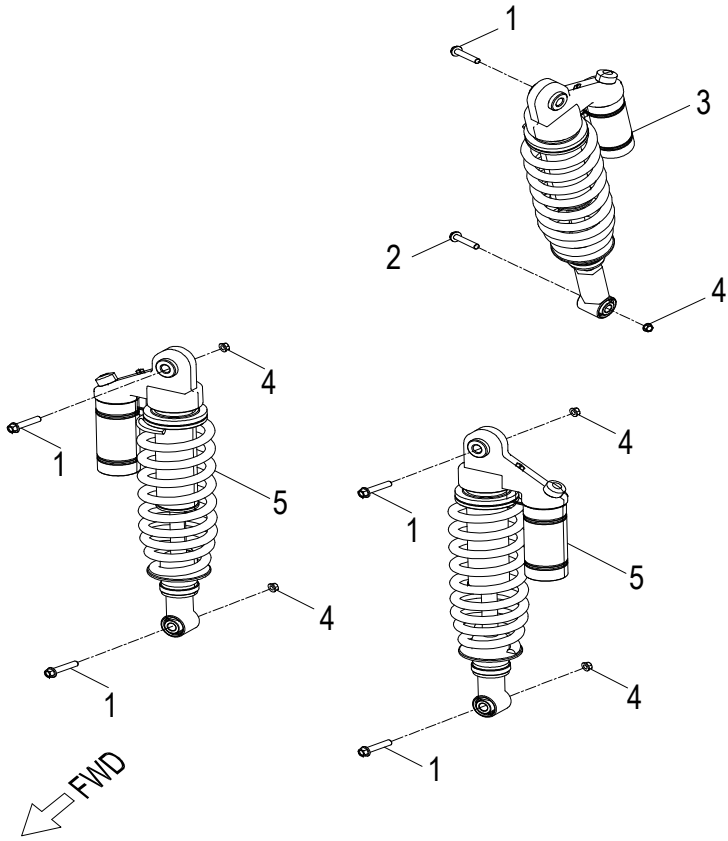


**D-22:FUEL TANK**



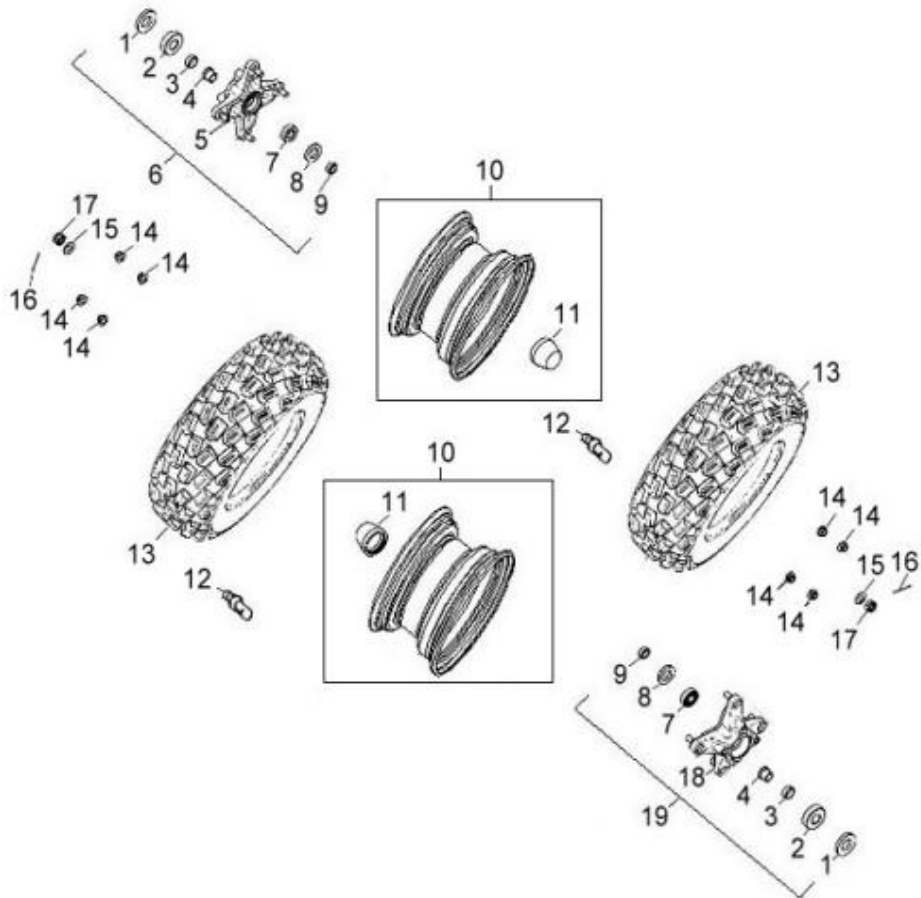
ITEM	DESCRIPTION	P/N	Q"TY	Note
1	Asm., Cap, Fuel Tank	17620202-000	1	Incl. 1
2	Bolt	92005-060168-00K	2	1.0*16L W/W:
3	Bolt	93100-050168-00K	4	M5*P0.8*16L
4	Sensor, Fuel	37800202-000	1	
5	Clamp	94515-10008	1	
6	Asm., Hose, Fuel	94410-05009-059	1	
7	Fuel Hose, Discharge	17532229-000	1	
8	Clip	94510-08008	1	
9	Filter, Fuel	17952111-000	1	
10	Clamp	1795955E-000	1	
11	Clamp	94510-08000	4	
12	Fuel hose	94401-05009-040	1	
13	Valve, Fuel	17950111-000	1	
14	Fuel hose	94401-05009-205	1	
15	Decal, Insulation	87011224-000	1	
16	Asm., Tank, Fuel	1750062E-001	1	

ITEM	DESCRIPTION	P/N	Q"TY	Note
1	Bolt	96000-100508-OKL	5	M10*P1.25*50
2	Bolt	96000-100608-OKL	1	M10*P1.25*60
3	Asm., Suspension, Rear	52400246-293	1	
4	Nut	94050-10000-00C	5	M10*P1.25
5	Asm., Suspension, Front	51100248-293	2	



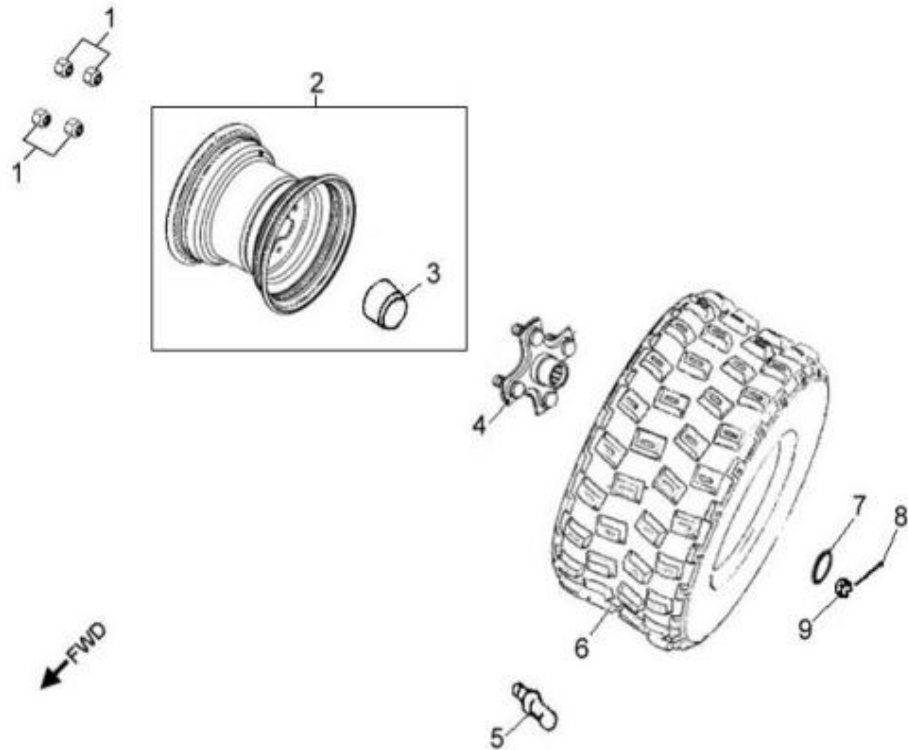
**D-24:FRONT WHEEL**

ITEM	DESCRIPTION	P/N	Note
1	Seal, Oil	96500-25470700000	25* φ 47*t0.7
2	Bearing, Ball	96100-62040-Z0000	
3	Spacer	4431139A-000	
4	Spacer	4431539A-000	
5	Hub, Wheel, Front	42010204-000	
6	Asm., Hub, Rh	42721206-000	
7	Bearing, Ball	0490005-000	
8	Seal, Oil	96500-223806A7271	ψ22* φ 38*6
9	Spacer	4431239A-000	
10	Front Rim	42702209-000	
11	Dust Cover, Hub	42717206-000	
12	Valve, Rim	42616131-000	
13	Tire	42711259-000	
14	Nut	95112-10000-14B	
15	Washer	94121-1426016-000	14* φ 26*t1.6
16	Pin, Cotter	94201-32320	
17	Shaft, Prob	90353-14015-00C	
18	Hub, Wheel, Front	4201039A-000	
19	Asm., Hub, Lh	42710206-000	

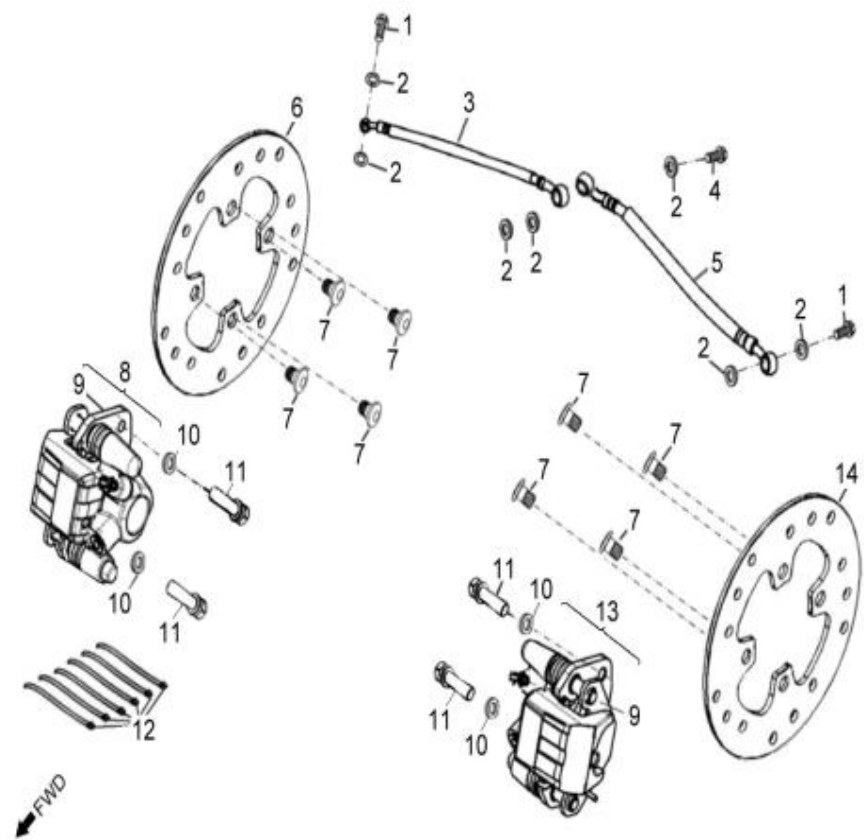


**D-25:REAR WHEEL**

ITEM	DESCRIPTION	P/N	Note
1	Nut	95112-10000-14B	
2	Rear Rim(Aluminum)	42802209-000	
3	Dust Cover, Hub	42717207-000	
4	Hub, Wheel, RH	4202039A-000	
5	Valve, Rim	42616131-000	
6	Tire	42811254-000	
7	Washer	94121-1835200-000	φ18*φ35*t2
8	Pin, Cotter	94201-32320	
9	Shaft, Prob	90353-18000-00C	

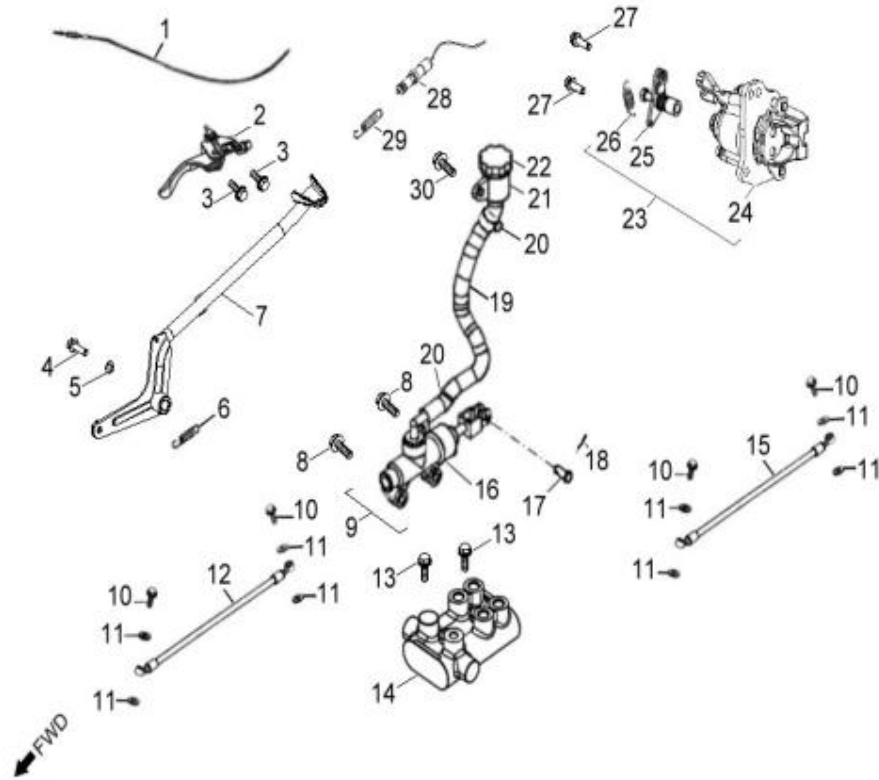


**D-26:FRONT BRAKE**



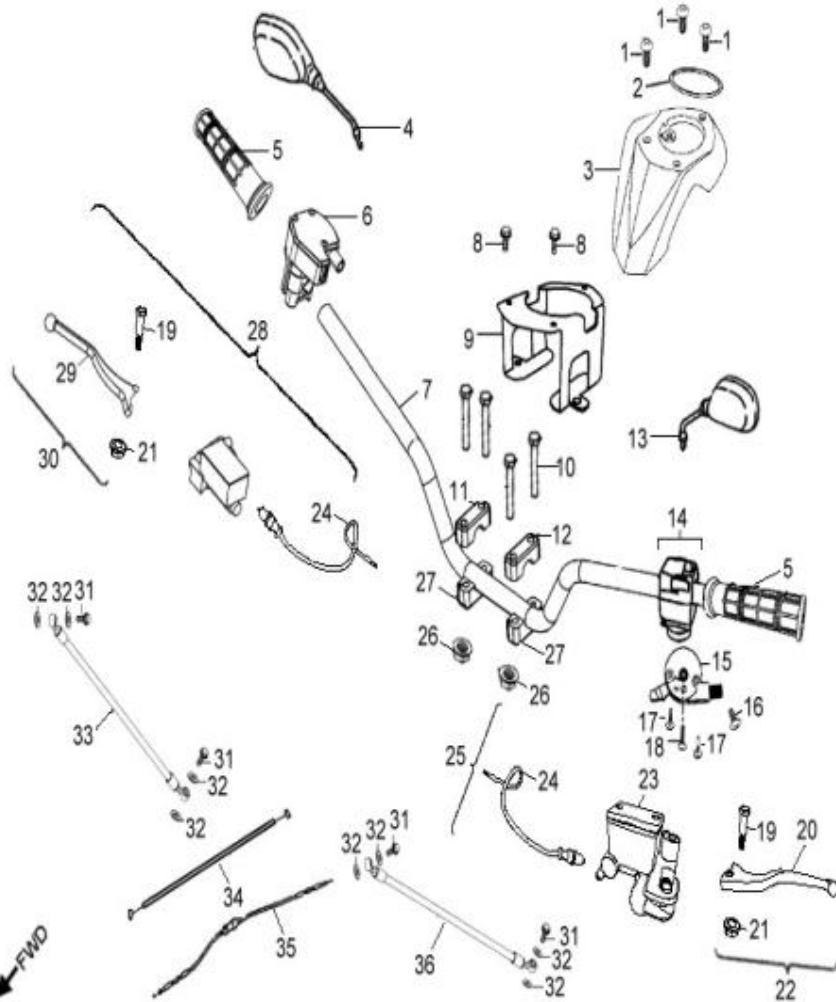
ITEM	DESCRIPTION	P/N	Q"TY	Note
1	Bolt, Banjo	45456206-000	2	
2	Washer	94101-1015012-U0B	7	0.1*φ 15*t1
3	Hose, Brake	45447229-000	1	
4	Bolt, Banjo	45456202-000	1	
5	Hose, Brake	45447228-000	1	
6	Disc, Brake, RH	4502339A-000	1	
7	Bolt	45016131-00K	8	
8	Asm., Caliper, RH	45002206-000	1	
9	Pads, Caliper, Front	43121202-000	2	
10	Washer	94101-0816020-00C	4	φ8*φ 16*t2
11	Screw	96002-080308-00K	4	M8*P1.25*30L
12	Strap	89569131-000	6	ALT-200M-B
13	Asm., Caliper, LH	45001206-000	1	
14	Disc, Brake, LH	4502239A-000	1	

**D-27:REAR BRAKE**



ITEM	DESCRIPTION	P/N	Q"TY	Note
1	Cable, Parking Brake	38706206-001	1	
2	Lever, Parking Brake	3871055E-000	1	
3	Bolt	91000-060208-00K	2	
4	Bolt	96000-080168-OKL	1	M8*P1.25*16L
5	Washer	94101-0822020-00C	1	φ8* φ 22*t2
6	Spring	43421206-000	1	
7	Pedal, Brake	43456214-000	1	
8	Bolt	92001-080258-OKL	2	M8*P1.25*25L
9	Asm., Master Cylinder	4350055E-000	1	
10	Bolt, Banjo	45456111-000	4	
11	Washer	94101-1015012-U0B	8	0.1* φ 15*t1
12	Hose, Brake	45447230-000	1	
13	Bolt	91000-080408-00C	2	M8*P1.25*40L
14	Brake Shunt	45470201-000	1	
15	Hose, Brake	45447231-000	1	
16	Master Cylinder	4350155E-000	1	
17	Pin	94302-07018	1	
18	Pin	43480201-000	1	
19	Hose, Brake	45447210-000	1	
20	Clamp	94515-12008	2	12*8
21	Oil Tank, Brake	43503204-000	1	
22	Cap, Oil Tank	43016201-000	1	
23	Asm., Caliper, Rear	45000209-000	1	
24	Pad, brake, Rear	43120212-000	1	
25	Swing Arm, Caliper	43532203-000	1	
26	Spring	43421209-000	1	
27	Bolt	96000-100258-OKL	2	M10*P1.25*25L
28	Switch, Brake	34916201-000	1	
29	Spring, Switch	43422202-000	1	
30	Bolt	96000-060128-OKL	1	M6*P1.0*12L

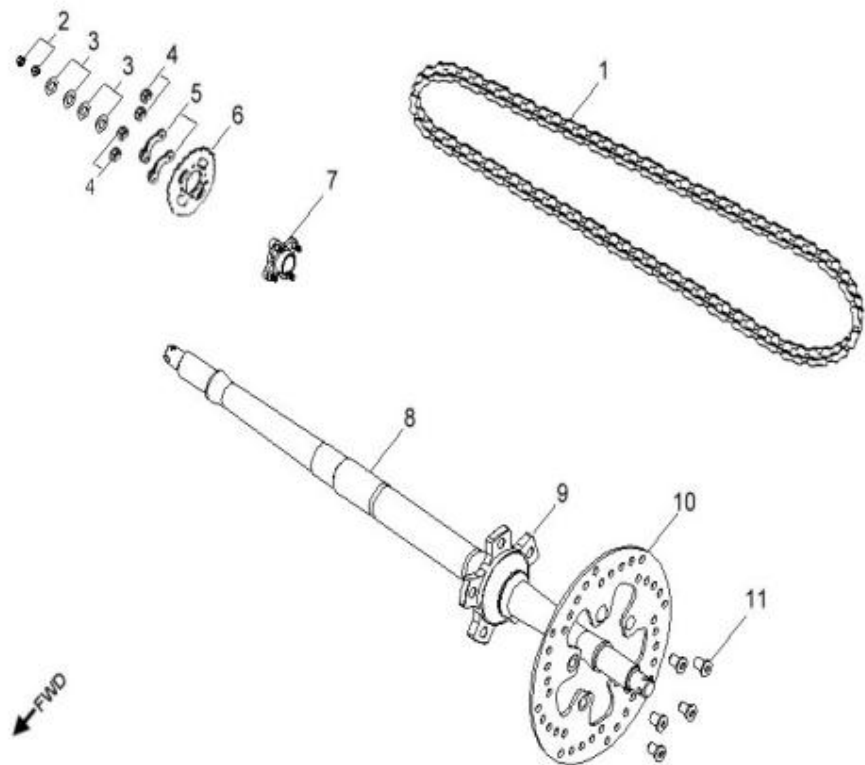
**D-28:HANDLEBAR**



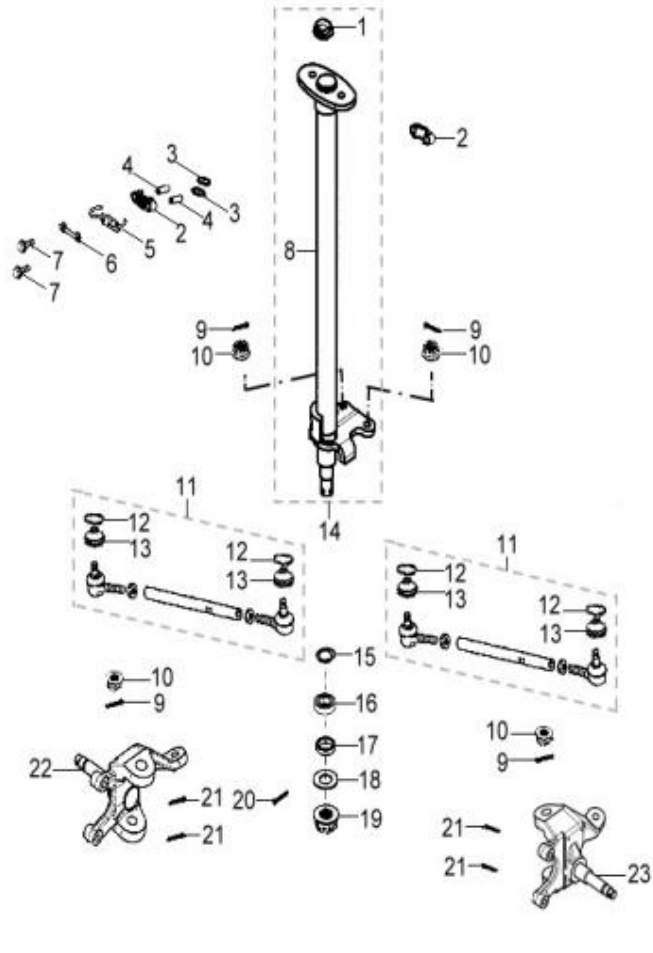
ITEM	DESCRIPTION	P/N	Q"TY	Note
1	Bolt	93100-050128-00K	3	M5*P0.8*12L
2	Rubber, Seat	64320201-000	1	
3	Pod, Handlebar	64211210-070	1	
4	Mirror, RH	88110204-000	1	
5	Grip, Handlebar	53167201-000	2	
6	Control, Throttle	5390055E-000	1	
7	Handlebar	53100218-385	1	
8	Bolt	96000-060128-10K	2	M6*P1.0*12L
9	Bracket, Pod	53310221-000	1	
10	Bolt	91000-080258-00K	4	M8*P1.25*25L
11	Clamp, Upper, RH	53210204-000	1	
12	Clamp, Upper, LH	53220204-000	1	
13	Mirror, LH	88120201-001	1	Incl. 14~18
14	Asm., Switch, LH	35151227-001	1	Incl. 15~18
15	Asm., Manual Choke	35160201-000	1	
16	Bolt	93500-030068-00C	1	M3*P0.6*6L
17	Screw	93100-030048-00B	2	M3*P0.6*4L
18	Bolt	93500-060088-00K	1	M6*P1.0*8L
19	Bolt	89220202-000	2	
20	Lever, Brake, LH	53178206-000	1	
21	Nut	94073-06006-00K	2	
22	Asm., Lever, LH	53163206-000	1	Incl. 19~21
23	Master Cylinder, Left	53185219-000	1	
24	Sensor, Taillight	35345201-000	2	
25	Asm., Lever LH	53171219-000	1	
26	Nut	90350-10000-00C	2	M10*P1.25
27	Clamp, Lower	53200204-000	2	
28	Asm., Lever, RH	53172215-000	1	
29	Lever, Brake, RH	53175205-000	1	
30	Asm., Lever, RH	53164205-000	1	Incl. 19, 21, 30
31	Bolt, Banjo	45456111-000	4	
32	Washer	94101-1015012-U0B	8	0.1*φ 15*t1
33	Hose, Brake	45447233-000	1	
34	Choke, Cable, Manual	53922213-000	1	
35	Cable, Throttle	53910222-002	1	
36	Hose, Brake	45447232-000	1	

**D-29:REAR WHEEL AXLE**

ITEM	DESCRIPTION	P/N	Q"TY	Note
1	Asm., Drive Chain	40530218-000	1	
2	Nut	94001-33000-46K	2	
3	Washer	94121-3345012-000	4	33* φ 45*t1.
4	Nut	94002-10000-00C	4	M10*P1.25
5	Washer, Sprocket	41202156-000	2	
6	Sprocket, Drive, Final(32T)	41201156-000	1	
7	Hub, Sprocket	41210156-000	1	
8	Axle	42000228-000	1	
9	Hub, Disc	43490206-000	1	
10	Disc, Brake	43511202-000	1	
11	Bolt	45016131-00K	5	





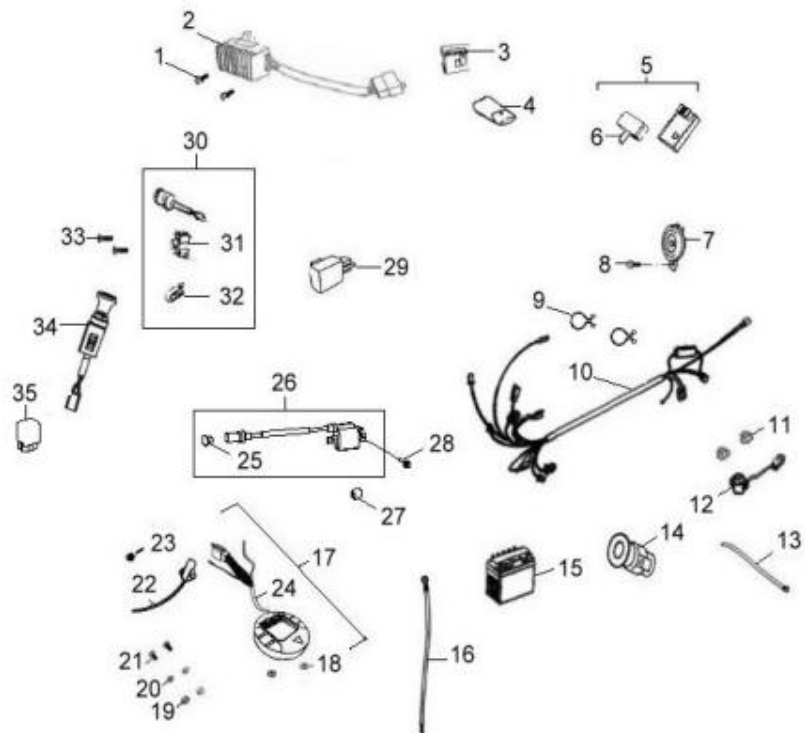


ITEM	DESCRIPTION	P/N	Q"TY	Note
1	Cap, Rubber	19611202-000	1	
2	Clamp, steering	53500156-000	2	
3	Sleeve, Steering Shaft	51220156-000	2	
4	Spacer	51317156-000	2	
5	Bracket, Wire Collector	51318156-000	1	
6	Washer, Lock	51319156-000	1	
7	Bolt	92000-080608-00B	2	M8*P1.25*60L
8	Shaft, Steering	51112222-385	1	
9	Pin, Cotter	94201-25190	4	
10	Nut	90352-10000-00C	4	M10*P1.25
11	Asm., Tie Rod	53410220-000	2	
12	Clamp	94514-09255	4	
13	Boot	16129201-000	4	
14	Shaft, Steering	51107222-385	1	
15	Clip, Cir	94512-4200R	1	
16	Bearing, Ball	0490004-000	1	
17	Spacer	44311201-000	1	
18	Washer	94121-1835200-000	1	p18* φ 35*t2
19	Shaft, Prob	90353-18000-00C	1	
20	Pin, Cotter	94201-32320	1	
21	Pin, Cotter	94201-23250	4	
22	Asm., Steering Knuckle, RH	51330210-000	1	
23	Asm., Steering Knuckle, LH	51325209-000	1	

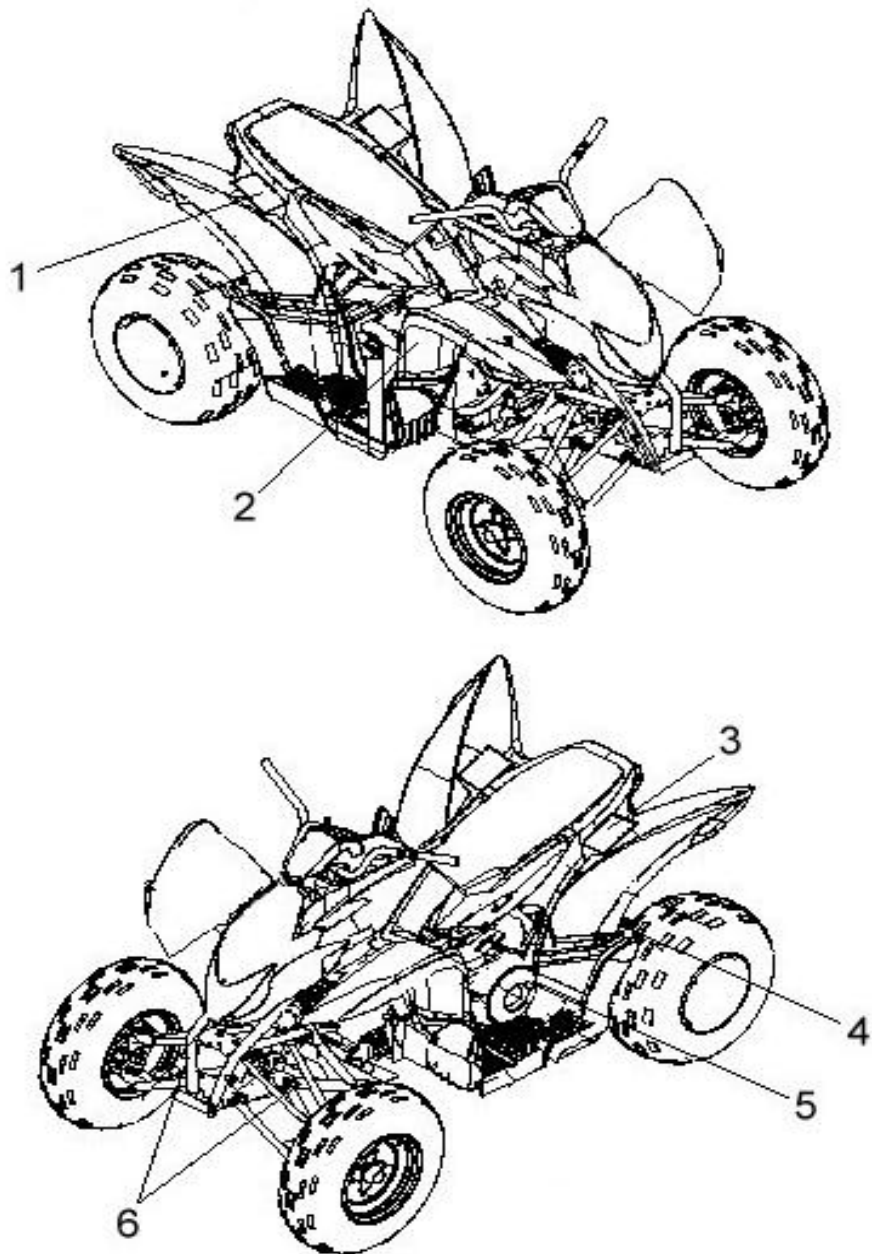
**D-31:LIGHTS**

ITEM	DESCRIPTION	P/N	Q"TY	Note
1	Asm., Taillight	33700202-000	1	
2	Washer	94101-0519010-00K	4	5.1* φ 19*t1
3	Nut	94050-05000-00C	4	M5*P0.8
4	Washer	94101-0412010-00K	2	φ4* φ 12*t1
5	Bracket, Reflector	33408202-000	2	
6	Reflector	33741131-000	2	
7	Screw, Tapping	93906-1040168-00K	2	
8	Bolt	93100-050128-00K	6	M5*P0.8*12L
9	Bracket, Signal, Rear	33406201-000	2	
10	Asm., Signal, Rear, LH	33850206-000	1	
11	Bulb, Signal	33905202-000	4	10W
12	Boot	51200203-000	2	
13	Asm., Signal, Front, LH	33450208-000	1	Incl. 18 & 20
14	Bracket, Front Signal, LH	33416204-000	1	
15	Screw, Tapping	93906-1040128-00K	8	
16	Housing, Headlight	33110205-000	1	
17	Bulb, Headlight	34901205-000	1	35W
18	Bulb, Parking	34909180-000	1	5W
19	Socket, Headlight	33111204-000	1	
20	Asm., Headlight	33100209-000	1	Incl. 23~26
21	Asm., Signal, Rear, RH	33800206-000	1	
22	Bracket, Front Signal, RH	33415204-000	1	
23	Asm., Signal, Front, RH	33400208-000	1	Incl. 18 & 20





ITEM	DESCRIPTION	P/N	Q"TY	Note
1	Bolt	96000-060128-10K	2	M6*P1.0*12L
2	Rectifier/ Regulator	31600215-000	1	
3	Fuse Box	32109205-000	1	
4	Pouch, Tool	89120215-000	1	
5	Asm., CDI Unit	30410246-000	1	
6	Pad, Rubber	30411206-000	1	
7	Horn	38110204-000	1	
8	Bolt	96000-080128-OKL	1	M8*P1.25*12L
9	Cable	89755204-000	2	
10	Harness, Main Wire	32100274-002	1	
11	Nut	94050-06000-00K	2	M6*P1.0
12	Starter Relay	38501205-000	1	
13	Strap	89569131-000	39	ALT-200M-B
14	Relay, Signal	38302202-000	1	
15	Battery	3150039A-000	1	12AH
16	Asm., Battery Cable	32001211-000	1	
17	Asm., Speedometer	37200218-000	1	
18	Washer	94101-0613010-00B	2	
19	Nut	94001-06000-10B	2	
20	Washer, Spring	94111-0412010-00B	2	
21	Bolt	93500-040128-00B	2	
22	Sensor, Speedometer	37206201-000	1	
23	Magnet, Speedometer	37203206-000	1	
24	Speedometer	37205209-000	1	
25	Insulator Coil	3060550T-000	1	
26	Asm., Ignition Coil	30510212-000	1	
27	Rubber, Ignition Coil	3070450T-000	1	
28	Bolt	96000-060208-10K	2	M6*P1.0*20L
29	Relay, Parking	38701202-000	1	
30	Asm., Main Switch	35100252-000	1	
31	Lock, Steering	35106208-000	1	
32	Clip, Main Switch	35101131-000	1	
33	Bolt	93100-050128-00K	2	M5*P0.8*12L
34	Power Supplier	38130179-000	1	
35	Relay, Thermo Switch	5042951T-000	1	



Item	Description	Part number	Q.ty	Note
1	Decal, Waring, Y-16	87851173-000	1	
2	Decal , Waring, Reverse	87854202-000	1	
3	Decal, General Waring	87852159-000	1	
4	Decal, Waring, Chain	87858156-000	1	
5	Decal-"drain bolt"	87843201-000	1	
6	Decal, AEON, Logo	87711262-S87	3	
-	Whole Kit, Racing Decal	99700210-000	1	