

elite

350i
AEON

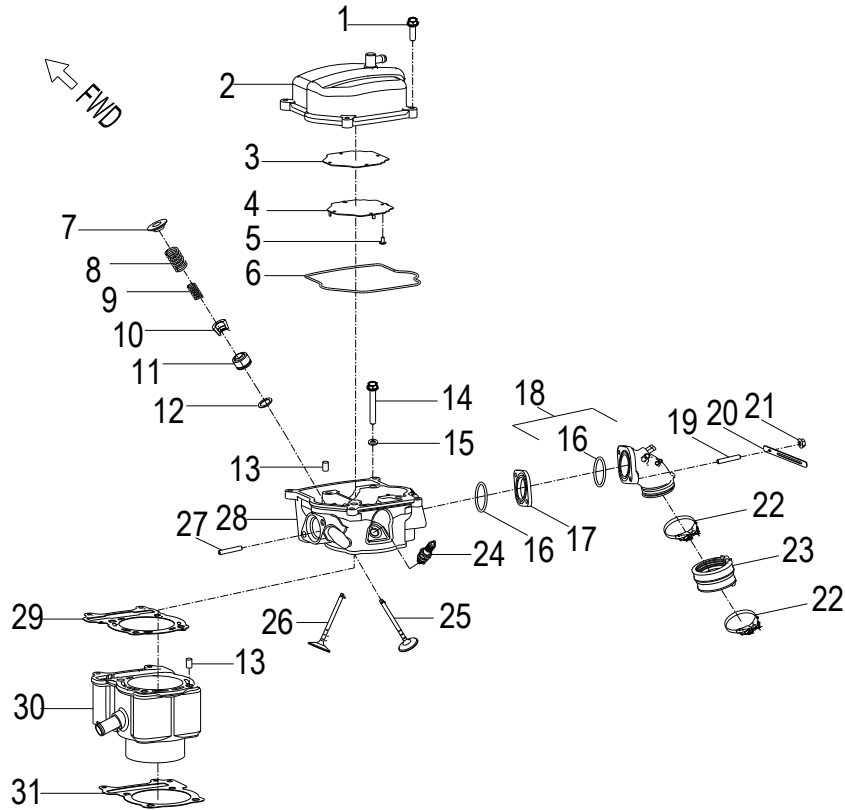


VIN Nंबर:

RF3SA3410ATXXXXXX

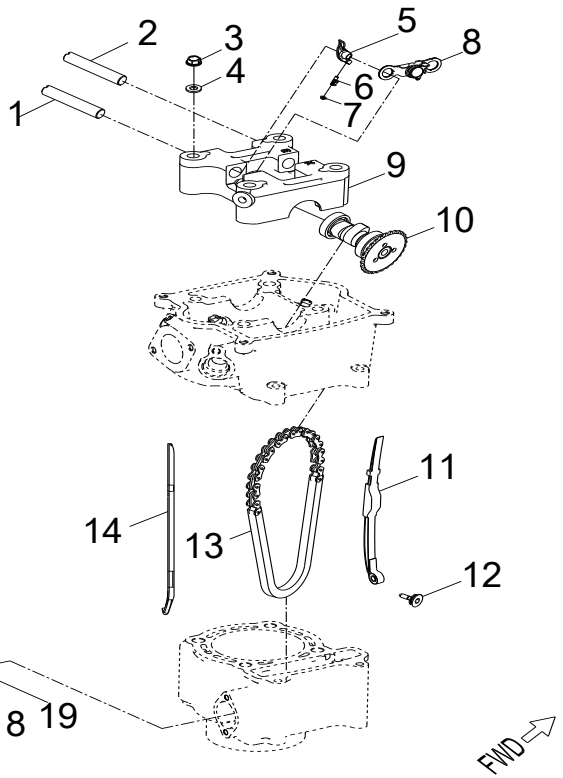


D-1: CYLINDER HEAD



| Item | Description | Part Number | Q.ty | Note |
|------|----------------------------|-------------------|------|----------|
| 1 | Bolt | 96000-060258-08C | 4 | M6x25 |
| 2 | Cover, Cylinder Head | 1230962E-000 | 1 | |
| 3 | Gasket | 1230350A-000 | 1 | |
| 4 | Breather, Crankcase, Lower | 1230250A-000 | 1 | |
| 5 | Screw | 93903-1040088-00K | 4 | M4x8 |
| 6 | Gasket , Head Cover | 1239162E-000 | 1 | |
| 7 | Retainer, Valve, Spring | 1477162B-000 | 2 | |
| 8 | Spring, Valve, Outer | 1475162B-000 | 2 | |
| 9 | Spring, Valve, Inner | 1476162B-000 | 2 | |
| 10 | Clip, Retainer | 1478162B-000 | 4 | |
| 11 | Seal, Valve | 1220962B-000 | 2 | |
| 12 | Seat, Valve, Spring, Outer | 1477562B-000 | 2 | |
| 13 | Pin, Dowel | 94301-10140 | 6 | 10x14 |
| 14 | Bolt | 96000-061108-08C | 2 | M6x110 |
| 15 | Washer | 94101-0613010-00C | 2 | 6.1x13x1 |
| 16 | O-Ring | 93210-03830 | 2 | |
| 17 | Insulator, Manifold | 1711262U-000 | 1 | |
| 18 | Asm., Manifold, Intake | 1710062U-EFI | 1 | |
| 19 | Stud | 91001-060408-00C | 2 | |
| 20 | Strap | 89669227-000 | 2 | |
| 21 | Nut | 94050-06000-00C | 2 | M6 |
| 22 | Strap | 94520-04064 | 2 | |
| 23 | Adapter, Carburetor | 1614662U-000 | 1 | |
| 24 | Plug, Spark | 9807650A-000 | 1 | DPR7EA-9 |
| 25 | Valve, Exhaust | 1472162B-000 | 1 | |
| 26 | Valve, Intake | 1471162B-000 | 1 | |
| 27 | Stud | 91001-080328-00C | 2 | M8x32 |
| 28 | Head, Cylinder | 1220162B-EFI | 1 | |
| 29 | Gasket Set | 1225062E-000 | 1 | |
| 30 | Cylinder | 1210062E-000 | 1 | |
| 31 | Gasket, Cylinder | 1219162E-001 | 1 | |

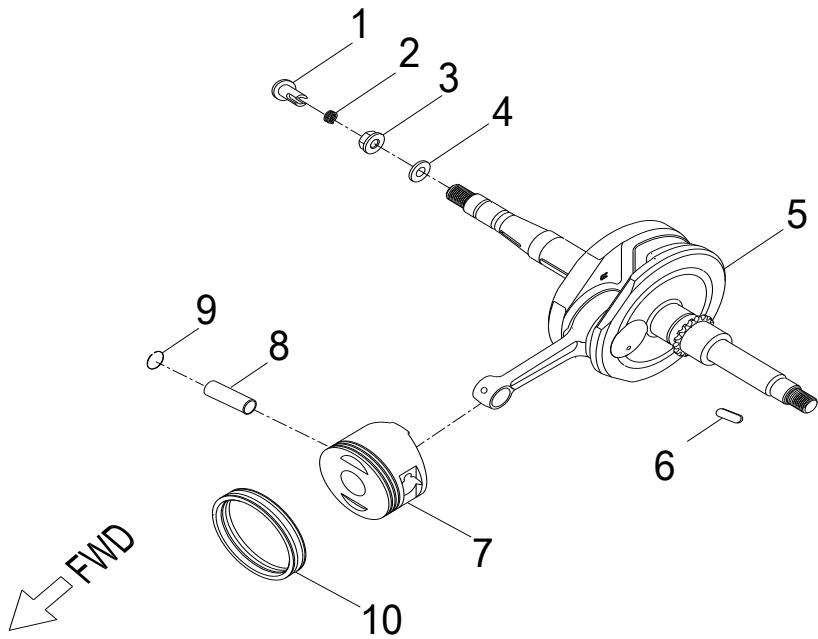
D-2: VALVE CAM



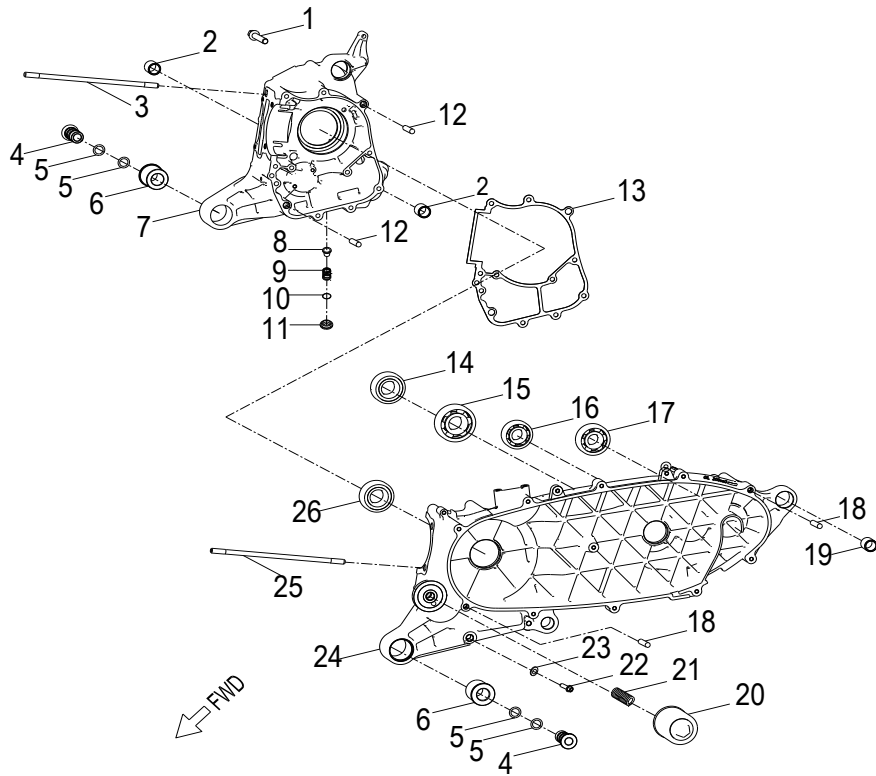
| Item | Description | Part Number | Q.ty | Note |
|------|----------------------------|-------------------|------|----------|
| 1 | Shaft, Intake, Rocker Arm | 1445250A-000 | 1 | |
| 2 | Shaft, Exhaust, Rocker Arm | 1445362E-000 | 1 | |
| 3 | Nut | 94050-08000-00C | 4 | M8 |
| 4 | Washer | 94101-0818023-00U | 4 | 8x18x2.3 |
| 5 | Arm, Valve, Rocker | 1443162E-000 | 2 | |
| 6 | Screw, Tappet Adj. | 90012-06015 | 2 | |
| 7 | Nut, Tappet Adj. | 90206-05000-00A | 2 | |
| 8 | Asm., Decomp. Release | 1445662E-000 | 1 | |
| 9 | Bracket, Cam Shaft | 1221162E-000 | 1 | |
| 10 | Asm., Cam Shaft | 1440062E-000 | 1 | |
| 11 | Guide, Cam Chain, RH | 1455050A-000 | 1 | |
| 12 | Pivot, Guide | 1453550A-000 | 1 | |
| 13 | Chain, Cam | 1440155S-000 | 1 | |
| 14 | Guide, Cam Chain, LH | 1450055L-000 | 1 | |
| 15 | Screw | 93000-060068-00K | 1 | M6x6 |
| 16 | O-Ring | 93210-00915 | 1 | 9.5x1.5 |
| 17 | Bolt | 96000-060228-14C | 2 | M6x22 |
| 18 | Tensioner | 14521119-000 | 1 | |
| 19 | Gasket, Tensioner | 14523119-002 | 1 | |

D-3: PISTON & CRANKSHAFT

| Item | Description | Part Number | Q.ty | Note |
|------|-----------------------|-------------------|------|-----------|
| 1 | Tube, Oil, Crankshaft | 1544139A-000 | 1 | |
| 2 | Spring, Oil | 1544739A-000 | 1 | |
| 3 | Nut | 94001-14000-00C | 1 | M14 |
| 4 | Washer | 94101-1426020-00C | 1 | 14.2x26x2 |
| 5 | Asm., Crankshaft | 1300062U-000 | 1 | |
| 6 | Key, Woodruff | 90471-25404 | 1 | |
| 7 | Piston | 1310062E-000 | 1 | |
| 8 | Pin, Piston | 1311150A-000 | 1 | |
| 9 | Clip, Piston Pin | 1311550A-000 | 2 | |
| 10 | Ring Set, Piston | 1301162E-000 | 1 | |

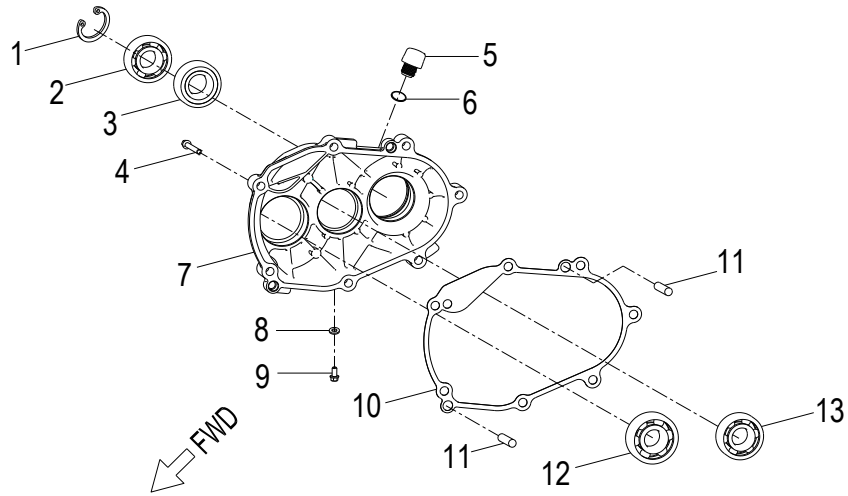


D-4: CRANKCASE



| Item | Description | Part Number | Q.ty | Note |
|------|----------------------|-------------------|------|-------------|
| 1 | Bolt | 96000-060508-08C | 3 | M6x50 |
| 2 | Bush, Kickstand | 1110962U-000 | 2 | |
| 3 | Stud | 91001-082188-00Z | 2 | |
| 4 | Collar, Shaft, Swing | 1123062U-000 | 2 | |
| 5 | O-Ring | 93210-01525 | 4 | |
| 6 | Bush, Rubber | 1120962U-000 | 2 | |
| 7 | Crankcase, Rh | 1110162U-001 | 1 | |
| 8 | Screen | 15421119-000 | 1 | |
| 9 | Spring, Screen | 15426119-000 | 1 | |
| 10 | O-Ring | 93212-03132 | 1 | |
| 11 | Plug, Drain, Oil | 11334119-000 | 1 | |
| 12 | Pin, Dowel | 94301-10140 | 2 | 10x14 |
| 13 | Gasket | 1119162U-000 | 1 | |
| 14 | Seal, Oil | 96500-253807F5850 | 1 | 25x38x7 |
| 15 | Bearing, Ball | 96100-63050-00000 | 1 | |
| 16 | Bearing, Ball | 96100-62040-00000 | 1 | |
| 17 | Bearing, Ball | 96100-63040-00000 | 1 | |
| 18 | Pin, Dowel | 94301-08140 | 2 | |
| 19 | Bushing | 96400-102828 | 1 | |
| 20 | Filter, Oil | 1550039A-000 | 1 | |
| 21 | Bolt, Oil Filter | 1110539A-000 | 1 | |
| 22 | Bolt | 96003-120158-17C | 1 | M12x15 |
| 23 | Washer | 94101-1221320-00L | 1 | 12.1x21.3x2 |
| 24 | Crankcase, Lh | 1120162U-000 | 1 | |
| 25 | Stud | 91001-082258-00Z | 2 | |
| 26 | Seal, Oil | 96500-284808FKM | 1 | |

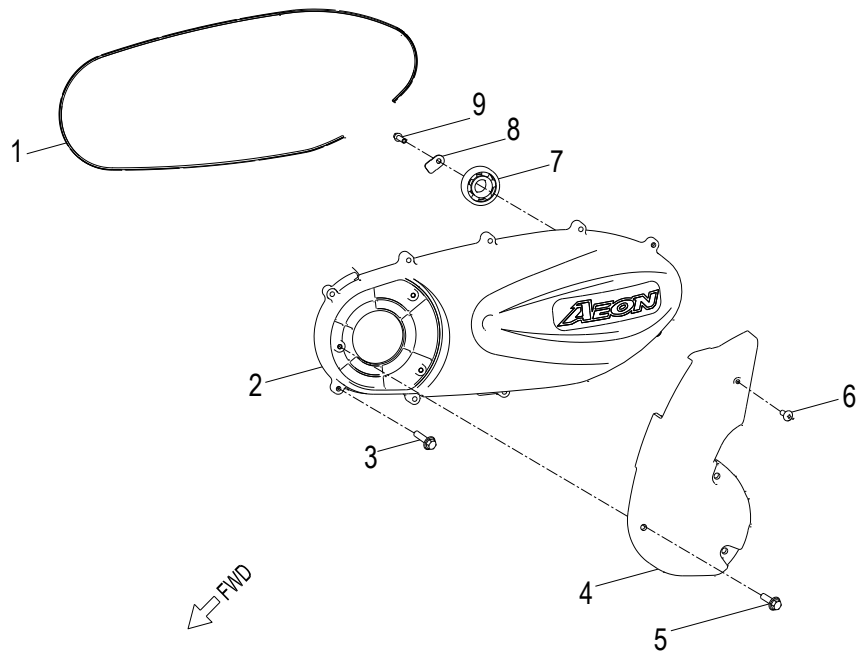
D-5: TRANSMISSION COVER



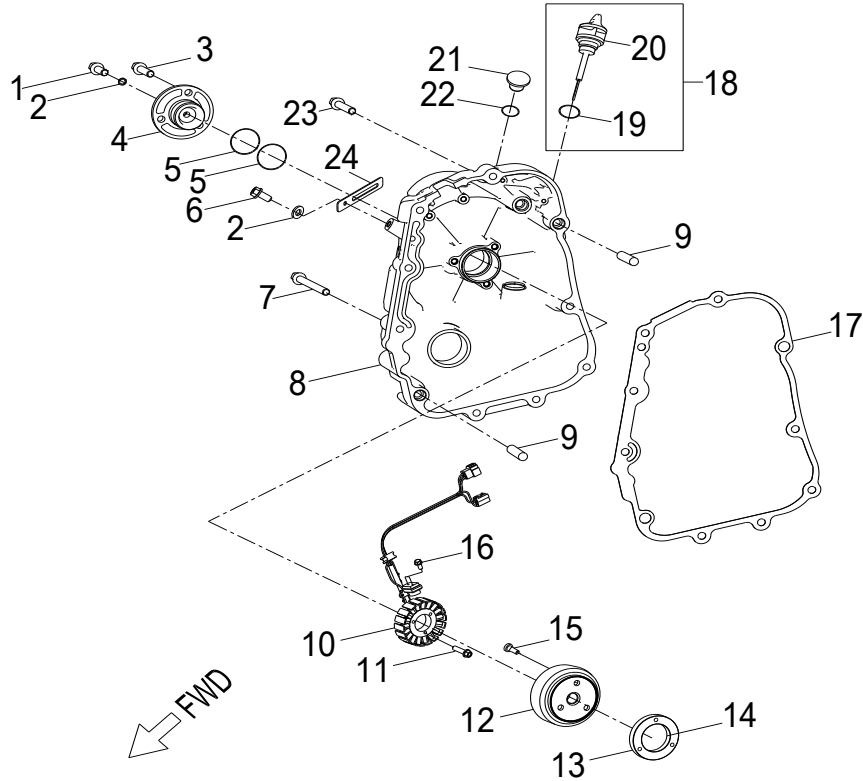
| Item | Description | Part Number | Q.ty | Note |
|------|----------------------------|-------------------|------|-------------|
| 1 | Clip, Cir | 94512-5200R | 1 | |
| 2 | Bearing, Ball | 96100-62050-LLU00 | 1 | |
| 3 | Seal, Oil | 96500-354707A7271 | 1 | |
| 4 | Bolt | 96000-080358-00C | 7 | |
| 5 | Plug, Oil | 15650111-001 | 1 | |
| 6 | O-Ring | 93210-01425 | 1 | 13.8x2.5 |
| 7 | Cover, Transmission | 2130162U-000 | 1 | |
| 8 | Washer | 94101-1221320-00L | 1 | 12.1x21.3x2 |
| 9 | Bolt | 96000-120158-14C | 1 | M12x15 |
| 10 | Gasket, Transmission Cover | 2139562U-000 | 1 | |
| 11 | Pin, Dowel | 94301-10140 | 2 | 10x14 |
| 12 | Bearing, Ball | 96100-63040-00000 | 1 | |
| 13 | Bearing, Ball | 96100-62040-00000 | 1 | |

D-6: LEFT CRANKCASE COVER

| Item | Description | Part Number | Q.ty | Note |
|------|---------------------|-------------------|------|-------|
| 1 | Gasket | 1135962U-000 | 1 | |
| 2 | Cover, Clutch | 1134162U-000 | 1 | |
| 3 | Bolt | 96000-060358-08C | 11 | M6x35 |
| 4 | Guard, Clutch Cover | 1134262U-000 | 1 | |
| 5 | Bolt | 96000-060228-00K | 3 | M6x22 |
| 6 | Bolt | 93100-050128-00K | 1 | M5x12 |
| 7 | Bearing, Ball | 96100-69040-LLU00 | 1 | |
| 8 | Stop Plate | 2341262U-000 | 1 | |
| 9 | Bolt | 96000-060108-08C | 1 | M6x10 |

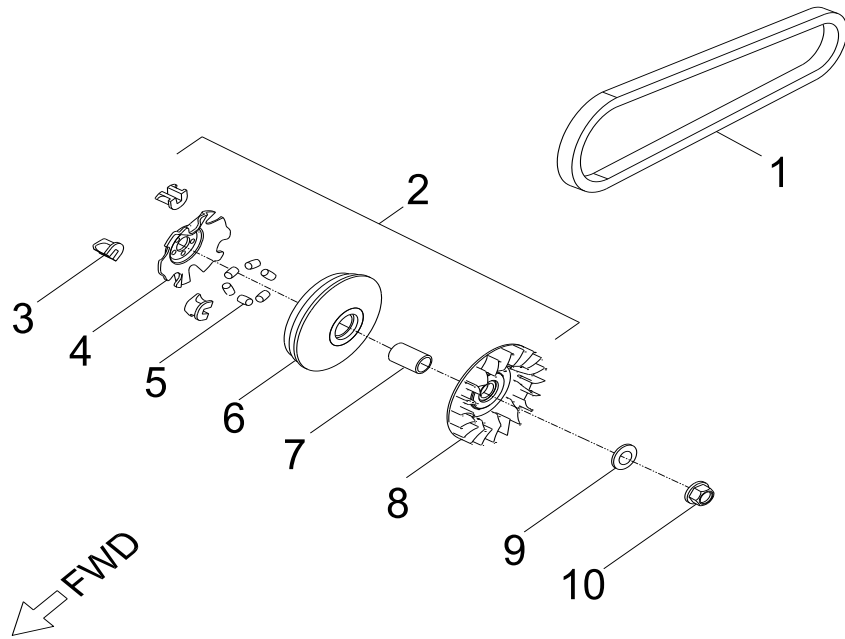


D-7: RIGHT CRANKCASE COVER



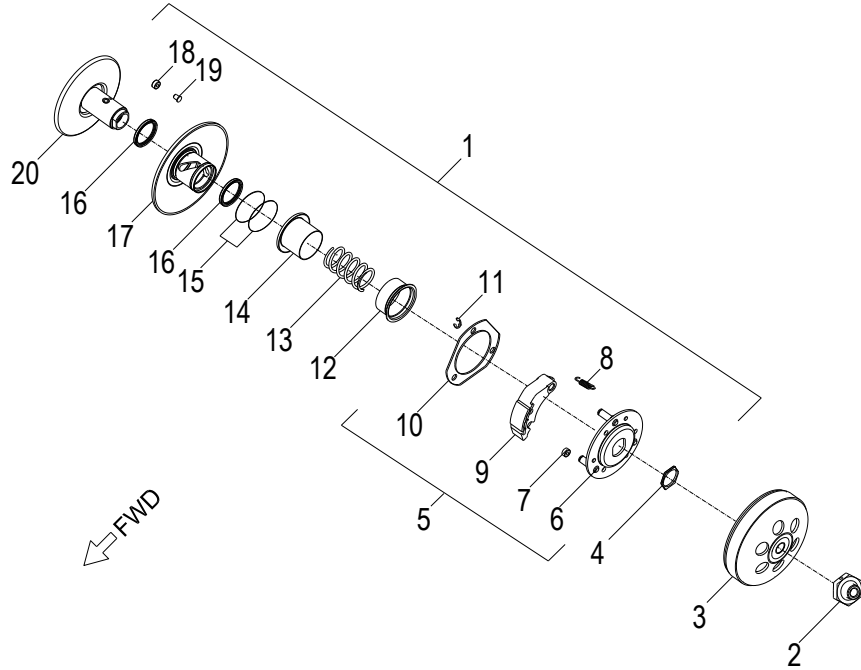
| Item | Description | Part Number | Q.ty | Note |
|------|-----------------------|-------------------|------|-----------|
| 1 | Bolt | 96000-060088-00K | 1 | M6x8 |
| 2 | Washer | 94101-0612010-00U | 2 | 6.5x12x1 |
| 3 | Bolt | 96000-060168-08C | 3 | M6x16 |
| 4 | Cap, Cover, RH | 1133239A-000 | 1 | |
| 5 | O-Ring | 93212-02720 | 2 | |
| 6 | Bolt | 96000-060108-10K | 1 | |
| 7 | Bolt | 96000-061359-08G | 8 | |
| 8 | Crankcase Cover, Rh | 1133562U-000 | 1 | |
| 9 | Pin, Dowel | 94301-10140 | 2 | 10x14 |
| 10 | Stator | 3112062U-EFI | 1 | |
| 11 | Screw | 91300-050258-00C | 3 | M5x25 + w |
| 12 | Flywheel | 3111062U-EFI | 1 | |
| 13 | Outer, One Way | 2812162N-000 | 1 | |
| 14 | Asm., Rollor, One Way | 2813050B-000 | 1 | |
| 15 | Bolt | 91005-080188-00C | 3 | M8x18 |
| 16 | Bolt | 92000-050128-00C | 2 | M5x12 |
| 17 | Gasket, Crankcase, RH | 1139362U-000 | 1 | |
| 18 | Gauge, Oil Lever | 15650201-000 | 1 | |
| 19 | O-Ring | 93212-01835 | 1 | |
| 20 | Dipstick | 15651201-000 | 1 | |
| 21 | Cap | 96600-14095000000 | 1 | |
| 22 | O-Ring | 93210-01425 | 1 | 13.8x2.5 |
| 23 | Bolt | 96000-060358-08C | 2 | M6x35 |
| 24 | Strap | 89669227-000 | 1 | |

D-8: DRIVE CLUTCH



| Item | Description | Part Number | Q.ty | Note |
|------|-------------------------------|-------------------|------|-----------|
| 1 | Belt, Driven | 2310062U-000 | 1 | |
| 2 | Asm., Sliding | 2210362N-000 | 1 | |
| 3 | Bushing, Slider | 2213250A-000 | 3 | |
| 4 | Plate, Sheave | 2213150A-000 | 1 | |
| 5 | Roller | 2212150A-000 | 6 | |
| 6 | Wheel, Slot, Sliding, Primary | 2211050A-000 | 1 | |
| 7 | Bushing, Sheave | 2210662N-000 | 1 | |
| 8 | Sheave, moveable | 2210262N-000 | 1 | |
| 9 | Washer | 94121-1426016-000 | 1 | 14x26x1.6 |
| 10 | Nut | 94050-14021-00C | 1 | |

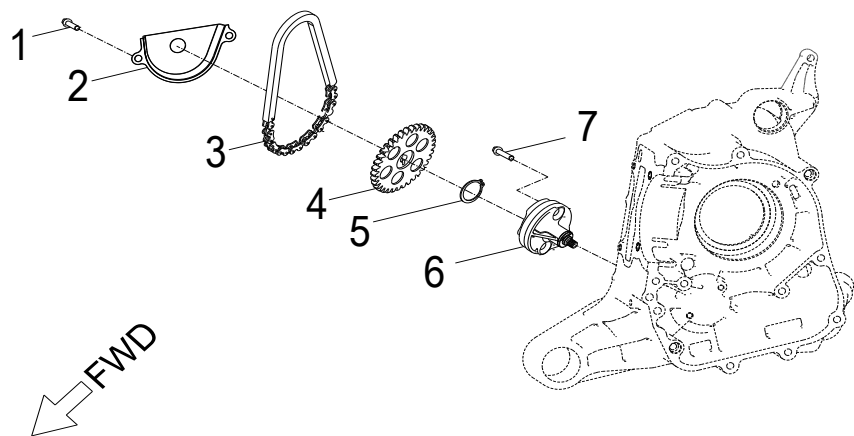
D-9: DRIVEN CLUTCH



| Item | Description | Part Number | Q.ty | Note |
|------|---------------------|-----------------|------|------|
| 1 | Asm., Drive Clutch | 2200062N-001 | 1 | |
| 2 | Nut, Driven | 2210562U-000 | 1 | |
| 3 | Clutch, Outer | 2210062N-001 | 1 | |
| 4 | Nut | 95111-0001C-000 | 1 | M28 |
| 5 | Asm., Driven Clutch | 2200162N-000 | 1 | |
| 6 | Plate, Drive, Inner | 2235062N-000 | 1 | |
| 7 | Bushing, Rubber | 2280450A-000 | 3 | |
| 8 | Spring, Clutch | 2240162N-000 | 3 | |
| 9 | Weight, Clutch | 2253562N-000 | 3 | |
| 10 | Plate, Drive, Side | 2235162N-000 | 1 | |
| 11 | Clip, Cir | 94511-0700E | 3 | |
| 12 | Seal, Collor | 2323950A-000 | 1 | |
| 13 | Spring, Clutch | 2323350A-000 | 1 | |
| 14 | Seal, Collor | 2323750A-000 | 1 | |
| 15 | O-Ring | 93214-04720 | 2 | |
| 16 | Seal, Oil | 96500-404704FKM | 2 | |
| 17 | Sheave, Moveable | 2322050A-000 | 1 | |
| 18 | Roller, Guide | 2322650A-000 | 3 | |
| 19 | Pin, Guide | 2322550A-000 | 3 | |
| 20 | Sheave, Driven | 2320050A-000 | 1 | |

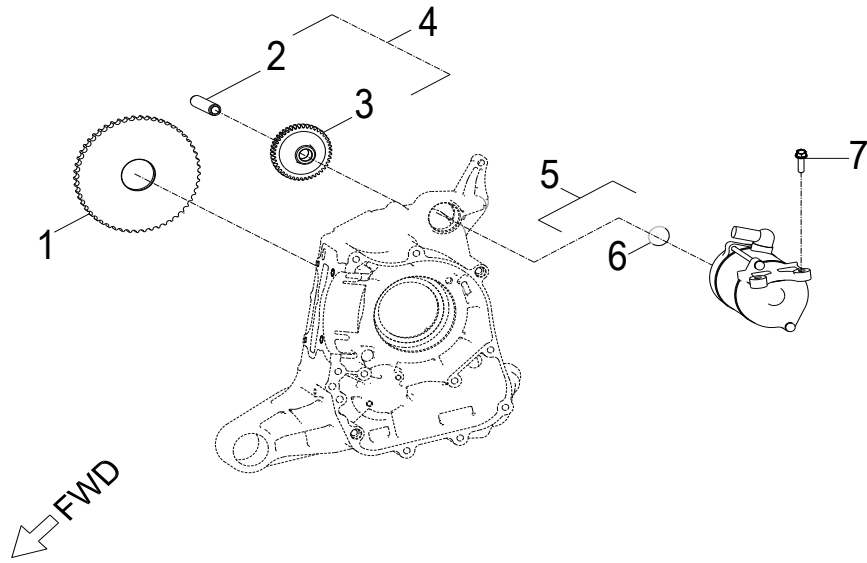
D-10: OIL PUMP

| Item | Description | Part Number | Q.ty | Note |
|------|--------------------|------------------|------|-------|
| 1 | Bolt | 96000-060128-08C | 2 | M6x12 |
| 2 | Cover, Oil Pump | 1571150A-000 | 1 | |
| 3 | Chain, Oil Pump | 1514150A-000 | 1 | |
| 4 | Sprocket, Oil Pump | 1515050A-000 | 1 | |
| 5 | Clip, Cir | 94511-1000S | 1 | |
| 6 | Asm., Oil Pump | 1500050A-000 | 1 | |
| 7 | Bolt | 96000-060308-08C | 2 | M6x30 |



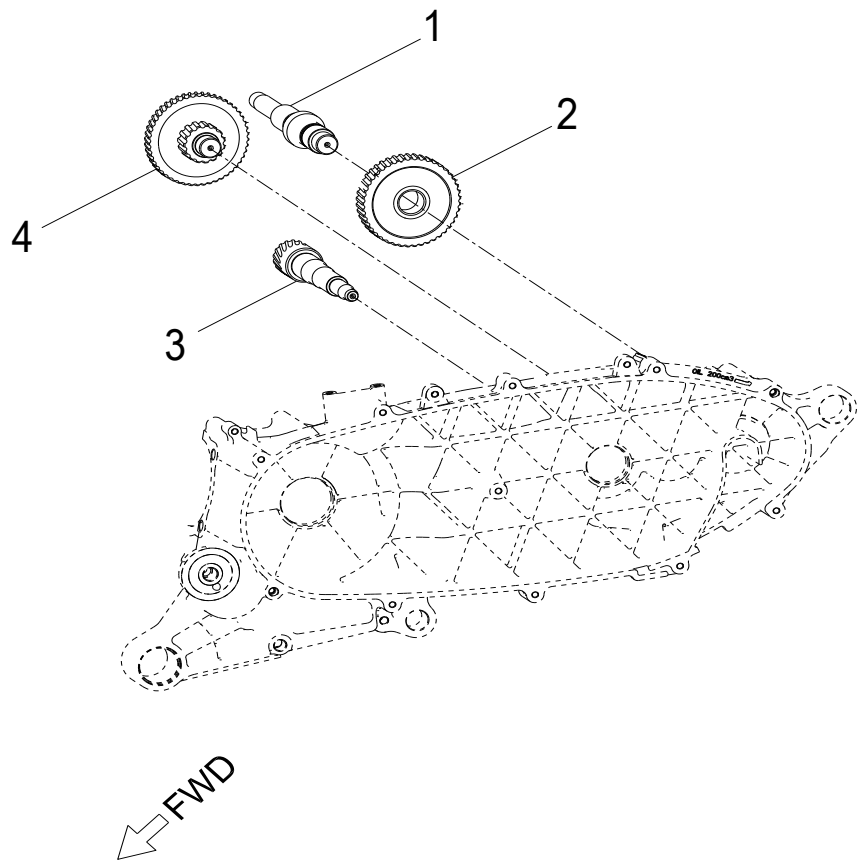
D-11: STARTING MOTOR

| Item | Description | Part Number | Q.ty | Note |
|------|----------------------|------------------|------|-----------|
| 1 | Gear, Starter | 2822062N-000 | 1 | |
| 2 | Shaft, Starter Motor | 2842450A-000 | 1 | |
| 3 | Gear, Starter | 2842350A-000 | 1 | |
| 4 | Asm., Gear Starter | 2842250A-000 | 1 | Incl. 1~2 |
| 5 | Motor, Starter | 3120062N-000 | 1 | |
| 6 | O-Ring | 93210-02431 | 1 | 24.4x3.1 |
| 7 | Bolt | 96000-060208-08C | 2 | M6x20 |

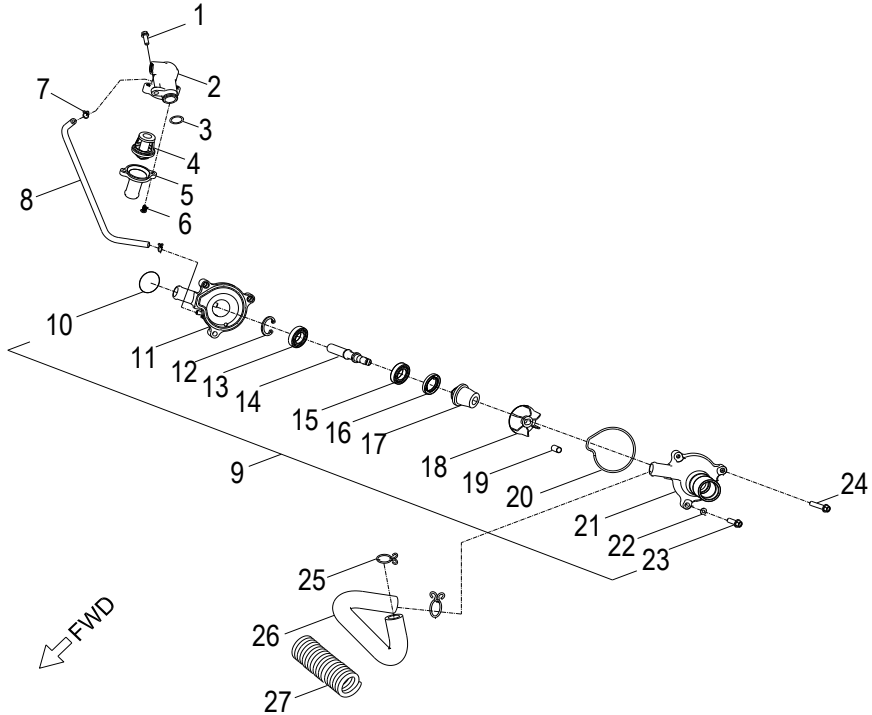


D-12: TRANSMISSION

| Item | Description | Part Number | Q.ty | Note |
|------|----------------------|--------------|------|------|
| 1 | Pinion,Output | 2343162U-000 | 1 | |
| 2 | Gear,Output | 2343262U-000 | 1 | |
| 3 | Shaft, Drive | 2341162U-000 | 1 | |
| 4 | Asm., Shaft, Counter | 2342062U-000 | 1 | |

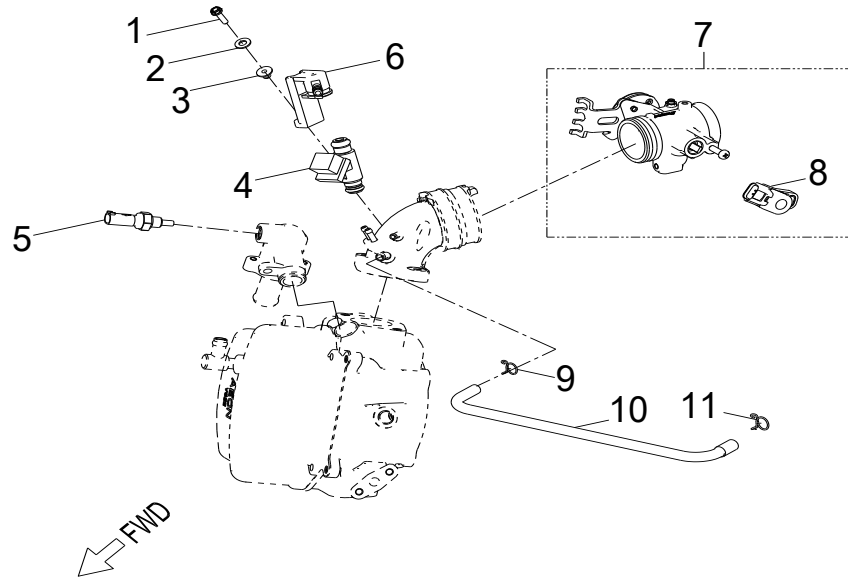


D-13: WATER PUMP



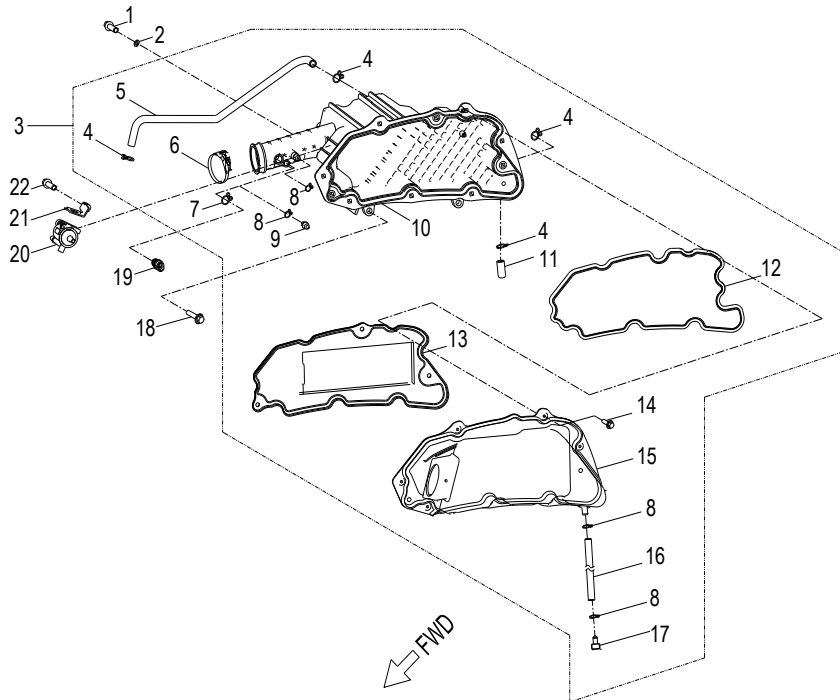
| Item | Description | Part Number | Q.ty | Note |
|------|---------------------------|-------------------|------|----------|
| 1 | Bolt | 96000-060188-08C | 1 | M6x18 |
| 2 | Housing, Thermosatic | 1931162U-000 | 1 | |
| 3 | O-Ring | 93212-01719 | 1 | |
| 4 | Bimetal, Thermosatic | 1930062U-000 | 1 | |
| 5 | Flange, Thermosatic | 1931550A-000 | 1 | |
| 6 | Bolt | 93500-050168-00C | 2 | M5x16 |
| 7 | Clip | 94510-06500 | 2 | |
| 8 | Hose, Bypass, Thermosatic | 1950562U-000 | 1 | |
| 9 | Asm., Water Pump | 1921062U-000 | 1 | |
| 10 | O-Ring | 93210-02920 | 1 | 29x2.0 |
| 11 | Body, Water Pump | 1921150A-000 | 1 | |
| 12 | Clip, Cir | 94512-2600R | 1 | |
| 13 | Bearing, Ball | 96100-60000 | 1 | |
| 14 | Shaft, Water Pump | 1923150A-000 | 1 | |
| 15 | Bearing, Ball | 96100-69010 | 1 | |
| 16 | Seal, Oil | 96500-122207 | 1 | |
| 17 | Seal, Mechanical | 1921750A-000 | 1 | |
| 18 | Impeller, Water Pump | 1921550A-000 | 1 | |
| 19 | Pin, Dowel | 94301-08140 | 2 | |
| 20 | Gasket | 1922950A-000 | 1 | |
| 21 | Flange, Water Pump | 1922162U-000 | 1 | |
| 22 | Washer | 94101-0612010-00U | 1 | 6.5x12x1 |
| 23 | Bolt | 96000-060128-08C | 1 | M6x12 |
| 24 | Bolt | 96000-060408-08C | 3 | M6x40 |
| 25 | Clamp | 1922250A-000 | 2 | |
| 26 | Hose | 1950262U-000 | 1 | |
| 27 | Spring, Coolant Hose | 1950762U-000 | 1 | |

D-14: FUEL INJECTION



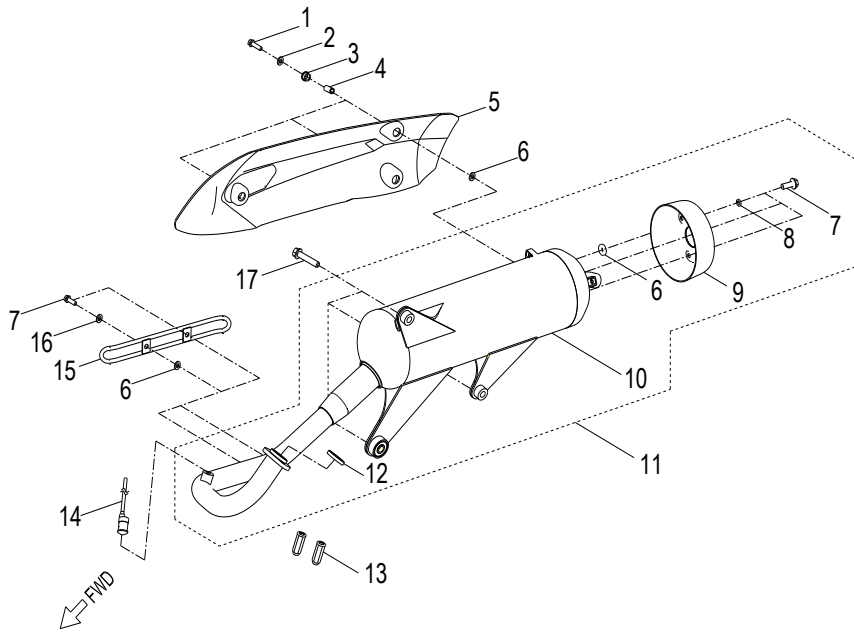
| Item | Description | Part Number | Q.ty | Note |
|------|-----------------------------|-------------------|------|----------|
| 1 | Bolt | 91000-060208-00K | 1 | |
| 2 | Washer | 94101-0613010-00C | 1 | 6.1x13x1 |
| 3 | Washer | 94150-0717050-00K | 1 | 7.1x17x5 |
| 4 | Fuel Injector | 1621062U-000 | 1 | |
| 5 | Sensor, Engine Coolant, ECT | 1935062U-000 | 1 | |
| 6 | Adaptor, Fuel Injector | 1621622R-000 | 1 | |
| 7 | Asm., Throttle Body | 1620062U-000 | 1 | |
| 8 | Switch, Accelerator Pedal | 5391662U-000 | 1 | |
| 9 | Clamp | 94510-08000 | 1 | |
| 10 | Hose, IAC | 1624262U-000 | 1 | |
| 11 | Clip | 94510-10015 | 1 | |

D-15: AIR CLEANER



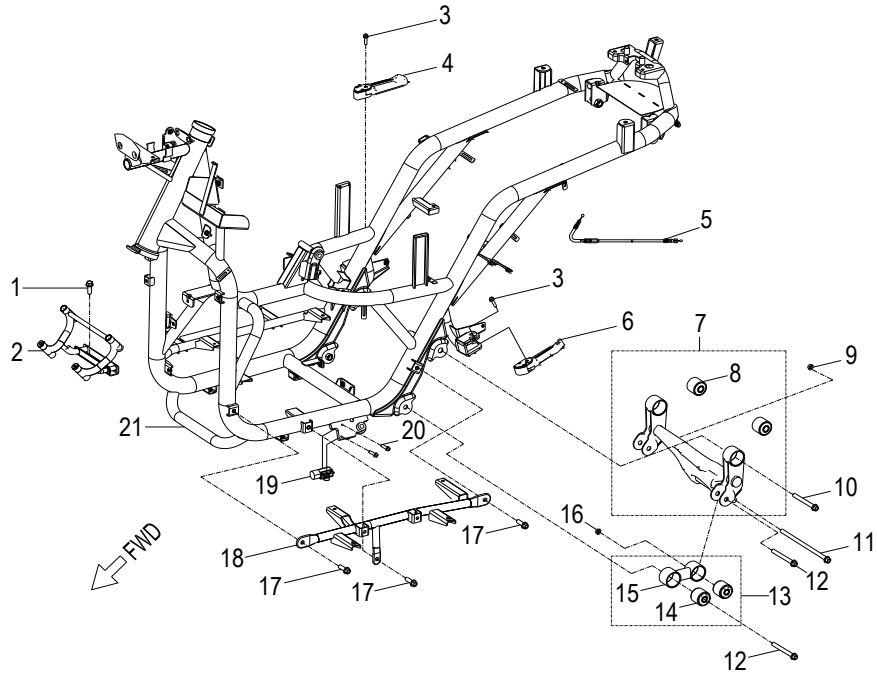
| Item | Description | Part Number | Q.ty | Note |
|------|---------------------------------|-------------------|------|----------|
| 1 | Screw | 93100-050258-00K | 1 | |
| 2 | Washer | 94101-0514010-00K | 1 | 5.1x14x1 |
| 3 | Asm., Cleaner, Air | 1720062U-001 | 1 | |
| 4 | Clip | 94510-14018 | 4 | |
| 5 | Tube, Breather, Ventilated | 1738162U-000 | 1 | |
| 6 | Strap | 89669225-000 | 1 | |
| 7 | Clip | 94510-18018 | 1 | |
| 8 | Clip | 94510-12012 | 4 | |
| 9 | Tube Plug | 4273162U-000 | 1 | |
| 10 | Box, Air Cleaner | 1721862U-000 | 1 | |
| 11 | Hose, Drain | 94404-01014-030 | 2 | |
| 12 | Gasket | 3371662U-000 | 2 | |
| 13 | Filter, Air Cleaner | 1720562U-000 | 1 | |
| 14 | Bolt | 93100-050168-00K | 10 | M5x16 |
| 15 | Cover, Air Cleaner | 1720762U-000 | 1 | |
| 16 | Tube, Breather, Ventilated | 17381218-000 | 1 | |
| 17 | Plug, Trap | 17370201-000 | 1 | |
| 18 | Bolt | 96000-060258-00K | 2 | M6x25 |
| 19 | Sensor, Intake Air, IAT | 1623062U-000 | 1 | |
| 20 | Valve, Idle Air Controller, IAC | 1624062U-000 | 1 | |
| 21 | Mount, IAC | 1624162U-000 | 1 | |
| 22 | Bolt | 96000-050128-00K | 1 | M5x12 |

D-16: EXHAUST PIPE



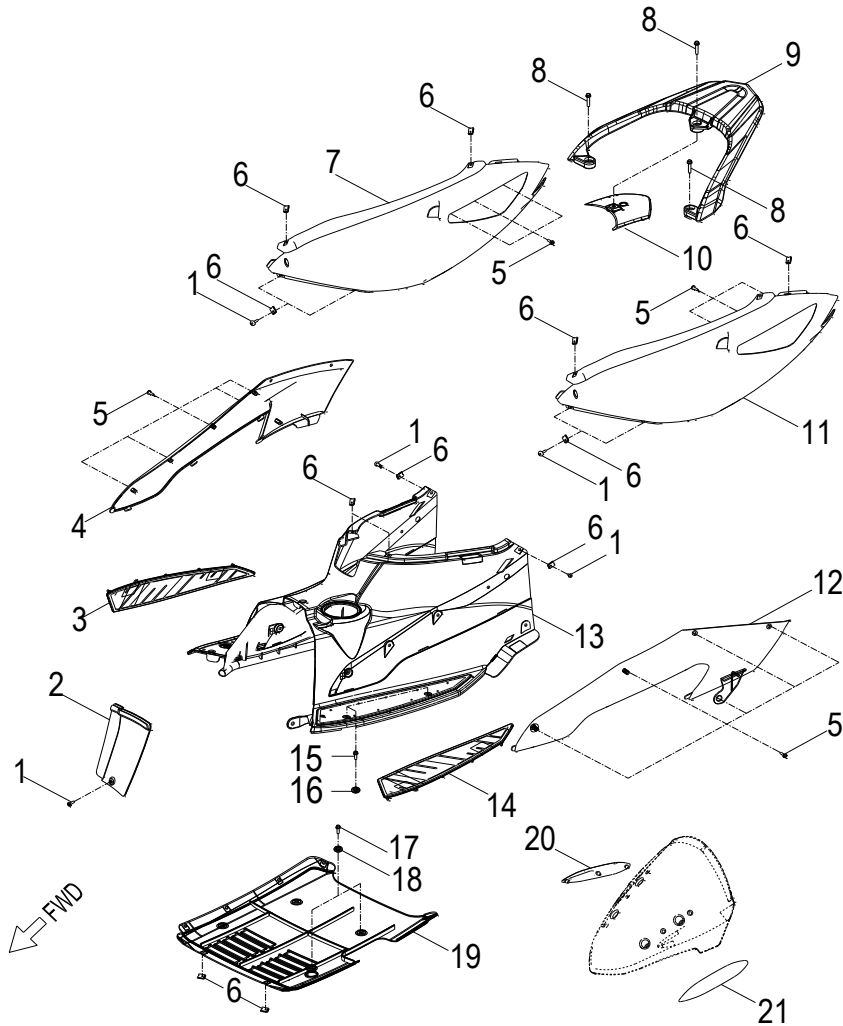
| Item | Description | Part Number | Q.ty | Note |
|------|-----------------------------|-------------------|------|-----------|
| 1 | Bolt | 96007-060228-00K | 3 | M6x22 + w |
| 2 | Gasket | 94102-0917020-000 | 3 | |
| 3 | Grommet | 16129204-000 | 3 | |
| 4 | Tube, Spacer | 42810215-000 | 3 | |
| 5 | Shield, front Pipe, Exhaust | 1830862U-878 | 1 | |
| 6 | Gasket | 94102-0617030-000 | 10 | |
| 7 | Bolt | 96000-060168-SUS | 5 | |
| 8 | Washer, Spring | 94111-0711015-SUS | 3 | |
| 9 | Shield, Exhaust | 1831562U-000 | 1 | |
| 10 | Silencer | 1829862U-000 | 1 | |
| 11 | Asm., Exhaust Pipe | 1830062U-000 | 1 | |
| 12 | Gasket | 1829162E-000 | 1 | |
| 13 | Nut | 90301-08000-00C | 2 | |
| 14 | Sensor, O2 | 1833062U-000 | 1 | |
| 15 | Shield, Exhaust | 1831562V-000 | 1 | |
| 16 | Washer, Spring | 94111-0711015-SUS | 2 | |
| 17 | Bolt | 96000-100508-00K | 3 | |

D-17: FRAME BODY



| Item | Description | Part Number | Q.ty | Note |
|------|-------------------------|------------------|------|-------|
| 1 | Bolt | 96000-060148-OKL | 2 | M6x14 |
| 2 | | 6432450N-000 | 1 | |
| 3 | Bolt | 96000-060358-00K | 2 | |
| 4 | Footpeg, RH | 5056062U-000 | 1 | |
| 5 | Cable, Lock | 7723262U-000 | 1 | |
| 6 | Footpeg, LH | 5055062U-000 | 1 | |
| 7 | Mount, Engine, Rear | 5035062U-000 | 1 | |
| 8 | Bushing | 96400-123530 | 2 | |
| 9 | Nut | 90355-12000-17C | 1 | |
| 10 | Bolt | 96000-120558-OKL | 2 | |
| 11 | Bolt | 96000-122368-14C | 1 | |
| 12 | Bolt | 96000-100558-OKL | 4 | |
| 13 | Linkage, Engine Mount | 5038062U-000 | 2 | |
| 14 | Bushing | 96410-103530-336 | 4 | |
| 15 | Bushing | 5038162U-000 | 2 | |
| 16 | Nut | 94050-10000-00C | 2 | M10 |
| 17 | Bolt | 96000-080148-00K | 3 | |
| 18 | Bracket, Floorboard, LH | 5031662U-000 | 1 | |
| 19 | Switch, Shift Control | 34913156-000 | 1 | |
| 20 | Bolt | 91000-050168-00K | 2 | M5x16 |
| 21 | Asm., Frame | 5010050N-000 | 1 | |

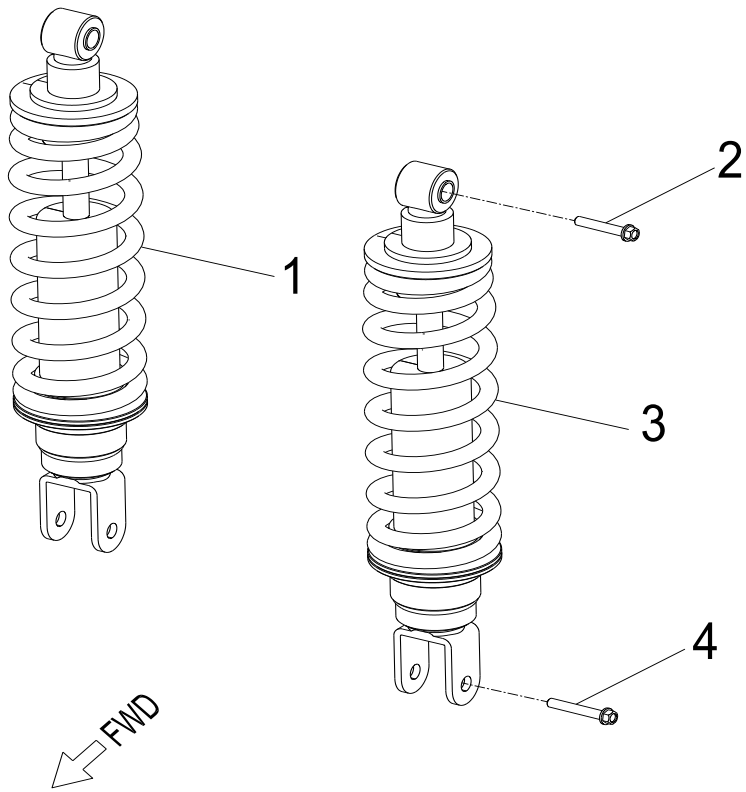
D-18: SIDE COVERS



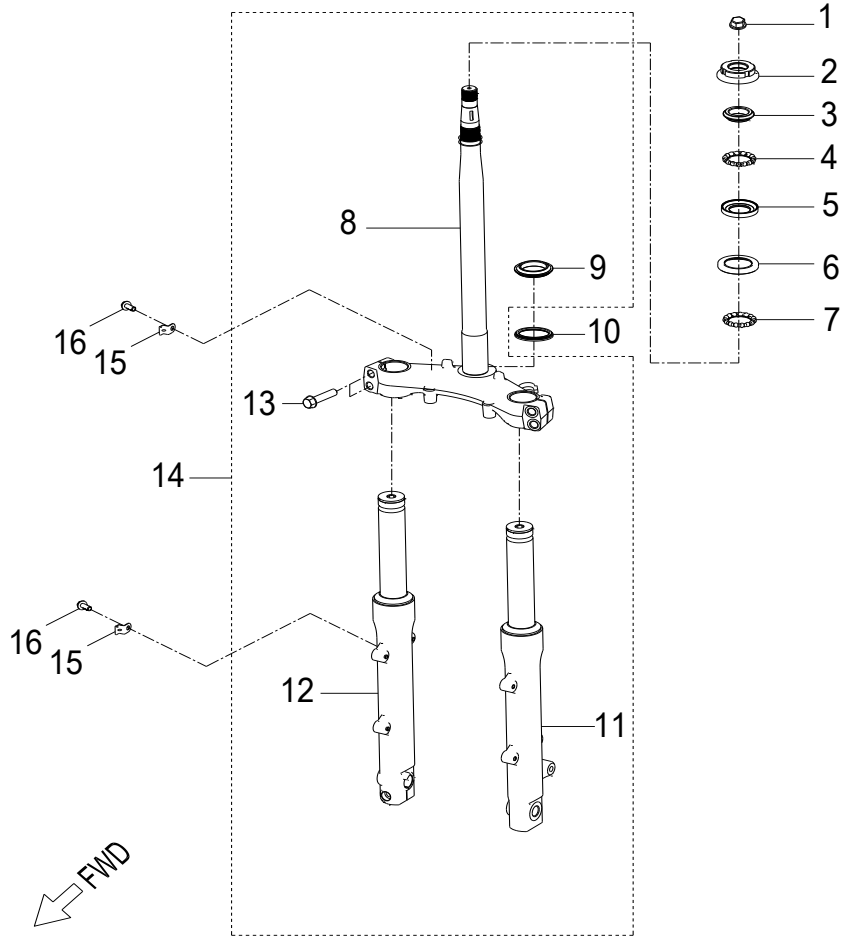
| Item | Description | Part Number | Q.ty | Note |
|------|------------------|-------------------|------|--------------|
| 1 | Bolt | 93100-050168-00K | 8 | M5x16 |
| 2 | Cover, Battery | 3150462U-070 | 1 | |
| 3 | Floorboard, RH | 6431562U-070 | 1 | |
| 4 | Veneer, RH | 8350362U-850 | 1 | |
| 5 | Screw | 93903-1050128-00K | 16 | M5x12 |
| 6 | Nut-U, M5 | 61121203-00C | 14 | M5 |
| 7 | Panel, Side, RH | 8350062U-134 | 1 | Black |
| | | 8350062U-235 | | White |
| | | 8350062U-S87 | | Silver |
| 8 | Bolt | 96000-080288-00K | 3 | |
| 9 | Grab Bar | 5010562U-134 | 1 | Black |
| | | 5010562U-235 | | White |
| | | 5010562U-S87 | | Silver |
| 10 | Visor, Taillight | 8370462U-134 | 1 | Black |
| | | 8370462U-235 | | White |
| | | 8370462U-S87 | | Silver |
| 11 | Panel, Side, LH | 8360062U-134 | 1 | Black |
| | | 8360062U-235 | | White |
| | | 8360062U-S87 | | Silver |
| 12 | Veneer, LH | 8360362U-850 | 1 | |
| 13 | Floor | 6422062U-000 | 1 | |
| 14 | Floorboard, LH | 6431662U-070 | 1 | |
| 15 | Bolt | 96007-060168-00K | 4 | M6x16 + w |
| 16 | Washer | 94150-0717075-00K | 4 | 6.5x17.5x7.5 |
| 17 | Bolt | 96000-060168-10K | 4 | M6x16 |
| 18 | Washer | 94150-0717050-00K | 4 | 7.1x17x5 |
| 19 | Shield, Chassis | 5010662U-070 | 1 | |
| 20 | Veneer, RH | 8350350N-070 | 1 | |
| 21 | Veneer, LH | 8360350N-070 | 1 | |

D-19: SUSPENSIONS

| Item | Description | Part Number | Q.ty | Note |
|------|----------------------------|------------------|------|--------|
| 1 | Asm., Suspension, Rear, RH | 5249062U-038 | 1 | |
| 2 | Bolt | 96000-100408-OKL | 2 | M10x40 |
| 3 | Asm., Suspension, Rear, LH | 5247062U-038 | 1 | |
| 4 | Bolt | 96000-100488-OKL | 2 | M10x48 |

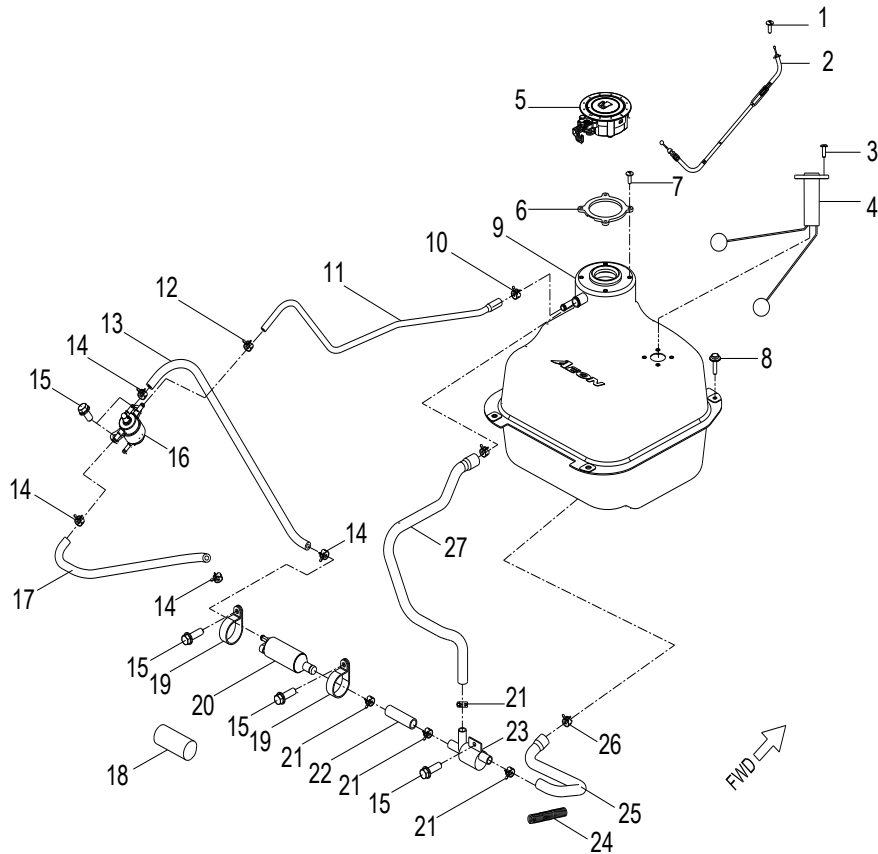


D-20: FRONT FORK



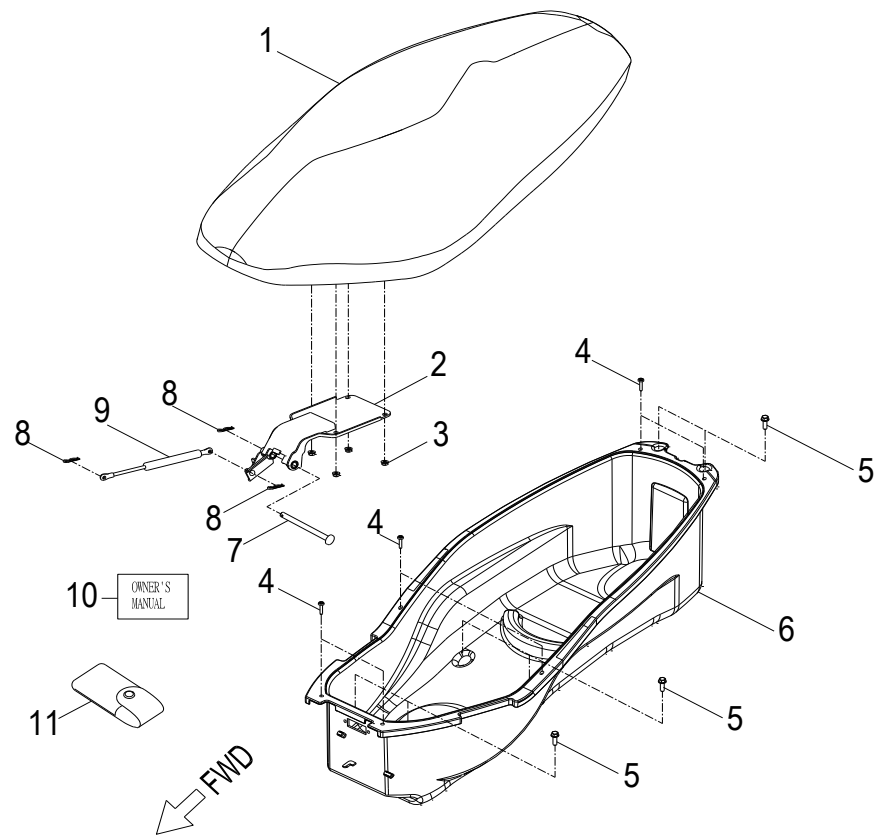
| Item | Description | Part Number | Q.ty | Note |
|------|------------------------------|------------------|------|--------|
| 1 | Nut | 94001-26000-32B | 1 | |
| 2 | Cover, Bearing | 53216201-000 | 1 | |
| 3 | RACE BALL #1 | 5321162U-000 | 1 | |
| 4 | Bearing, Thrust, 1/4"-15B | 51211201-000 | 1 | |
| 5 | Housing, Bearing, 1/4" | 5321262U-000 | 1 | |
| 6 | Housing, Bearing, 3/16" | 5321362U-000 | 1 | |
| 7 | Bearing, Thrust, 3/16"-18B | 51211202-000 | 1 | |
| 8 | Shaft, Steering | 5110750N-000 | 1 | |
| 9 | Housing, Bearing, 3/16" | 5321562U-000 | 1 | |
| 10 | Seal, Bearing | 5321762U-000 | 1 | |
| 11 | Arm, Suspension, Silver, Lh | 5313062U-000 | 1 | |
| 12 | Arm, Suspension, Silver, Rh | 5303062U-000 | 1 | |
| 13 | Bolt | 96000-100488-OKL | 4 | M10x48 |
| 14 | Asm., Suspension, Front | 5110050N-000 | 1 | |
| 15 | Fastener, Speedometer Sensor | 3721362U-000 | 2 | |
| 16 | Bolt | 96000-060108-10K | 2 | |

D-21: FUEL TANK



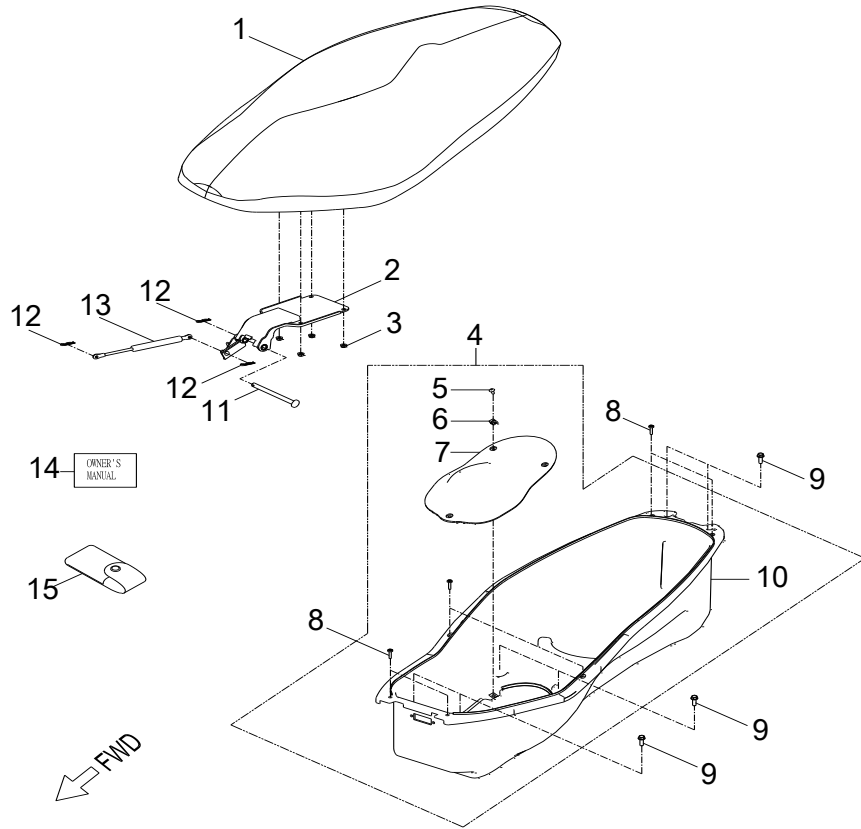
| Item | Description | Part Number | Q.ty | Note |
|------|----------------------|------------------|------|-------|
| 1 | Bolt | 93100-050128-00K | 1 | M5x12 |
| 2 | Cable, Fuel Cap | 1762762U-000 | 1 | |
| 3 | Bolt | 93100-050168-00K | 4 | M5x16 |
| 4 | Sensor, Fuel | 3780062U-000 | 1 | |
| 5 | Cap, Fuel | 1762362U-000 | 1 | |
| 6 | Gasket, Fuel Cap | 1750662U-000 | 1 | |
| 7 | Bolt | 93500-050168-00C | 4 | M5x16 |
| 8 | Bolt | 92005-060258-00K | 4 | |
| 9 | Asm., Tank, Fuel | 1750062U-001 | 1 | |
| 10 | Clamp | 94515-11007 | 1 | |
| 11 | Fuel hose | 94402-05009-520 | 1 | |
| 12 | Clamp | 94515-08006 | 1 | |
| 13 | Fuel Hose, Charging | 17523201-000 | 1 | |
| 14 | Ciamp | 94521-12006 | 4 | |
| 15 | Bolt | 96000-060148-10K | 5 | M6x14 |
| 16 | Valve, Pressuriser | 1751262U-000 | 1 | |
| 17 | Fuel Hose, Injector | 17523202-000 | 1 | |
| 18 | Rubber, Seat | 6432062U-000 | 1 | |
| 19 | Strap, Fuel Pump | 1752262U-000 | 2 | |
| 20 | Fuel Pump | 1752025I-000 | 1 | |
| 21 | Clamp | 94515-15010 | 4 | |
| 22 | Fuel Hose, Discharge | 17532204-000 | 1 | |
| 23 | Filter, Fuel | 1795225I-000 | 1 | |
| 24 | Spring, Coolant Hose | 19507201-000 | 1 | |
| 25 | Fuel Hose, Discharge | 17532201-000 | 1 | |
| 26 | Clamp | 94515-18010 | 2 | |
| 27 | Fuel hose | 94412-12016-440 | 1 | |

D-22: SEAT



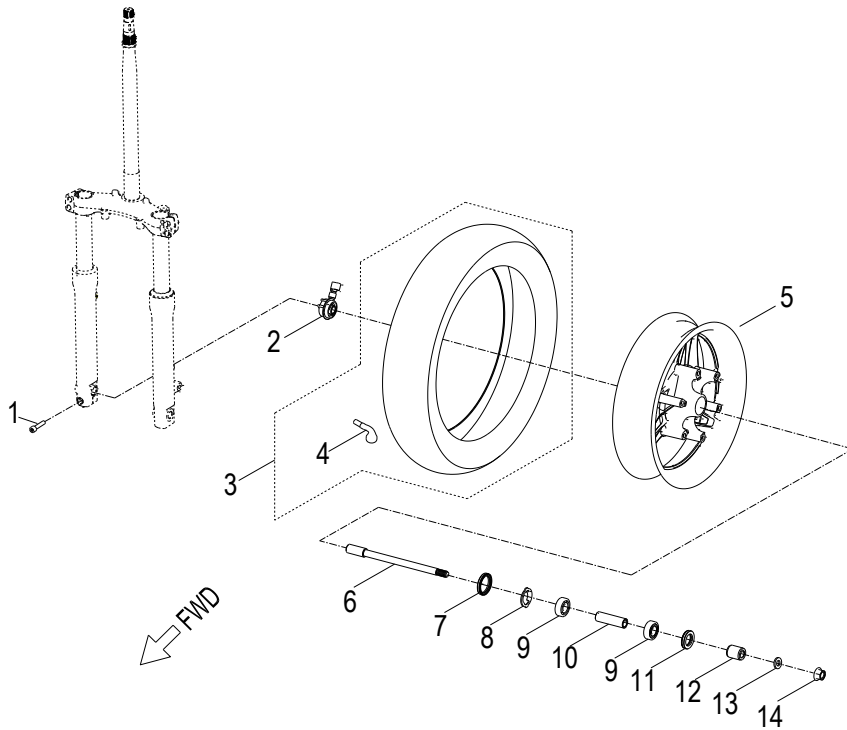
| Item | Description | Part Number | Q.ty | Note |
|------|-----------------|------------------|------|-----------|
| 1 | Seat | 7720062U-070 | 1 | |
| 2 | Hinge, Seat | 7720162U-000 | 1 | |
| 3 | Nut | 94050-06000-00K | 4 | M6 |
| 4 | Bolt | 93902-050208-00K | 6 | |
| 5 | Bolt | 96007-060168-00K | 6 | M6x16 + w |
| 6 | BOX | 7720762U-000 | 1 | |
| 7 | Seat Fix Shaft | 7720362U-000 | 1 | |
| 8 | Cotter Pin | 94203-12200 | 3 | |
| 9 | Stopper | 7725962U-000 | 1 | |
| 10 | Manual, Owner's | 88510260-000 | 1 | |
| 11 | Pouch, Tool | 89120212-000 | 1 | |

D-22: SEAT (Helmet case with inspection cover)



| Item | Description | Part Number | Q.ty | Note |
|------|-----------------|------------------|------|-----------|
| 1 | Seat | 7720062U-070 | 1 | |
| 2 | Hinge, Seat | 7720162U-000 | 1 | |
| 3 | Nut | 94050-06000-00K | 4 | M6 |
| 4 | Asm., Box | 7726062K-000 | 1 | |
| 5 | Bolt | 93100-050128-00K | 3 | M5x12 |
| 6 | Nut-U, M5 | 61121203-00C | 3 | M5 |
| 7 | Box Cover | 7720262K-000 | 1 | |
| 8 | Bolt | 93902-050208-00K | 6 | |
| 9 | Bolt | 96007-060168-00K | 6 | M6x16 + w |
| 10 | BOX | 7720762K-000 | 1 | |
| 11 | Seat Fix Shaft | 7720362U-000 | 1 | |
| 12 | Cotter Pin | 94203-12200 | 3 | |
| 13 | Stopper | 7725962U-000 | 1 | |
| 14 | Manual, Owner's | 88510260-001 | 1 | |
| 15 | Pouch, Tool | 89120213-000 | 1 | |

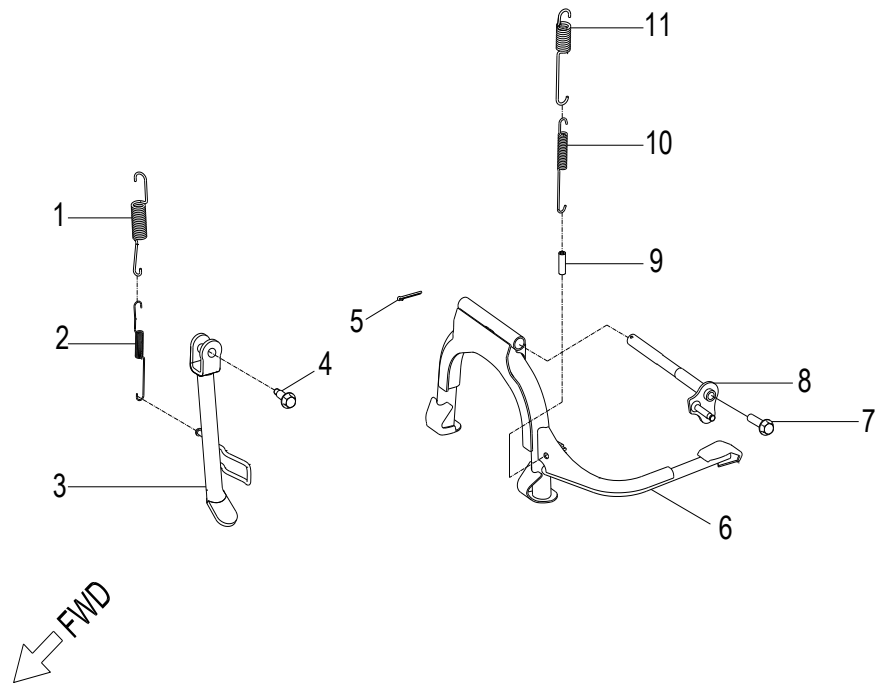
D-23: FRONT WHEEL



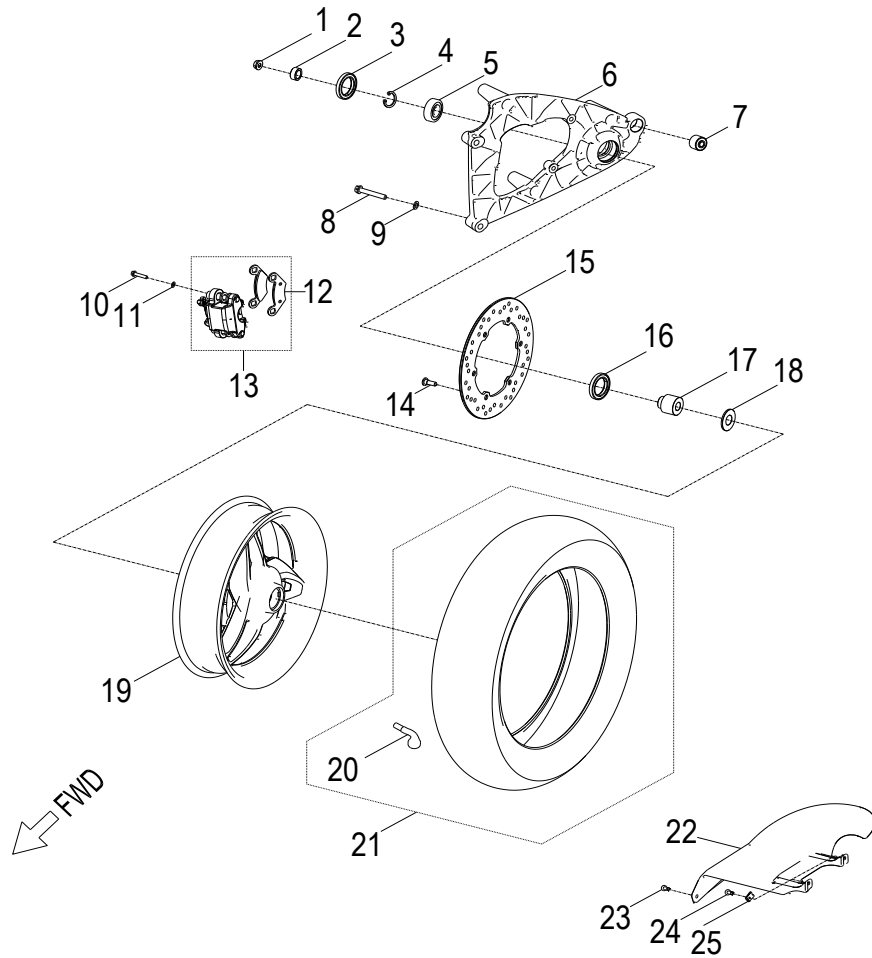
| Item | Description | Part Number | Q.ty | Note |
|------|----------------------------|-------------------|------|-----------|
| 1 | Bolt | 91000-080408-00K | 1 | |
| 2 | Asm., Gear, Speedometer | 4480662U-000 | 1 | |
| 3 | Tire | 4271150N-000 | 1 | |
| 4 | Valve, Rim | 4261662U-000 | 1 | |
| 5 | Rim | 4270162G-458 | 1 | |
| 6 | Shaft, Front Wheel | 4462562U-000 | 1 | |
| 7 | Seal, Oil | 96500-405005NBR | 1 | |
| 8 | Mount, Speedometer Gear | 2290262U-000 | 1 | |
| 9 | Bearing, Ball | 96100-63020-LU000 | 2 | |
| 10 | Sleeve, Shaft, Front Wheel | 4462062U-000 | 1 | |
| 11 | Seal, Oil | 96500-284207NBR | 1 | |
| 12 | Spacer | 4431162U-000 | 1 | |
| 13 | Washer | 94101-1426020-00C | 1 | 14.2x26x2 |
| 14 | Nut | 90355-14000-19B | 1 | |

D-24: STAND

| Item | Description | Part Number | Q.ty | Note |
|------|-------------------|------------------|------|-------|
| 1 | Spring, Kickstand | 43015201-000 | 1 | |
| 2 | Spring, Kickstand | 43015202-000 | 1 | |
| 3 | Kickstand | 5053062U-000 | 1 | |
| 4 | Bolt | 8922062U-000 | 1 | |
| 5 | Pin, Cotter | 94201-32320 | 1 | |
| 6 | Mainstand | 5050062U-000 | 1 | |
| 7 | Bolt | 96000-080228-00K | 1 | M8x22 |
| 8 | Shaft, Mainstand | 5050362U-000 | 1 | |
| 9 | Fuel hose | 94401-05009-030 | 1 | |
| 10 | Spring, Mianstand | 50506201-000 | 1 | |
| 11 | Spring, Mianstand | 5050662U-000 | 1 | |

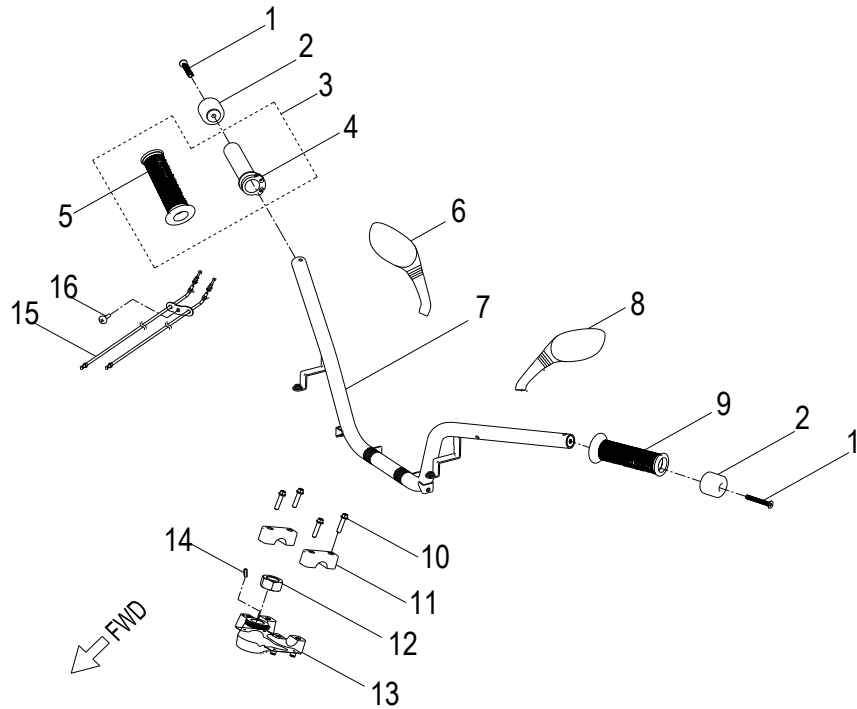


D-25: REAR WHEEL



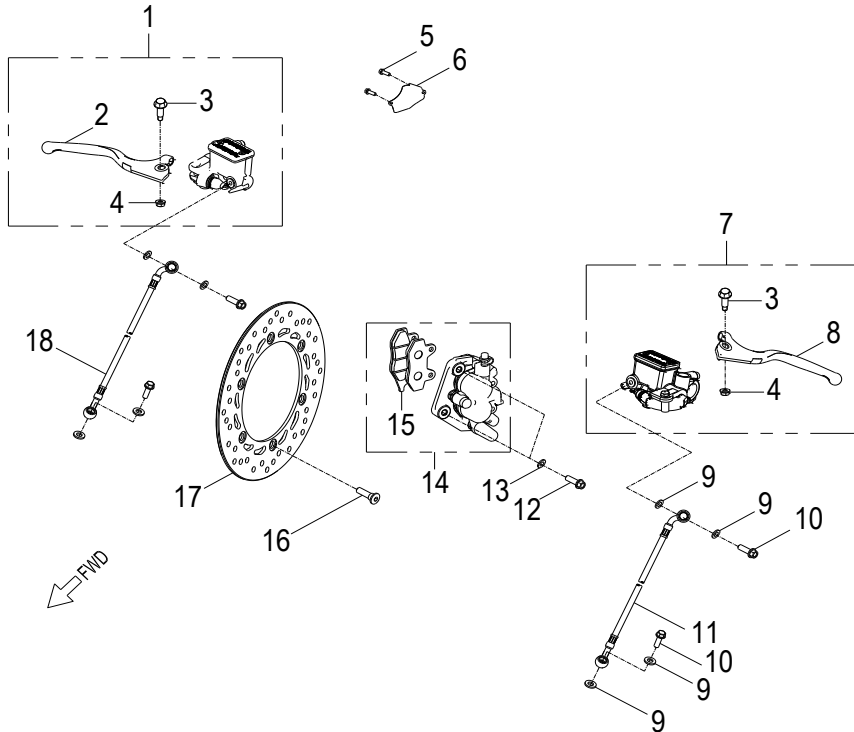
| Item | Description | Part Number | Q.ty | Note |
|------|--------------------|-------------------|------|-----------|
| 1 | Nut | 90355-16000-24K | 1 | |
| 2 | Spacer | 4232162U-000 | 1 | |
| 3 | Seal, Oil | 96500-253705NBR | 1 | |
| 4 | Clip, Cir | 94512-4700R | 1 | |
| 5 | Bearing, Ball | 96100-63030-LLUC3 | 1 | |
| 6 | Arm, Swing | 5200062U-000 | 1 | |
| 7 | Bushing | 96400-102828 | 1 | |
| 8 | Bolt | 96000-100558-OKL | 2 | |
| 9 | Washer | 94101-1022020-00K | 2 | 10.1x22x2 |
| 10 | Bolt | 96000-080388-OKL | 2 | |
| 11 | Washer | 94101-0816010-00C | 2 | |
| 12 | Pad, brake, Rear | 4312062U-001 | 1 | |
| 13 | Asm, Caliper, Rear | 4310062U-001 | 1 | |
| 14 | Bolt | 45016201-000 | 6 | |
| 15 | Disc, Brake | 4351162U-000 | 1 | |
| 16 | Seal, Oil | 96500-254706NBR | 1 | |
| 17 | Spacer, Axle | 4231162U-000 | 1 | |
| 18 | Washer | 94101-1750030-00B | 1 | |
| 19 | Rim, Rear | 4280162G-458 | 1 | |
| 20 | Valve, Rim | 4261662U-000 | 1 | |
| 21 | Tire | 4281150N-000 | 1 | |
| 22 | REAR FENDER | 8011562U-000 | 1 | |
| 23 | Screw | 93100-050168-00K | 2 | |
| 24 | Bolt | 93100-050258-00K | 2 | M5x16 |
| 25 | Nut-U, M5 | 61121203-00C | 2 | M5 |

D-26: HANDLEBAR



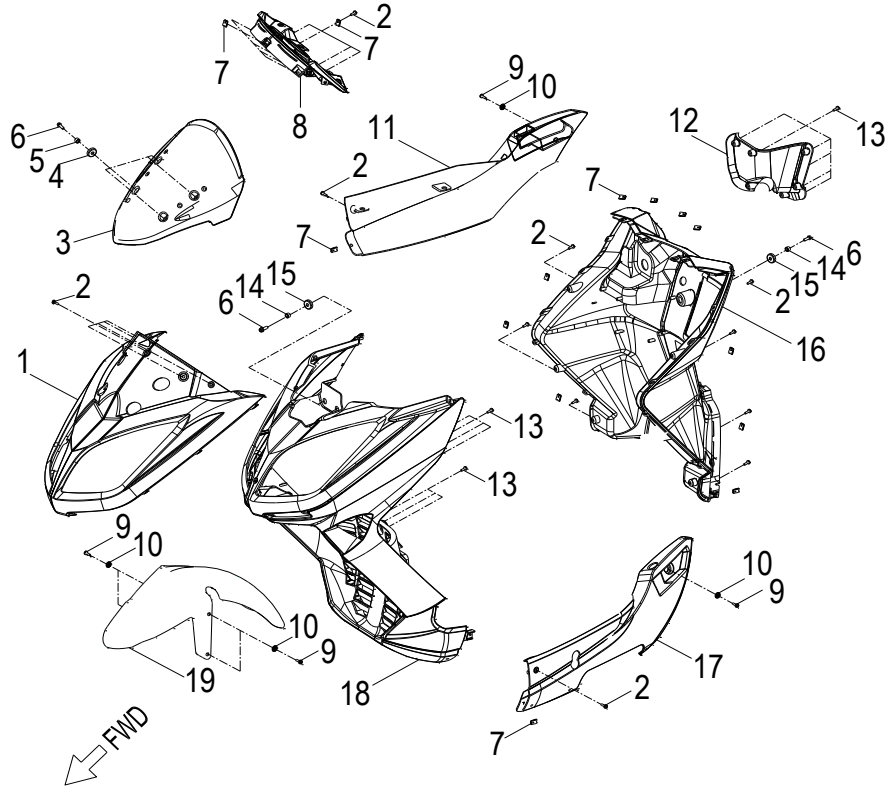
| Item | Description | Part Number | Q.ty | Note |
|------|------------------------|------------------|------|-------|
| 1 | Bolt | 91000-060458-00B | 2 | |
| 2 | Grip End | 5311662U-000 | 2 | |
| 3 | Asm., Grip, RH | 5316062U-000 | 1 | |
| 4 | Sleeve, Grip, Throttle | 5318762U-000 | 1 | |
| 5 | R. SIDE LEVER | 5316562U-000 | 1 | |
| 6 | Mirror, Rh | 8811062U-000 | 1 | |
| 7 | Handlebar | 5310050N-000 | 1 | |
| 8 | Mirror, Lh | 8812062U-000 | 1 | |
| 9 | Grip, Hand, LH | 5316662U-000 | 1 | |
| 10 | Bolt | 91006-080508-0KL | 4 | M8x50 |
| 11 | Clamp, Upper | 5321039A-000 | 2 | |
| 12 | Nut | 94001-20015-30B | 1 | |
| 13 | Clamp, Lower | 5320062U-000 | 1 | |
| 14 | Key, Woodruff | 90471-16004 | 1 | |
| 15 | Cable, Throttle | 5391050N-000 | 1 | |
| 16 | Bolt | 93100-050128-00K | 1 | M5x12 |

D-27: FRONT BRAKE MASTER CYLINDER



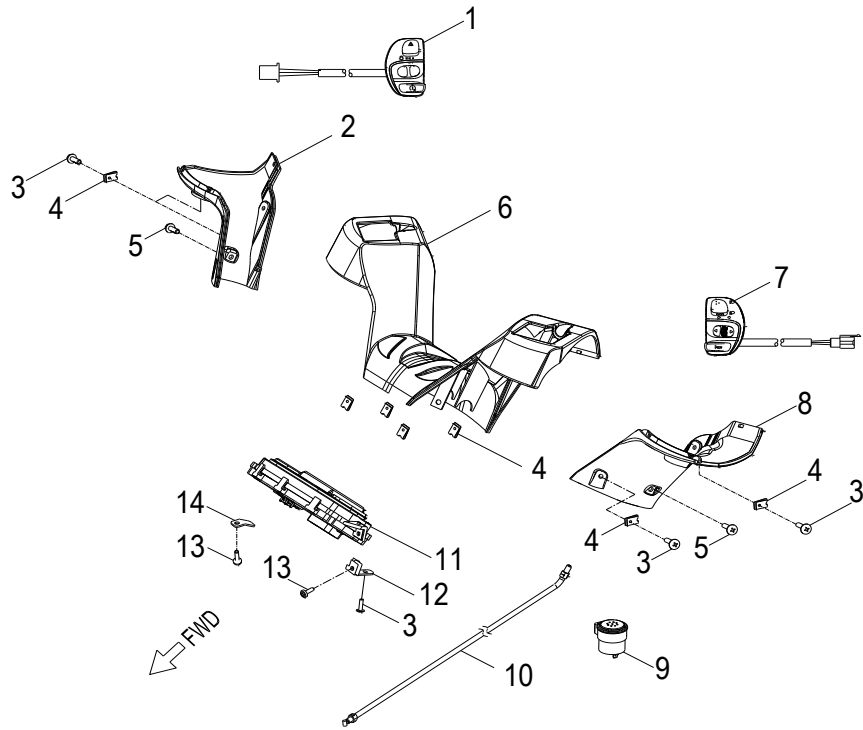
| Item | Description | Part Number | Q.ty | Note |
|------|-------------------------|-------------------|------|-------------|
| 1 | Master Cylinder, Front | 4553062U-000 | 1 | |
| 2 | Lever, Brake, RH | 5317562U-000 | 1 | |
| 3 | Bolt | 89220201-000 | 2 | |
| 4 | Nut | 94073-06006-00K | 2 | |
| 5 | Bolt | 96000-060128-10K | 2 | M6x12 |
| 6 | Shield, Brake Hose | 4547262U-000 | 1 | |
| 7 | Master Cylinder, Rear | 4552062U-000 | 1 | |
| 8 | Lever, Brake, LH | 5317862U-000 | 1 | |
| 9 | Washer | 94101-1015012-U0B | 8 | 10.1x15x1.2 |
| 10 | Bolt, Banjo | 45456111-000 | 4 | |
| 11 | Hose, Rear Brake, Lower | 45449225-000 | 1 | |
| 12 | Bolt | 96000-080388-OKL | 2 | |
| 13 | Washer | 94101-0816010-00C | 2 | |
| 14 | Asm., Caliper, Front | 4520062U-000 | 1 | |
| 15 | Pads, Caliper, Front | 4312162U-000 | 1 | |
| 16 | Bolt | 45016201-000 | 6 | |
| 17 | Plate, Front Brake | 4501062U-000 | 1 | |
| 18 | Hose, Brake | 45447238-000 | 1 | |

D-28: WINDSHIELD



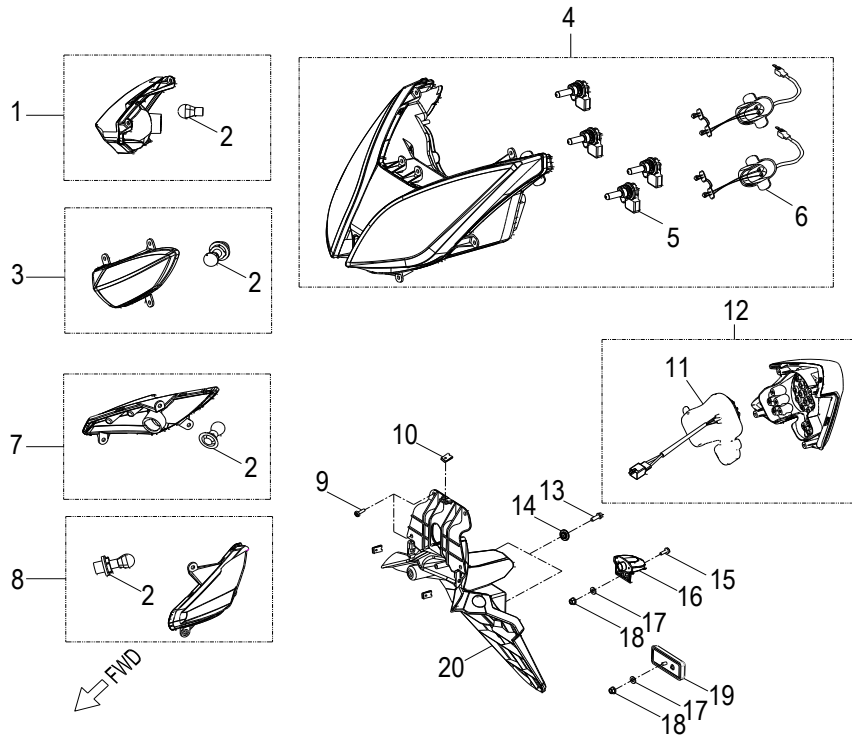
| Item | Description | Part Number | Q.ty | Note |
|------|-------------------------|-------------------|------|-----------|
| 1 | Cover, Headlight | 6432150N-134 | 1 | Black |
| | | 6432150N-235 | | Whie |
| | | 6432150N-S87 | | Silver |
| 2 | Bolt | 93100-050168-00K | 29 | M5x16 |
| 3 | Sunshiny Hood | 6431150N-000 | 1 | |
| 4 | Grommet | 16129204-000 | 4 | |
| 5 | Tube, Spacer | 42810215-000 | 4 | |
| 6 | Bolt | 96007-060228-00K | 8 | M6x22 + w |
| 7 | Nut-U, M5 | 61121203-00C | 20 | M5 |
| 8 | Speedometer Cover | 3719150N-070 | 1 | |
| 9 | Bolt | 96000-060168-10K | 5 | M6x16 |
| 10 | Washer | 94150-0717050-00K | 6 | 7.1x17x5 |
| 11 | Panel, Bottom, RH | 83501S31-134 | 1 | Black |
| | | 83501S31-235 | | Whie |
| | | 83501S31-S87 | | Silver |
| 12 | Cover, Small Storge Box | 8113450N-070 | 1 | |
| 13 | Screw | 93903-1050168-00K | 22 | M5x16 |
| 14 | Spacer | 51311203-000 | 4 | |
| 15 | Foam | 17502204-000 | 4 | |
| 16 | Inner Box | 8113150N-070 | 1 | |
| 17 | Panel, Bottom, LH | 83601S31-134 | 1 | Black |
| | | 83601S31-235 | | Whie |
| | | 83601S31-S87 | | Silver |
| 18 | Windshield | 6430150N-134 | 1 | Black |
| | | 6430150N-235 | | Whie |
| | | 6430150N-S87 | | Silver |
| 19 | Fender, Front | 6285050N-134 | 1 | Black |
| | | 6285050N-235 | | Whie |
| | | 6285050N-S87 | | Silver |

D-29: SPEEDOMETER ASS'Y



| Item | Description | Part Number | Q.ty | Note |
|------|--------------------------|-------------------|------|-------|
| 1 | Switch, Handle, RH | 3587050N-000 | 1 | |
| 2 | Pod, Handlebar, Lower(R) | 6421650N-070 | 1 | |
| 3 | Bolt | 93100-050168-00K | 6 | M5x16 |
| 4 | Nut-U, M5 | 61121203-00C | 9 | M5 |
| 5 | Bolt | 93100-050128-00K | 2 | M5x12 |
| 6 | Pod, Handlebar | 6421150N-070 | 1 | |
| 7 | Switch, Handle, LH | 3586050N-000 | 1 | |
| 8 | Pod, Handlebar, Lower(R) | 6421750N-070 | 1 | |
| 9 | Relay, Signal | 38302204-000 | 1 | |
| 10 | Sensor, Speedometer | 3786062U-000 | 1 | |
| 11 | Asm., Speedometer | 3720062U-000 | 1 | |
| 12 | Bracket, Speedometer | 3720850N-000 | 2 | |
| 13 | Screw | 93903-1050128-00K | 3 | M5x12 |
| 14 | Bracket, Speedometer | 37208202-000 | 1 | |

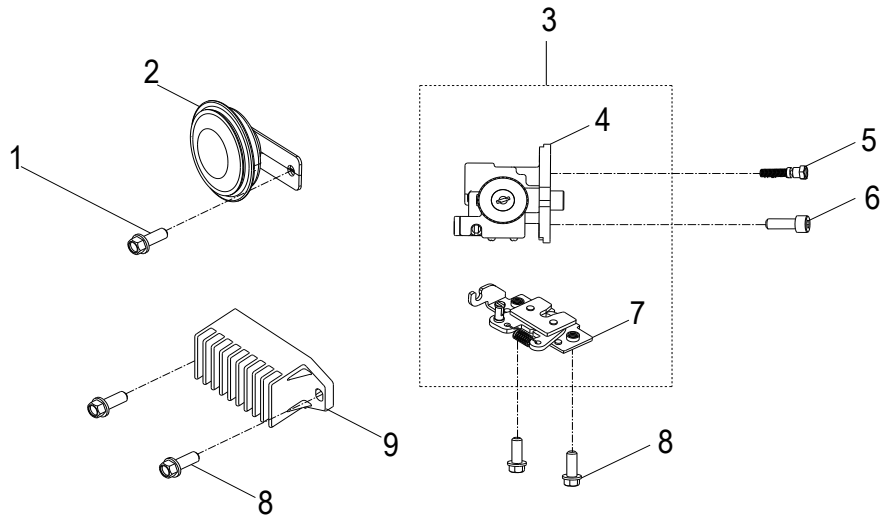
D-30: LITGHT



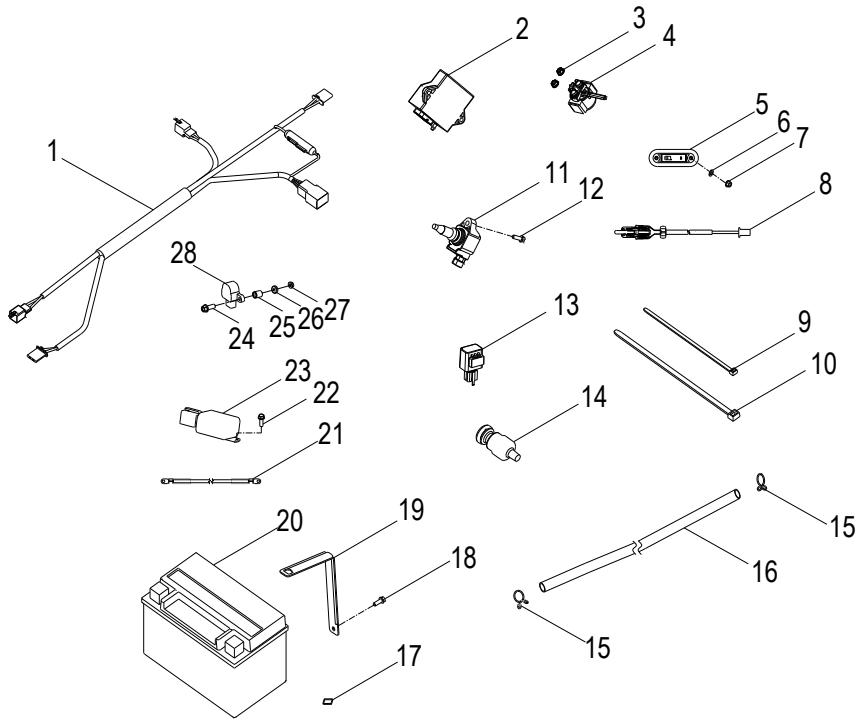
| Item | Description | Part Number | Q.ty | Note |
|------|-------------------------|-------------------|------|-----------|
| 1 | Asm., Signal, Front, RH | 3340050N-000 | 1 | |
| 2 | Bulb, Signal | 33905205-000 | 4 | |
| 3 | Asm., Signal, Front, LH | 3345050N-000 | 1 | |
| 4 | Asm., Headlight | 3310062U-000 | 1 | |
| 5 | Bulb, Headlight | 34901222-000 | 4 | |
| 6 | Led Light Comp | 33202202-000 | 2 | |
| 7 | Asm., Signal, Rear, RH | 3380062U-000 | 1 | |
| 8 | Asm., Signal, Rear, LH | 3385062U-000 | 1 | |
| 9 | Screw | 93903-1050128-00K | 4 | M5x12 |
| 10 | Nut-U, M5 | 61121203-00C | 3 | M5 |
| 11 | Led Light Comp | 33202203-000 | 1 | |
| 12 | Asm., Taillight | 3370062U-000 | 1 | |
| 13 | Bolt | 96007-060168-00K | 2 | M6x16 + w |
| 14 | Washer | 94150-0717050-00K | 2 | 7.1x17x5 |
| 15 | Bolt | 93100-050168-00K | 1 | M5x16 |
| 16 | Asm., License Light | 33750202-000 | 1 | |
| 17 | Washer | 94101-0514010-00K | 2 | 5.1x14x1 |
| 18 | Nut | 94050-05000-00C | 2 | M5 |
| 19 | Reflector | 33741201-000 | 1 | |
| 20 | License Plate | 3370862U-070 | 1 | |

D-31: MAIN SWITCH, HORN & REGULATOR

| Item | Description | Part Number | Q.ty | Note |
|------|----------------------|------------------|------|-------|
| 1 | Bolt | 96000-080128-OKL | 1 | M8x12 |
| 2 | Horn | 38110119-000 | 1 | |
| 3 | Asm., Mian Switch | 3501062U-000 | 1 | |
| 4 | Switch, Main | 3510262U-000 | 1 | |
| 5 | Shear-Bolt | 92200-060208-0B1 | 1 | |
| 6 | Bolt | 91000-060168-00K | 1 | |
| 7 | Lock striker | 7723162U-000 | 1 | |
| 8 | Bolt | 96000-060168-10K | 4 | M6x16 |
| 9 | Rectifier/ Regulator | 3160062U-000 | 1 | |



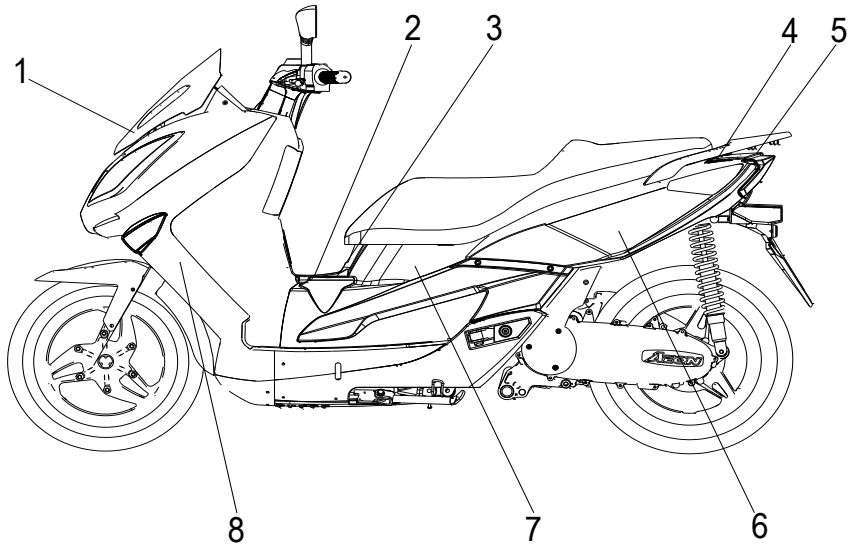
D-32: ELECTRICAL PARTS



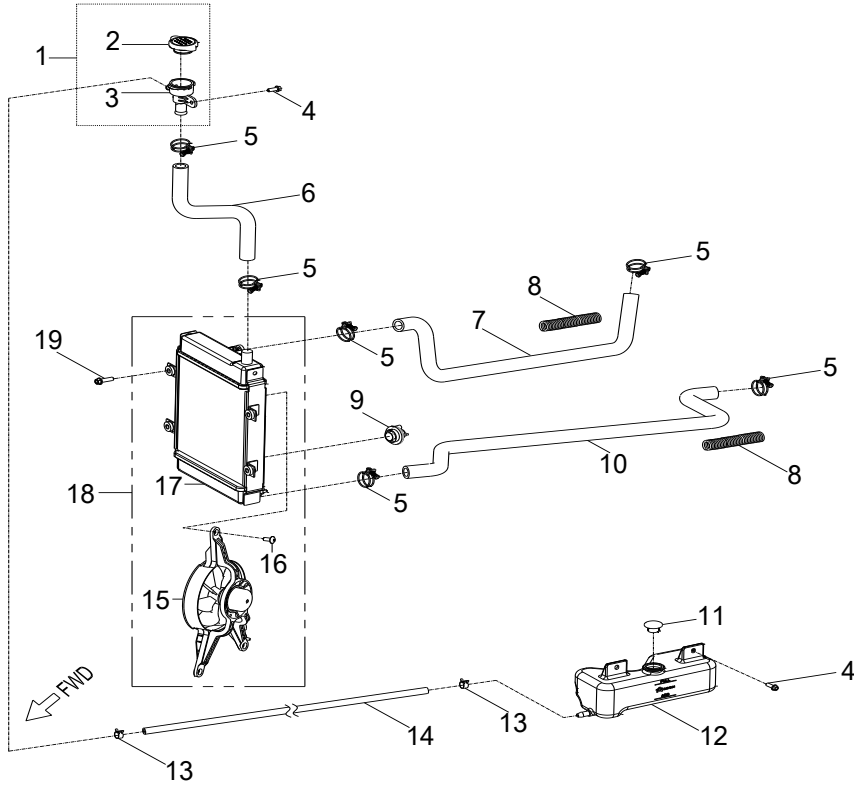
| Item | Description | Part Number | Q.ty | Note |
|------|-----------------------------|-------------------|------|-----------|
| 1 | Harness, Main Wire | 3210062U-001 | 1 | |
| 2 | Electroni Control Unit, ECU | 3044062U-000 | 1 | |
| 3 | Nut | 94050-06000-00K | 9 | M6 |
| 4 | Starter Relay | 38501204-000 | 1 | |
| 5 | Lamp, Storage Box | 77261201-000 | 1 | |
| 6 | Washer | 94101-0412010-00K | 2 | 4x12x1 |
| 7 | Nut | 90350-04000-00K | 2 | M4 |
| 8 | Switch, Lamp, Storage Box | 7726262U-000 | 1 | |
| 9 | Strap | 89569131-000 | 21 | AL-200M-B |
| 10 | Strap | 89769111-000 | 3 | |
| 11 | Asm., Ignition Coil | 3051062U-000 | 1 | |
| 12 | Bolt | 96000-060208-10K | 1 | M6x20 |
| 13 | Relay, Parking | 38701201-000 | 1 | |
| 14 | Power Supporter | 38130179-000 | 1 | |
| 15 | Clamp | 94510-08000 | 2 | |
| 16 | Fuel hose | 94401-04008-350 | 1 | |
| 17 | Foam, battery | 81113203-000 | 1 | |
| 18 | Bolt | 96000-060168-10K | 3 | M6x16 |
| 19 | Bracket, Battery | 3150262U-000 | 1 | |
| 20 | Battery | 3150039A-000 | 1 | 12AH |
| 21 | Asm., Battery Cable | 32001207-000 | 1 | |
| 22 | Bolt | 96000-060108-10K | 1 | |
| 23 | Relay, EFI | 3850262U-000 | 1 | |
| 24 | Bolt | 96000-050208-00C | 2 | |
| 25 | Spacer | 51311206-000 | 2 | |
| 26 | Foam | 17502210-000 | 2 | |
| 27 | Nut | 94050-05000-00C | 2 | M5 |
| 28 | Switch, Topples Over | 3516262U-000 | 1 | |

D-33: DECALS

| Item | Description | Part Number | Q.ty | Note |
|------|----------------------|--------------|------|--------|
| 1 | Decal, AEON, Logo | 87711262-S87 | 1 | |
| 2 | Decal, Fuel | 87841201-000 | 1 | |
| 3 | Decal, AEON, Logo | 87711263-000 | 1 | |
| 4 | Decal, Warning, Hood | 87842202-000 | 1 | |
| 5 | Decal, Warning, Rack | 87869202-000 | 1 | |
| 6 | Decal,elite | 87848202-507 | 2 | Red |
| | | 87848202-S87 | | Silver |
| | | 87848202-000 | | Black |
| 7 | Decal, Tire Pressure | 87864204-000 | 1 | |
| 8 | Decal, 350i | 87715220-S87 | 2 | Silver |
| | | 87715220-000 | | Black |



D-34: RADIATOR



| Item | Description | Part Number | Q.ty | Note |
|------|-----------------------------|------------------|------|-----------|
| 1 | Asm., Water Cap | 1911362U-000 | 1 | |
| 2 | Cap, Water | 1911150A-000 | 1 | |
| 3 | Tube, Water Cap | 1911462U-000 | 1 | |
| 4 | Bolt | 92005-060168-00K | 3 | M6x16 + w |
| 5 | Clamp | 1922250A-000 | 6 | |
| 6 | Hose, Water Cap, Radiator | 1950462U-000 | 1 | |
| 7 | Hose, Outlet, Radiator | 1950162U-000 | 1 | |
| 8 | Spring, Coolant Hose | 1950762U-000 | 2 | |
| 9 | Asm., Switch, Thermostatic | 1932062U-000 | 1 | |
| 10 | Hose, Inlet, Radiator | 1950362U-000 | 1 | |
| 11 | Cap, Oil Tank | 55105111-000 | 1 | |
| 12 | Tank, Expansion | 1910162U-000 | 1 | |
| 13 | Clamp | 94515-12008 | 2 | 12x8 |
| 14 | Hose, Inlet, Expansion Tank | 1950662U-000 | 1 | |
| 15 | Asm., Fan | 1900550A-000 | 1 | |
| 16 | Screw | 93003-060168-00K | 3 | M6x16 + w |
| 17 | Radiator | 1901162U-000 | 1 | |
| 18 | Asm., Radiator | 1901062U-000 | 1 | |
| 19 | Bolt | 96007-060228-00K | 4 | M6x22 + w |