

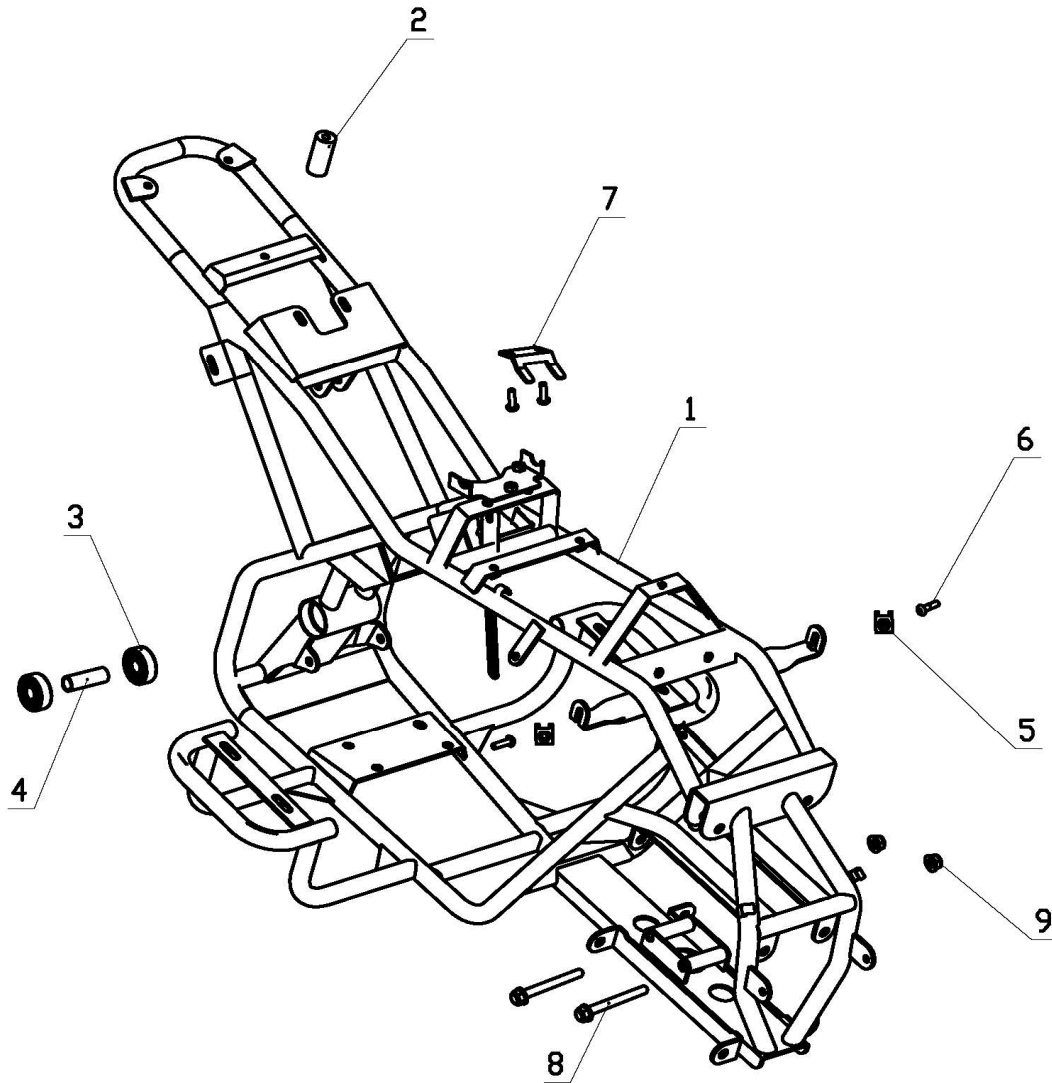
MITIKOLT 110



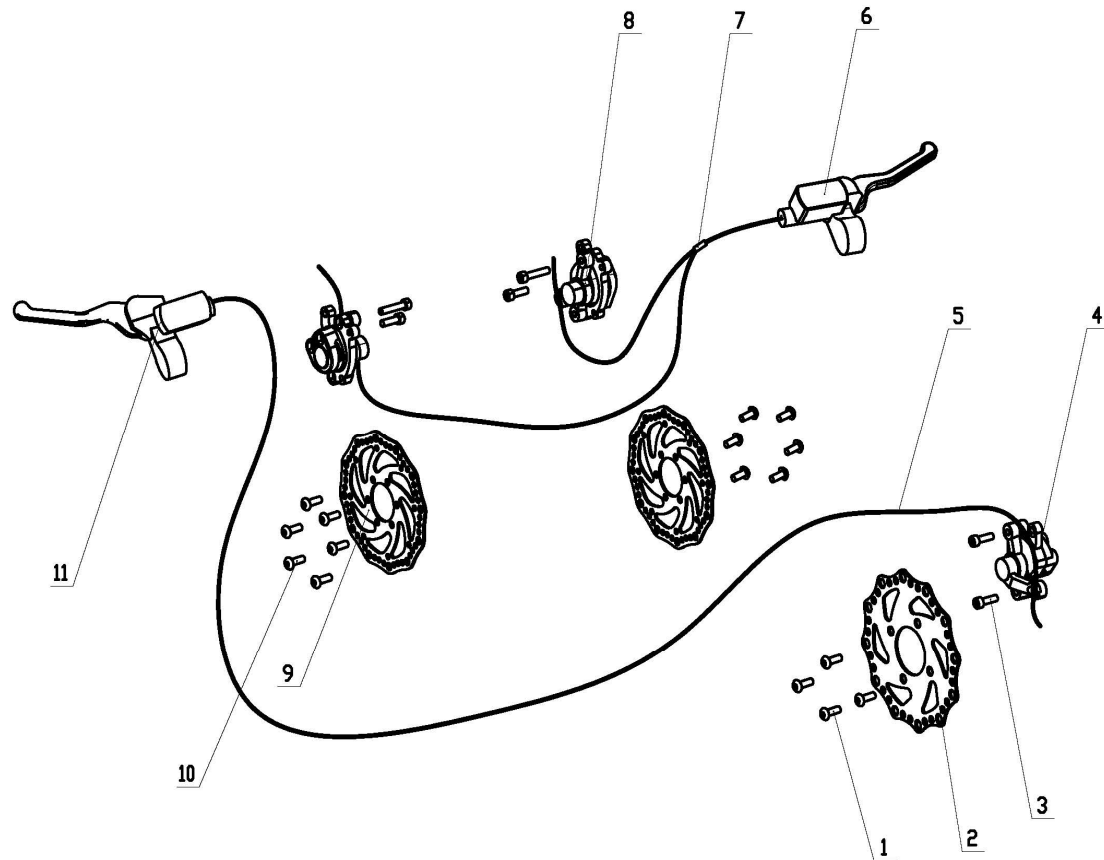
VIN Nंबर:	Release:
ZH5MK6010KT000001	20/04/2021



D-1: FRAME BODY



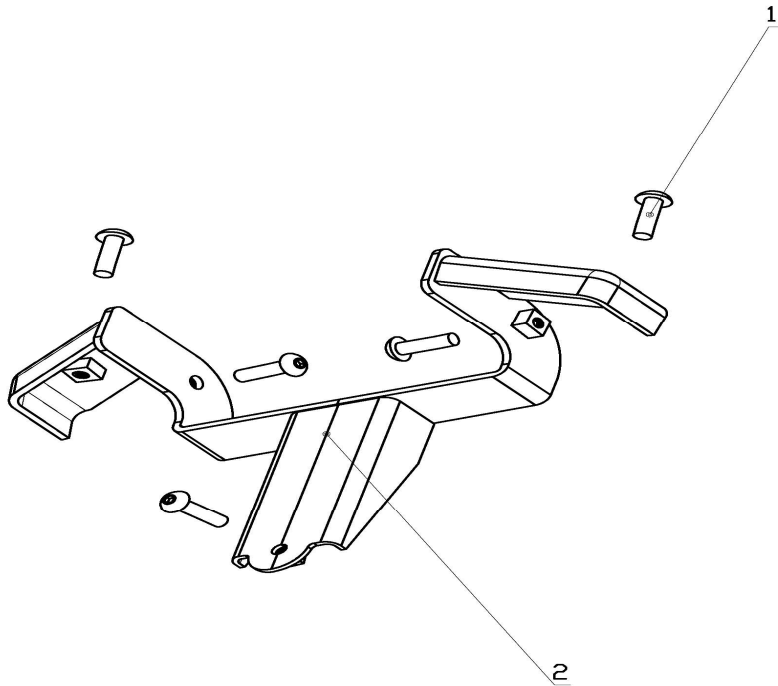
Item	Part Number	Description	Q.ty
1	18000-MW40-00RED	FRAME BODY (RED)	1
	18000-MW40-00BLU	FRAME BODY (BLUE)	
	18000-MW40-00BLA	FRAME BODY (BLACK)	
2	19110-MW40-00	SEAT INSTALLATION BUSHING	1
3	6301-2RS	BALL BEARING	2
4	30303-MW40-00	BUSHING	1
5	Q312-06-F32	CLIP NUT	2
6	Q218B-0616-A2	BOLT M6x16	4
7	32004-MW40-01	SEAT BRACKET	1
8	Q185-1070-F32	BOLT M10x70	2
9	Q323-10-F32	LOCK NUT M10	2



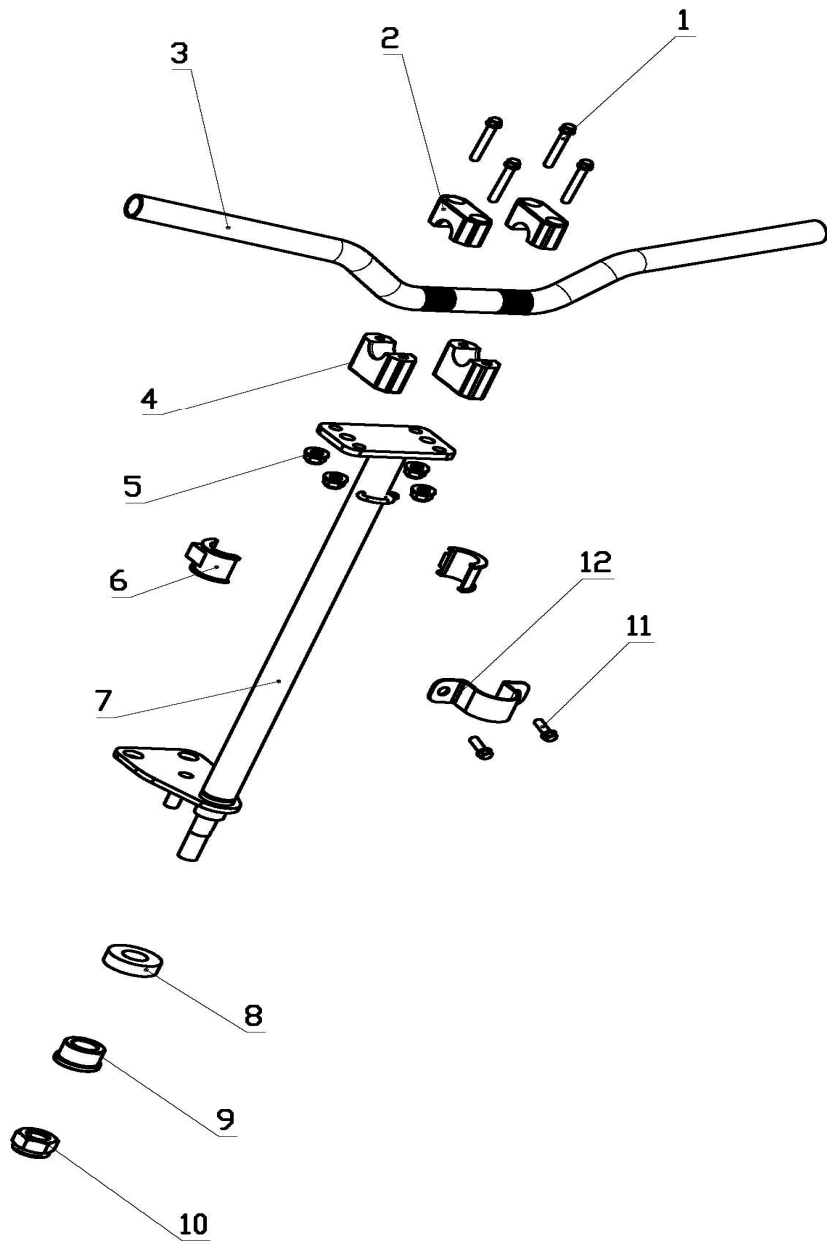
Item	Part Number	Description	Q.ty
1	Q218C-0812-A2	BOLT M8x12	4
2	61002-MW40-00	REAR BRAKE DISC	1
3	Q218B-0620-A2	BOLT M6x20	6
4	26004-MW10-00	FR LH/RR RH REAR BRAKE CALIPER	2
	26004-MW10-00PAD	REAR BRAKE PADS (110)	2
5	42400-MW40-00	REAR BRAKE TUBE	1
6	27500-MW40-00	FRONT BRAKE MASTER CYLINDER	1
7	42300-MW40-00	FRONT BRAKE TUBE	1
8	26001-MW30-00	FR RH BRAKE CALIPER	2
	26001-MW30-00PAD	FRONT BRAKE PADS (110)	2
9	26101-MW10-00	FRONT BRAKE DISC	2
10	Q218C-0510-A2	BOLT M5x10	12
11	27600-MW40-00	REAR BRAKE MASTER CYLINDER	1

D-3: FRONT BUMPER SUBFRAME

Item	Part Number	Description	Q.ty
1	Q218C-0616-A2	BOLT M6x10	5
2	21003-MW40-00RED	FRONT BUMPER SUBFRAME (RED)	1
	21003-MW40-00BLU	FRONT BUMPER SUBFRAME (BLUE)	
	21003-MW40-00BLA	FRONT BUMPER SUBFRAME (BLACK)	

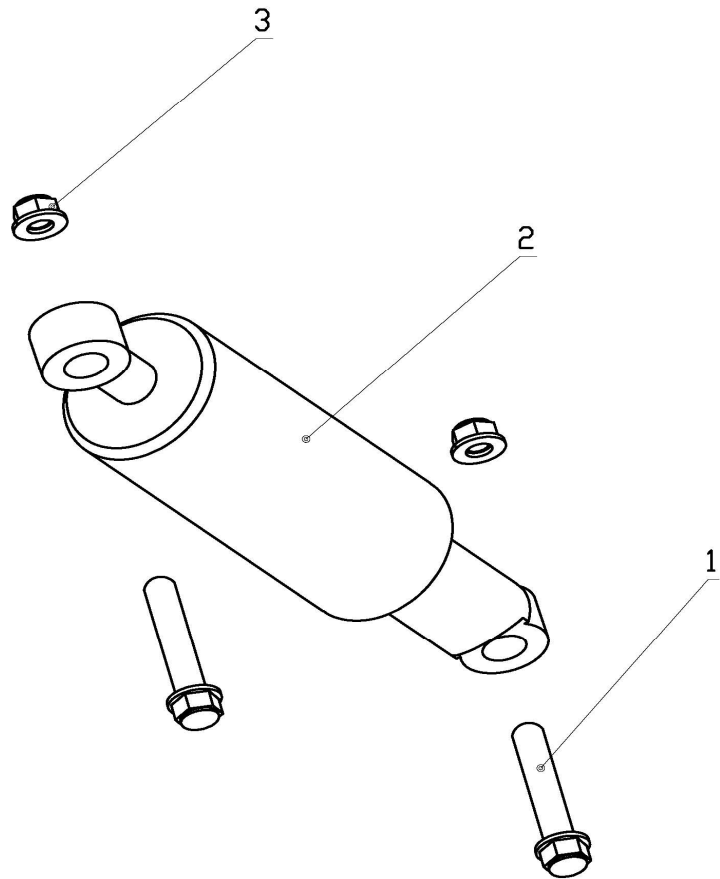


D-4: STEERING SYSTEM

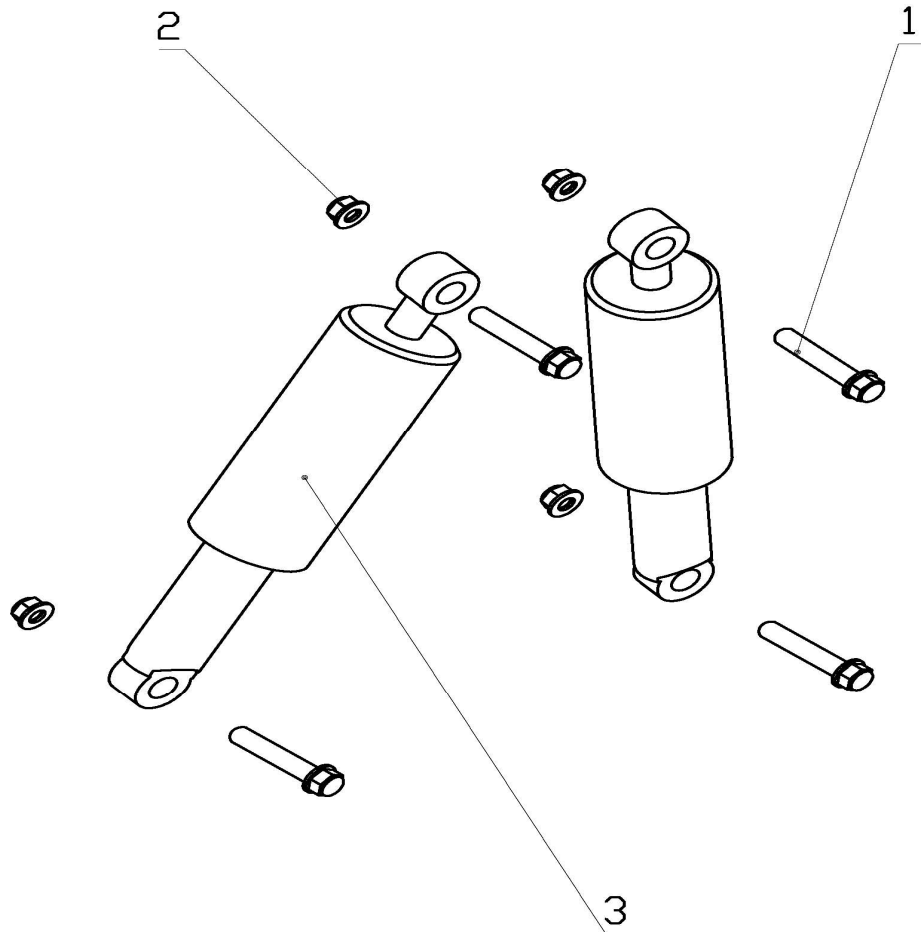


Item	Part Number	Description	Q.ty
1	Q218B-0865-A2	BOLT M6x65	4
2	30003-MW40-00	UPPER HANDLEBAR CLAMP	2
3	26800-MW40-00RED	HANDLEBAR (RED)	1
	26800-MW40-00BLU	HANDLEBAR (BLUE)	
	26800-MW40-00BLA	HANDLEBAR (BLACK)	
4	30004-MW40-00	LOWER HANDLEBAR CLAMP	2
5	Q323-08-F32	LOCK NUT M8	4
6	51008-MW40-00	STEERING SHAFT SEALING	2
7	30005-MW40-00	STEERING SHAFT (BLACK)	1
8	6002-2RS	BALL BEARING	1
9	32020-MW40-00	BUSHING	1
10	Q323-10-F32	LOCK NUT M10	1
11	Q185-0816-F32	BOLT M6x16	2
12	30022-MW40-00	STEERING SHAFT BRACKET	1

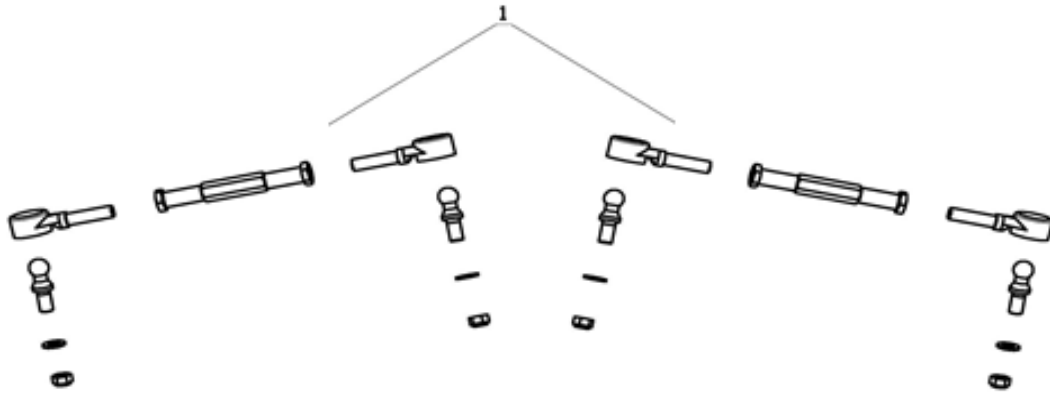
Item	Part Number	Description	Q.ty
1	Q185-1040-F32	BOLT M10x40	2
2	30201-MW40-00	REAR SHOCK ABSORBER	1
3	Q323-10-F32	LOCK NUT M10	2

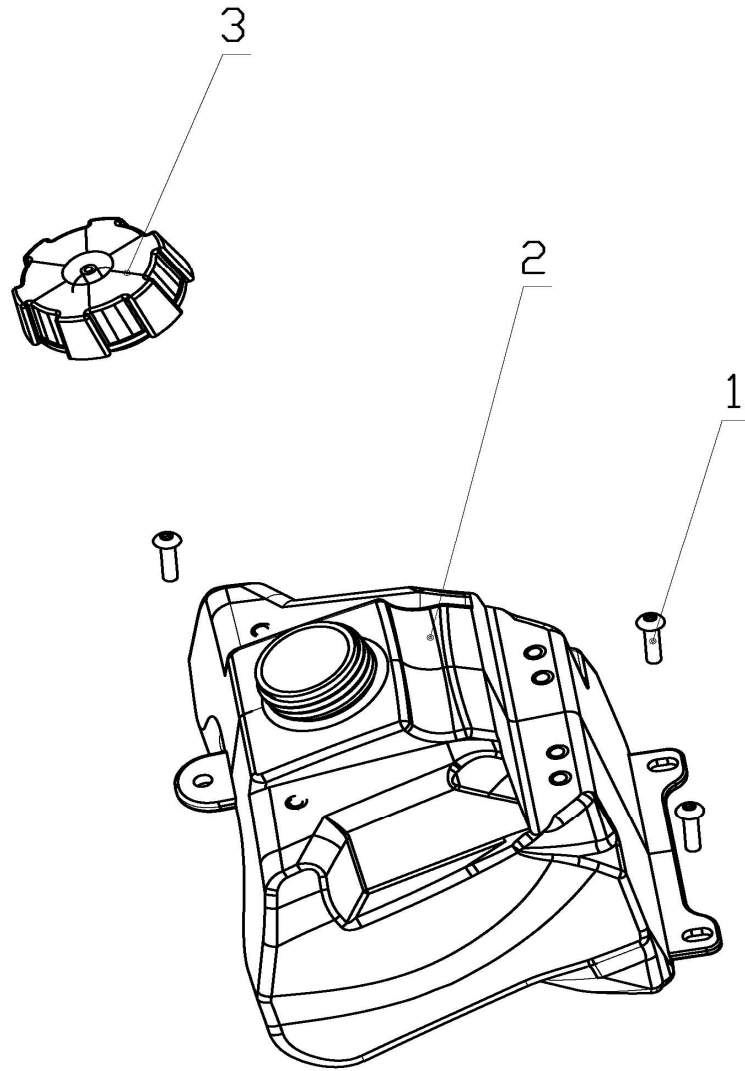


Item	Part Number	Description	Q.ty
1	Q185-1040-F32	BOLT M10x40	4
2	Q323-10-F32	LOCK NUT M10	4
3	30100-MW40-00	FRONT SHOCK ABSORBER	2

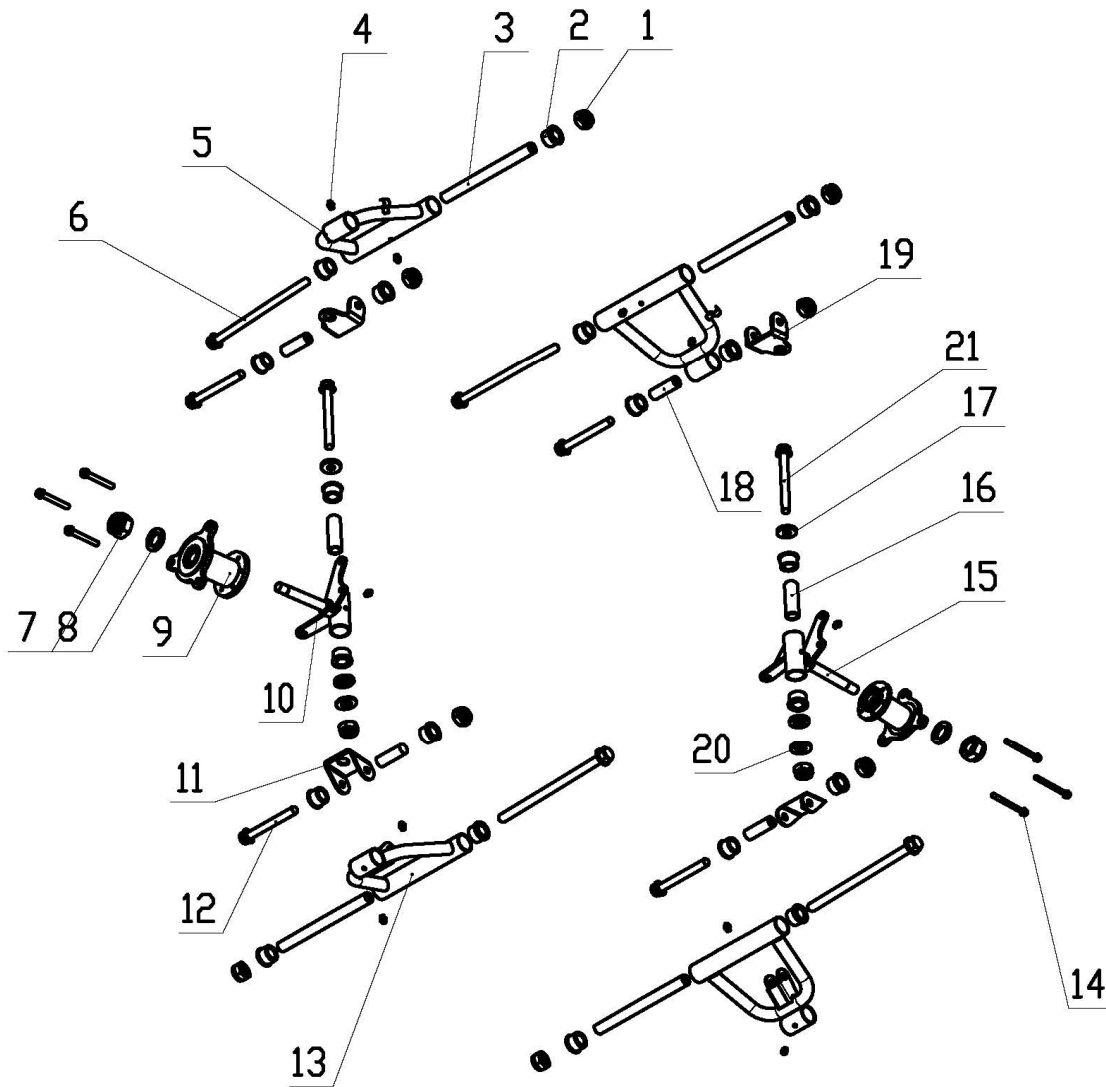


Item	Part Number	Description	Q.ty
1	30428-MW40-00	STEERING TIE ROD ASSY.	2





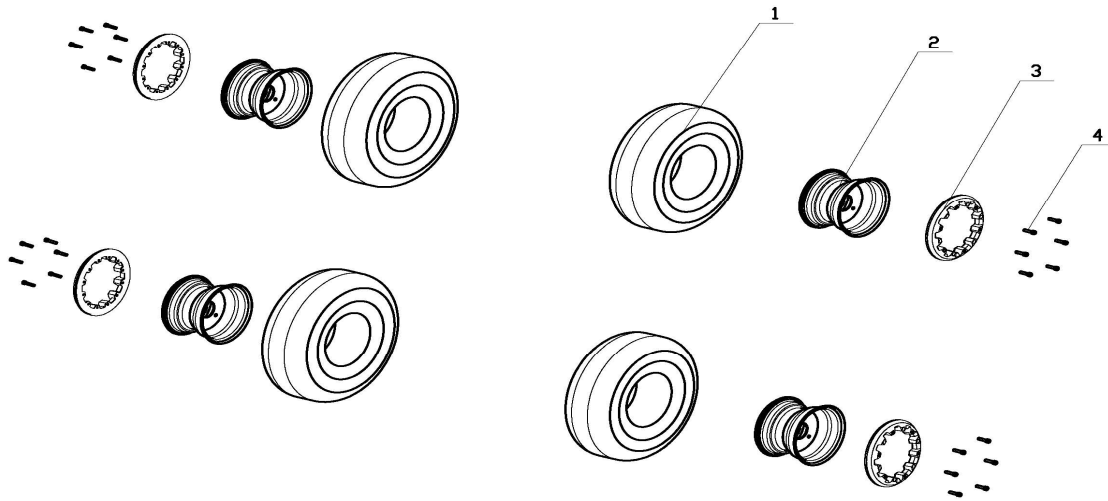
Item	Part Number	Description	Q.ty
1	Q218C-0616-A2	BOLT M6x16	3
2	16100-MW40-00	FUEL TANK	1
3	16200-MW40-00	FUEL TANK CAP	1



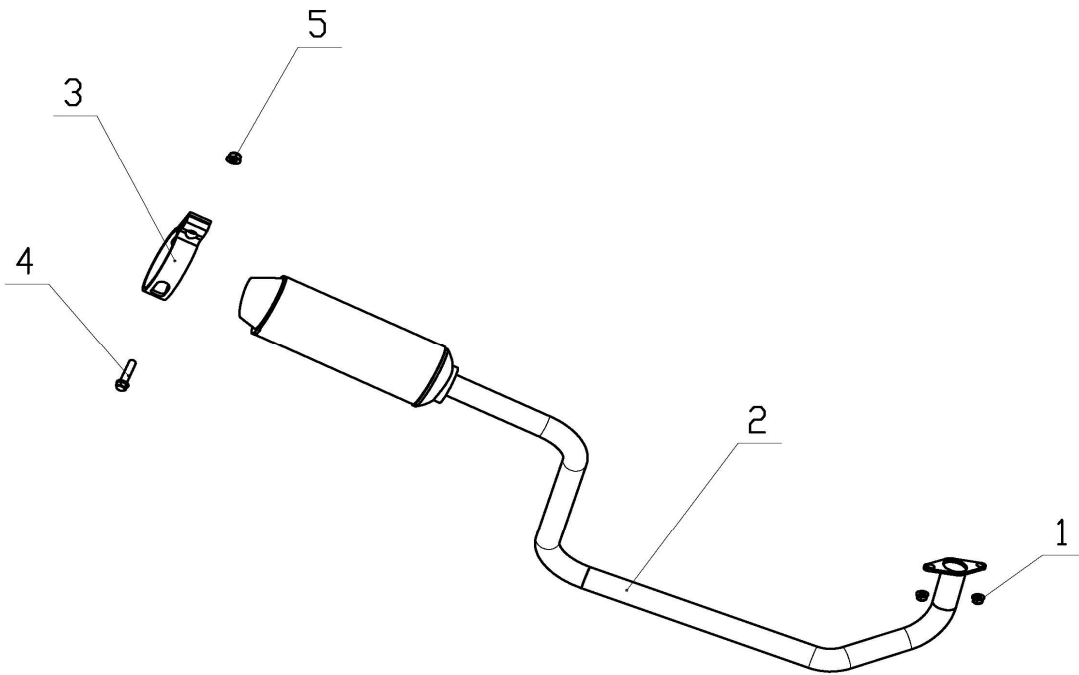
Item	Part Number	Description	Q.ty
1	Q323-10-F32	LOCK NUT M10	10
2	30408-MW40-00	BUSHING	20
3	30412-MW40-00	A-ARM SPACER	4
4	30414-MW40-00	GREASE CONTAIN SET	10
5	30403-MW40-00RED	UPPER A-ARM (RED)	2
	30403-MW40-00BLU	UPPER A-ARM (BLUE)	
	30403-MW40-00BLA	UPPER A-ARM (BLACK)	
6	Q185-10210-F32	BOLT M10x210	4
7	Q323-14-F32	NUT M14	2
8	Q400-14-A2	WASHER Ø14	2
9	30407-MW40-00	A-ARM BUSHING	2
10	30406-MW40-00RED	LH STEERING KNUCKLE (RED)	1
	30406-MW40-00BLU	LH STEERING KNUCKLE (BLUE)	
	30406-MW40-00BLA	LH STEERING KNUCKLE (BLACK)	
11	30418-MW40-00RED	KNUCKLE LOWER BRACKET (RED)	2
	30418-MW40-00BLU	KNUCKLE LOWER BRACKET (BLUE)	
	30418-MW40-00BLA	KNUCKLE LOWER BRACKET (BLACK)	
12	Q185-1070-F32	BOLT M10x70	4
13	30404-MW40-00RED	LOWER A-ARM (RED)	2
	30404-MW40-00BLU	LOWER A-ARM (BLUE)	
	30404-MW40-00BLA	LOWER A-ARM (BLACK)	
14	Q185-0820-F32	BOLT M8x20	6
15	30405-MW40-00RED	RH STEERING KNUCKLE (RED)	1
	30405-MW40-00BLU	RH STEERING KNUCKLE (BLUE)	
	30405-MW40-00BLA	RH STEERING KNUCKLE (BLACK)	
16	30411-MW40-00	STEERING KNUCKLE BUSHING	2
17	30410-MW40-00	WASHER Ø25	4
18	30409-MW40-00	STEERING KNUCKLE BRACKET SPACER	4
19	30417-MW40-00RED	KNUCKLE UPPER BRACKET (RED)	2
	30417-MW40-00BLU	KNUCKLE UPPER BRACKET (BLUE)	
	30417-MW40-00BLA	KNUCKLE UPPER BRACKET (BLACK)	
20	Q400-10-A2	WASHER Ø10	2
21	Q185-10110-F32	BOLT M10x110	2

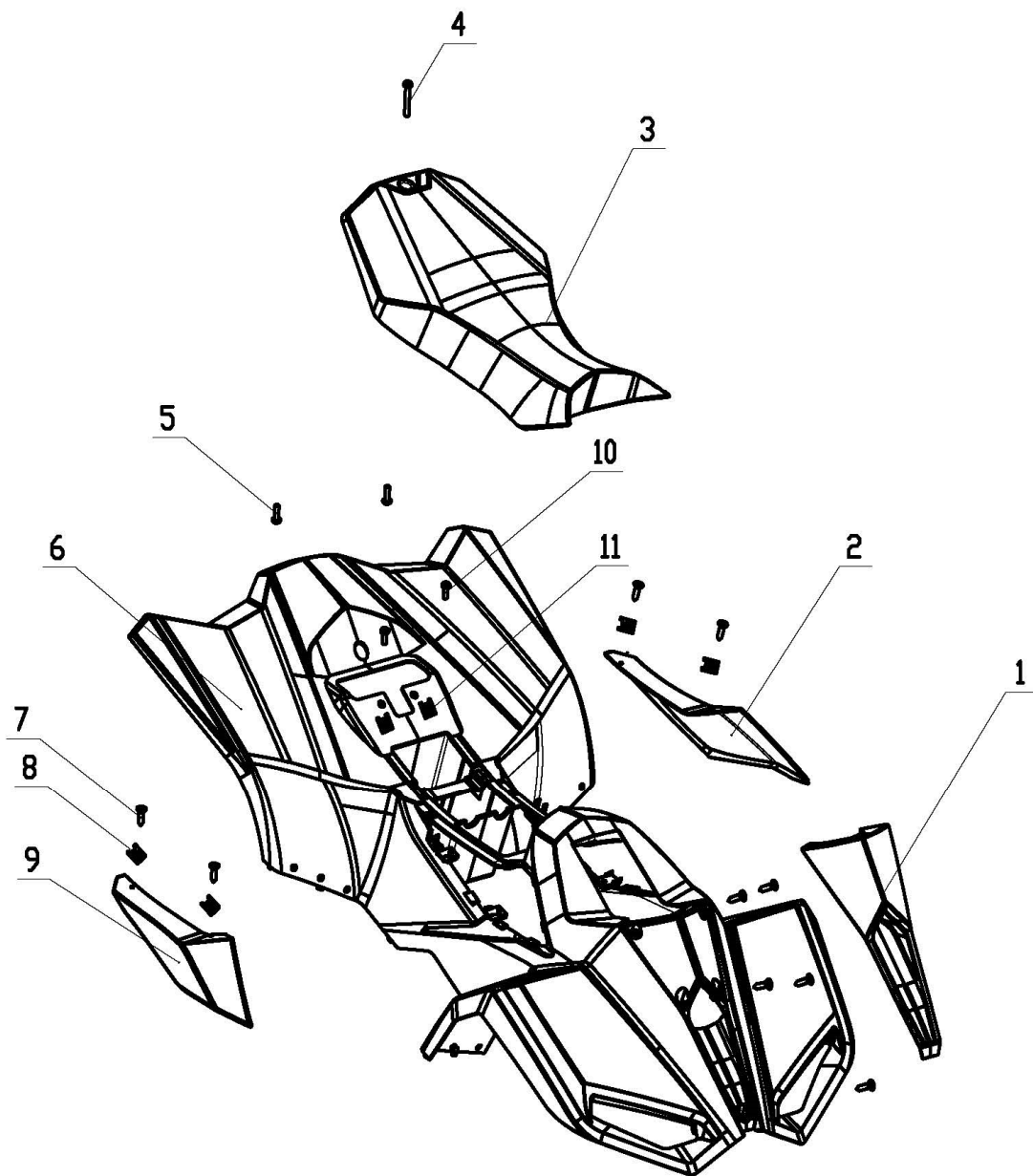
D-10: WHEELS

Item	Part Number	Description	Q.ty
1	25800-MW40-00	16x8-7"	4
2	25000-MW40-00	RIM	4
3	51011-MW40-00RED	RIM DECORATION (RED)	4
	51011-MW40-00YEL	RIM DECORATION (YELLOW)	
	51011-MW40-00PIN	RIM DECORATION (PINK)	
4	Q218B-0820-A2	BOLT M6x16	24



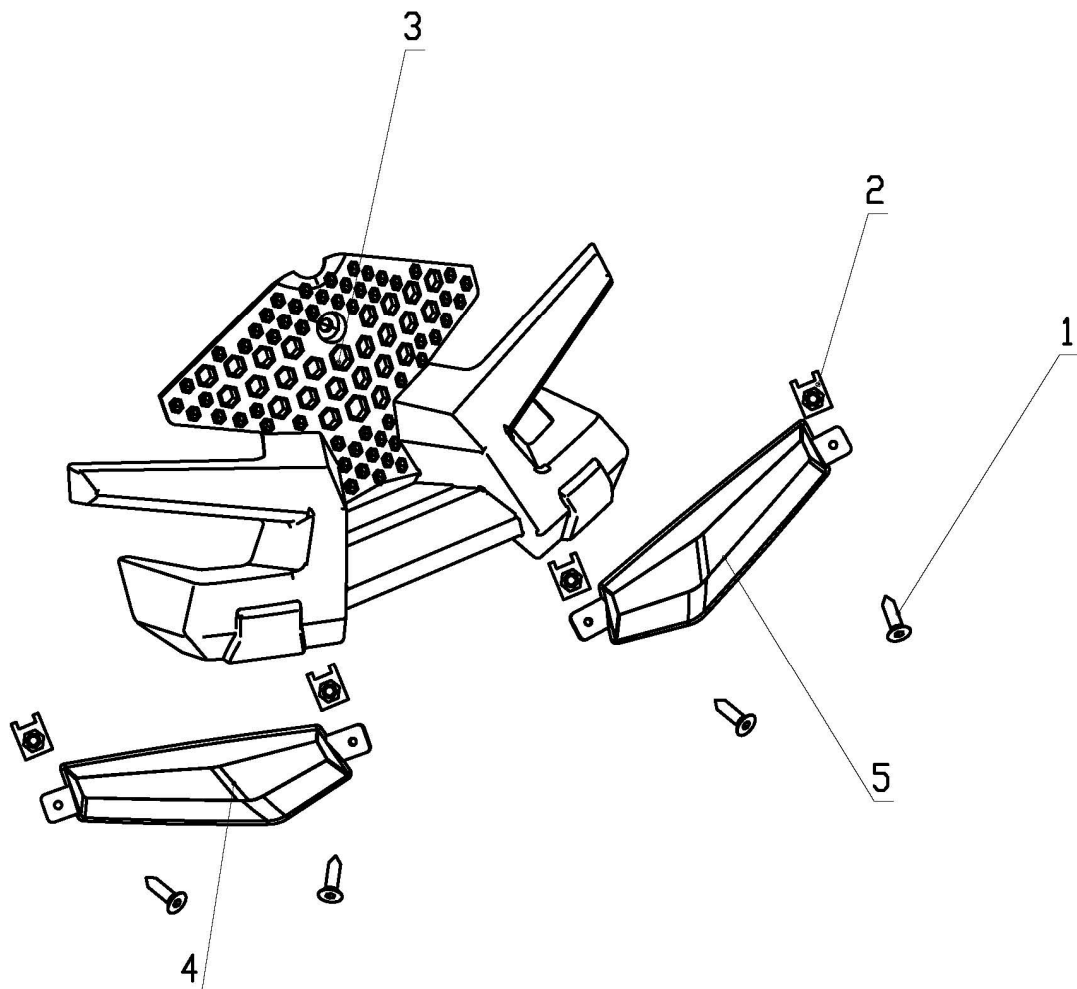
Item	Part Number	Description	Q.ty
1	Q328-06-A2	NUT M6	2
2	17001-MW40-00	EXHAUST MUFFLER	1
3	17009-MW40-00	MUFFLER BAND	1
4	Q185-0816-F32	BOLT M8x16	1
5	Q328-08-A2	NUT M8	1





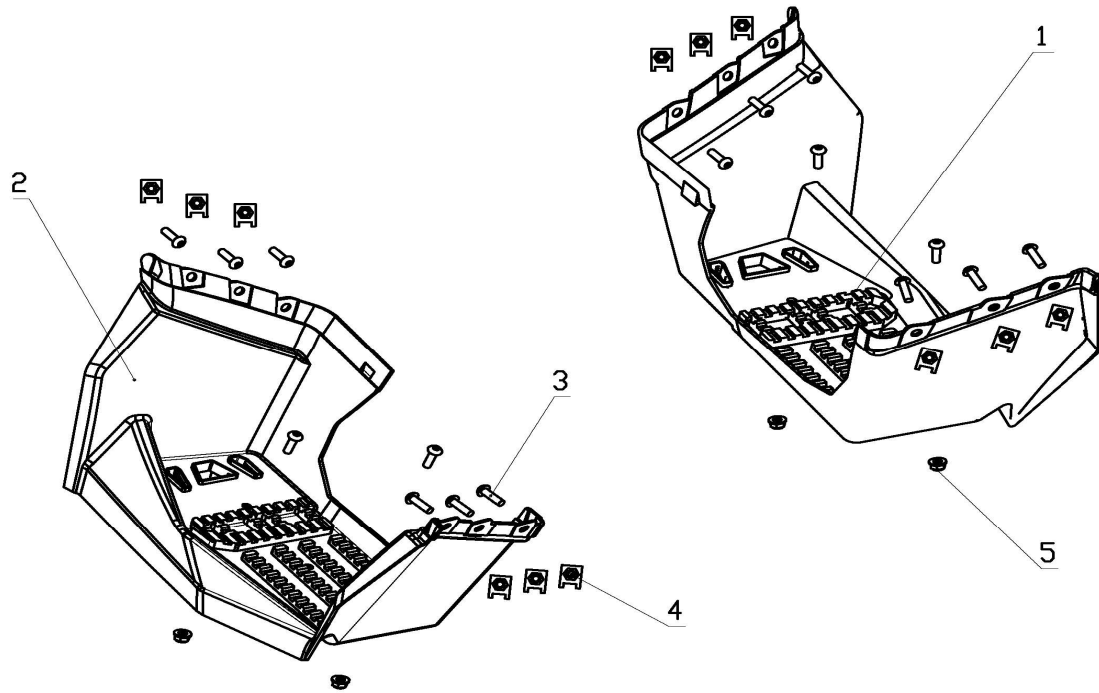
Item	Part Number	Description	Q.ty
1	51005-MW40-00RED	FRONT FENDER COVER (RED)	1
	51005-MW40-00YEL	FRONT FENDER COVER (YELLOW)	
	51005-MW40-00PIN	FRONT FENDER COVER (PINK)	
2	51006-MW40-00RED	LH SIDE PANEL (RED)	1
	51006-MW40-00YEL	LH SIDE PANEL (YELLOW)	
	51006-MW40-00PIN	LH SIDE PANEL (PINK)	
3	32001-MW40-00	SEAT	1
4	Q218C-0655-A2	BOLT M6x55	1
5	Q218C-0516-A2	BOLT M5x16	2
6	51001-MW40-00	FENDER COVER (WHITE)	1
7	Q271-4816-A2	SCREW 4,2x18	9
8	Q397-42-F30	PLATE NUT 4,2	4
9	51007-MW40-00RED	RH SIDE PANEL (RED)	1
	51007-MW40-00YEL	RH SIDE PANEL (YELLOW)	
	51007-MW40-00PIN	RH SIDE PANEL (PINK)	
10	Q218C-0616-A2	BOLT M6x16	2
11	51010-MW40-00	PLATE NUT M6	2

D-13: FRONT MOULDINGS



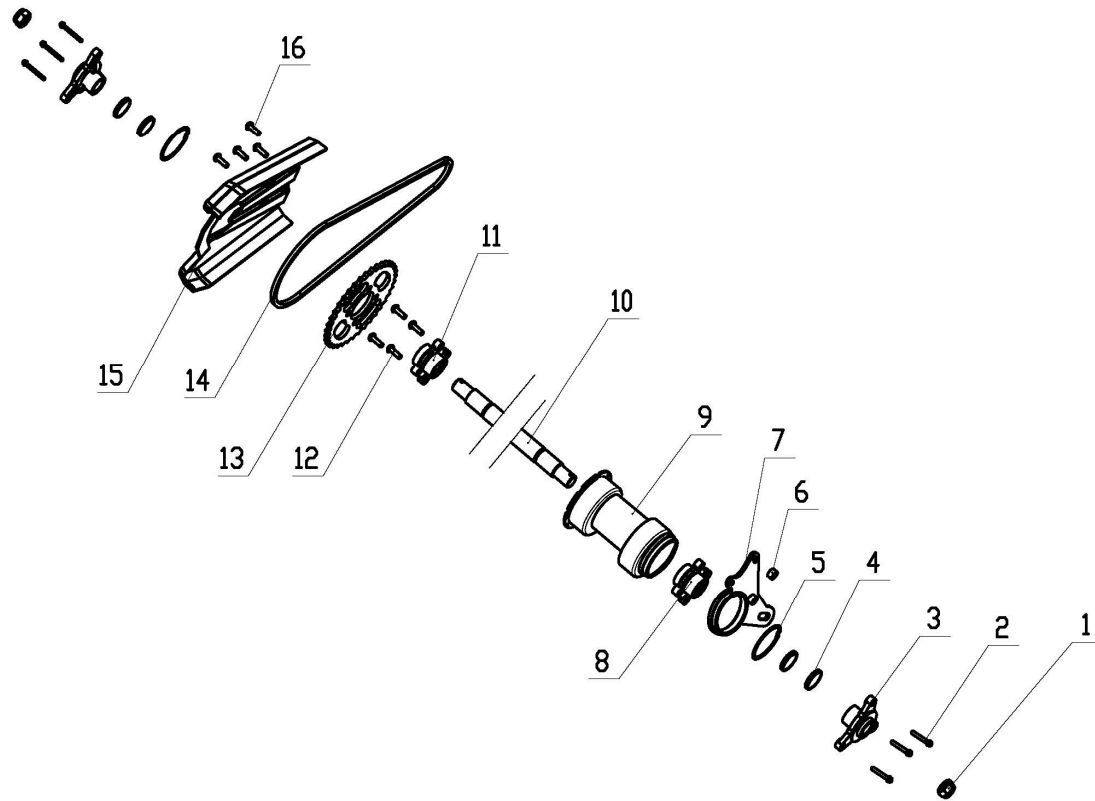
Item	Part Number	Description	Q.ty
1	Q271-4218-F30	SCREW 4,2x18	4
2	Q397-42-F30	PLATE NUT 4,2	4
3	51002-MW40-00RED	FRONT BUMPER (RED)	1
	51002-MW40-00YEL	FRONT BUMPER (YELLOW)	1
	51002-MW40-00PIN	FRONT BUMPER (PINK)	1
4	51004-MW40-00	RH FRONT FENDER MOULDING	1
5	51003-MW40-00	LH FRONT FENDER MOULDING	1

D-14: FOOTRESTS

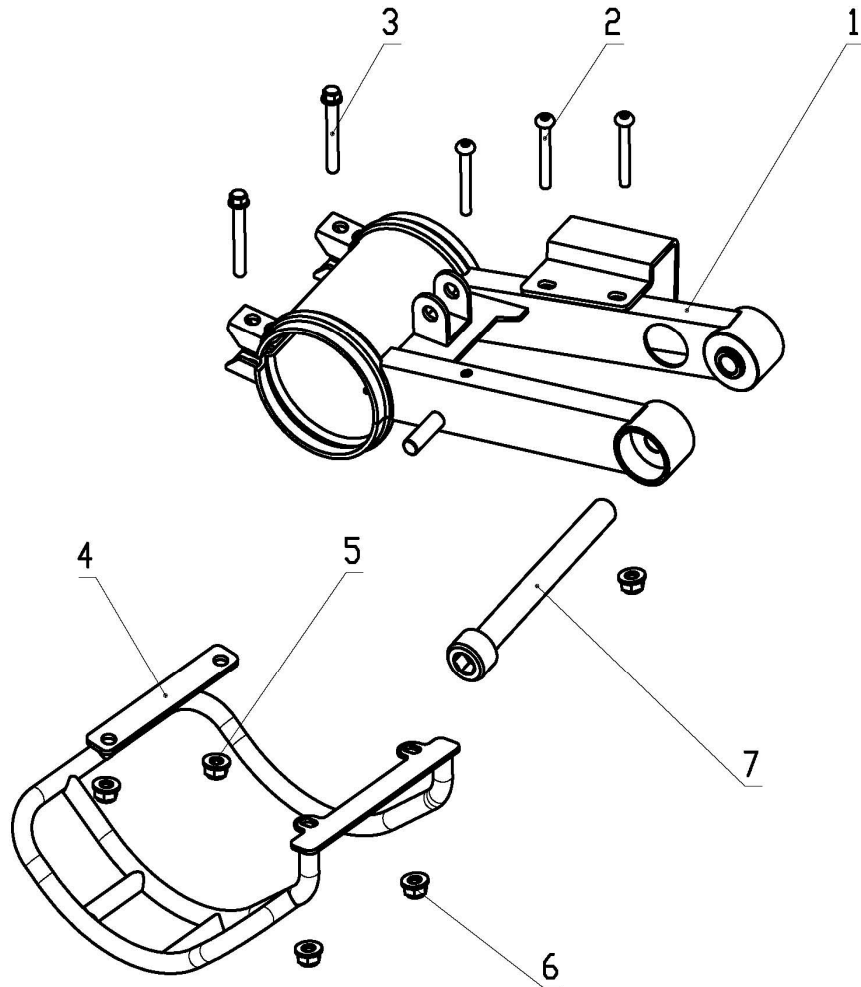


Item	Part Number	Description	Q.ty
1	51009-MW40-00	LH FOOTREST	1
2	51010-MW40-00	RH FOOTREST	1
3	Q218C-0612-A2	BOLT M6x16	16
4	Q312-06-F32	PLATE NUT 4,2	12
5	Q324-06-A2	NUT M6	4

D-15: REAR AXLE & FINAL TRANSMISSION

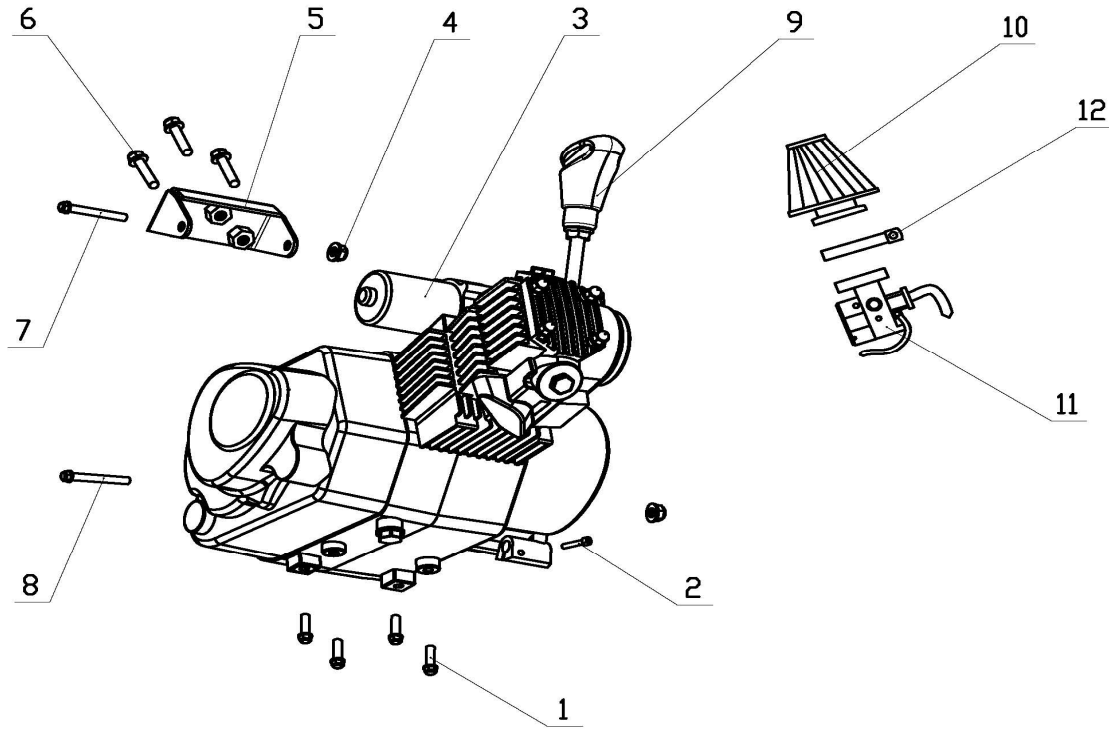


Item	Part Number	Description	Q.ty
1	Q323-20-F32	LOCK NUT M20	2
2	Q185-0820-F32	BOLT M8x20	6
3	30705-MW40-00	REAR WHEEL HUB	2
4	Q391-27-F31	NUT M27	4
5	Q431-02222-F32	CIRCLIP Ø22	2
6	NOT SOLD SEPARATELY		
7	30704-MW40-00	REAR BRAKE CALIPER HOLDER	1
8	30702-MW40-01	REAR BRAKE DISC HOLDER	1
9	30701-MW40-00	AXLE HUB	1
10	25701-MW40-00	AXLE	1
11	30702-MW40-00	FINAL SPROCKET HOLDER	1
12	Q218C-0816-A2	BOLT M8x16	4
13	31002-MW40-00	FINAL SPROCKET 428, 37T	1
14	31001-MW40-00	DRIVE CHAIN, 74P	1
15	30305-MW40-00	CHAIN PROTECTIVE COVER	1
16	Q218B-0616-A2	BOLT M6x16	4



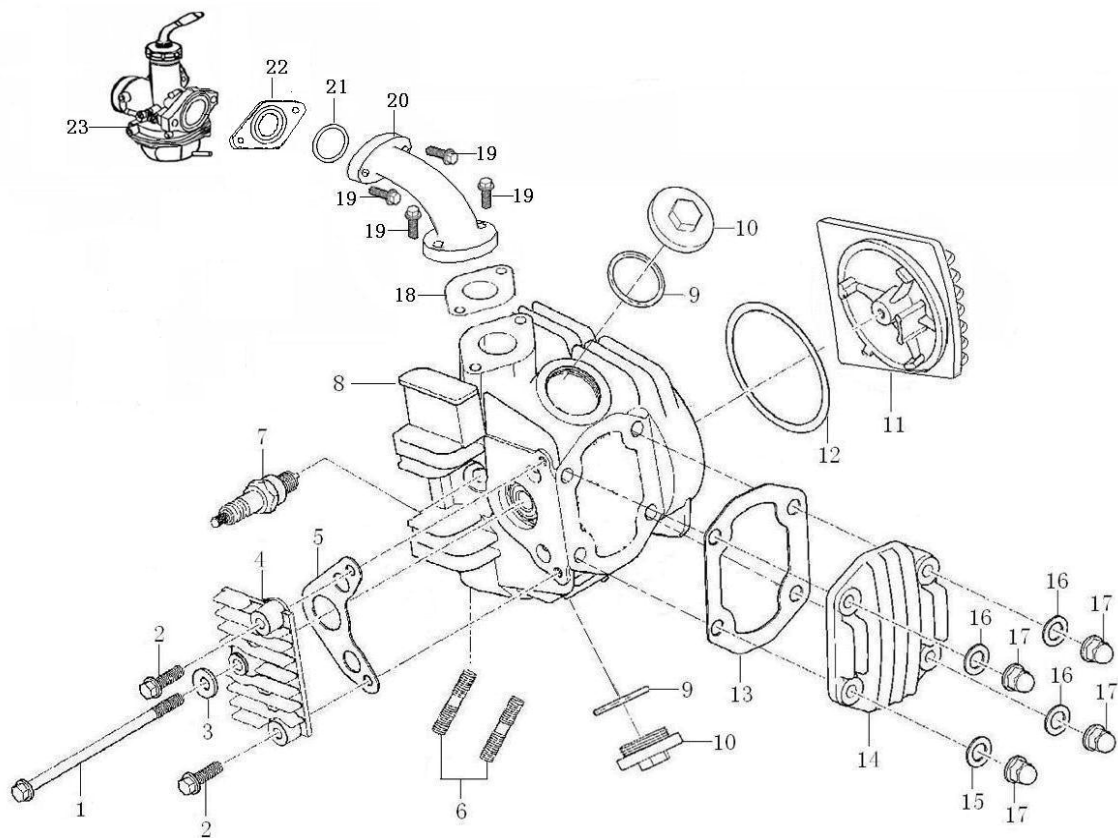
Item	Part Number	Description	Q.ty
1	30301-MW40-00RED	REAR SWING ARM (RED)	1
	30301-MW40-00BLU	REAR SWING ARM (BLUE)	
	30301-MW40-00BLA	REAR SWING ARM (BLACK)	
2	Q218B-0850-A2	BOLT M8x50	3
3	Q185-0855-F32	BOLT M8x55	2
4	30311-MW40-00RED	SWING ARM SKID PLATE (RED)	1
	30311-MW40-00BLU	SWING ARM SKID PLATE (BLUE)	
	30311-MW40-00BLA	SWING ARM SKID PLATE (BLACK)	
5	Q323-08-F32	NUT M8	3
6	Q323-08-F32	NUT M8	2
7	Q218B-12125-A2	BOLT M12x125	1

D-17: CARBURETOR & ENGINE ASS'Y

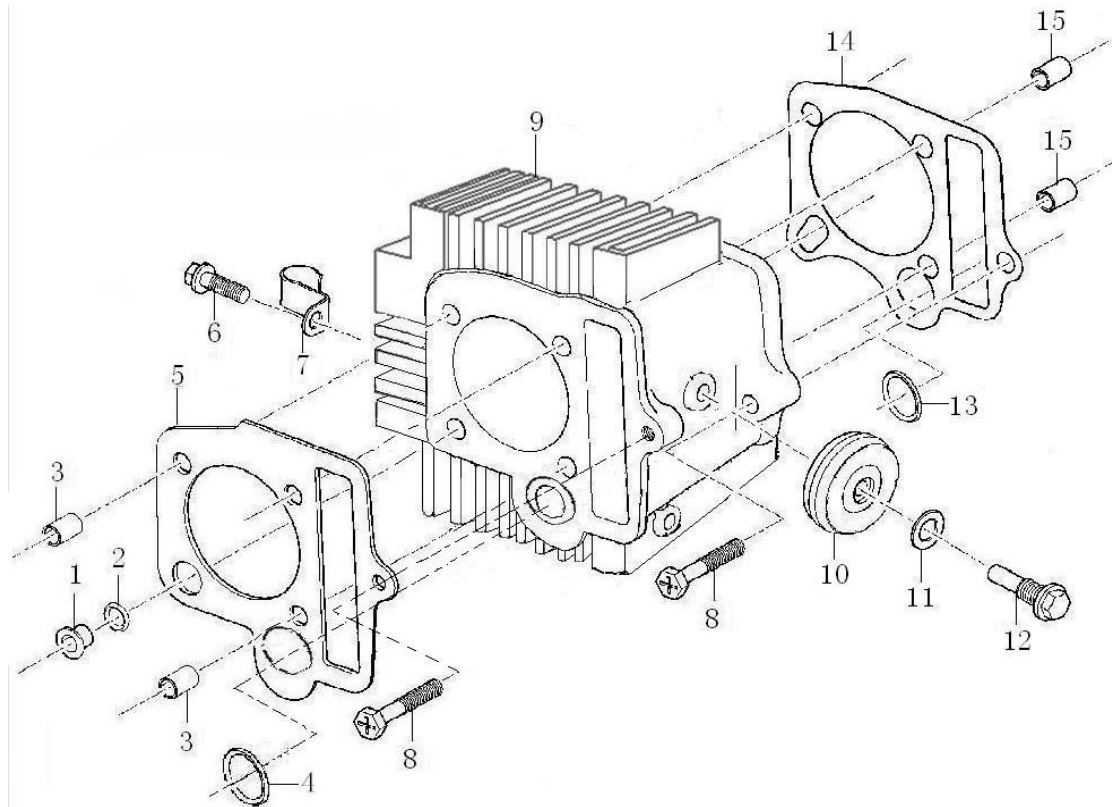


Item	Part Number	Description	Q.ty
1	Q185-0816-F32	BOLT M8x16	4
2	Q218B-0625-A2	BOLT M6x25	1
3	11000-MW40-00	ENGINE ASS'Y	1
4	Q324-08-A2	NUT M8	2
5	18101-MW40-00RED	ENGINE BRACKET (RED)	1
	18101-MW40-00BLU	ENGINE BRACKET (BLUE)	
	18101-MW40-00BLA	ENGINE BRACKET (BLACK)	
6	Q185-0820-F32	BOLT M8x20	3
7	Q185-08115-F32	BOLT M8x115	1
8	Q185-08100-F32	BOLT M8x100	1
9	11400-MW40-00	GEAR LEVER	1
10	15000-MW40-00	AIR FILTER ELEMENT	1
11	16000-MW40-00	CARBURETOR ASS'Y	1
12	15003-MW40-00	BAND	1

D-18: CYLINDER HEAD

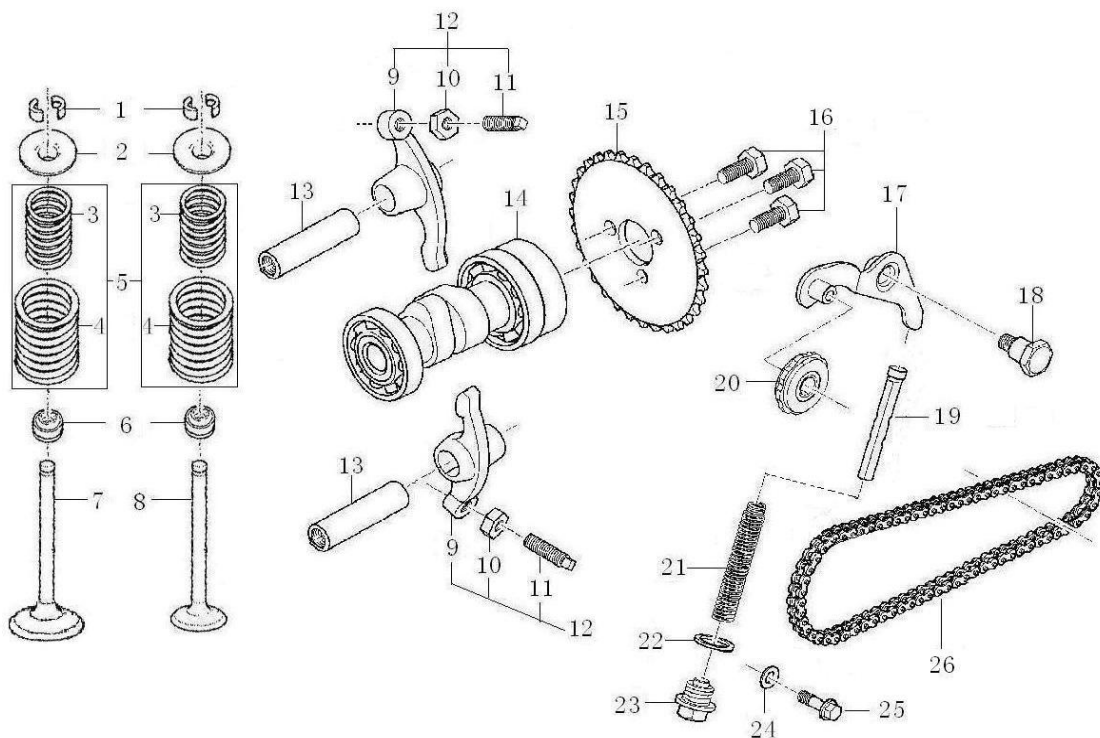


Item	Part Number	Description	Q.ty
1	91192-D002-00000X	BOLT M6×110	1
2	B16674A006002070X	BOLT M6×20	2
3	93301-70651012000	WASHER 6.5×1×12	1
4	11228-G011-01000W	RIGHT COVER, CYLINDER HEAD	1
5	90203-D002-0000	GASKET,R.CYLINDER HEAD COVER	1
6	91138-I015-00000X	BOLT M6×32	2
7	81300-G011-0000	SPARK PLUG	1
8	1122B-HZ30-03000W	CYLINDER HEAD ASSY	1
9	90101-20296000320	O-RING 29.6×3.2	2
10	11230-D002-00000W	COVER, VALVE CHAMBER	2
11	11227-G011-01000W	LEFT COVER, CYLINDER HEAD	1
12	90202-D002-0000	GASKET,L,CYLINDER HEAD COVER	1
13	90201-D002-0000	GASKET, CYLINDER HEAD UPPER COVER	1
14	11226-G011-00000W	UPPER COVER, CYLINDER HEAD	1
15	93301-80732514000	WASHER 7.3×2.5×14	1
16	93301-2073251400B	WASHER 7.3×2.5×14	3
17	91201-G011-00000X	NUT M7	4
18	15810-G001-0000	GASKET, INLET PIPE	1
19	B057830006002520X	BOLT M6×25	4
20	15800-F009-0004	INLET PIPE	1
21	90101-10250000240	O-RING 25×2.4	1
22	90214-G011-0000	GASKET, CARBURETOR	1
23	17100-0000-0012	CARBURETOR	1



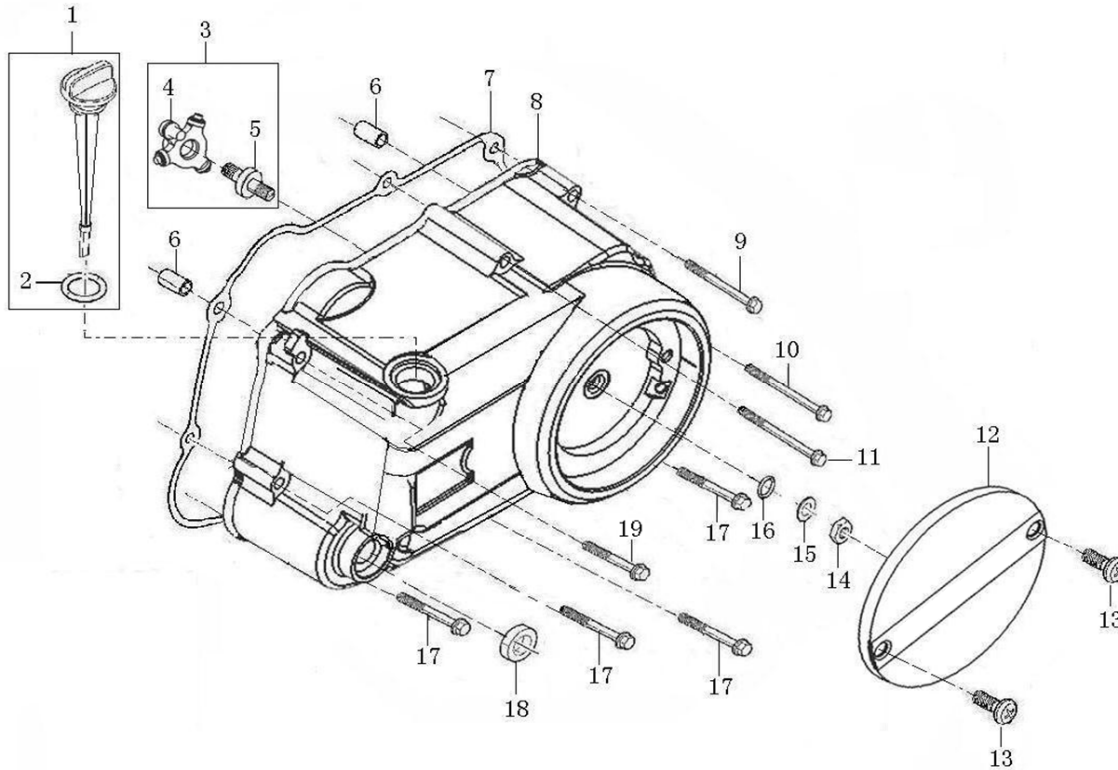
Item	Part Number	Description	Q.ty
1	11235-D002-0000	BUSH 9.5	1
2	90102-D002-0001	RECTANGLE RING 8×10.8×1.5	1
3	91521-08001400070	PIN 8×14×7	2
4	90102-D002-0003	RECTANGLE RING 14×18.2×2.5	1
5	9022B-HZ30-0000	GASKET ASSY,CYLINDER HEAD	1
6	B16674A006001670X	BOLT M6×16	1
7	11003-D002-00000X	CLIP, HIGH VOLTAGE WIRE	1
8	91113-D002-00000X	BOLT M6×23	2
9	1110B-HZ30-00000Y	CYLINDER BLOCK ASSEMBLY	1
10	1533A-HZ30-0000	GUIDE CHAIN ROLLER SET	1
11	93301-70801514000	WASHER 8.5×1.5×14	1
12	15302-D002-00000X	GUIDE CHAIN ROLLER PIN	1
13	90102-D002-0002	RECTANGLE RING 11.5×16×2.5	1
14	90205-HZ30-0000	GASKET,CYLINDER BLOCK	1
15	91521-08001200070	PIN 8×12×7	2

D-20: VALVE TRAIN

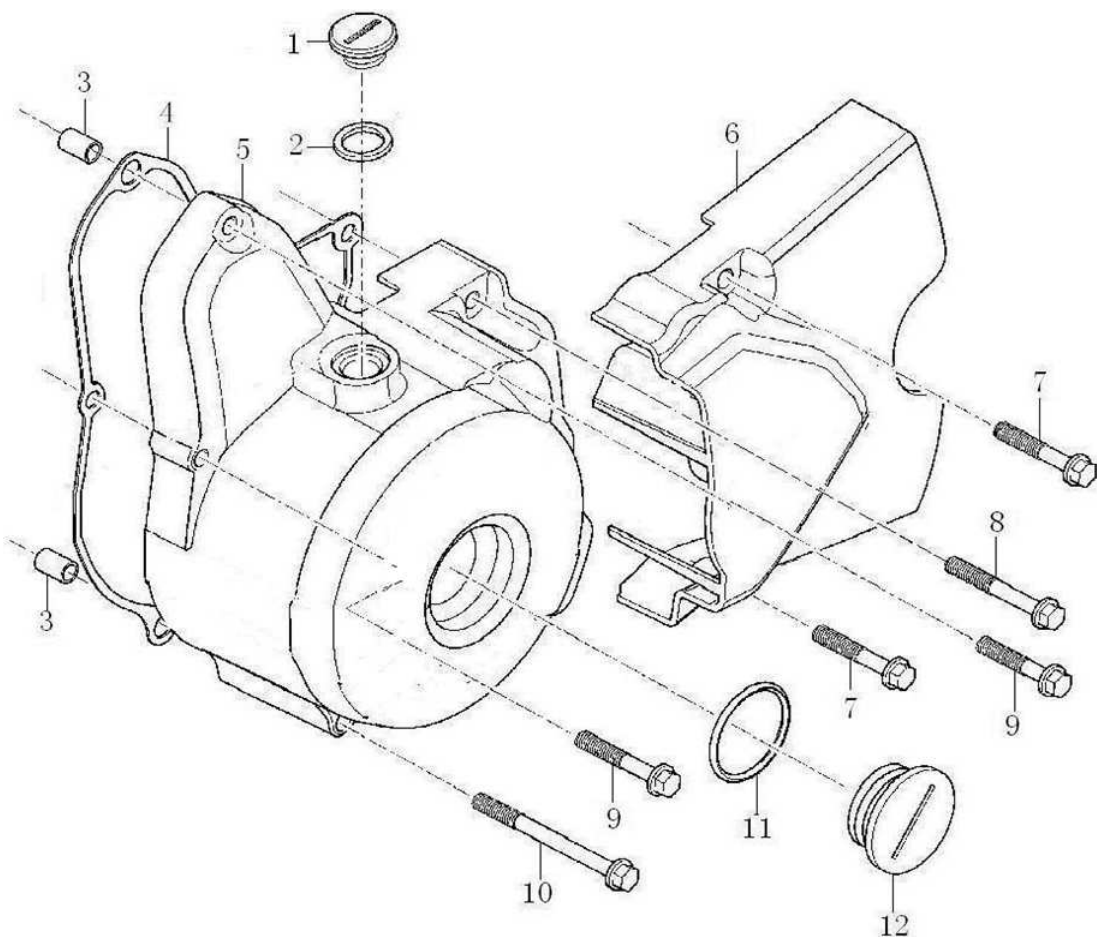


Item	Part Number	Description	Q.ty
1	15707-D002-0000	VALVE COTTER	4
2	15705-D002-0000	SPRING SEAT	2
3	15704-D002-0200	VALVE INNER SPRING	2
4	15703-D002-0000	VALVE OUTER SPRING	2
5	15710-D002-0200	INNER SPRING,ASSY	2
6	1572B-D002-0000	SEAL, VALVE STEM	2
7	15701-D002-0000	INLET VALVE	1
8	15702-D002-0000	EXHAUST VALVE	1
9	15401-D002-0000	ROCKER ARM	2
10	15403-D002-0000	NUT,VALVE CLEARANCE	2
11	15404-D002-0000	SCREW, VALVE CLEARANCE	2
12	1540A-D002-0000	ROCKER ARM ASSEMBLY, VALVE	2
13	15402-D002-0000	ROCKER SHAFT	2
14	15100-G011-0005	GAMP SHAFT COMP	1
15	15301-D002-0000	TIMING DRIVEN SPROCKET	1
16	91191-D002-0000	BOLT M5×12	3
17	1556B-D002-0000	CHAIN ADJUSTING SET	1
18	15505-D002-0000	AXLE, TENSIONER LEVER	1
19	1555B-D002-0000	CHAIN TYHT SET	1
20	1554B-D002-0000	LIFTER ASSY	1
21	15503-D002-0000	SPRING	1
22	93301-71401520000	WASHER 14.5×1.5×20	1
23	91105-D002-00000X	SEALING PLUG M14×1.5	1
24	93301-70621513000	WASHER 6.2×1.5×13	1
25	B16674C006001870X	BOLT M6×18	1
26	1532B-G011-0000	SPROKET CHAIN	1

D-21: RH CRANKCASE COVER

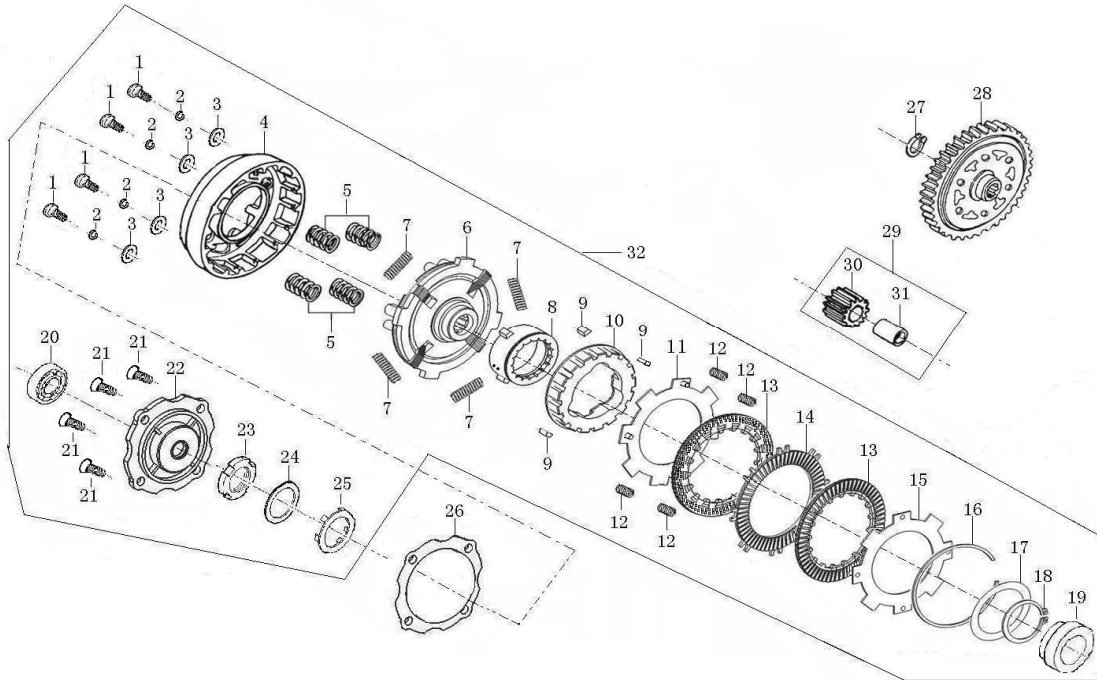


Item	Part Number	Description	Q.ty
1	14301-G011-0000	OIL RULER ASSY	1
2	90101-10180000300	O-RING 18×3	1
3	2244A-G031-00000X	CLUTCH TAPPET	1
4	22440-G011-0000	CLUTCH TAPPET	1
5	91112-G031-00000X	BOLT M8	1
6	91521-08001200063	PIN 8×12×6.3	2
7	90206-D002-0000	GASKET, R.CRANKCASE COVER	1
8	12421-G031-000089	COVER COMP. RIGHT CRANKCASE	1
9	B16674A006008070X	BOLT M6×80	1
10	B16674A006009070X	BOLT M6×90	1
11	B16674A006006570X	BOLT M6×65	1
12	12425-G001-000189	DECORATE COVER,R.CRANKCASE COVER	1
13	B008200006001620X	SCREW M6×16	2
14	B061700008000060X	NUT M8	1
15	B0009701080000M0B	WASHER φ8	1
16	90101-10080000180	O-RING 8×1.8	1
17	B16674A006004070X	BOLT M6×40	4
18	90304-D002-0000	OIL SEAL 13.8×24×5	1
19	B16674A006004270X	BOLT M6×42	1



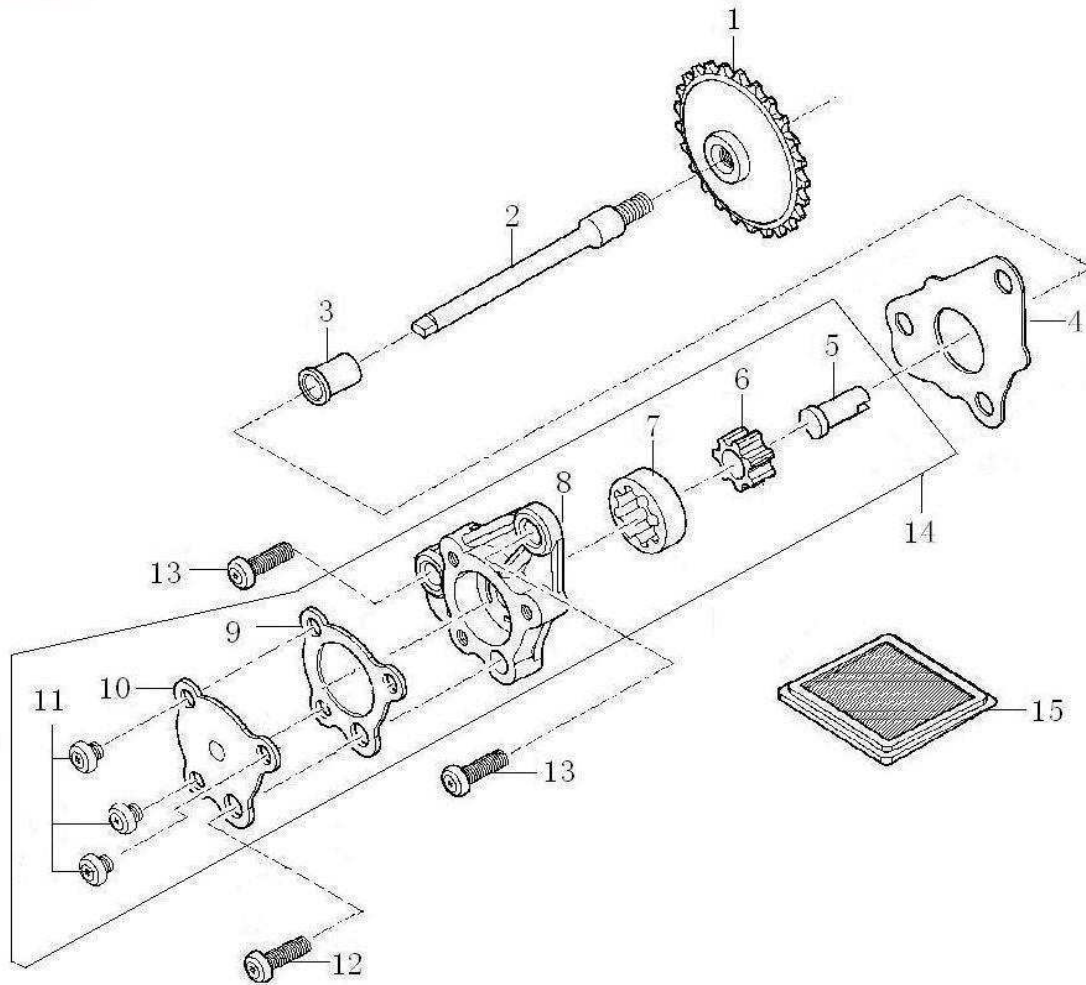
Item	Part Number	Description	Q.ty
1	12303-G011-000089	CAP, SMALL VIEW HOLE	1
2	90101-10132000265	O-RING 13.2x2.65	1
3	91521-08001200063	PIN 8x12x6.3	2
4	90204-G011-0000	GASKET, L.CRANKCASE COVER	1
5	12301-G011-L00189	FRONT PART, L.CRANKCASE COVER	1
6	12302-G011-000089	BACK PART, L.CRANKCASE COVER	1
7	B16674A006002870X	BOLT M6x28	2
8	B16674A006005070X	BOLT M6x50	1
9	B16674A006003270X	BOLT M6x32	2
10	B16674A006007070X	BOLT M6x70	1
11	90101-10274000265	O-RING 27.4x2.65	1
12	12304-G011-000089	CAP, BIG VIEW HOLE	1

D-23: CLUTCH SYSTEM

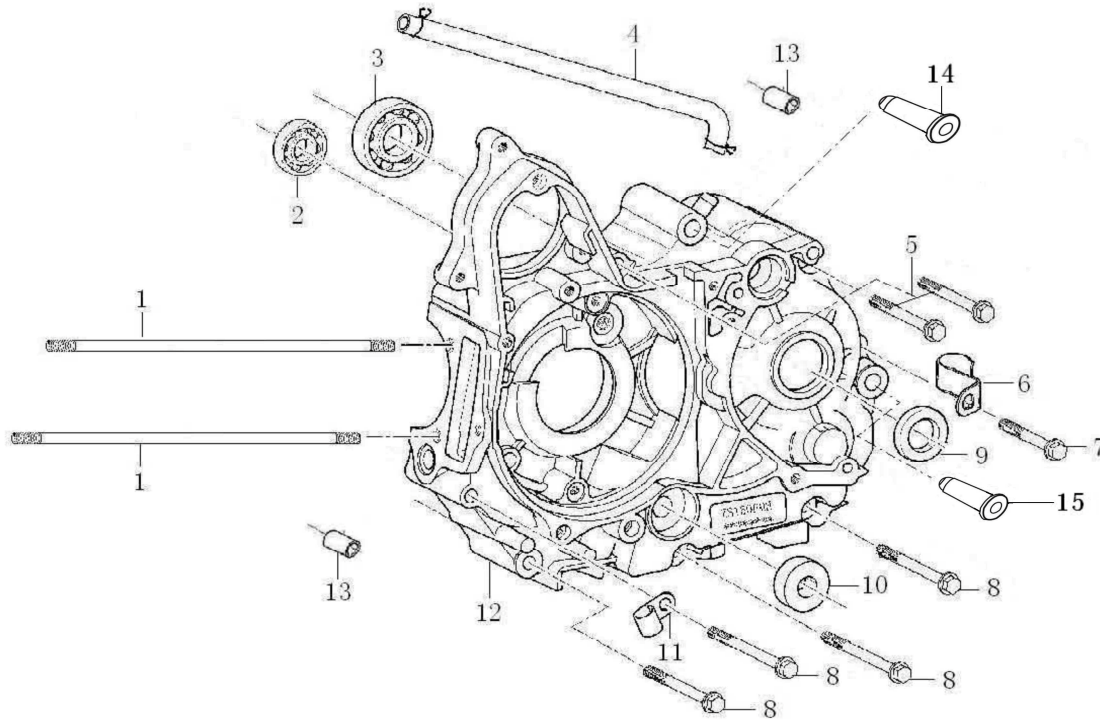


Item	Part Number	Description	Q.ty
1	B008180005001220B	SCREW M5×12	4
2	B000930005000000B	WASHER φ5	4
3	B0009600050000K0B	WASHER φ5-140HV	4
4	22151-IA30-0000	OUTER CASE, CLUTCH	1
5	22142-IA30-0100	SPRING, CLUTCH	4
6	22110-IA30-0000	DRIVE PLATE COMP	1
7	22144-D002-0000	ABSORBING SPRING	4
8	22109-G031-0000	ALIGNING SLIDING BUSH	1
9	22106-IA30-0000	CLUTCH DASH POT SLIPCOVER	3
10	22102-IA30-0000	HUB,CLUTCH SLEEVE	1
11	2213B-IA30-0000	CLUTCH TOP PLATE	1
12	22143-IA30-0100	CLUTCH CUT SPRING	4
13	22215-G031-0000	OUTER FRICTION DISK A	2
14	22214-G031-0000	DRIVE FRICTION DISK	1
15	2212B-G031-0000	CLUTCH BELOW PLATE	1
16	91403-D002-0000	ELASTIC CHECK RING	1
17	22129-G031-0000	SHOCK ABSORBER PLATE	1
18	B0089401450000000	CIRCLIP 45	1
19	22135-D002-0000	SLEEVE	1
20	92102-00000006000	BEARING (6000)	1
21	B008190205001220B	SCREW M5×12	4
22	22121-G031-0000	END COVER,CLUTCH	1
23	91202-D002-0000	LOCK NUT, CLUTCH	1
24	22004-D002-0000	DISH WASHER, CLUTCH	1
25	22001-D002-0000	STOP WASHER, CLUTCH	1
26	90218-G031-0000	GASKET,END COVER	1
27	23226-D002-0000	CIRCLIP	1
28	2312B-G031-0000	DRIVEN GEAR COMP	1
29	23110-G031-0000	DRIVEN GEAR	1
30	23101-G031-0000	PRIMARY DRIVE GEAR	1
31	23102-G031-0000	AXLE SLEEVE	1
32	22000-IA30-2000	CLUTCH ASSY	1

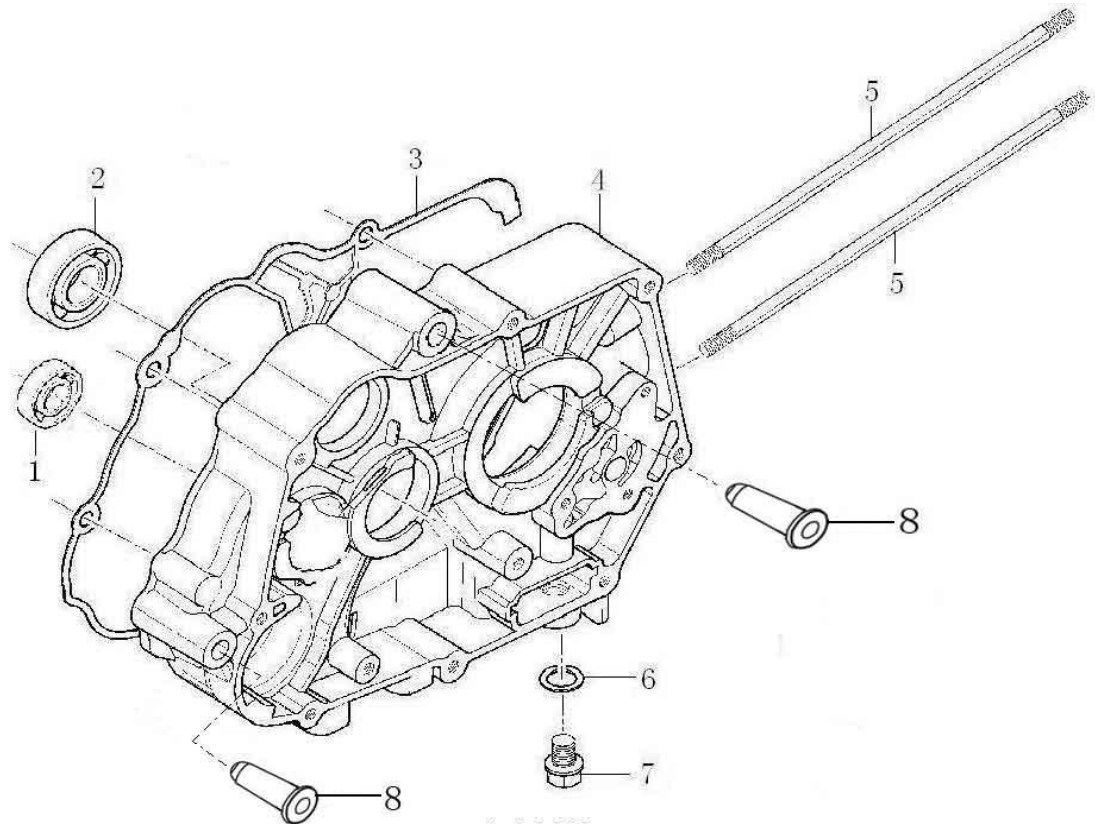
D-24: OIL PUMP



Item	Part Number	Description	Q.ty
1	1432B-D002-0000	HUB DUMP CHAIN SPROCKET, OIL PUM	1
2	14302-D002-0000	OIL PUMP SPROCKET SHAFT	1
3	14304-D002-0000	BUSH, SPROCKET	1
4	90210-D002-0000	GASKET,OIL PUMP	1
5	14107-G011-0000	SHAFT,OIL PUMP	1
6	14111-G011-0000	INNER ROTOR, OIL PUMP	1
7	14112-G011-0000	OUTER ROTOR, OIL PUMP	1
8	14110-G011-0000	OIL PUMP BODY	1
9	90221-D002-0000	GASKET,OIL PUMP COVER	1
10	14108-G011-0000	OIL PUMP COVER	1
11	B008180005001020B	SCREW M5x10	3
12	B008230006002220X	SCREW M6x22	1
13	B008230006001620X	SCREW M6x16	2
14	14100-G011-0000	OIL PUMP ASSY	1
15	1431B-D002-0000	STRAINER,OIL FILTER	1



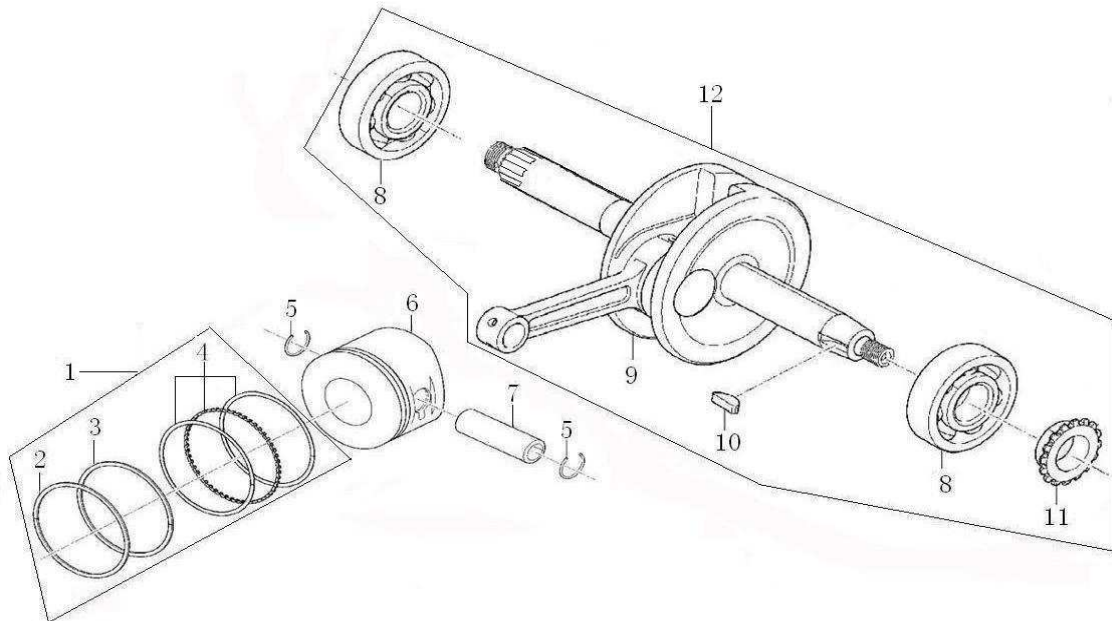
Item	Part Number	Description	Q.ty
1	91101-G011-0000	CYLINDER STUD BOLT A	2
2	92102-00000006001	BEARING (6001)	1
3	92102-00000006203	BEARING (6203)	1
4	12130-G011-0102	PIPE ASSY	1
5	B16674A006006070X	BOLT M6×60	2
6	11003-D002-00000X	CLIP, HIGH VOLTAGE WIRE	1
7	B16674A006004570X	BOLT M6×45	1
8	B16674A006006570X	BOLT M6×65	4
9	90303-D002-0000	OIL SEAL 17×29×5	1
10	90301-D002-0000	OIL-SEAL 11.6×24×10	1
11	12108-D002-00000X	CLIP, OVERFLOW PIPE	1
12	1212B-HZ19-010089	LEFT CRANKCASE BLOCK	1
13	91521-10001400000	PIN 10×14	2
14	10009-G001-0001	ABSORBER SLEEVE	1
15	10009-G001-0002	ABSORBER SLEEVE	1

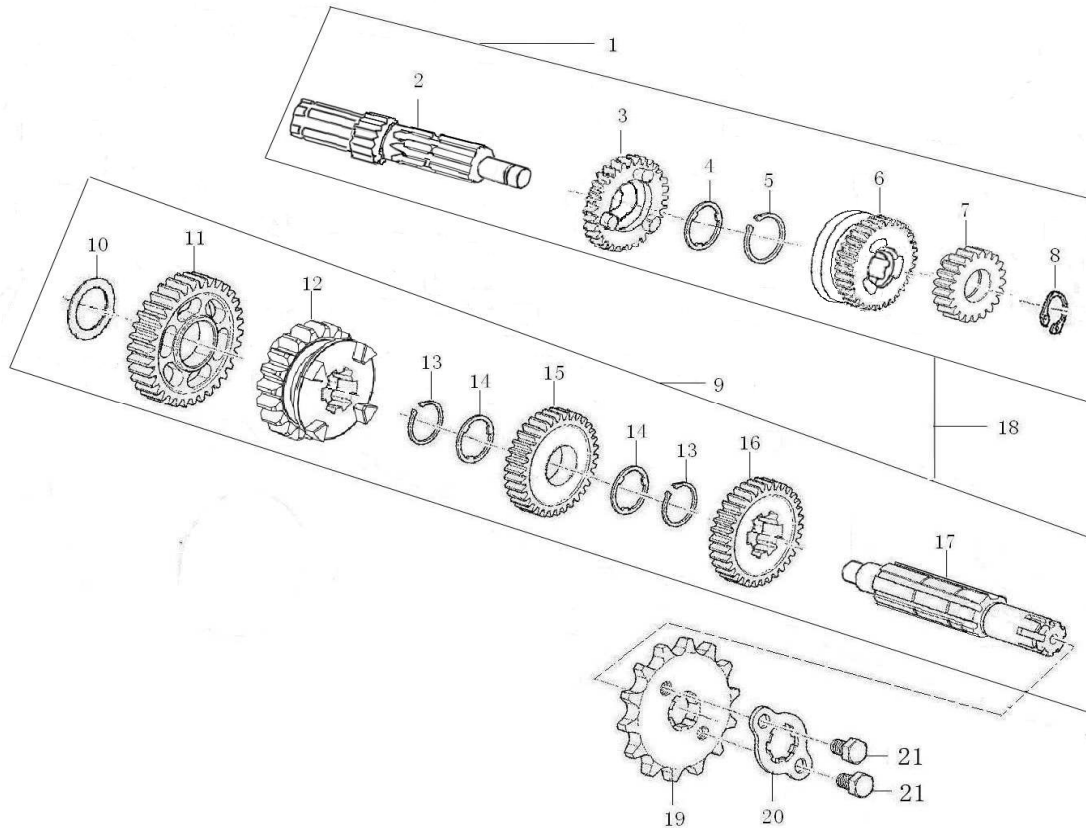


Item	Part Number	Description	Q.ty
1	92102-0000006201	BEARING (6201)	1
2	92102-0000006203	BEARING (6203)	1
3	90208-D002-0001	GASKET,CRANKCASE	1
4	1222B-H064-010089	RIGHT CRANKCASE BLOCK	1
5	91102-G011-0000	CYLINDER STUD BOLT B	2
6	93301-71242020000	WASHER 12.4×2×20	1
7	91103-I008-00000X	OIL DRAIN PLUG	1
8	10009-G001-0002	ABSORBER SLEEVE	2

D-27: CONNECTING ROD

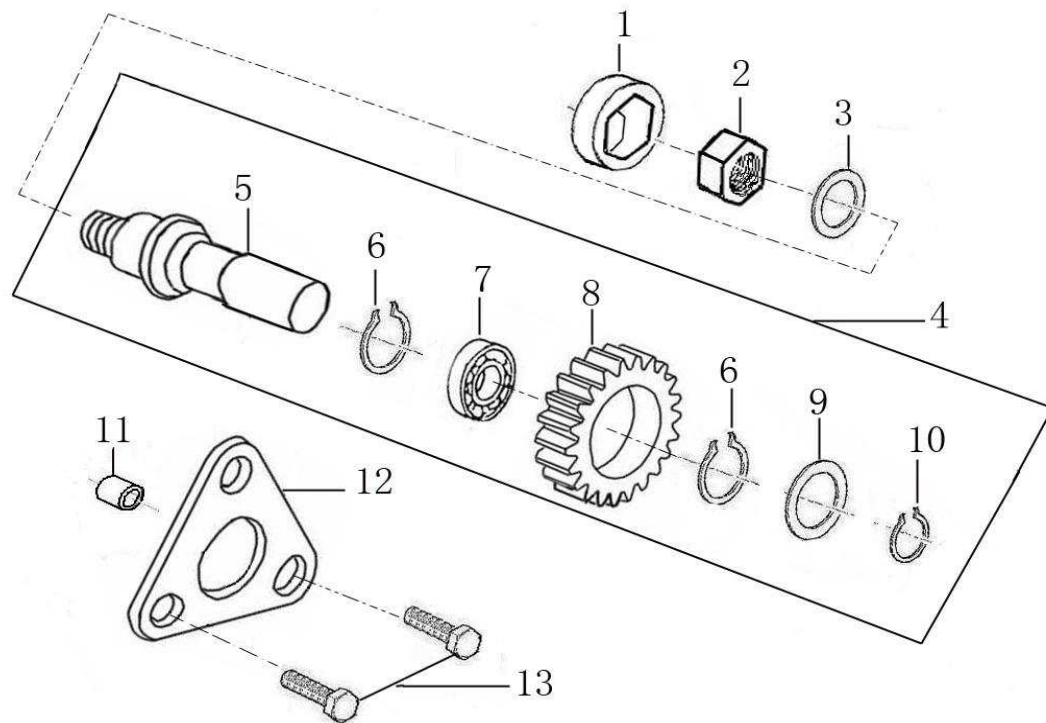
Item	Part Number	Description	Q.ty
1	1310A-I015-0300	PISTON RING COMP	1
2	13103-I015-0200	PISTON RING 1	1
3	13104-I015-0000	PISTON RING 2	1
4	13120-I015-0000	OIL RING ASSY	1
5	91401-D002-0000	CHECK RING, PISTON PIN	2
6	13101-H032-0000	PISTON	1
7	13102-H020-0000	PIN PISTON	1
8	92102-00000006304	BEARING (6304)	2
9	13220-G001-0000	CONNECTING ROD COMP 3	1
10	91601-D002-0000	SEMICIRCULAR KEY	1
11	13222-D002-0000	HUB DUMP CHAIN SPROCKET	1
12	1320B-G001-0000	CRANKSHAFT CONNECTING-ROD ASSY	1



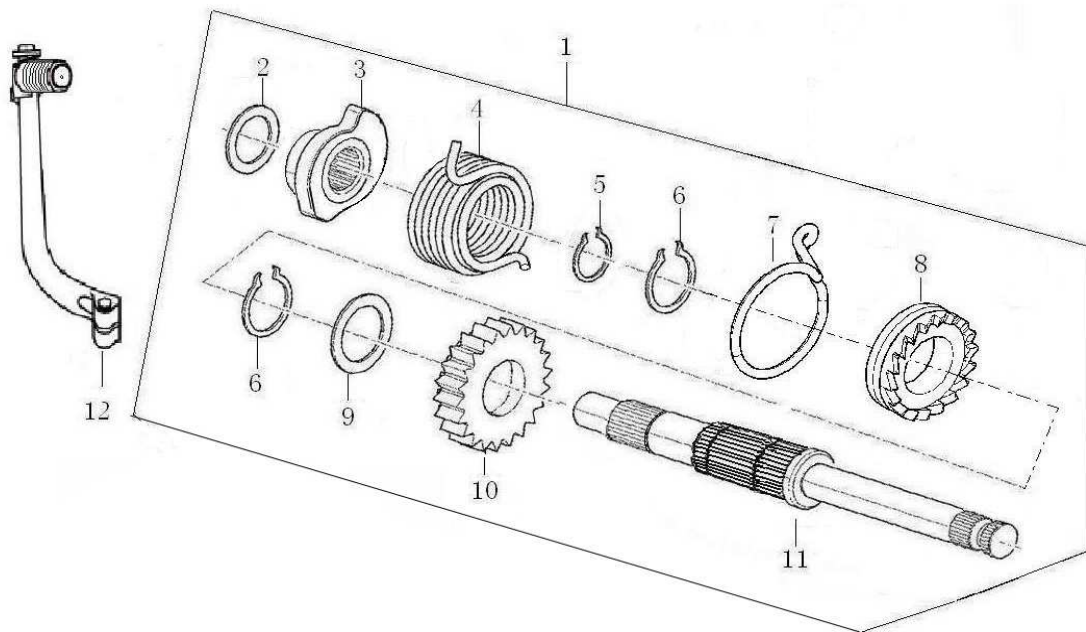


Item	Part Number	Description	Q.ty
1	23220-H064-0000	MAIN SHAFT, TRANSMISSION	1
2	23221-H064-0000	TRANSMISSION MAIN SHAFT	1
3	23222-H064-0003	GEAR M-3	1
4	23223-D002-0000	WASHER	1
5	23226-D002-0000	CIRCLIP	1
6	23222-H064-0002	GEAR M-2	1
7	23224-H064-0000	REVERSE GEAR ASS.	1
8	B0089401120000000	CIRCLIP 12	1
9	23240-H064-0000	COUTERSHAFT TRANSMISSION	1
10	93301-52020527000	WASHER 20.2×0.5×27	1
11	23242-H064-0001	GEAR C-1	1
12	23242-H064-0003	GEAR C-3	1
13	91402-D002-0100	CIRCLI $\phi 18.5 \times 1.2 \times \phi 22.1$	2
14	23223-I006-0000	WASHER	2
15	23242-H064-0002	GEAR C-2	1
16	23243-H064-0000	REVERSE GEAR	1
17	23241-H064-0000	TRANSMISSION COUNTER SHAFT	1
18	23200-H064-0000	TRANSMISSION MAIN, COUNTER SHAF	1
19	23401-G011-0000	DRIVE SPROCKET	1
20	23402-D002-0000	FIXING PLATE,DRIVE SPROCKET	1
21	B057830006001020X	BOLT M6×10	2

D-29: IDLER SETUP

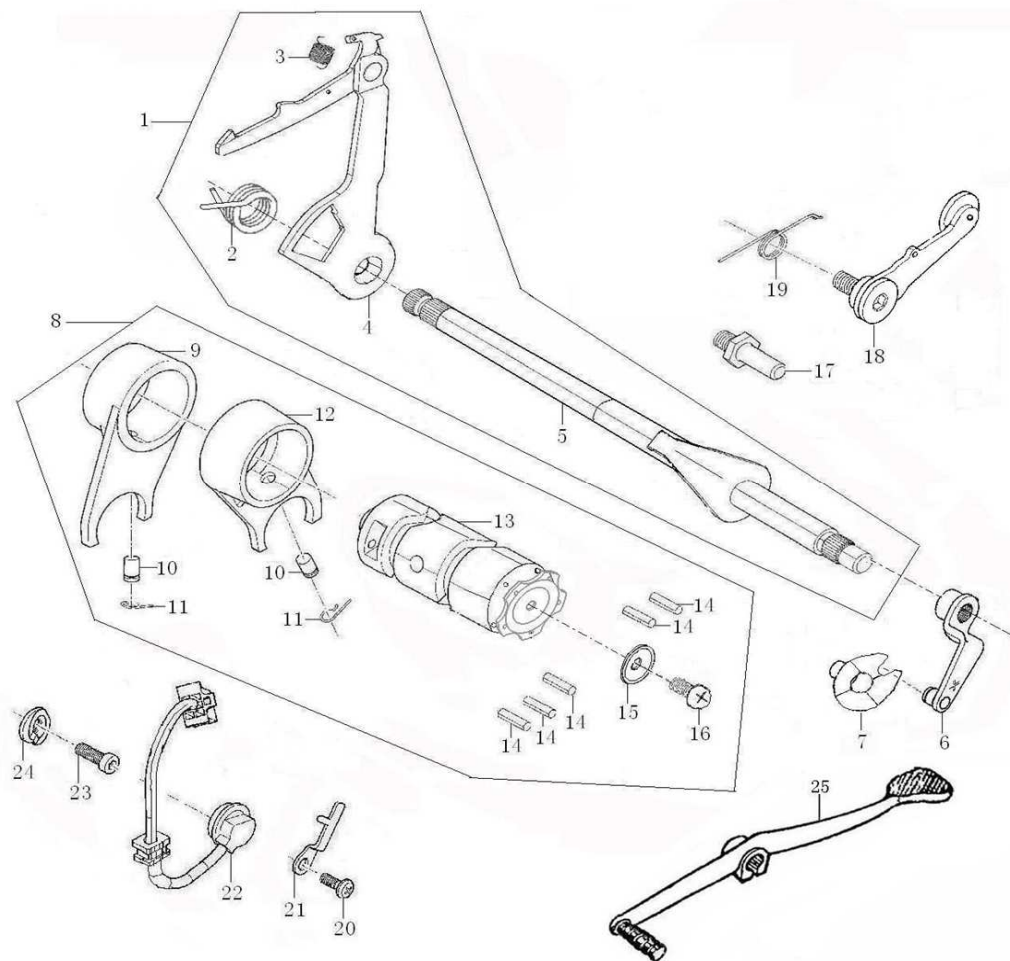


Item	Part Number	Description	Q.ty
1	23605-H064-0000	SEAL RUBBER COVER	1
2	B061700008000060X	NUT 8	1
3	93301-D0850820000	WASHER 8.5×0.8×20	1
4	23601-H064-0000	IDLER SETUP	1
5	23602-H064-0000	PIVOT, REVERSE GEAR IDLER WHEEL	1
6	B0089301260000000	CIRCLIP 26	2
7	92102-00000006000	BEARING (6000)	1
8	23604-H064-0000	REVERS IDLER	1
9	93301-D1001016000	WASHER 10×1×16	1
10	B0089401100000000	CIRCLIP 10	1
11	91521-08000800000	PIN 8×8	1
12	23603-H064-0000	FIXING PLATE	1
13	B057830006002020X	BOLT M6×20	2

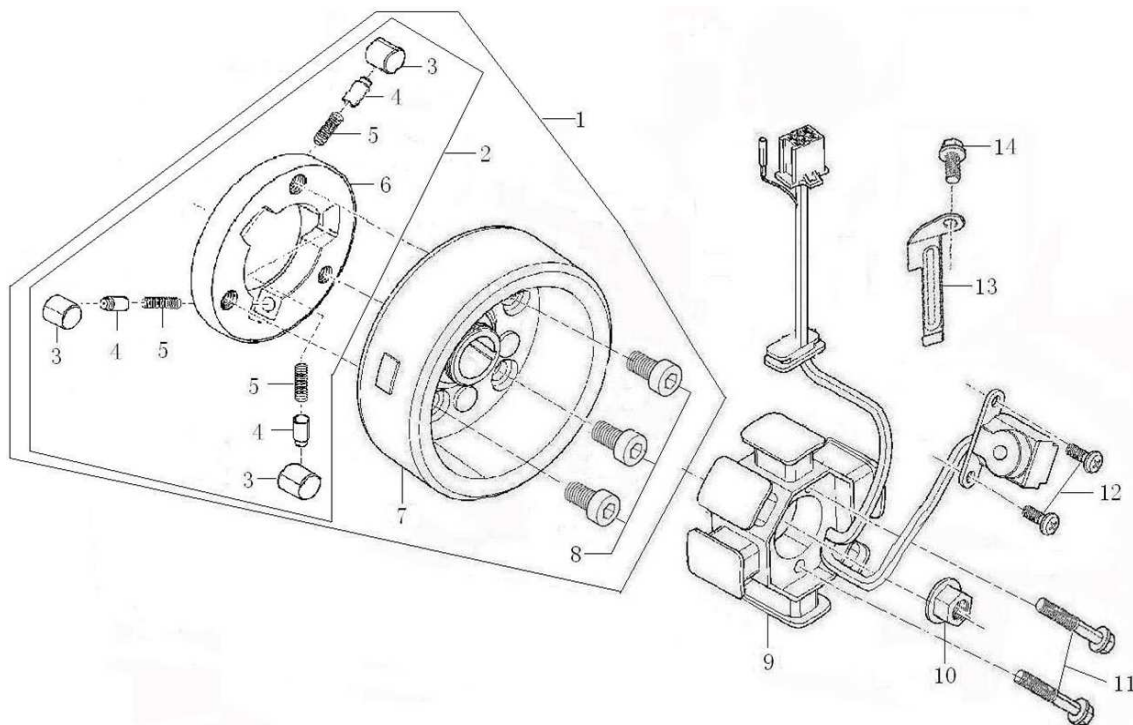


Item	Part Number	Description	Q.ty
1	21100-H064-0000	KICK STARTING SHAFT ASSEMBLY	1
2	93301-51370526000	WASHER 13.7×0.5×26	1
3	21104-D002-0000	SEAT, SPRING, KICK STARTING SHAFT	1
4	21106-H064-0000	RETURN SPRING, KICK STARTING SHAFT	1
5	91402-D002-0000	CIRCLI $\phi 15.5 \times 1.2 \times \phi 19$	1
6	91402-D002-0100	CIRCLI $\phi 18.5 \times 1.2 \times \phi 22.1$	2
7	21119-G011-0000	SPRING, KICK STARTING RATCHET WHEEL	1
8	21118-H064-0000	STARTING RATCHET	1
9	93301-62021027000	WASHER 20.2×1.0×27	1
10	21117-H064-0000	GEAR, KICK STARTER	1
11	21107-H064-0000	PIVOT, KICK STARTING SHAFT	1
12	21200-F004-0002	START-UP BAR COMP	1

D-31: GEAR SHIFT MECHANISM

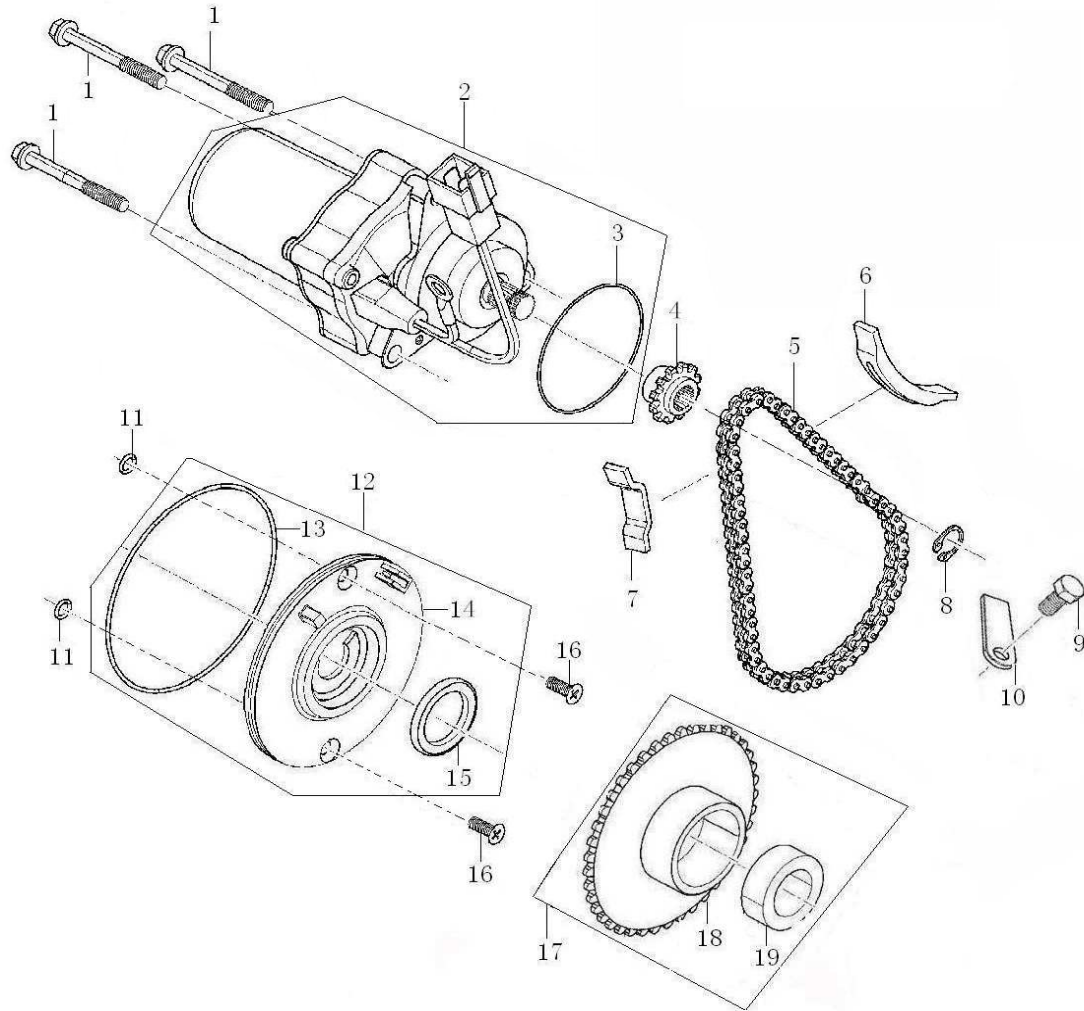


Item	Part Number	Description	Q.ty
1	24300-G031-00000C	GEARSHIFT LEVER COMP	1
2	24302-G031-0000	RETURN SPRING	1
3	24318-D002-0000	GEARSHIFT LEVER TENSION SPRING	1
4	2432A-G031-0000	LIMIT SCREW	1
5	24301-G031-0000	GEARSHIFT SHAFT COMP	1
6	2242A-G031-0000	CONTROLLING ARM ASSEMBLY, CLUTCH	1
7	2245A-G031-0000	CAM PLATE ASSEMBLY, CLUTCH	1
8	24200-H064-0100	GEARSHIFT DRUM COMP	1
9	24104-H064-0000	RIGHT FORK, COUNTERSHAFT	1
10	24102-D002-0000	GUIDE PIN	2
11	24103-D002-0000	CLIP, SPRING	2
12	24106-H064-0000	CENTER FORK, MAINSHAFT	1
13	24213-H064-0000	GEARSHIFT DRUM	1
14	91522-04001300000	PIN 4x13	5
15	24212-D002-0000	SHIFT DRUM LOCATING PLATE GROUP	1
16	B008190106002020B	SCREW M6x20	1
17	91117-D002-0000	BOLT, RETURN SPRING FIXING 8x11	1
18	2434A-H032-0000	LOCATING PLATE ASSY	1
19	24304-G011-0000	SPRING ,LOCATING PLATE	1
20	B008230006001220X	SCREW M6x12	1
21	88002-G011-0001	GEARSHIFT SWITCH PRESSING PLATE	1
22	8803B-HZ19-010034	GEARSHIFT SWITCH LAMP	1
23	91149-G011-01000C	SCREW	1
24	88004-G011-0000	CONTACT, GEAR INDICATION	1
25	24400-G007-0002	GEARSHIFT SHAFT	1



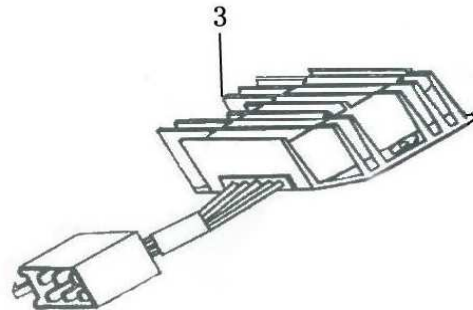
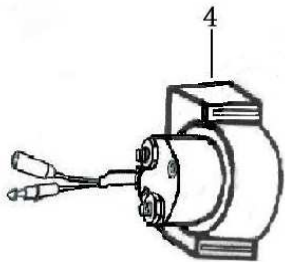
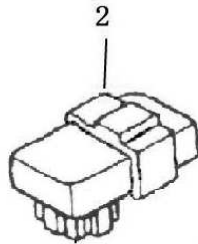
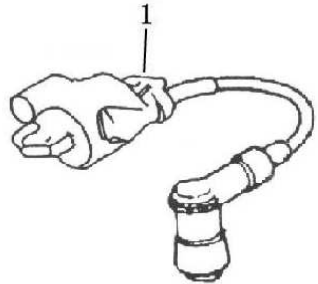
Item	Part Number	Description	Q.ty
1	82130-G011-0211	ROTOR ASSY,MAGNETO	1
2	21300-G011-0002	ASSEMBLY, OVERRUNNING CLUTCH	1
3	21304-G011-0000	CLUTCH ROLLER	3
4	21305-G011-0000	CONE BILOCKAGE	3
5	21303-G011-0000	SPRING	3
6	21301-G011-0100	STARTING CLUTCH BODY	1
7	82130-G011-0201	ROTOR ASSY,MAGNETO	1
8	B000700108001570C	SCREW M8×15	3
9	82120-G011-030534	STATOR ASSY,MAGNETO	1
10	91213-D002-00010X	NUT	1
11	B16674A006001870X	BOLT M6×18	2
12	B057830005001220X	BOLT M5×12	2
13	12305-G011-0000	FIXING PLATE, MAGNETO CABLE	1
14	B16674A006001670X	BOLT M6×16	1

D-33: ELECTRIC STARTER

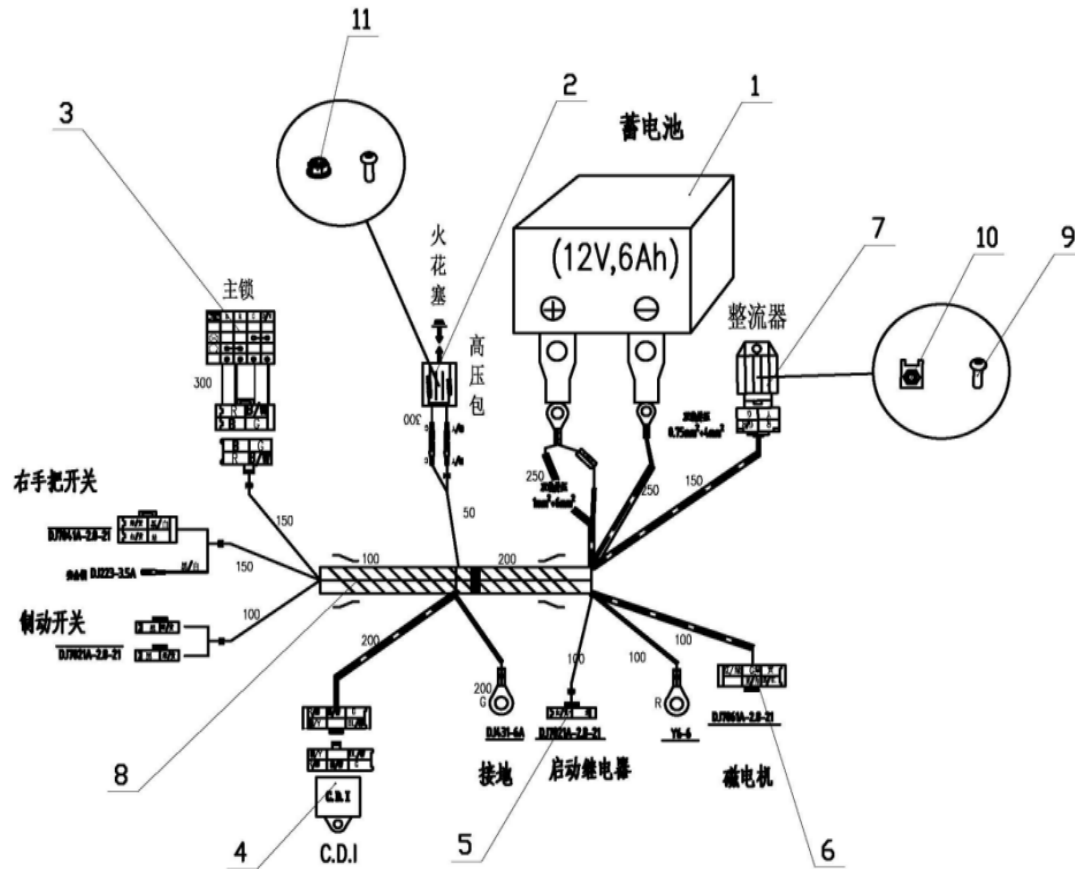


Item	Part Number	Description	Q.ty
1	B16674A006005070X	BOLT M6×50	3
2	82200-IA29-001722	STARTING MOTOR ASSY	1
3	90101-10525000200	O-RING 52.5×2	1
4	82201-G011-0000	SPROCKET	1
5	2141B-IA29-0000	STARTING MOTOR DRIVE CHAIN	1
6	2144B-G011-0000	ASSEMBLY, GUIDE PLATE	1
7	2143B-G011-0000	ASSEMBLY, CHAIN PROTECT PLATE	1
8	B0089401110000000	CIRCLIP 11	1
9	B057830006001220X	BOLT M6×12	1
10	21407-G011-0000	PLATE, START CLUTCH	1
11	90101-50065000180	O-RING 6.5×1.8	2
12	2140B-G011-0000	DISK INSULATOR	1
13	90101-51068000200	O-RING 106.8×2	1
14	21406-G011-0000	DISK INSULATOR	1
15	90308-G011-0000	OIL SEAL 30×42×4.5	1
16	B008190106001620X	SCREW M6×16	2
17	21420-G011-0700	PLATE GEAR ASSY	1
18	2142A-G011-0700	PLATE GEAR ASSY	1
19	90309-G011-0001	OIL SEAL 19×30×5	1

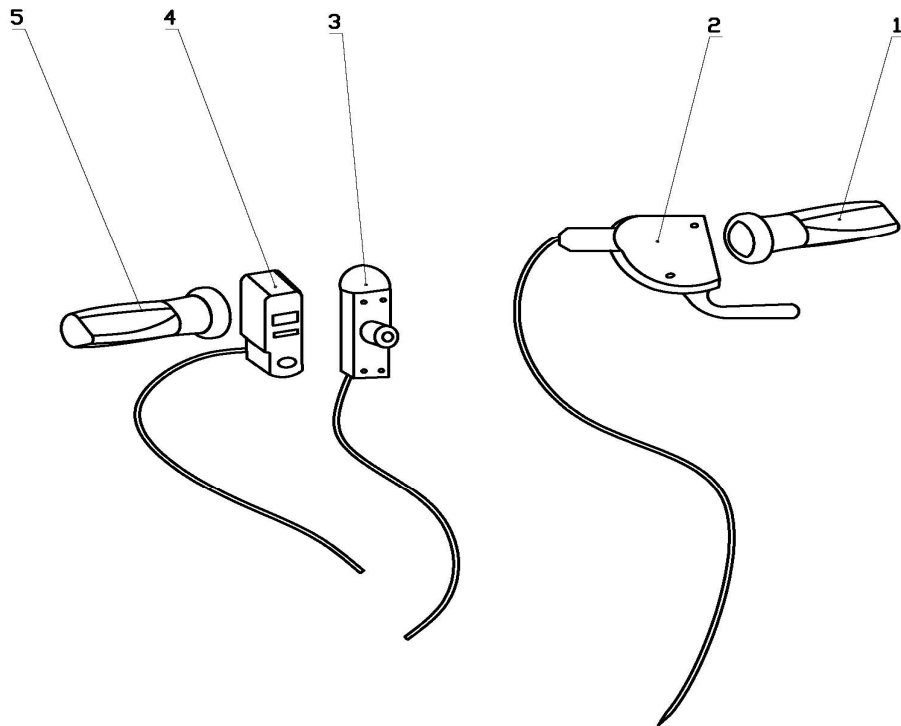
Item	Part Number	Description	Q.ty
1	34300-MW40-00	IGNITION COIL	1
2	81200-G011-0000	C.D.I	1
3	83100-G011-0000	RECTIFIER	1
4	34200-MW40-00	STARTER REALY	1



Item	Part Number	Description	Q.ty
1	34500-MW40-00	BATTERY	1
2	34300-MW40-00	IGNITION COIL	1
3	34701-MW40-00	MAIN SWITCH	1
4			
5	34200-MW40-00	STARTER REALY	1
6			
7	34000-MW40-00	MAIN WIRE HARNESS	1
8	34601-MW40-00	BOLT M6x16	1



Item	Part Number	Description	Q.ty
1	45001-MW40-00	THROTTLE GRIP	1
2	27200-MW40-00	THROTTLE CONTROL	1
3	34708-MW40-00	CUT-OFF SWITCH	1
4	38700-MW40-00	STARTING BUTTON	1



Item	Part Number	Description	Q.ty
1	75107-MW20-00	Tool bag	1
2	75102-MW20-00	Fork spanner 11#-13#	1
3	75101-MW20-00	Fork spanner 14#-12#	1
4	75103-MW20-00	Allen wrench 6#	1
5	75104-MW20-00	Allen wrench 5#	1
6	75105-MW20-00	Allen wrench 4#	1

