

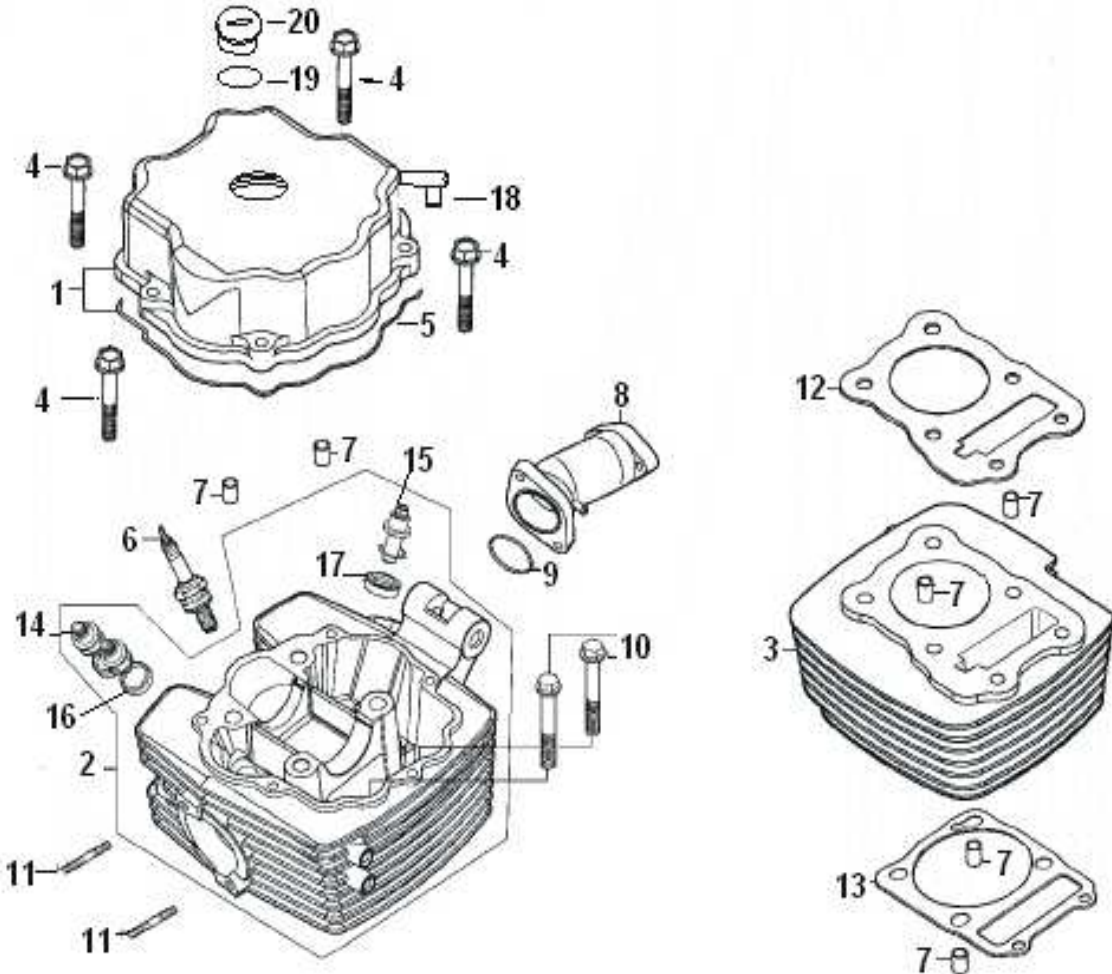
OVERLAND 200



VIN Nंबर:	Date:
LLCLSL20XGF000612	15/06/2018

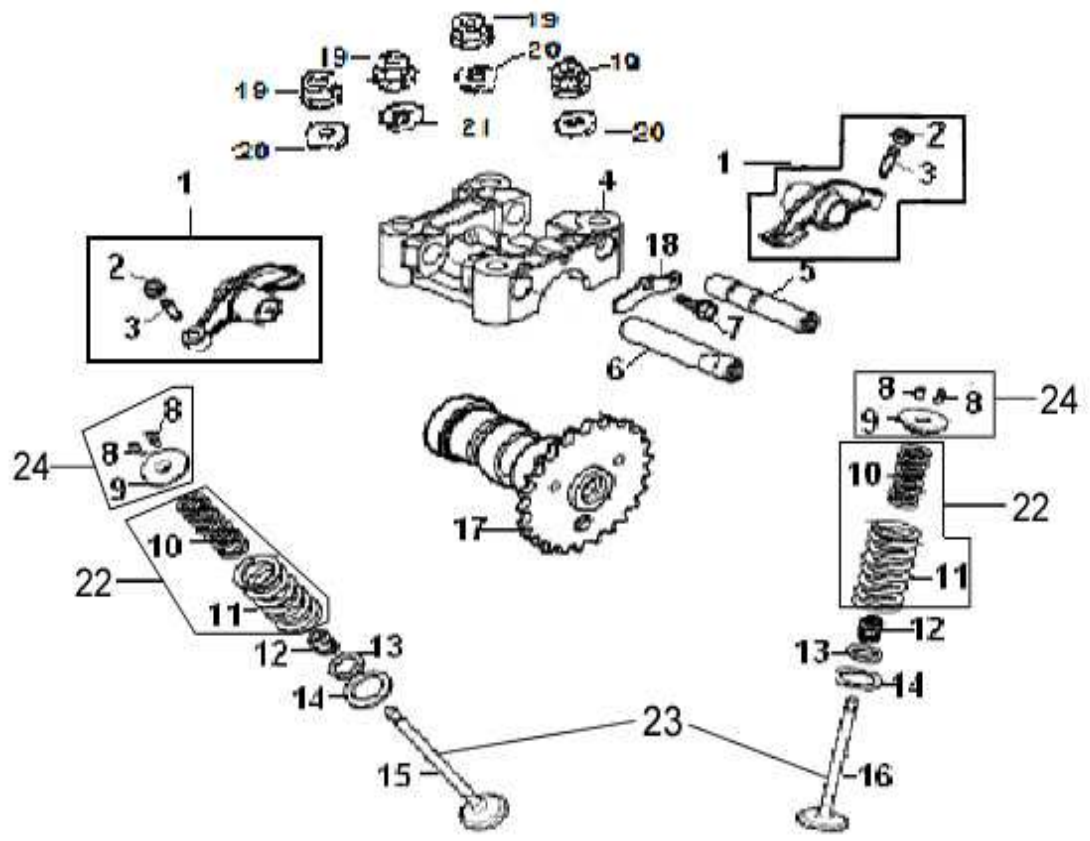


D-1: CYLINDER & CYLINDER HEAD

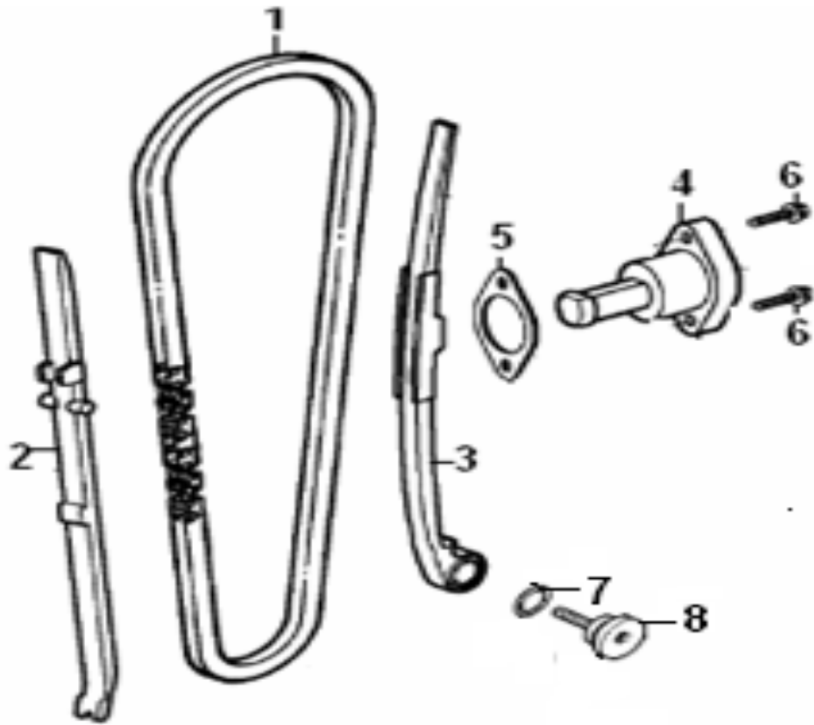


Item	Part Number	Description	Q.ty
1	120230033-0002	CYLINDER HEAD COVER	1
2	120080223-0002	CYLINDER HEAD	1
3	120020142-0005	CYLINDER BODY COMP	1
4	380140024-0006	BOLT	4
5	380840322-0001	WASHER, CYLINDER COVER	1
6	270960001-0001	PLUG, SPARK	1
7	380600006-0001	PINDOWEL	6
8	180420012-0001	TUBE, AIR INTAKE	1
9	380840011-0001	SEAL	1
10	380140229-0001	BOLT	2
11	380180060-0002	BOLT, STUD	2
12	120050036-0001	GASKET ASSY, CYLINDERHEAD	1
13	120150045-0001	GASKET, CYLINDER	1
14	120130003-0001	GUIDE, EXHAUSTVALVE	1
15	120120003-0001	GUIDE, INLETVALVE	1
16	120110012-0001	RETIANER, EXHAUSTVALVE	1
17	120100012-0001	RETIANER, INLETVALVE	1
18	110270007-0001	PIPE, AERATE	1
19	380840026-0001	WASHER, SEALING	1
20	110440001-0008	CAP, GENERATOR	1

D-2: CAMSHAFT & VALVES

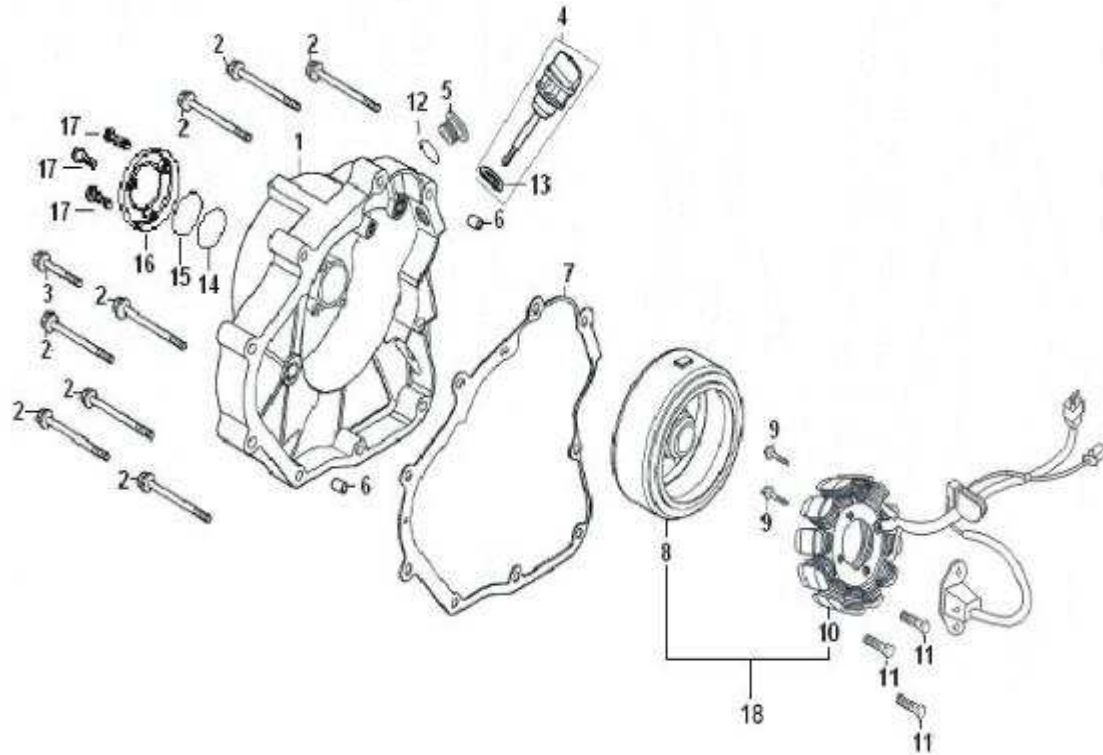


Item	Part Number	Description	Q.ty
1	140450011-0001	ROCKER ARM, UPPER	2
2	140490001-0001	NUT, TAPPET ADJUSTING	2
3	140480001-0001	SCREW, TAPPET ADJUSTING	2
4	140540006-0001	HOLDER, CAMSHAFT	1
5	140510016-0001	SHAFT, VALVE ROCKER ARM, IN.	1
6	140510017-0001	SHAFT, VALVE ROCKER ARM, EX.	1
7	380140002-0006	BOLT	1
8	140390004-0001	COTTER, VALVE	4
9	140380004-0001	RETAINER, VALVE SPRING, UPPER	2
10	140340004-0001	SPRING, VALVE INNER	2
11	140350003-0001	SPRING, VALVE OUTER	2
12	140400001-0001	SEAL, VALVE STEM	2
13	140360001-0001	RETIANER, VALVE SPRING, INNER	2
14	140370001-0001	RETAINED, VALVE SPRING, OUTER	2
15	140310002-0001	VALVE, EX	1
16	140300002-0001	VALVE, IN	1
17	140020026-0001	CAMSHAFT COMP	1
18	140530005-0001	POSITION PLATE COMP.	1
19	380370074-0001	BOLT	4
20	380450357-0001	WASHER, DRAIN PLUG	3
21	380450307-0001	WASHER, DRAIN PLUG	1
22	140330003-0001	SPRING, VALVE	1
23	500550002-0001	VALVE SET, INLET AND EXHAUST	1
24	500730003-0001	CLIP & VALVE SPRING SEAT KIT	1

D-3: CAM CHAIN

Item	Part Number	Description	Q.ty
1	140610031-0001	CHAIN, TIMING	1
2	141000025-0001	GUIDE STARTER CHAIN	1
3	140910004-0001	ADJUSTING PLATE CHAIN	1
4	140750010-0005	TENSIONER ASSY	1
5	140830008-0001	GASKET TENSIONER	1
6	380140021-0006	BOLT	2
7	380840318-0001	WASHER, SEALING	1
8	141070004-0001	SCREW TENSION BAR	1

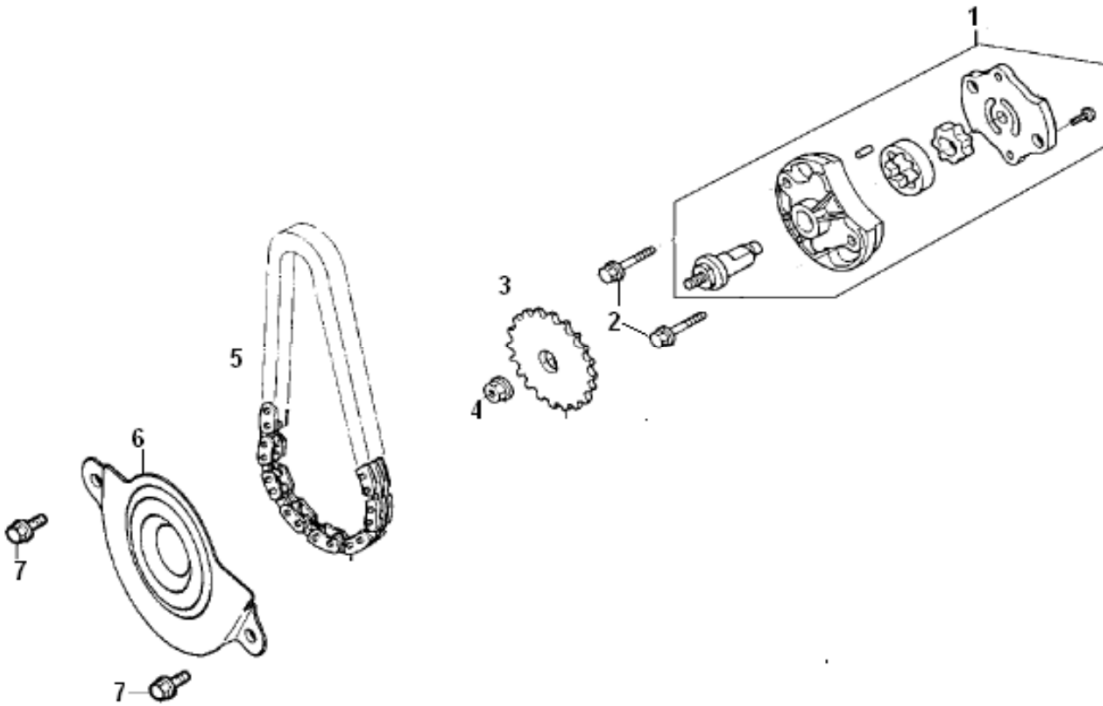
D-4: RH CRANKCASE COVER & GENERATOR



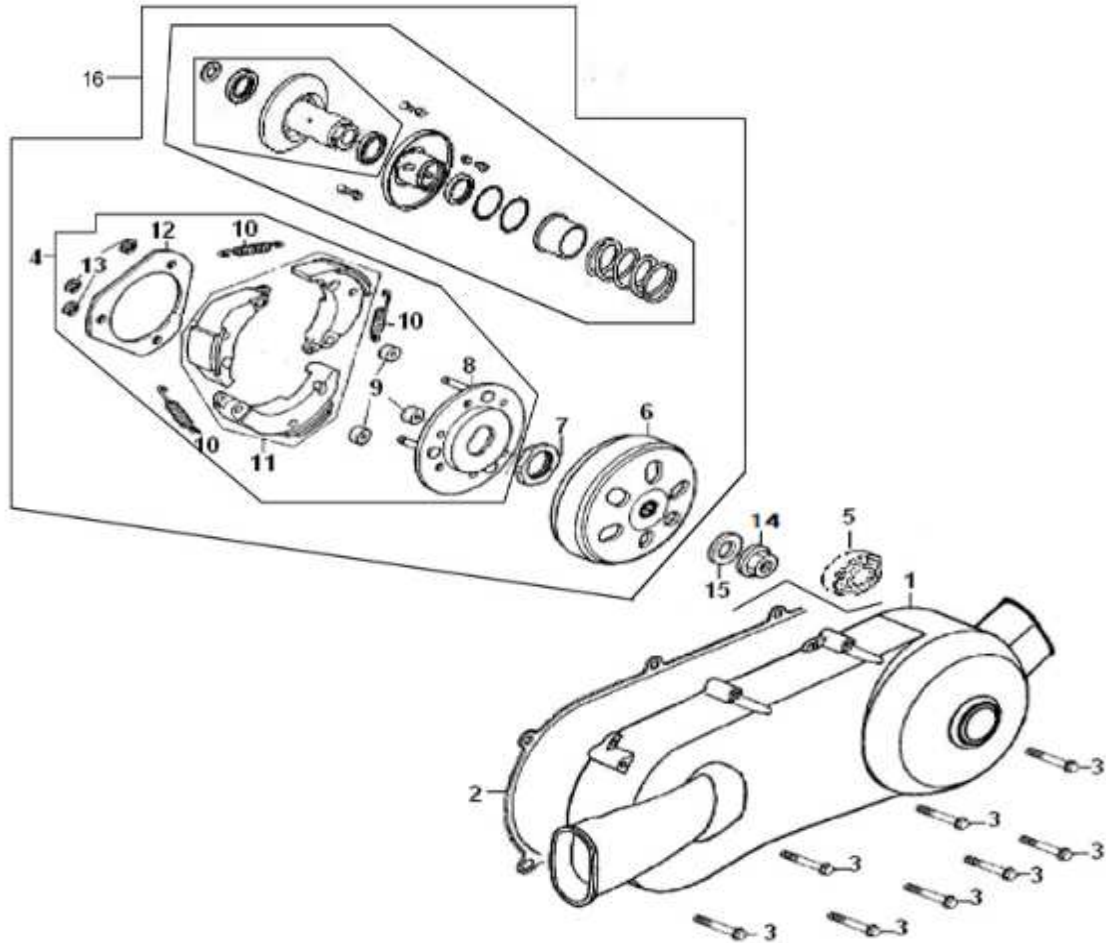
Item	Part Number	Description	Q.ty
1	110600701-0001	COVER, RCRANKCASE	1
2	380140230-0001	BOLT	7
3	380140128-0002	BOLT	1
4	110700020-0001	GAUGE, OIL LEVEL	1
5	110440001-0008	CAP, GENERATOR	1
6	380600006-0001	PIN, DOWEL	2
7	110620026-0001	GASKET, RCRANKCASE COVER	1
8	270020054-0001	FLYWHEEL COMP	1
9	380140021-0006	BOLT	2
10	270100205-0001	STATOR COMP	1
11	380200010-0005	BOLT	3
12	380840026-0001	RING	2
13	380840006-0001	RING	1
14	380840319-0001	RING	1
15	380840320-0001	RING	1
16	110720054-0010	COVER, R. DECORATIVE	1
17	380140026-0006	BOLT	3
18	270010292-0001	GENERATOR ASSY.	1

D-5: OIL PUMP

Item	Part Number	Description	Q.ty
1	150010040-0001	OIL PUMP COMP	1
2	380140017-0005	BOLT	2
3	150070015-0001	SPROCKET, OIL PUMP DRIVEN	1
4	380370003-0001	NUT, HEX.	1
5	150170001-0001	CHAIN, OIL PUMP	1
6	150260002-0001	COVER, OIL FILTER	1
7	380140026-0006	BOLT	2

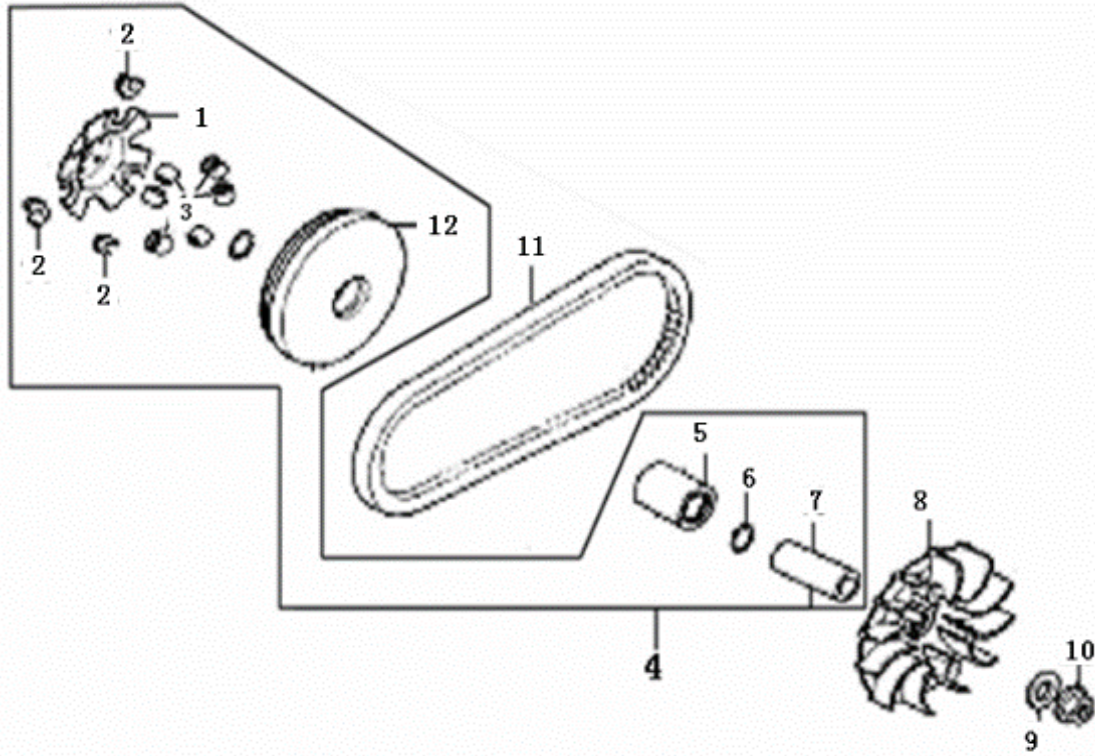


D-6: CVT COVER & DRIVEN CLUTCH



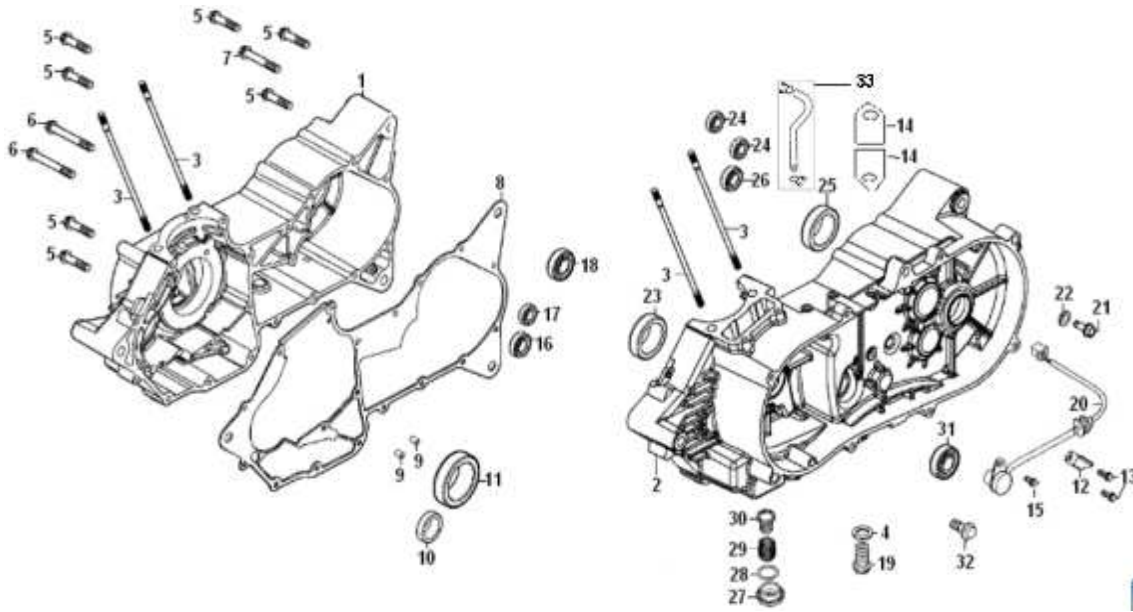
Item	Part Number	Description	Q.ty
1	110380063-0002	COVER L.CRANKCASE	1
2	110390005-0001	GASKET COVER L.CRANKCASE	1
3	380140019-0006	BOLT	9
4	194310008-0001	WEIGHT, CLUTCH	1
5	380630169-0001	BEARING	1
6	194190008-0001	OUTER COVER, CLUTCH	1
7	380340090-0001	Nut	1
8	NOT AVAILABLE		1
9	190260003-0001	RUBBER, DAMPING, CLUTCH	3
10	381140256-0001	SPRING, CLUTCH	3
11	194320008-0001	WEIGHT, CLUTCH	3
12	194330001-0001	PLATE, CLUTCH LIFTER	1
13	380570014-0001	CLRCLIP	3
14	380370005-0001	NUT, FLANGE	1
15	380450364-0001	WASHER	1
16	192890011-0001	DRIVE CLUTCH AND OUTER COVERAND	1

D-7: DRIVE CLUTCH



Item	Part Number	Description	Q.ty
1	192860001-0001	SLIDE	1
2	192870001-0001	PIECE, SLIDE	3
3	192840001-0001	ROLLER, WETGHT	6
4	192810002-0001	BELT PULLEY ASSY., DRIVING	1
5	380821138-0001	BUSH	1
6	380560036-0001	CLIP	2
7	192880001	BUSH, DRIVE DISK SHAFT	1
8	192820001-0001	DISK, DRIVING	1
9	380450364-0001	WASHER	1
10	380370005-0001	NUT, FLANGE	1
11	193000014-0001	BELT, DRIVE	1
12	194180001-0001	DRIVE DISK SHAFT	1

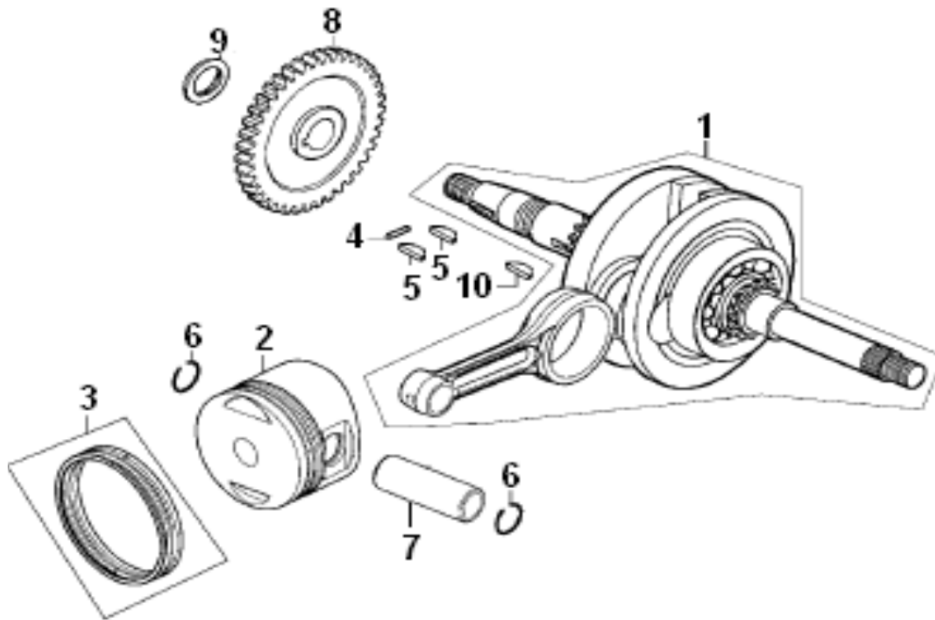
D-8: CRANKCASE



Item	Part Number	Description	Q.ty
1	110080082-0001	CRANKCASE COMP, R	1
2	110030140-0001	CRANKCASE COMP, L	1
3	110240046-0001	BOLT, STUD A	4
4	380450018-0003	WASHER, DRAIN PLUG	1
5	380140030-0001	BOLT	7
6	380140021-0006	BOLT	2
7	380140128-0002	BOLT	1
8	110100030-0001	GASKET, CRANKCASE	1
9	380600006-0001	PIN, DOWEL	2
10	380650007-0001	OIL SEAL	1
11	380650268-0001	OIL SEAL	1
12	270740004-0001	CLAMP PLATE, CABLE	1
13	380140026-0006	BOLT	2
14	191380007-0001	BEARING BAFFLE, MAINSHAFT	2
15	380140011-0001	BOLT	1
16	380630005-0001	BEARING	1
17	380630017-0001	BEARING	1
18	380630145-0001	BEARING	1
19	380140112-0002	BOLT	1
20	270650056-0001	INDICATOR, GEAR	1
21	380140069-0001	BOLT	1
22	380450354-0001	WASHER, DRAIN PLUG	1
23	380650266-0001	OIL SEAL	1
24	380630002-0001	BEARING	2
25	380650267-0001	OIL SEAL	1
26	380630099-0001	BEARING	1
27	120280003-0002	CAP, OIL FILTER SCREEN	1
28	380840132-0001	SEAL	1
29	381150252-0001	SPRING, OIL FILTER SCREEN	1
30	150290001-0001	SCREEN, OIL FILTER	1
31	380630005-0001	BEARING	1
32	380140208-0002	BOLT	1
33	380750497-0001	TUBE, FUEL OIL	1
34	380750497-0002	TUBE, FUEL OIL	1
35	500270146-0002	CRANKCASE KIT	1

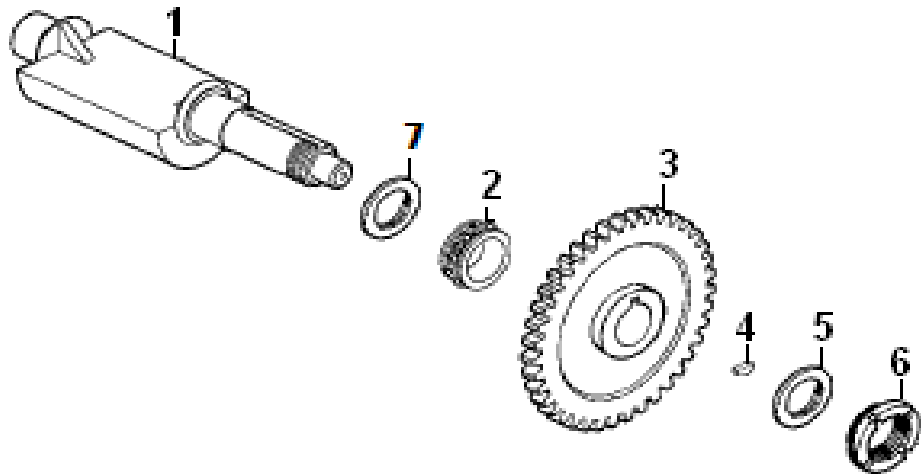
D-9: CRANKSHAFT & PISTON

Item	Part Number	Description	Q.ty
1	130140097-0001	CRANKSHAFT COMP	1
2	130030125-0002	PISTON	1
3	OLD: 130070004-0001 NEW: 130070007-0001	RING SET, PISTON	1
4	380600081-0001	PIN, DOWEL	1
5	380620002-0001	KEY, WOODRUFF	2
6	380560001-0001	CLIP, PISTON PIN	2
7	130060002-0001	PIN, PISTON	1
8	130460005-0001	DRIVEN GEAR, BALANCER SHAFT	1
9	380450368-0001	WASHER, DRAIN PLUG	1
10	380620020-0001	KEY	1

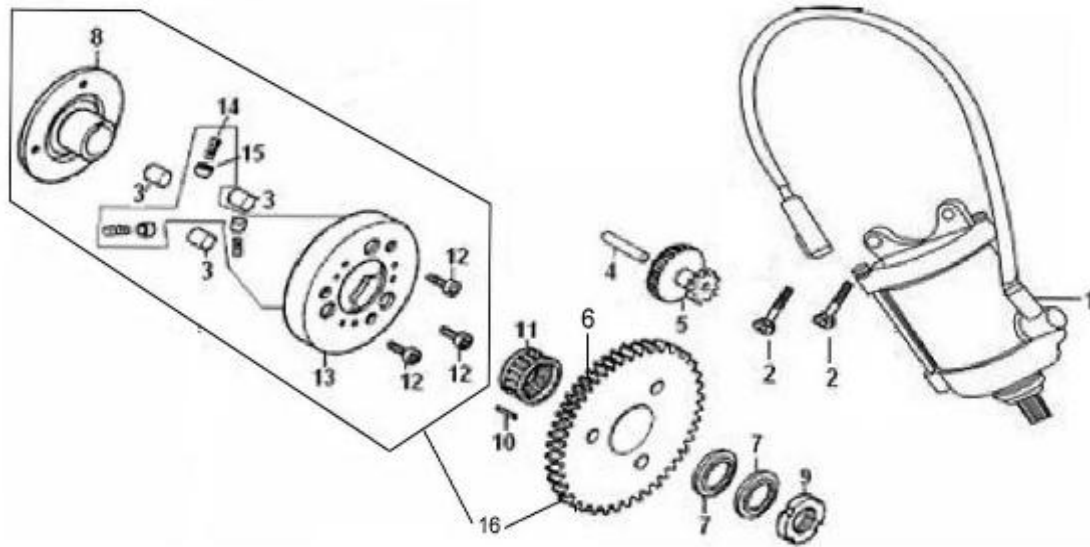


D-10: BALANCE SHAFT

Item	Part Number	Description	Q.ty
1	130450013-0001	BALANCER SHAFT	1
2	150150012-0001	SPROCKET DRIVE, OIL PUMP	1
3	130480005-0001	GEAR, BALANCER SHAFT	1
4	380620019-0001	KEY, WOODRUFF	1
5	130490002-0001	WASHER GEAR, BALANCER SHAFT	1
6	380370025-0004	NUT, LOCK	1
7	380450362-0001	WASHER	1



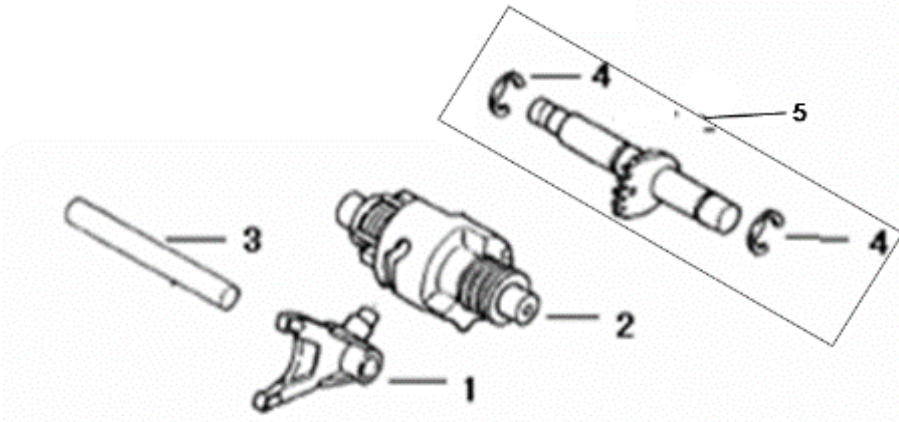
D-11: STARTING SYSTEM



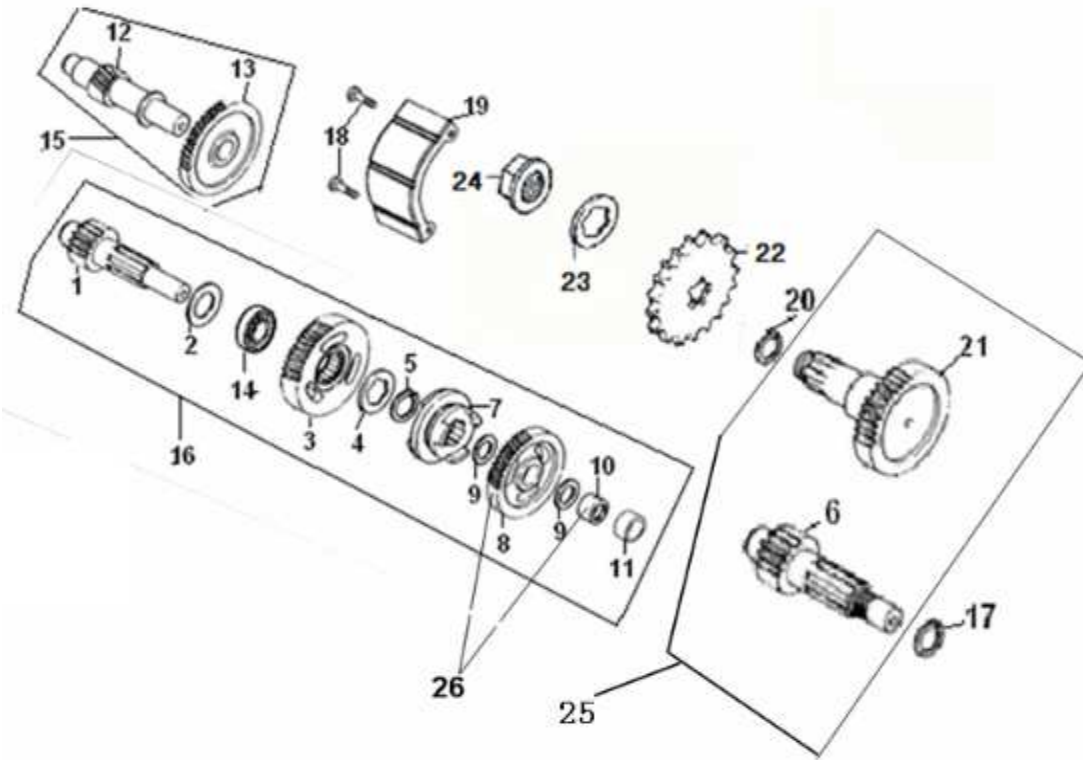
Item	Part Number	Description	Q.ty
1	270350052-0003	MOTOR, STARTER	1
2	380140002-0006	BOLT	2
3	193140007-0001	ROLLER	3
4	193230013-0001	SHAFT, STARTING IDLE GEAR	1
5	193190018-0001	GEAR, STARTING IDLE	1
6	193240018-0001	SPROCKET	1
7	381470001-0001	WASHER	2
8	193100010-0001	BUSH, STARTING CLUTCH	1
9	380810032-0001	NUT, LOCK	1
10	380600006-0001	PIN, DOWEL	1
11	380630172-0001	BEARING, NEEDLE	1
12	380190052-0001	BOLT, HEX.	3
13	193110008-0001	OUTER COMP., STARTING CLUTCH	1
14	381150250-0001	SPRING, STARTING CLUTCH ROLLER	3
15	193160007-0001	CAP, STARTING CLUTCH ROLLER SPRING	3
16	193090017-0001	STARTING CLUTCH ASSY	1

D-12: GEAR SHIFT DRUM

Item	Part Number	Description	Q.ty
1	192120034-0001	FORK, GEARSHIFT	1
2	192070007-0001	DRUM, GEARSHIFT	1
3	192130012-0001	SHAFT, GEARSHIFT, FORK	1
4	380540027-0001	CLRCLIP	2
5	192330009-0001	GEAR SHAFT	1

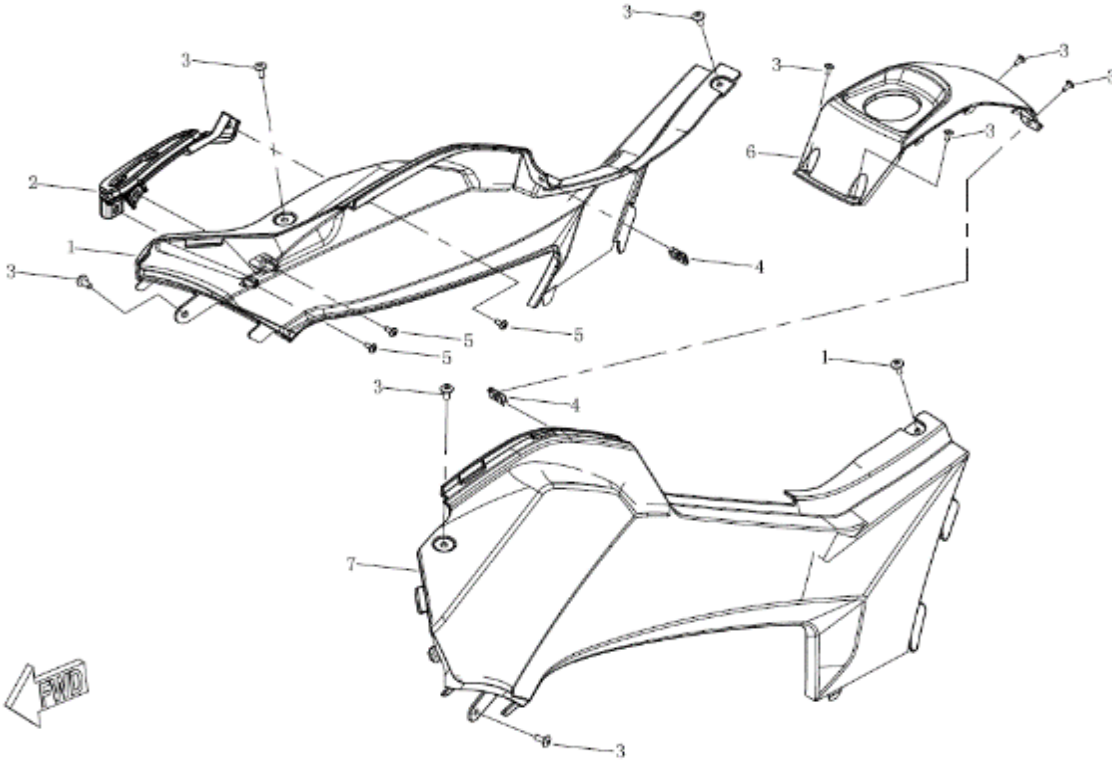


D-13: GEAR SHIFT



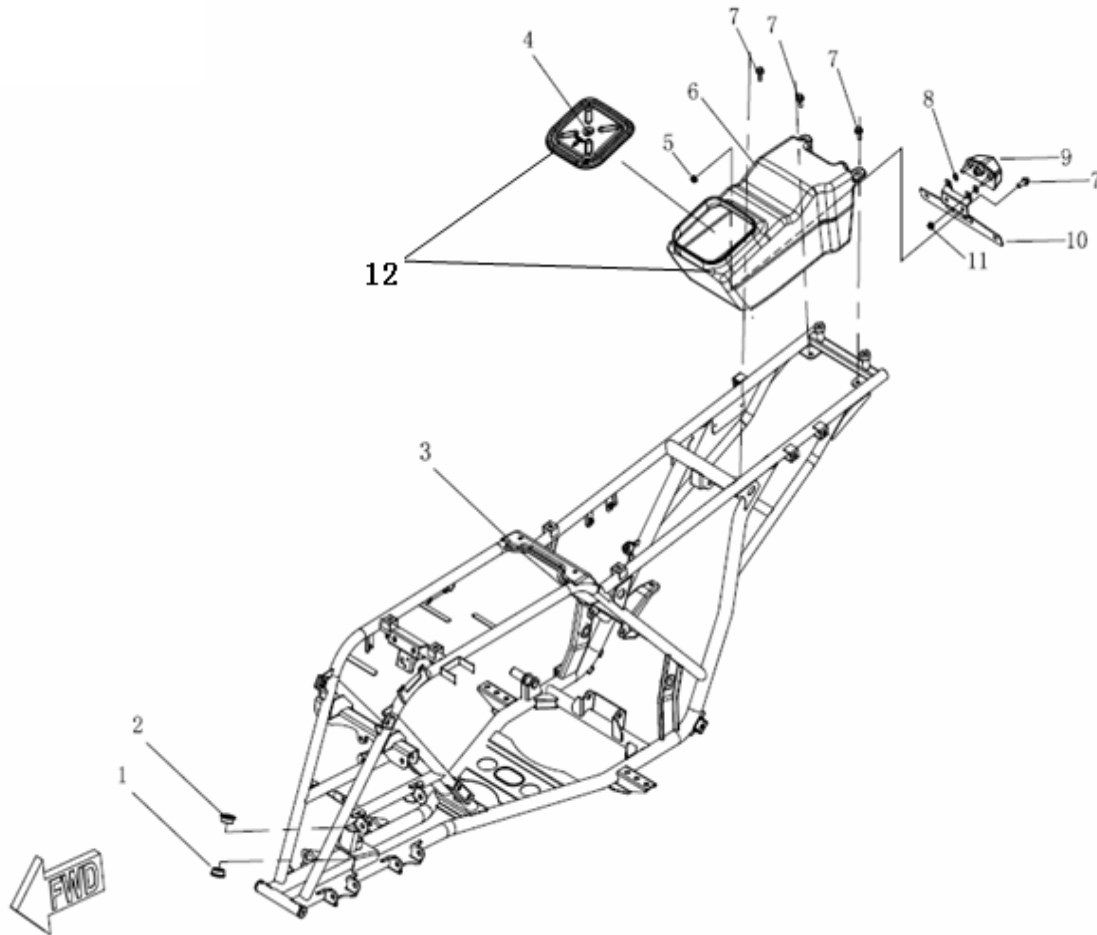
Item	Part Number	Description	Q.ty
1	191880001-0001	COUNTERSHAFT, REVERSE GEAR	1
2	380450369-0001	WASHER	1
3	191760002-0001	DRIVENWHEEL, REVERSE GEAR	1
4	380500022-0001	SPRING WASHER	1
5	380550006-0001	SNAP RING	1
6	191260023-0001	MAINSHAFT,	1
7	194340001-0001	RATCHET WHEEL	1
8	191730001-0001	DRIVEN WHEEL, FORWARD GEAR	1
9	380450361-0001	WASHER, DRAIN PLUG	2
10	380821149-0001	SLEEVE	1
11	380821107-0001	SLEEVE	1
12	191750003-0001	TRANSMISSION SHAFT, REVERSE GEAR	1
13	191770004-0001	DRIVEN WHEEL, REVERSE GEAR	1
14	380630453-0001	BEARING, RADIAL BALL	1
15	191700003-0001	TRANSMISSION SHAFT PARTS, REVERSE	1
16	191870001-0001	COUNTERSHAFT PARTS, REVERSE GEAR	1
17	380550009-0001	SNAP RING	1
18	380140021-0006	BOLT	2
19	290450004-0001	CHAIN WHEEL, COVER	1
20	380821333-0001	SHAFT COVER	1
21	191400035-0001	COUNTERSHAFT	1
22	191600053-0001	COUNTERSHAFT DRIVE SPROCKET	1
23	191640002-0001	SPROCKET MOUNTING LOCK WASHER	1
24	191530002-0001	COUNTERSHAFT LOCKNUT	1
25	500290072-0002	MAINSHAFT&COUNTERSHAFT KIT	1
26	196410001-0001		1

D-14: SIDE COVERS



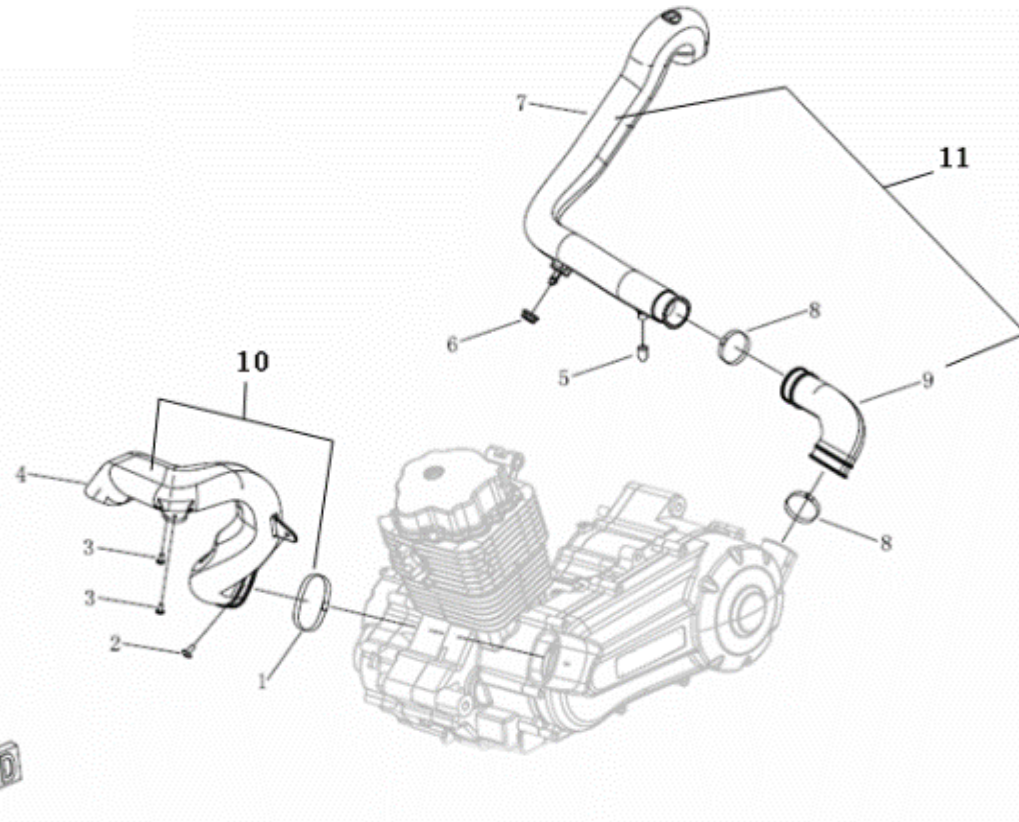
Item	Part Number	Description	Q.ty
1	340870665-0003	COVER, RIGHT SIDE	1
2	195870004-0001	COVER, REVERSE GEAR CONTROL DECO	1
3	380190037-0002	SCREW, HEXAGON SOCKET	10
4	380420034-0001	NUT, CLIP	2
5	380310007-0002	SCREW, CROSS RECESSED PAN SELF-TAP	3
6	170960025-0001	PLATE, TANK CUP	1
7	340750627-0003	COVER, LEFT SIDE	1

D-15: FRAME BODY



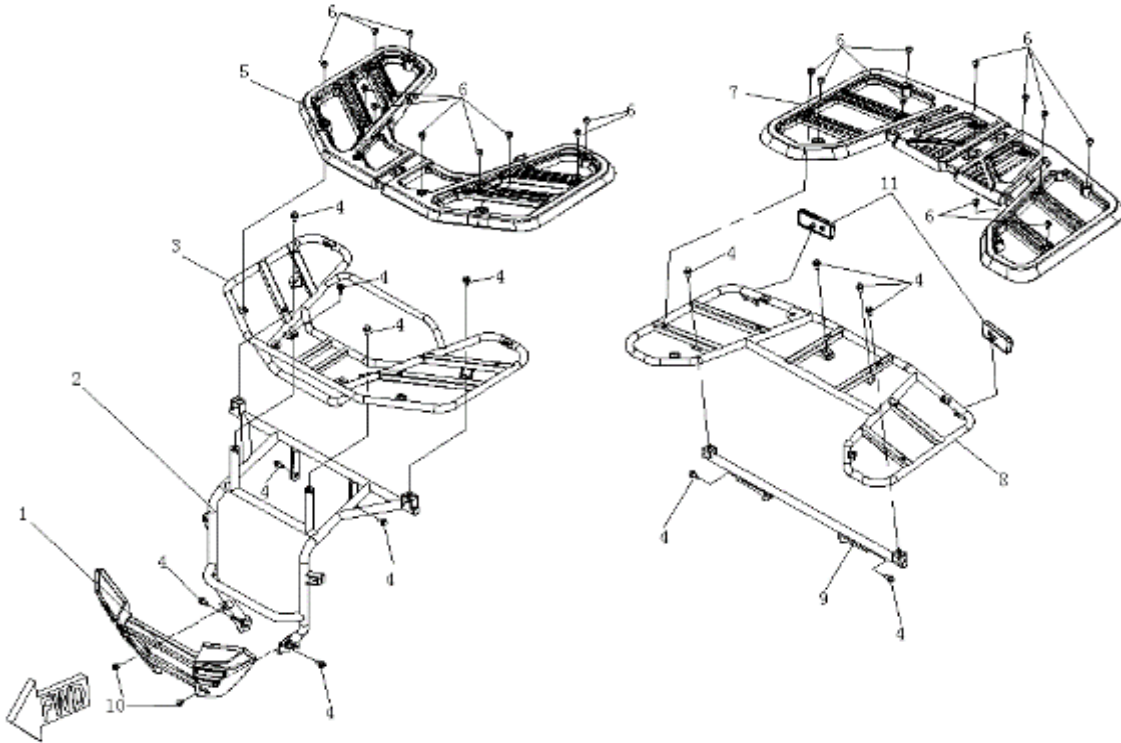
Item	Part Number	Description	Q.ty
1	380823063-0001	COLLAR	1
2	380823064-0001	COLLAR	1
3	300121072-0001	BODY COMP., FRAME	1
4	312770044-0001	LID, TOOL BOX	1
5	380370003-0002	NUT, HEXAGON FLANGE	2
6	312760033-0001	BODY, TOOL BOX	1
7	380710015-0001	BOLT/SCREW/WASHER, PALIN COMP.	5
8	380450028-0003	WASHER, PLAIN	2
9	280720058-0001	LAMP, REAR REGISTRATION PLATE	1
10	340540223-0001	BRACKET, REAR REGISTRATION PLATE	1
11	380370001-0003	NUT, HEXAGON FLANGE	2
12	312730157-0001	TOOL BOX	1

D-16: CVT TRANSMISSION DUCTS



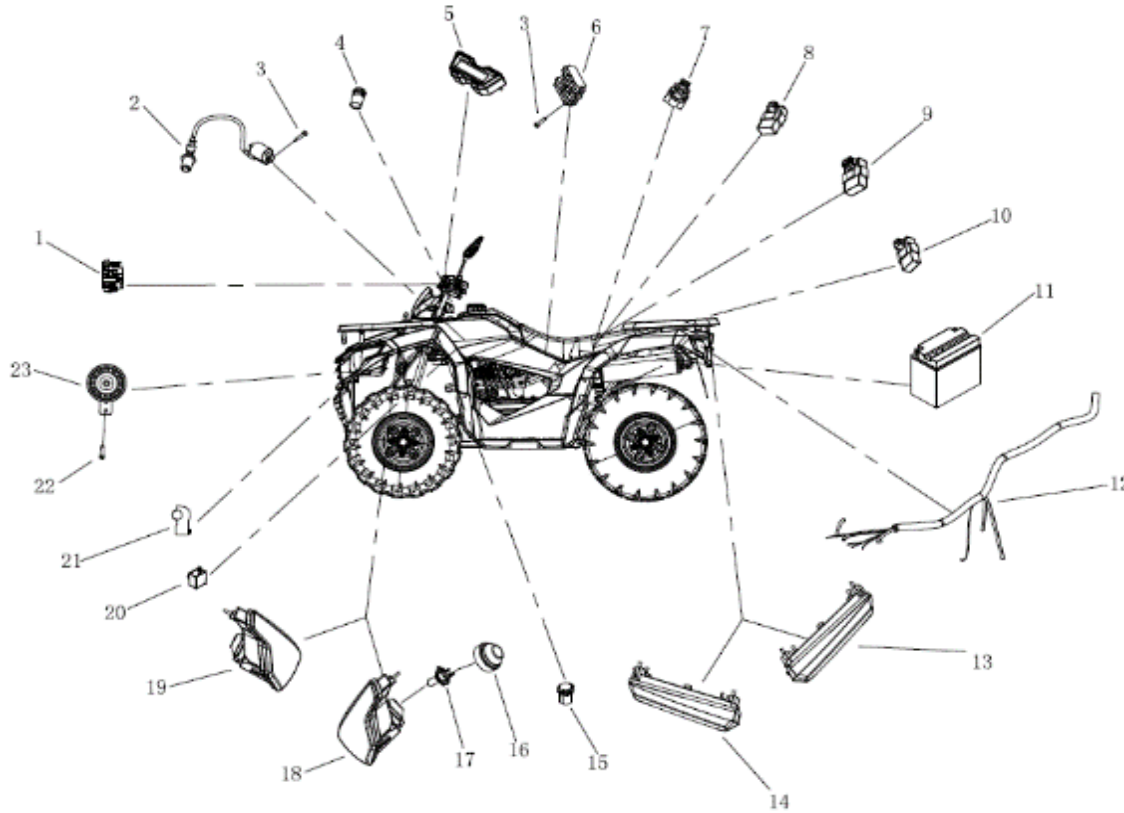
Item	Part Number	Description	Q.ty
1	380960212-0001	HOOP ASSY.	1
2	380190037-0002	SCREW, HEXAGON SOCKET	1
3	380310007-0002	SCREW, CROSS RECESSED PAN SELF-TAP	2
4	380741200-0001	TUBE, BREATHER	1
5	381000168-0001	STOPPER	1
6	380890329-0001	I-RUBBER	1
7	380741176-0001	TUBE, BREATHER	1
8	380960213-0001	HOOP ASSY.	2
9	380741177-0001	TUBE, BREATHER	1
10	380741174-0001	TUBE, BREATHER	1
11	380741175-0001	TUBE, BREATHER	1

D-17: FRONT & REAR RACKS



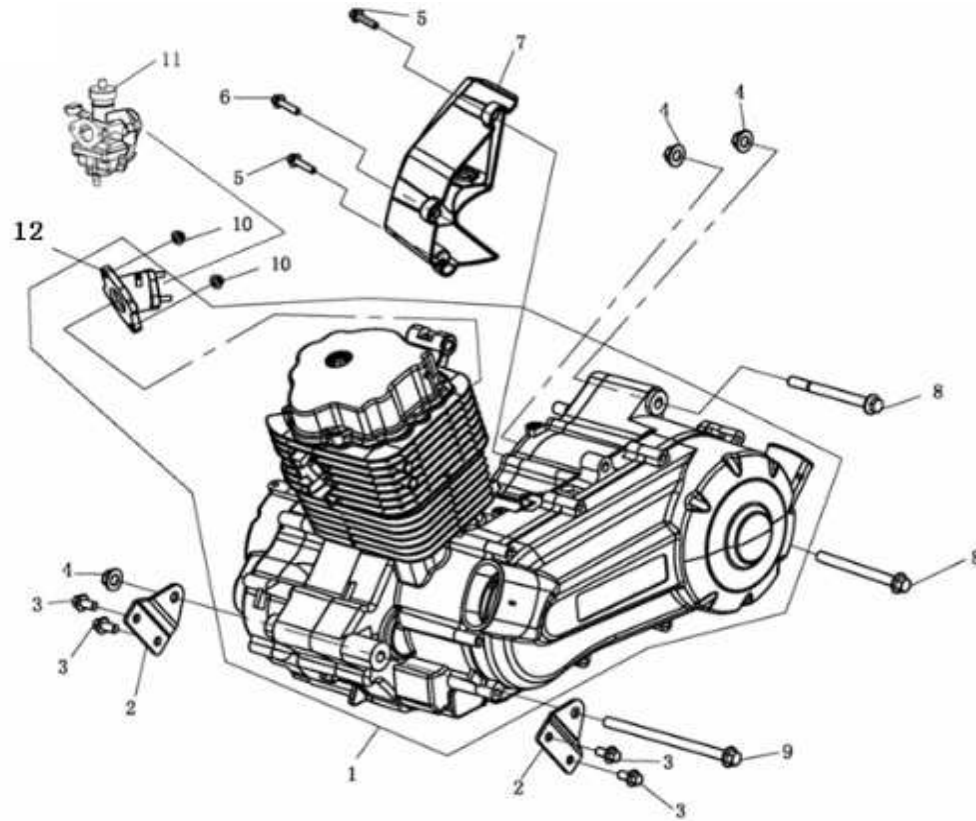
Item	Part Number	Description	Q.ty
1	343920008-0001	COVER COLLISION BUMPER	1
2	331410124-0001	COLLISION BUMPER COMP.	1
3	331120038-0001	LUGGAGE CARRIER COMP., FRONT	1
4	380140040-0001	BOLT, HEXAGON FLANGE	8
5	331170003-0001	COVERING, FRONT LUGGAGE CARRIER	1
6	380190095-0001	SCREW, HEXAGON SOCKET	20
7	331560009-0001	COVERING, REAR LUGGAGE CARRIER	1
8	330640623-0001	LUGGAGE CARRIER COMP., REAR	1
9	300430116-0001	BRACE, REAR FENDER REAR	1
10	380190007-0001	SCREW, HEXAGON SOCKET	2
11	280110098-0001	REFLECTOR, REAR	1

D-18: ELECTRICAL DEVICES



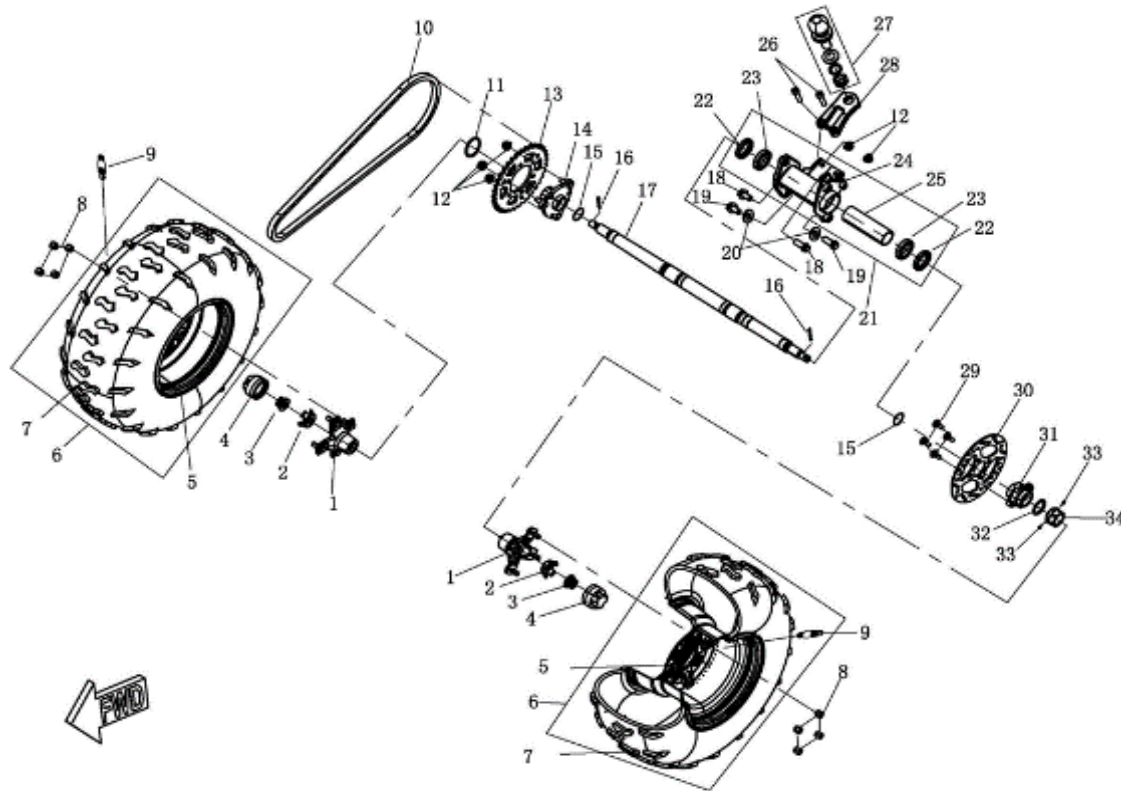
Item	Part Number	Description	Q.ty
1	271390475-0001	SWITCH ASSY., LEFT	1
2	270920228-0001	COIL ASSY., IGNITION	1
3	380140103-0002	BOLT, HEXAGON FLANGE	2
4	271330199-0001	SWITCH ASSY., IGNITION	1
5	281371170-0001	METER ASSY.	1
6	270880134-0001	RECTIFIER REGULATE ASSY.	1
7	270810117-0001	RELAY ASSY., STARTING	1
8	280150072-0001	FLASHER	1
9	271000235-0001	UNIT ASSY., C.D.I.	1
10	273300001-0001	CONTROLLER, GEAR SHIFT	1
11	271060169-0001	BATTERY ASSY.	1
12	OLD: 271231681-0001 NEW: 271231822-0001	HARNESS, WIRE	1
13	283770016-0001	TAIL LIGHT, RIGHT	1
14	280580559-0001	TAIL LIGHT, LEFT	1
15	272270001-0001	CIG.LIGHTER	1
16	285020001-0001	TAIL CAP, HEAD LIGHT PRESSURE	1
17	381020006-0002	BULB	1
18	280360018-0001	LIGHT ASSY., HEAD RIGHT	1
19	280350773-0001	LIGHT ASSY., HEAD LEFT	1
20	272820004-0001	CONTROLLER, HEAD LIGHT	1
21	272150015-0001	INTERVENTION SWITCH	1
22	380140013-0003	BOLT, HEXAGON FLANGE	1
23	280190198-0001	HORN	1

D-19: ENGINE ASS'Y, MOUNTING & CARBURETOR



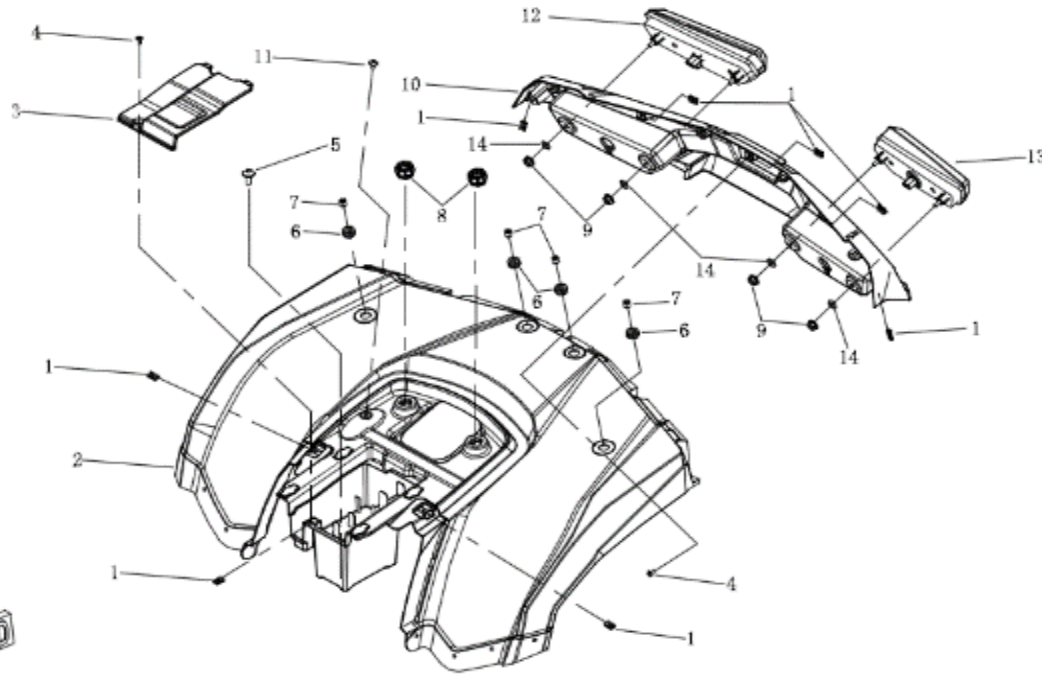
Item	Part Number	Description	Q.ty
1	OLD: F1701K0066-0W0300	ENGINE COMP.	1
	NEW: F1701K0064-0W0300		
2	300020174-0001	PLATE, LEFT FRONT ENGINE HANGER	2
3	380140040-0001	BOLT, HEXAGON FLANGE	4
4	380400001-0001	NUT, PREVAILING TORQUE TYPE ALL-ME	3
5	380140013-0003	BOLT, HEXAGON FLANGE	2
6	380140013-0002	BOLT, HEXAGON FLANGE	1
7	341980007-0001	LID, ENGINE RIGHT DECORATIVE	1
8	380140408-0001	BOLT, HEXAGON FLANGE	2
9	380860113-0002	BOLT, ENGINE HANGER	1
10	380370003-0002	NUT, HEXAGON FLANGE	2
11	170021668-0001	CARBURETOR ASSY.	1
12	180420463-0001	TUBE, AIR INTAKE	1

D-20: REAR TRACK



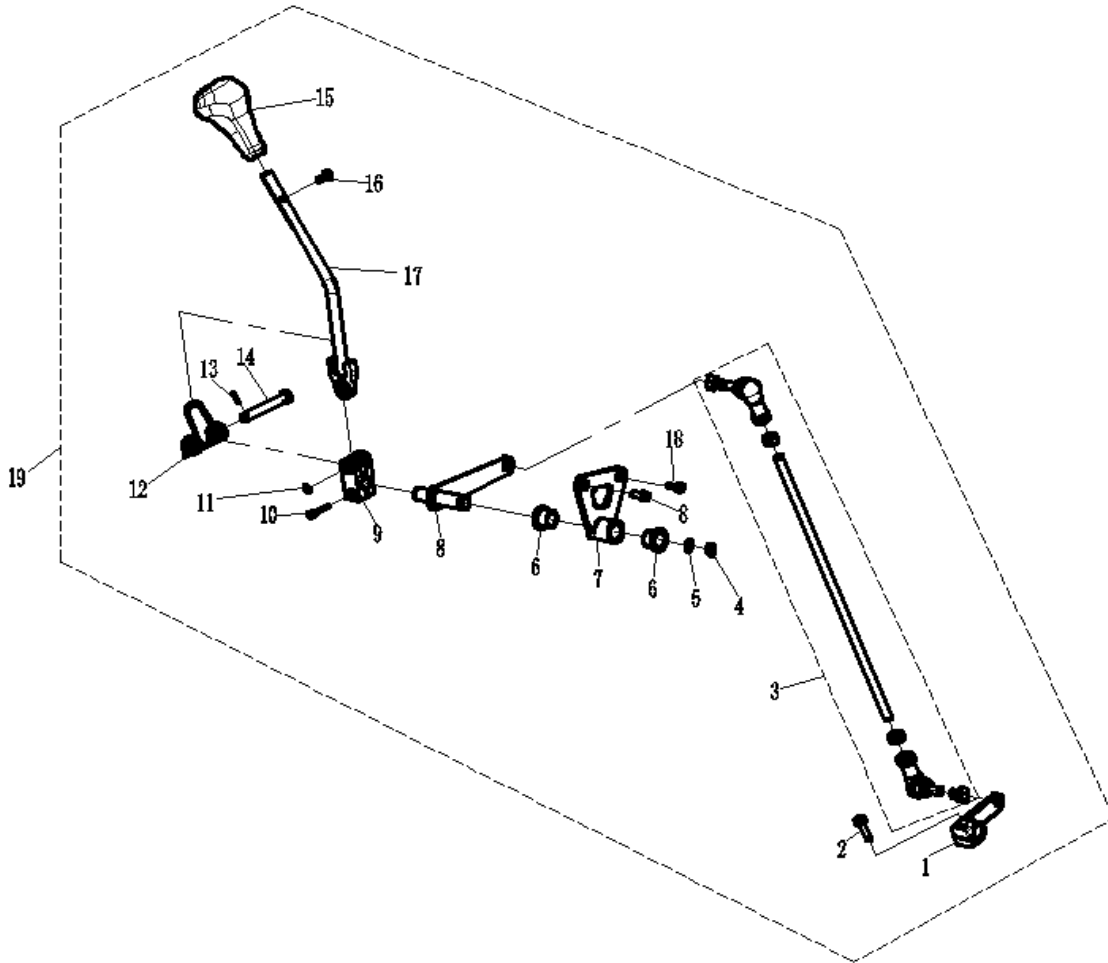
Item	Part Number	Description	Q.ty
1	290270009-0001	LAND, REAR WHEEL	2
2	380470072-0001	WASHER, FLANGE	2
3	260470002-0001	NUT, REAR AXLE SHAFT	2
4	290130003-0001	DUST HELMET, HUB	2
5	290220392-0001	WHEEL, REAR	2
6	290210238-0001	WHEEL ASSY., REAR	2
7	290150626-0001	TYRE ASSY.	2
8	380370060-0001	TAPER NUT	8
9	290200052-0001	CORE, VALVE	2
10	260010213-0001	CHAIN, DRIVE	1
11	380560070-0001	CHECK RING, STEEL CABLE BAFFLE	1
12	380400001-0001	NUT, PREVAILING TORQUE TYPE ALL-ME	5
13	290420241-0001	SPROCKET, FINAL DRIVEN	1
14	290390094-0001	SEAT, SPROCKET WHEEL	1
15	380840786-0001	RING, SEAL	2
16	380590045-0001	PIN, COTTER	2
17	260440017-0001	REAR AXLE SHAFT	1
18	380140380-0001	BOLT, HEXAGON FLANGE	2
19	380140371-0001	WASHER, PLAIN	2
20	380450096-0003	WASHER, PLAIN	2
21	260370026-0001	BODY COMP., REAR AXLE CASE	1
22	380630450-0001	BEARING	2
23	380840964-0001	RING, SEAL	2
24	260380008-0001	CASE, REAR AXLE	1
25	260400003-0001	LINING, REAR AXLE INNER	1
26	380190014-0001	SCREW, HEXAGON SOCKET	2
27	260610002-0001	BALL, TRAILER	1
28	260640001-0001	HOOK, TRAILER	1
29	380120012-0001	BOLT, HEXAGON SOCKET RAISED FACE C	4
30	291930024-0001	DISK COMP., LEFT REAR BRAKE	1
31	291960009-0001	BASE, REAR BRAKE DISK	1
32	261070002-0001	LOCKED SPACER, DIFFERENTIAL MECHA	1
33	380190154-0001	SCREW, HEXAGON SOCKET	2
34	260920001-0001	ADJUST NUT, REAR AXLE SEMI-SHAFT BE	1

D-21: REAR CAB



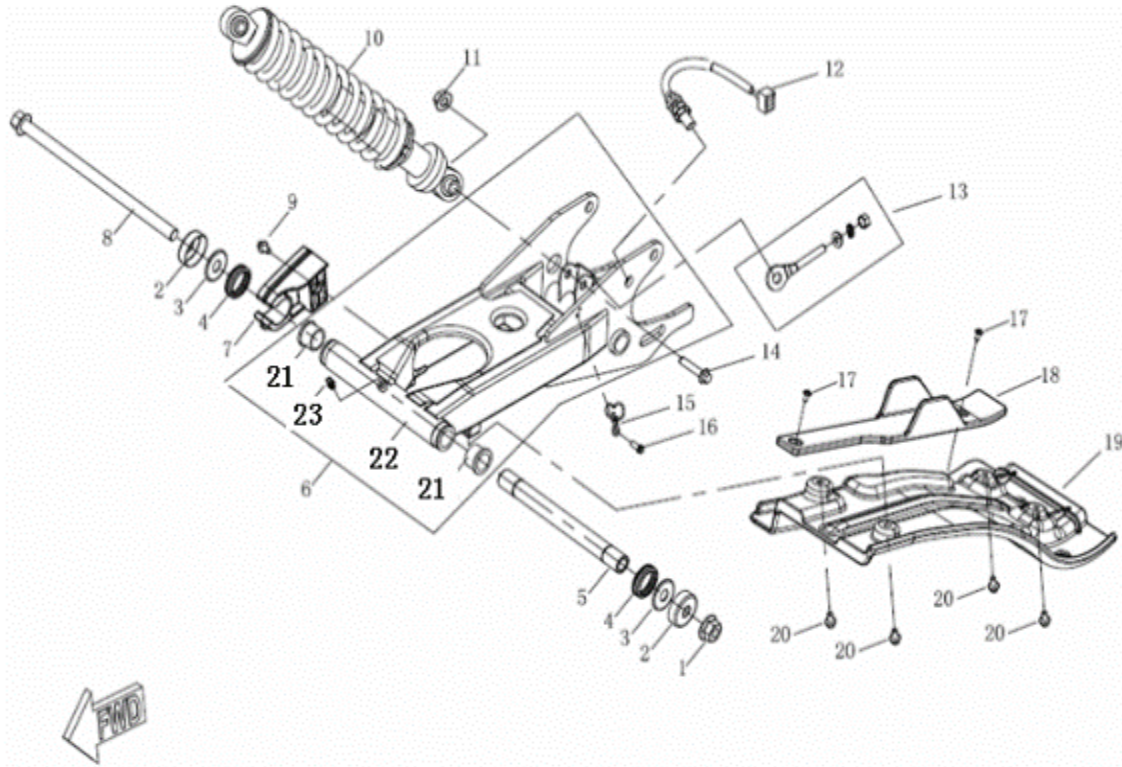
Item	Part Number	Description	Q.ty
1	380420034-0001	NUT, CLIP	8
2	340660287-0003	FENDER COMP., REAR	1
3	274030002-0001	PLATE ELECTRONICS BOX	1
4	380190037-0002	SCREW, HEXAGON SOCKET	6
5	380190005-0004	SCREW, HEXAGON SOCKET	1
6	380890129-0001	I-RUBBER	4
7	380821809-0001	COLLAR	4
8	330120335-0001	RUBBER SHEET, SEAT BRACE	2
9	380370018-0001	NUT, HEXAGON FLANGE	4
10	283360010-0001	LENS, TAIL LIGHT PROTECTIVE	1
11	380190007-0001	SCREW, HEXAGON SOCKET	1
12	283770016-0001	TAIL LIGHT, RIGHT	1
13	280580559-0001	LIGHT UNIT, TAIL	1
14	380450007-0002	WASHER, PLAIN	2

D-22: GEAR SHIFT LEVER



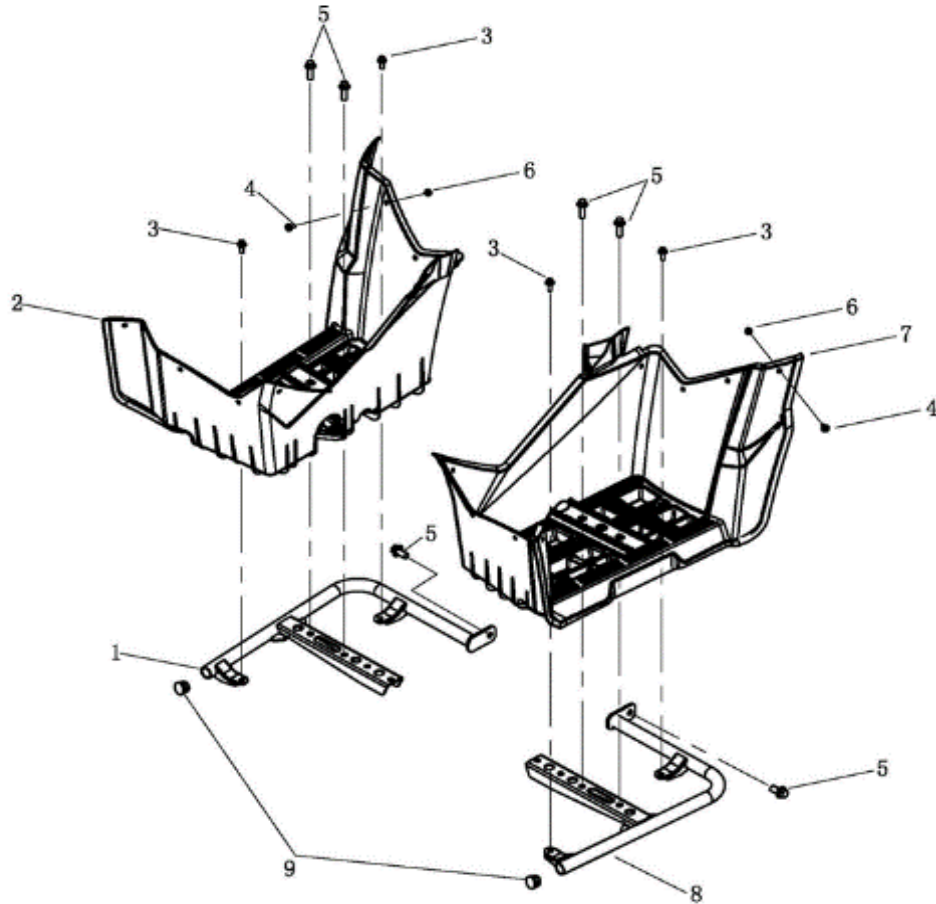
Item	Part Number	Description	Q.ty
1	194780004-0001	ROCKER ARM, GEAR SHIFT	1
2	380140013-0003	BOLT, HEXAGON FLANGE	1
3	196690014-0001	LEVER GEAR ASSY	1
4	380570015-0002	SPLIT WASHER	1
5	380450019-0002	WASHER, PLAIN	1
6	380822792-0001	COLLAR	2
7	195560007-0001	BRACKET, REVERSE MECHANISM MOUN	1
8	195450003-0001	BODY SET, REVERSE GEAR CONTROL RO	1
9	192790004-0001	SEAT, REVERSE GEAR CLAMPING	1
10	38007006-0002	BOLT, HEXAGON	1
11	380450019-0002	WASHER, PLAIN	1
12	381160117-0001	SPRING, TORSIONAL	1
13	380590009-0001	PIN, COTTER	1
14	194890002-0001	PIN	1
15	192490010-0001	SLEEVE, LEVER	1
16	380190037-0001	SCREW, HEXAGON SOCKET	1
17	192450008-0001	REVERSE GEAR OPERATING MECHANISN	1
18	380140040-0001	BOLT, HEXAGON FLANGE	2
19	192450007-0001	REVERSE GEAR OPERATING MECHANISN	1

D-23: SWING ARM



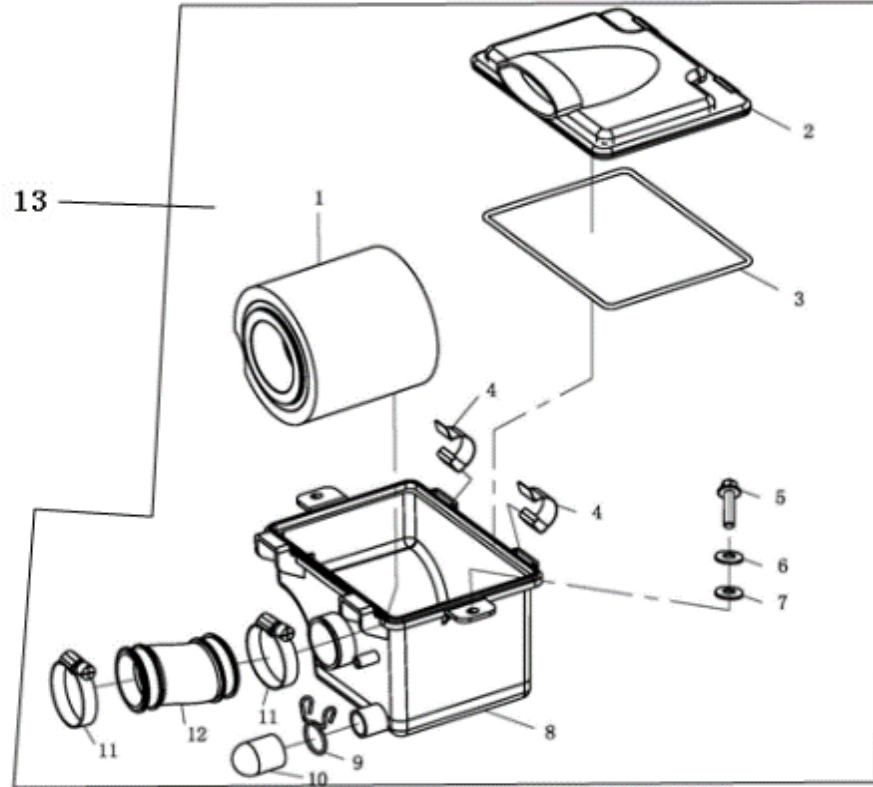
Item	Part Number	Description	Q.ty
1	380400016-0003	NUT, PREVAILING TORQUE TYPE ALL-ME	1
2	311100031-0001	CAP, REAR FORK DUST SEAL	2
3	380451021-0001	WASHER, PLAIN	2
4	311140005-0001	SOLDERING CUP, REAR FORK	2
5	311200036-0001	TUBE, REAR FORK PIVOT BOLT	1
6	311080521-0001	FORK ASSY., REAR	1
7	311410188-0001	SLIDER, DRIVE CHAIN	1
8	380870834-0001	AXIS	1
9	380140103-0002	BOLT, HEXAGON FLANGE	1
10	310790504-0001	ABSORBER ASSY., LEFT REAR SHOCK	1
11	380400001-0002	NUT, PREVAILING TORQUE TYPE ALL-ME	2
12	OLD: 281920019-0001	TRANSDUCER, VELOCITY	1
	NEW: 281920030-0001		
13	311430087-0001	ADJUSTER, DRIVE CHAIN LEFT	2
14	380140287-0001	BOLT, HEXAGON FLANGE	2
15	380940678-0001	CLAMP, WIRE	1
16	380140067-0001	BOLT, HEXAGON FLANGE	1
17	380580130-0001	RIVET	2
18	311410186-0001	SLIDER, DRIVE CHAIN	1
19	261310002-0001	SHIELD, REAR AXLE	1
20	380710015-0001	BOLT/SCREW/WASHER, PALIN COMP.	4
21	380823067-0001	COLLAR, REAR FORK	2
22	311080498-0001	FORK ASSY., REAR	1
23	381010008-0001	CUP, OIL	1

D-24: FOOTWELL



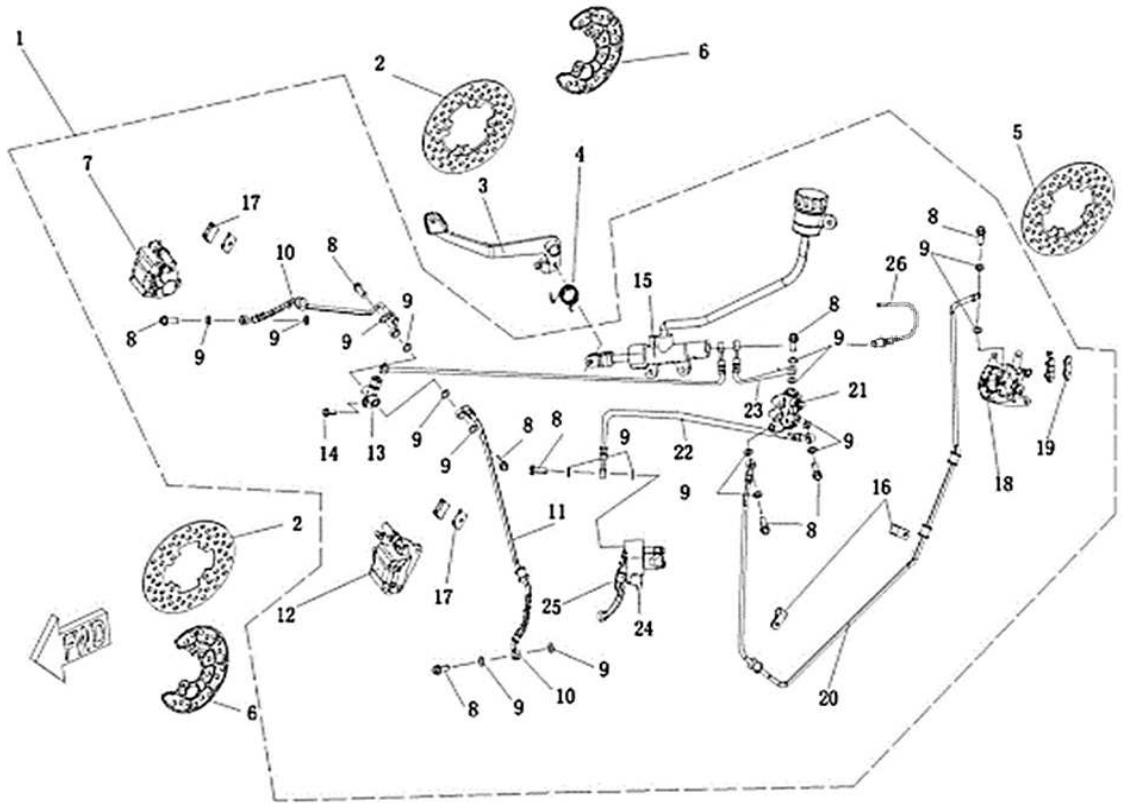
Item	Part Number	Description	Q.ty
1	311680059-0001	HOLD COMP., RIGHT STEP	1
2	342130116-0001	BACKPLANE, FOOTREST	1
3	380140013-0003	BOLT, HEXAGON FLANGE	4
4	380190037-0002	SCREW, HEXAGON SOCKET	16
5	380140040-0001	BOLT, HEXAGON FLANGE	6
6	380370012-0002	NUT, HEXAGON FLANGE	13
7	342130115-0001	BACKPLANE, FOOTREST	1
8	311670061-0001	HOLD COMP., LEFT STEP	1
9	381000349-0001	END CAP	2

D-25: AIRBOX



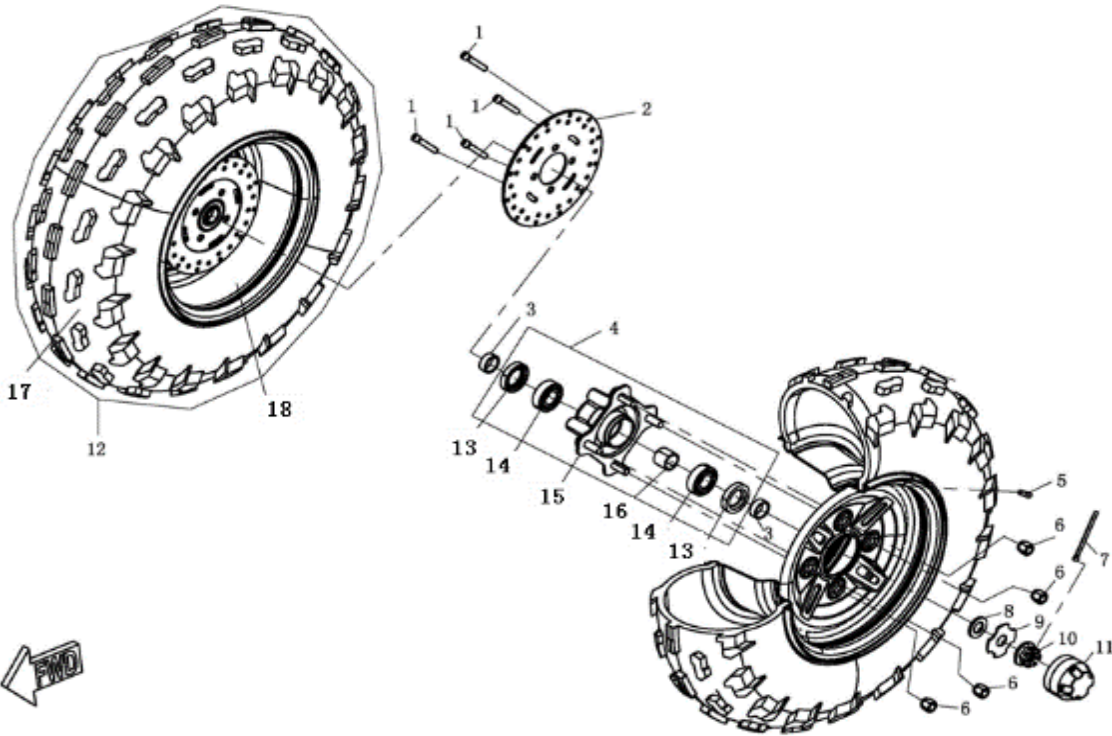
Item	Part Number	Description	Q.ty
1	180130174-0001	ELEMENT, AIR CLEANER	1
2	180070132-0001	CAP, AIR CLEANER CASE	1
3	180090060-0001	GLAND STRIP, AIR CLEANER	1
4	180170019-0001	CLIP, AIR CLEANER COVERING	2
5	380140067-0001	BOLT, HEXAGON FLANGE	2
6	380450004-0002	WASHER, PLAIN	2
7	380920094-0001	PLAIN WASHER, RUBBER	2
8	180040139-0001	CASE, AIR CLEANER	1
9	380950271-0001	CLAMP, TUBE	1
10	181240013-0001	PLUG, ASH DISPOSAL	1
11	380970104-0001	HOOP	2
12	180180155-0001	TUBE, AIR CLEANER CONNECTING	1
13	180020805-0001	AIR CLEANER	1

D-26: BRAKING SYSTEM



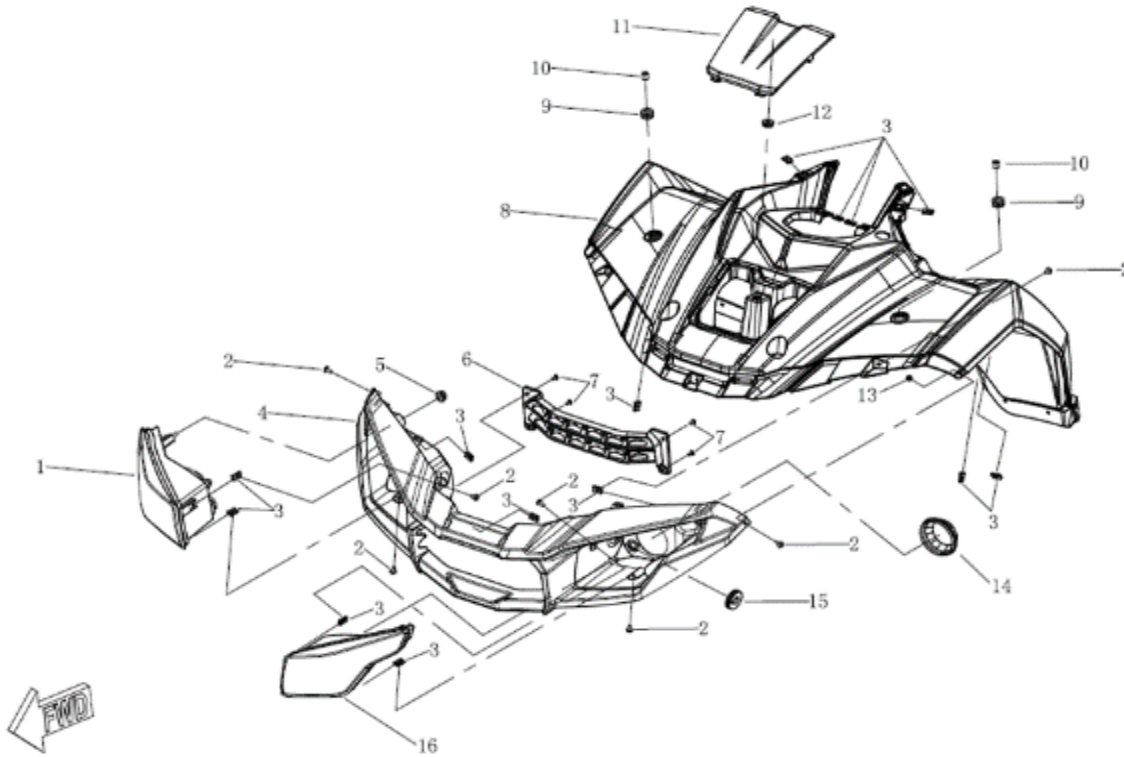
Item	Part Number	Description	Q.ty
1	291410228-0001	DISC-BRAKE ASSY., FRONT	1
2	291420169-0001	DISK COMP., LEFT FRONT BRAKE	2
3	291120411-0001	PEDAL, REAR BRAKE	1
4	381160208-0001	SPRING, TORSIONAL	1
5	291930024-0001	DISK COMP., LEFT REAR BRAKE	1
6	291460014-0002	DUST HELMET, FRONT DISC-BRAKE	2
7	291640103-0001	CALIPER ASSY., LEFT	1
8	291800023-0001	BOLT, DISC-BRAKE HOSE	7
9	380450089-0001	WASHER, PLAIN	15
10	292230089-0001	HOSE COMP., FRONT DISC-BRAKE	1
11	292230087-0001	HOSE COMP., FRONT DISC-BRAKE	1
12	291650007-0001	CALIPER ASSY., RIGHT	1
13	170730010-0001	T-JUNCTION	1
14	380140102-0003	BOLT, HEXAGON FLANGE	1
15	291980041-0001	CYLINDER ASSY., REAR DISC-BRAKE	1
16	292240045-0001	HOOK, HOSE	2
17	291710082-0001	PAD COMP., FRONT DISC-BRAKE	2
18	292010033-0001	CALIPER ASSY., REAR BRAKE LEFT	1
19	292400019-0001	PAD COMP., REAR DISC-BRAKE LEFT	1
20	292970029-0001	HOSE, BRAKE	1
21	291830002-0001	DISC BRAKE DISTRIBUTION VALVE	1
22	292230090-0001	HOSE COMP., FRONT DISC-BRAKE	1
23	292970028-0001	HOSE, BRAKE	2
24	291480171-0001	MASTER CYLINDER, HANDLEBAR	1
25	271720241-0001	LEVER COMP.,RIGHT STEERING HANDLE	1
26	271760153-0001	REAR BRAKE SWITCH	1

D-27: FRONT WHEELS



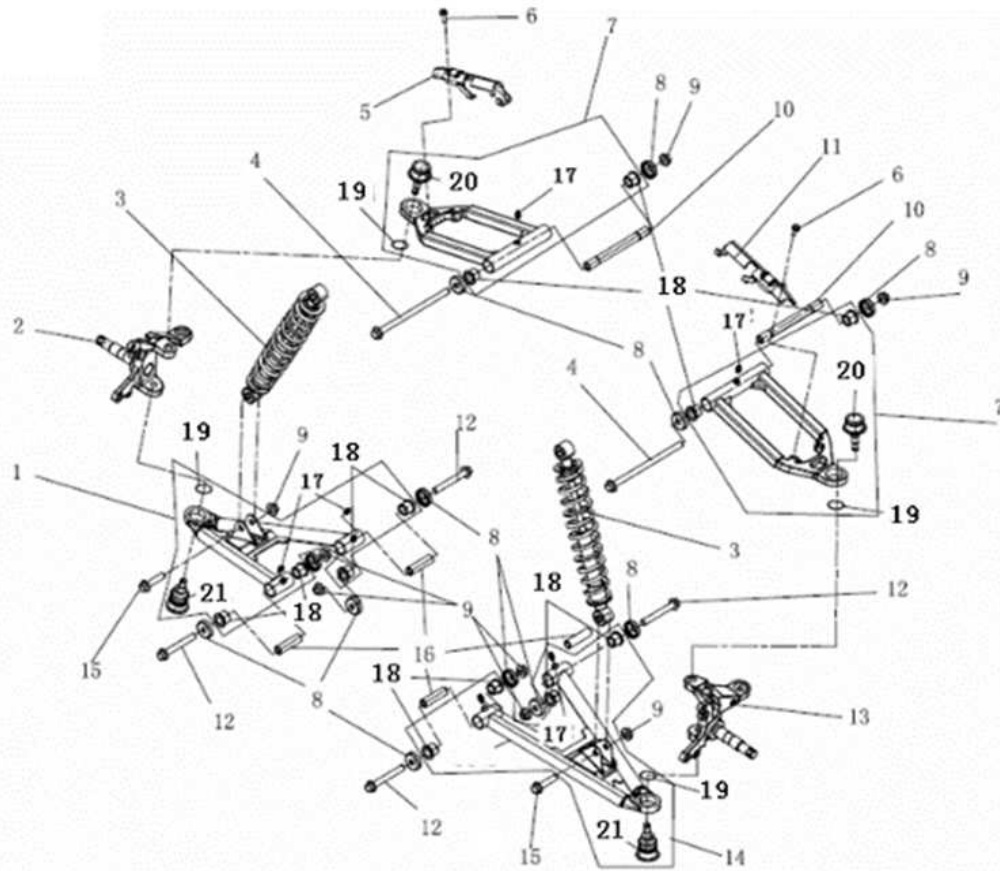
Item	Part Number	Description	Q.ty
1	380120014-0001	BOLT, HEXAGON SOCKET RAISED FACE C	4
2	291420169-0001	DISK COMP., LEFT FRONT BRAKE	1
3	380821881-0001	COLLAR	2
4	290090005-0001	LAND, FRONT WHEEL	1
5	290200052-0001	CORE, VALVE	1
6	380370060-0001	TAPER NUT	4
7	380590045-0001	PIN, COTTER	1
8	380450156-0004	WASHER, PLAIN	1
9	380470105-0001	WASHER, FLANGE	1
10	260470002-0001	NUT, REAR AXLE SHAFT	2
11	290130003-0001	DUST HELMET, HUB	2
12	290010256-0001	WHEEL ASSY., FRONT	2
13	380650655-0001	OIL SEAL	2
14	380630031-0001	BEARING	2
15	293420004-0001	BODY, FRONT WHEEL LAND	2
16	380823115-0001	COLLAR	1
17	290150627-0001	TYRE ASSY.	2
18	290020390-0001	WHEEL, FRONT	2

D-28: FRONT FENDER



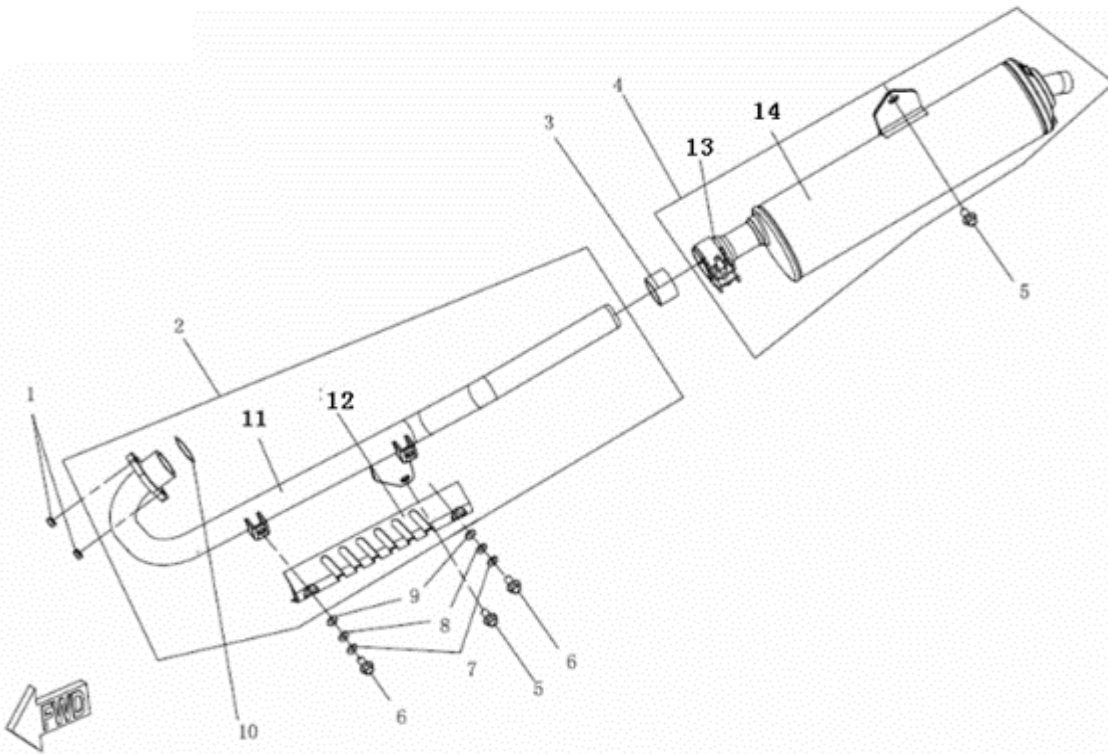
Item	Part Number	Description	Q.ty
1	280360018-0001	LIGHT ASSY., HEAD RIGHT	1
2	380190037-0002	SCREW, HEXAGON SOCKET	9
3	380420034-0001	NUT, CLIP	14
4	280560038-0001	LENS, HEAD LIGHT LEFT DECORATING	1
5	380370003-0002	NUT, HEXAGON FLANGE	2
6	341990004-0001	COVER, RADIATOR LEFT DECORATIVE	1
7	380310007-0002	SCREW, CROSS RECESSED PAN SELF-TAP	4
8	340310606-0003	FENDER COMP., FRONT	1
9	380890129-0001	I-RUBBER	2
10	380821809-0001	COLLAR	2
11	350030063-0003	COVER, FRONT LUGGAGE CASE	1
12	380890329-0001	I-RUBBER	1
13	380370001-0003	NUT, HEXAGON FLANGE	2
14	141140007-0001	CAP, DUST	2
15	380910062-0001	I-RUBBER	2
16	280350773-0001	LIGHT ASSY., HEAD LEFT	1

D-29: FRONT SUSPENSION



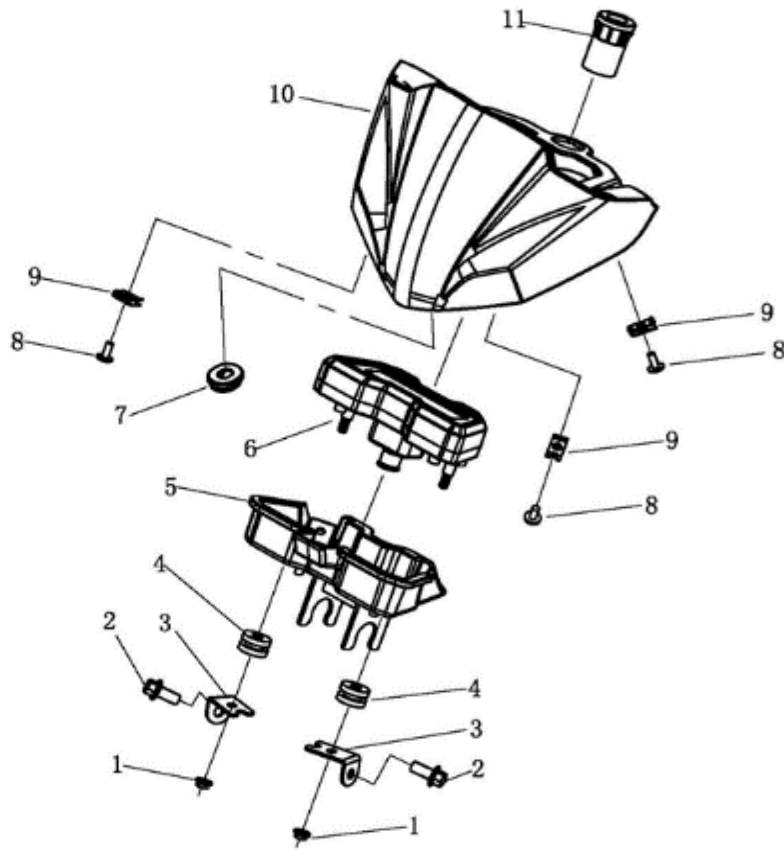
Item	Part Number	Description	Q.ty
1	312650020-0001	ROCKER ARM, RIGHT FRONT LOWER	1
2	312690014-0001	STEERING KNUCKLE BEARING ASSY., RIG	1
3	310450587-0001	FORK ASSY., LEFT FRONT	2
4	380870836-0001	AXIS	2
5	294150001-0001		1
6	380140013-0003	BOLT, HEXAGON FLANGE	2
7	312620019-0001	ROCKER ARM, FRONT UPPER	2
8	311100032-0001	DUSTPROOF COVER	12
9	380400001-0002	NUT, PREVAILING TORQUE TYPE ALL-ME	6
10	380823069-0001	COLLAR	2
11	294150001-0001		1
12	380140401-0001	BOLT, HEXAGON FLANGE	4
13	312680014-0001	STEERING KNUCKLE BEARING ASSY., LEF	1
14	312640024-0001	ROCKER ARM, LEFT FRONT LOWER	1
15	380140287-0001	BOLT, HEXAGON FLANGE	2
16	380823068-0001	COLLAR	4
17	381010008-0001	CUP, OIL	6
18	314110003-0001	BUSHING, UPPER ROCKER ARM	12
19	380550114-0001	CHECK RING, ELASTIC	4
20	OLD: 313950003-0001 NEW: 313950004-0001	BALL-JOINT, UPPER	2
21	OLD: 313960003-0001 NEW: 313960005-0001	BALL-JOINT, LOWER	2

D-30: EXHAUST SYSTEM



Item	Part Number	Description	Q.ty
1	380370003-0002	NUT, HEXAGON FLANGE	2
2	180590292-0001	PIPE, EXHAUST	1
3	180660041-0001	GASKET, MUFFLER	1
4	180690206-0001	BODY, MUFFLER	1
5	380140040-0001	BOLT, HEXAGON FLANGE	2
6	380200009-0001	SCREW, CROSS RECESSED PAN	2
7	380460005-0003	WASHER, ELASTIC	2
8	380450028-0002	WASHER, PLAIN	2
9	181600018-0001	INSULATION BLANKET	2
10	180650075-0001	GASKET, EXHAUST OPENING	1
11	181800029-0001	KNEE BEND, MUFFLER FRONT	1
12	180900083-0001	SHIELD, WARM PROOF	1
13	380970094-0001	HOOP	1
14	181040149-0001	TUBE, MUFFLER OUTSIDE	1

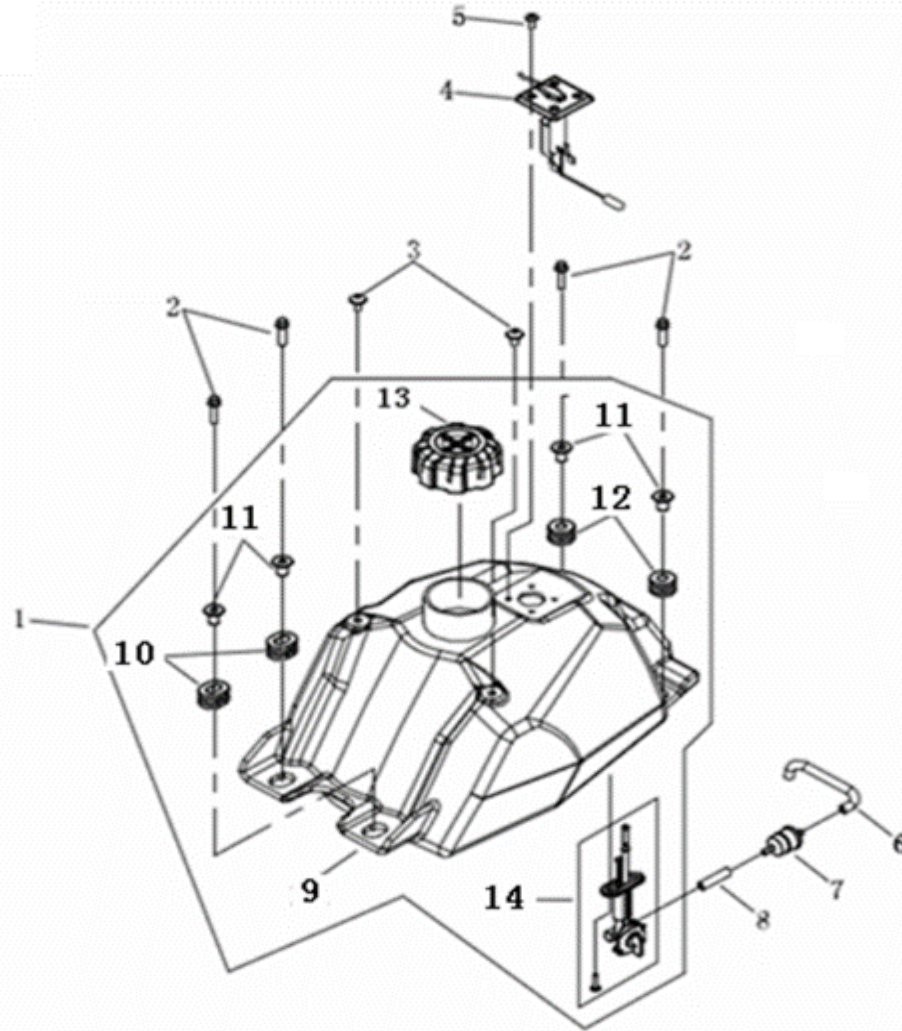
D-31: DASHBOARD



Item	Part Number	Description	Q.ty
1	380370003-0002	NUT, HEXAGON FLANGE	2
2	380070022-0002	HEXAGON BOLT	2
3	282930006-0001	METER SUPPORT	2
4	380890337-0001	I-RUBBER	2
5	341690024-0001	CAP, METER DECORATIVE	1
6	281371170-0001	METER ASSY.	1
7	380890330-0001	I-RUBBER	1
8	380190037-0002	SCREW, HEXAGON SOCKET	3
9	380420034-0001	NUT, CLIP	3
10	341690023-0001	CAP, METER DECORATIVE	1
11	271330199-0001	SWITCH ASSY., IGNITION	1

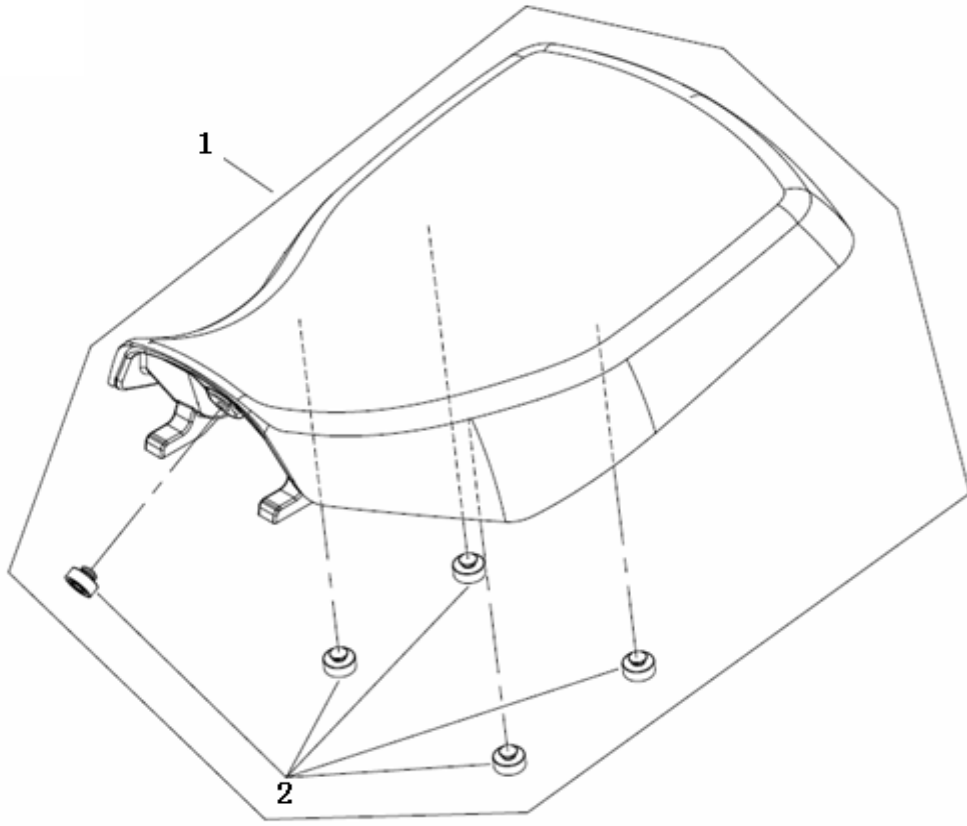


D-32: FUEL TANK

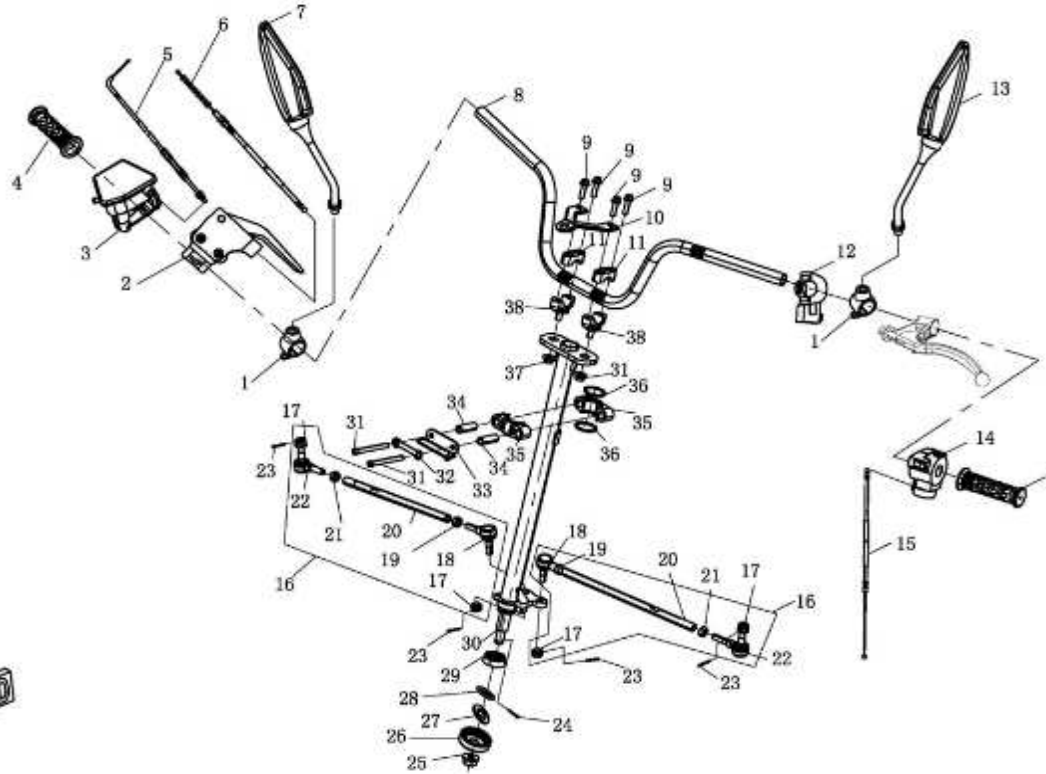


Item	Part Number	Description	Q.ty
1	170490209-0001	FUEL TANK COMP.	1
2	380140103-0002	BOLT, HEXAGON FLANGE	4
3	380190043-0004	SCREW, HEXAGON SOCKET	2
4	281850274-0001	SENSOR, FUEL LEVEL	1
5	380190131-0001	SCREW, HEXAGON SOCKET	4
6	380750769-0001	TUBE, FUEL	1
7	170010023-0001	FILTER, FUEL	1
8	380750768-0001	TUBE, FUEL	1
9	170501127-0001	FUEL TANK	1
10	380890335-0001	I-RUBBER	2
11	380823116-0001	COLLAR	4
12	170870133-0001	I-RUBBER	2
13	380890336-0001	CAP, FUEL TANK	1
14	170980121-0001	SWITCH, FUEL	1

Item	Part Number	Description	Q.ty
1	330010896-0001	SEAT COMP.	1
2	330120336-0001	RUBBER SHEET, SEAT BRACE	5



D-34: STEERING STEAM



Item	Part Number	Description	Q.ty
1	271480050-0001	SEAT, LEFT REAR VIEW MIRROR	2
2	292060004-0001	PARKING BRAKE HANDLE GRIP	1
3	320190195-0001	GREASER COMP.	1
4	320180164-0001	GRIP SET, HANDLE	2
5	171210543-0001	CABLE COMP., THROTTLE	1
6	292070072-0001	CABLE, PARKING	1
7	360530150-0001	MIRROR, RIGHT REAR VIEW	2
8	320020341-0001	PIPE COMP., STEERING HANDLE	2
9	380140093-0001	BOLT, HEXAGON FLANGE	4
10	281570156-0001	BRACKET, METER	1
11	310200057-0001	HOLDER, STEERING HANDLE PIPE	2
12	272150015-0001	INTERVENTION SWITCH	1
13	360500150-0001	MIRROR, LEFT REAR VIEW	1
14	271390475-0001	SWITCH ASSY., LEFT	1
15	320320261-0001	CABLE COMP., CHOKE	1
16	320500016-0001	STEERING LINKAGE COMP.	2
17	380410008-0001	NUT, HEXAGON SLOTTED	4
18	320530003-0001	SPHERE-PIN COMP., STEERING LINKAGE	2
19	380340022-0002	NUT, HEXAGON HEAD	2
20	320510009-0001	STEERING LINKAGE COMP.	2
21	380340022-0002	NUT, HEXAGON HEAD	2
22	320520003-0001	SPHERE-PIN COMP., STEERING LINKAGE	2
23	380590015-0003	PIN, COTTER	4
24	380590011-0004	PIN, COTTER	1
25	380400016-0003	NUT, PREVAILING TORQUE TYPE ALL-ME	1
26	311100034-0001	CAP, REAR FORK DUST SEAL	1
27	380451021-0001	WASHER, PLAIN	1
28	380840965-0001	RING, SEAL	1
29	310320021-0001	DUST PACKING, STEERING STEM	1
30	310130220-0001	BODY SET, STEERING STEM	1
31	380070211-0001	BOLT, HEXAGON	2
32	290400033-0001	LOCK WASHER	1
33	380940679-0001	CLAMP, WIRE	1
34	OLD: 380821742-0001 NEW: 380823497-0001	COLLAR	2
35	OLD: 310340001-0001 NEW: 310340010-0001	WASHER, STEERING STEM	2
36	310350001-0001	SNAP RING, STEERING STEM	2
37	380400001-0002	NUT, PREVAILING TORQUE TYPE ALL-ME	2
38	310210036-0001	HOLDER, HANDLE (LOWER)	2

D-35: SECONDARY AIR INTAKE SYSTEM

Item	Part Number	Description	Q.ty
1	180530005-0001	THROTTLE VALVE ASSY	1
2	180470043-0001	THROTTLE SWITCH	1
3	180520174-0001	TUBE, SECONDARY AIR INTAKE	1
4	180520173-0001	TUBE, SECONDARY AIR INTAKE	1
5	380070010-0004	BOLT, HEXAGON	2
6	180520111-0001	TUBE, SECONDARY AIR INTAKE	1
7	380140002-0001	BOLT, HEXAGON FLANGE	2
8	180540013-0001	GASKET, AIR COMPENSATING TUBE	1
9	380370003-0002	NUT, HEXAGON FLANGE	2
10	380741198-0001	TUBE, BREATHER	1

