

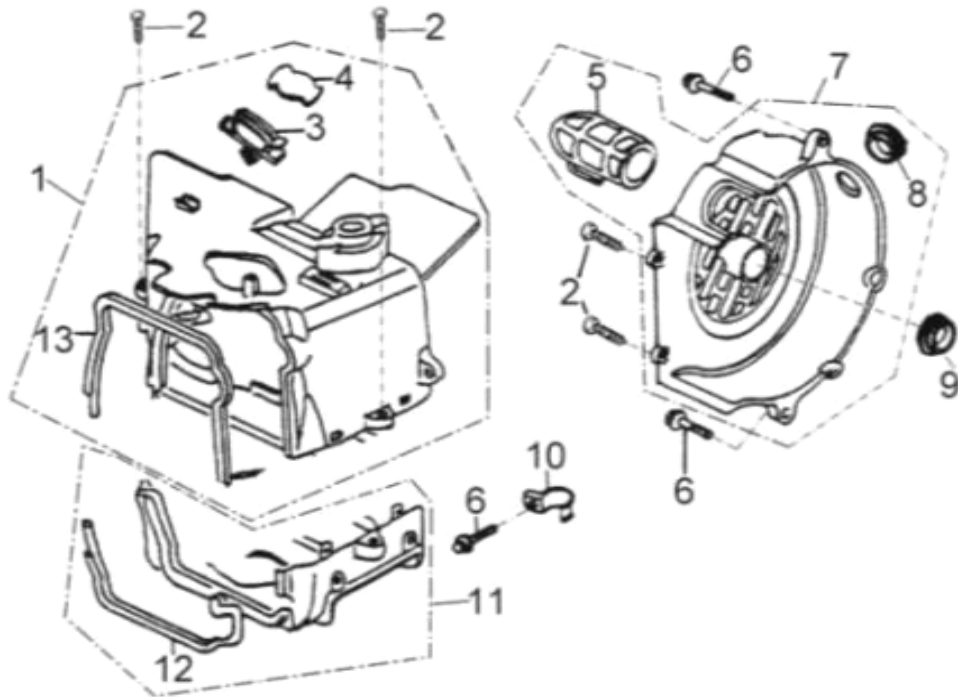
OVERLAND

THE LIFE STYLE ADVENTURE



A **AEON**
ATVSPECIALIST

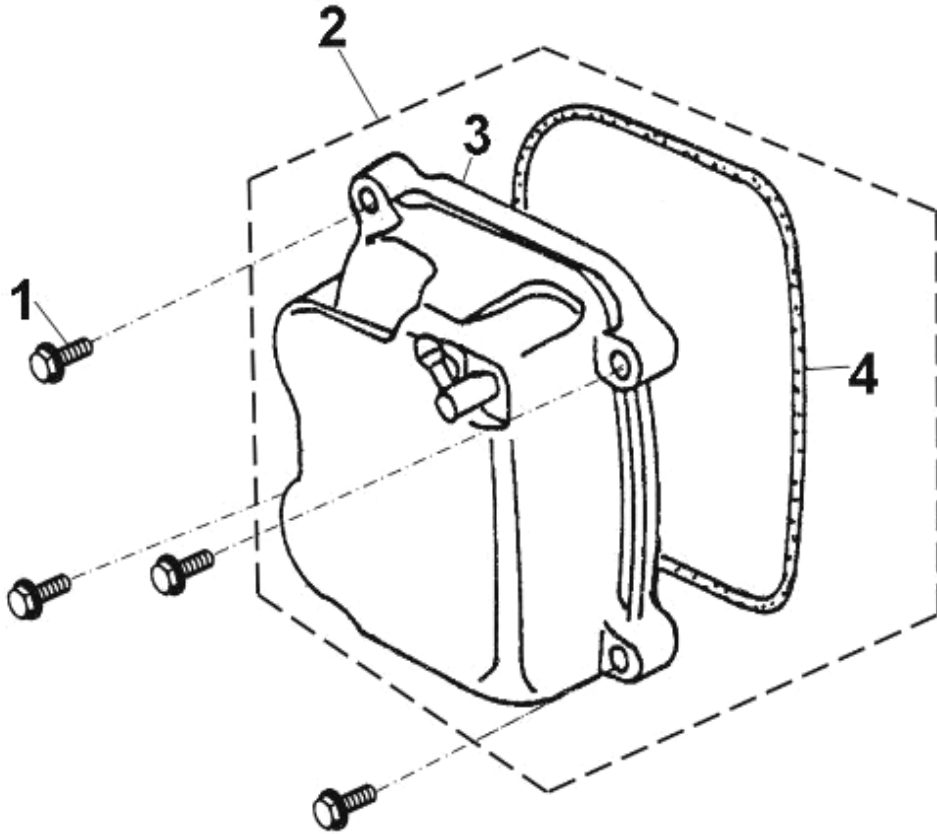
D-1: FAN COVER



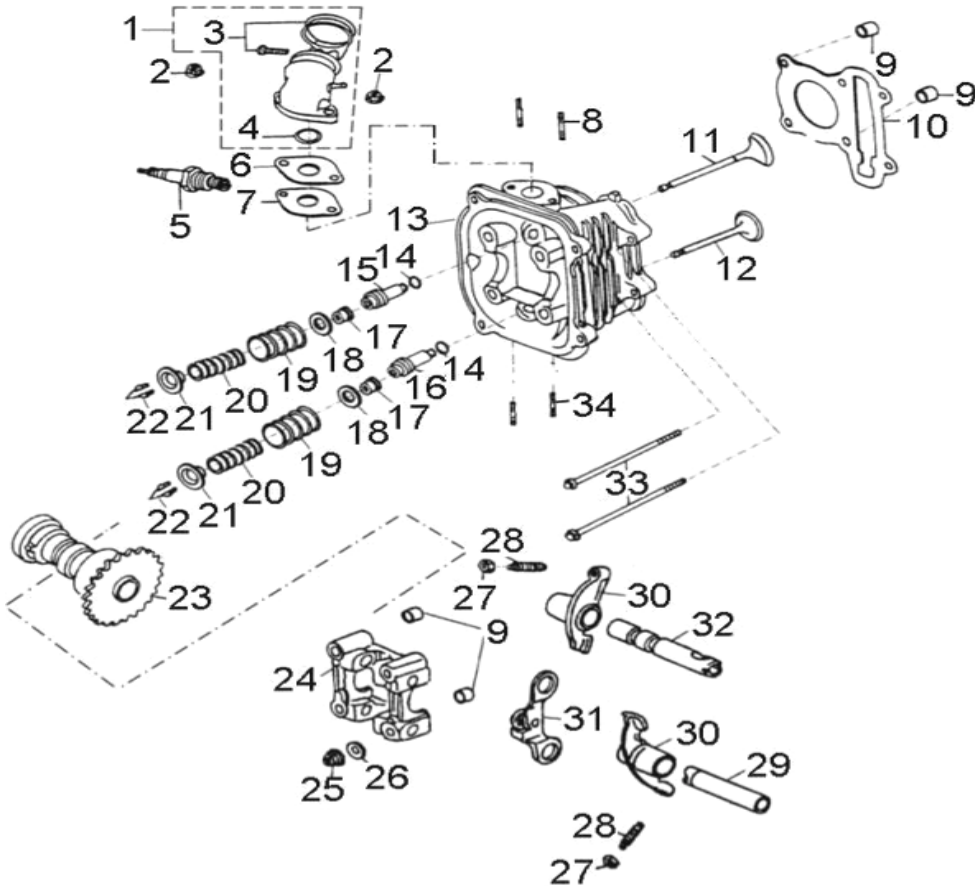
ITEM	DESCRIPTION	P/N	Q'TY
1	Asm., Shroud, Upper	19623119-000	1
2	Screw, Tappinmg	93904-3050168-00K	4
3	Clamp	19628119-000	1
4	Plug, Rubber	19633119-000	1
5	Elbow, Outlet	19615201-000	1
6	Bolt	96000-060258-08C	3
7	Cover Set, Fly Wheel	19610119-001	1
8	Cap	19529119-000	1
9	Cap	19611156-000	1
10	Clamp	19629119-000	1
11	Asm., Shroud, Lower	19621119-000	1
12	Gasket, Shroud, Lower	19625119-000	1
13	Gasket, Shroud, Upper	19635119-000	1

D-2: CYLINDER HEAD COVER

ITEM	DESCRIPTION	P/N	Q'TY
1	Bolt	96000-060258-08C	4
2	Asm., Head Cover	12310158-000	1
3	Cover, Cylinder Head	12309158-000	1
4	O-Ring, Head Cover	12391119-000	1

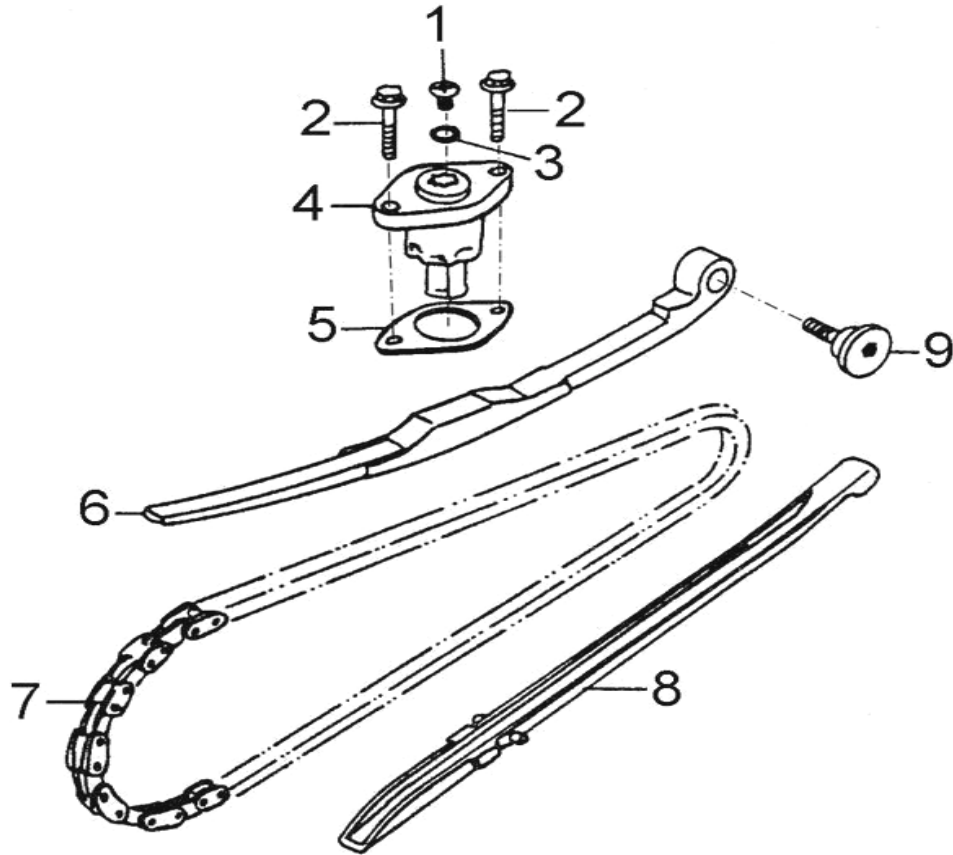


D-3: CYLINDER HEAD/CAM SHAFT



ITEM	DESCRIPTION	P/N	Q'TY
1	Asm., Manifold, Intake	17100179-000	1
2	Nut	94050-06000-00C	2
3	Clamp, Manifold, Intake	14111119-000	1
4	O-Ring	93210-00227	1
5	Plug, Spark	98076119-00A	1
6	Insulator, Manifold	17112119-000	1
7	Gasket, Manifold	17113119-000	1
8	Stud	91001-060728-00C	2
9	Pin, Dowel	94301-10140	4
10	Gasket, Cylinder Head	12251158-000	1
11	Valve, Intake	14711122-000	1
12	Valve, Exhaust	14721122-000	1
13	Head, Cylinder	12201158-000	1
14	O-Ring	93210-00915	2
15	Guide, Valve Intake	12204119-000	1
16	Guide, Valve Exhaust	12206119-000	1
17	Seal, Valve	12209119-000	2
18	Seat, Valve, Spring, Outer	14775119-000	2
19	Spring, Valve, Outer	14751119-000	2
20	Spring, Valve, Inner	14761119-000	2
21	Retainer, Valve, Spring	14771119-000	2
22	Clip, Retainer	14781119-000	4
23	Asm., Cam Shaft	14400122-000	1
24	Bracket, Cam Shaft	12211158-000	1
25	Nut	94050-08000-00C	4
26	Washer	94101-0818023-00U	4
27	Nut, Tappet Adj.	90206-05000-00A	2
28	Screw, Tappet Adj.	90012-06015	2
29	Shaft, Exhaust, Rocker Arm	14453158-000	1
30	Arm, Valve, Rocker	14431119-000	2
31	Asm., Decomp. Release	14456119-000	1
32	Shaft, Intake, Rocker Arm	14452158-000	1
33	Bolt	96000-061008-08C	2
34	Stud	91001-080328-00C	2

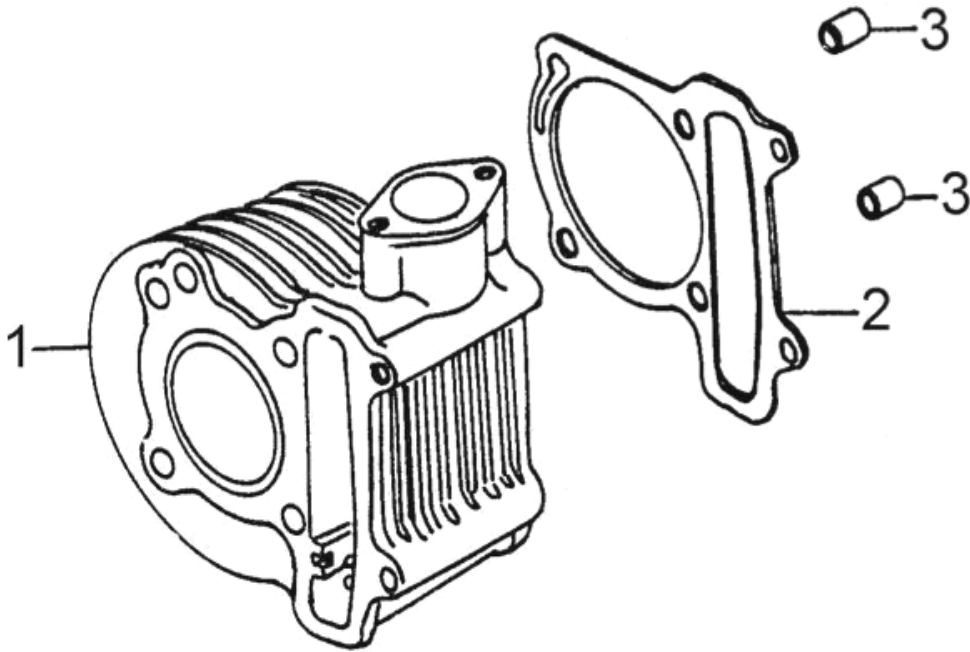
D-4: CHAIN TENSIONER



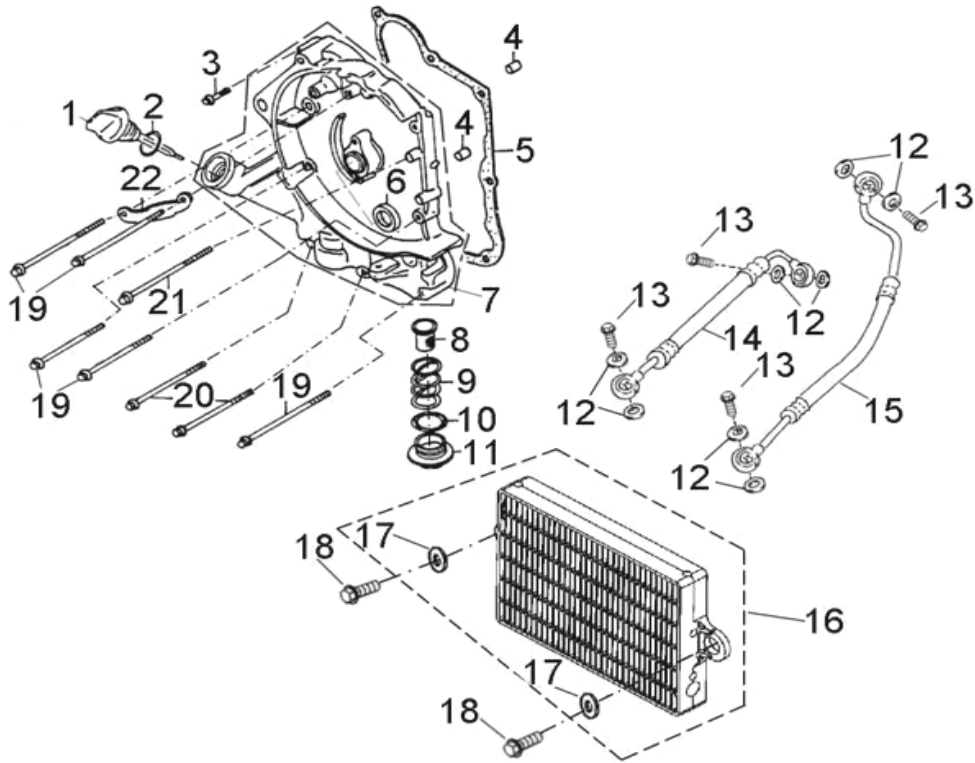
ITEM	DESCRIPTION	P/N	Q'TY
1	Screw	93000-060068-00K	1
2	Bolt	96000-060228-14C	2
3	O-Ring	93210-00915	1
4	Tensioner	14521119-000	1
5	Gasket, Tensioner	14523119-000	1
6	Guide, Cam Chain, RH	14550119-000	1
7	Chain, Cam	14401119-000	1
8	Guide, Cam Chain, LH	14500119-000	1
9	Pivot, Guide	14535119-000	1

D-5: CYLINDER

ITEM	DESCRIPTION	P/N	Q'TY
1	Cylinder	12101158-000	1
2	Gasket, Cylinder	12191158-000	1
3	Pin, Dowel	94301-10140	2



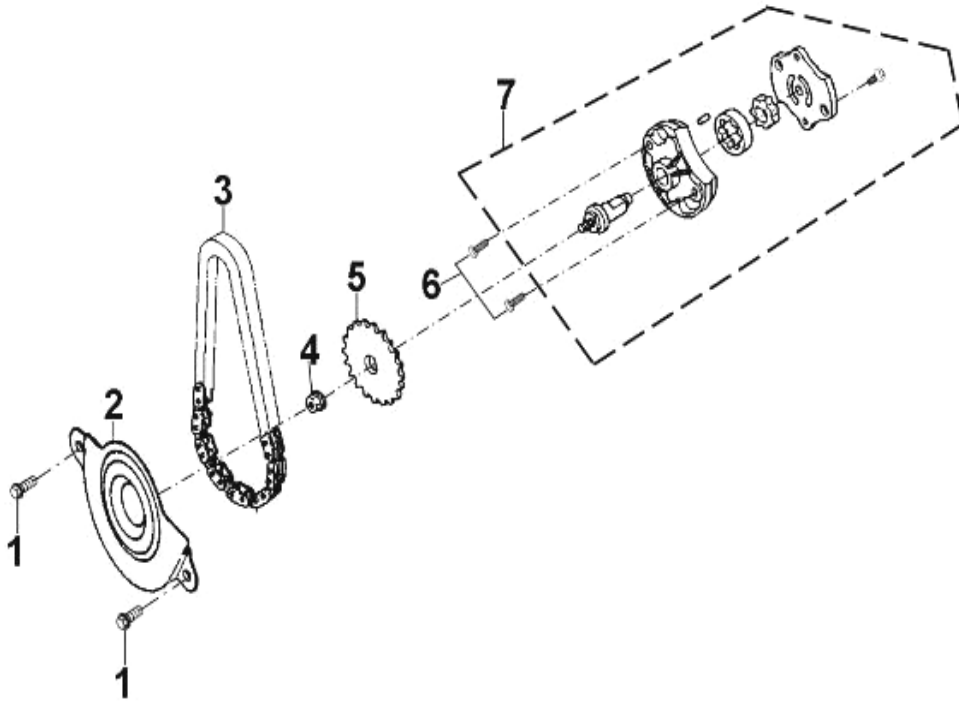
D-6: RIGHT CRANKCASE COVER/RADIATOR



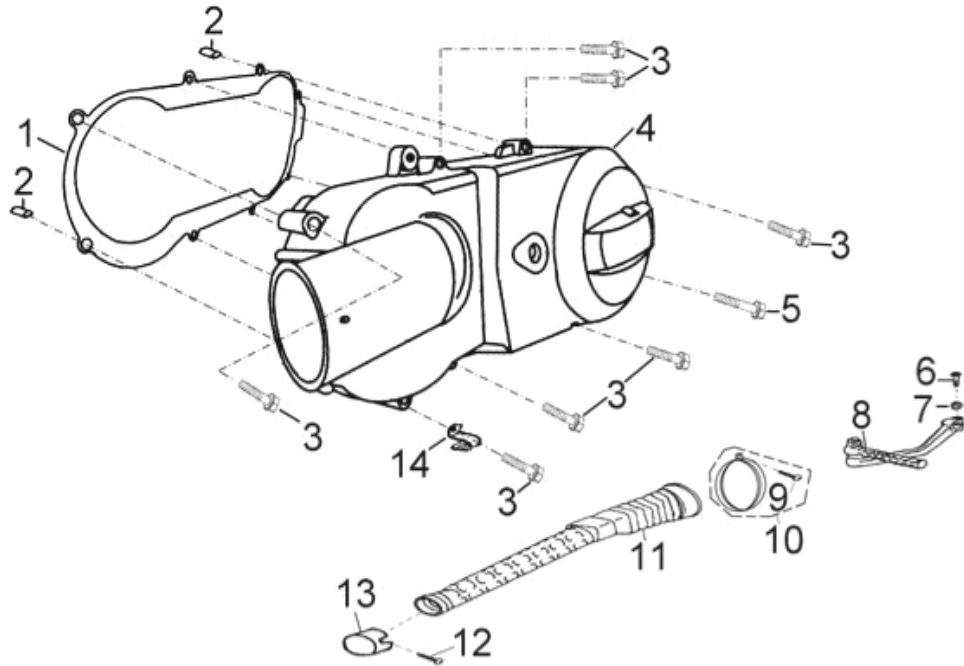
ITEM	DESCRIPTION	P/N	Q'TY
1	Dipstick	15651201-000	1
2	O-Ring	93210-01835	1
3	Bolt	96000-060408-08C	1
4	Pin, Dowel	94301-08140	2
5	Gasket, Crankcase, RH	11393156-000	1
6	Seal, Oil	96501-19300500000	1
7	Cover, Crankcase, RH	11330156-002	1
8	Screen	15421119-000	1
9	Spring, Screen	15426119-000	1
10	O-Ring	93210-03132	1
11	Plug, Drain, Oil	11334119-000	1
12	Washer	94101-1221320-00L	8
13	Bolt, Banjo	45456156-604	4
14	Hose, Inlet	19220158-001	1
15	Hose, Outlet	19230158-001	1
16	Radiator	19215156-001	1
17	Washer, Rubber	19235156-000	2
18	Bolt	92005-060258-00K	2
19	Bolt	96000-060958-08C	5
20	Bolt	96000-061108-08C	2
21	Bolt	96000-061008-08C	1
22	Clamp, Wire, Stator	32961119-000	1

D-7: OIL PUMP ASS'Y

ITEM	DESCRIPTION	P/N	Q'TY
1	Bolt	96000-060128-08C	2
2	Cover, Oil Pump	15711119-000	1
3	Chain, Oil Pump	15141119-000	1
4	Nut	94050-06000-00C	1
5	Sprocket, Oil Pump	15150119-000	1
6	Screw	93902-060308-00B	2
7	Asm., Pump, Oil	15100158-000	1

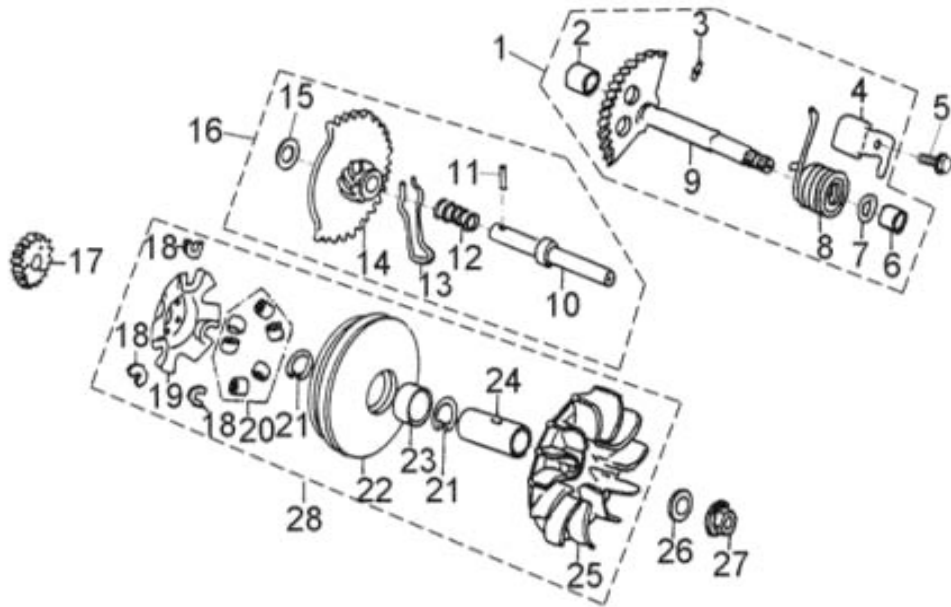


D-8: LEFT CRANKCASE COVER



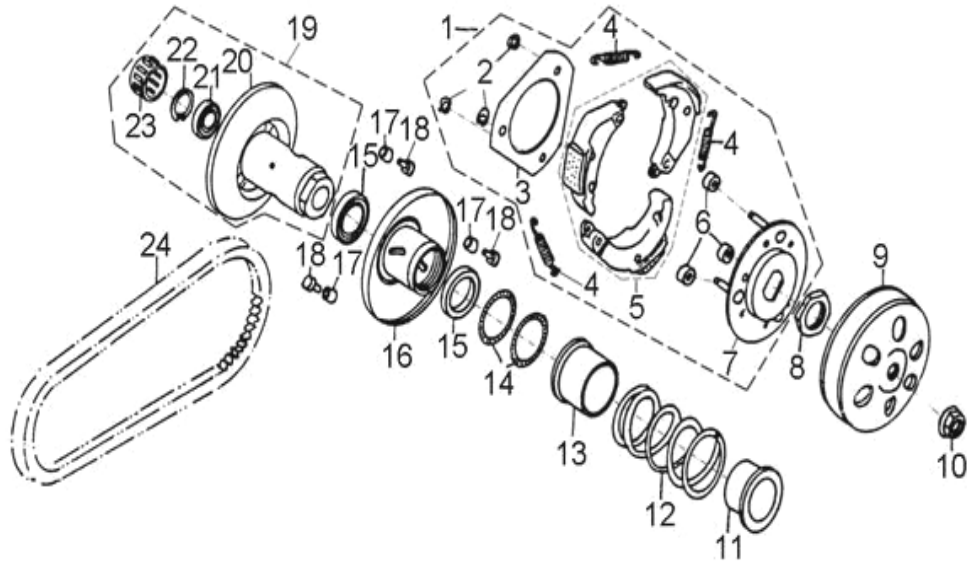
ITEM	DESCRIPTION	P/N	Q'TY
1	Gasket	11359119-000	1
2	Pin, Dowel	94301-08140	2
3	Bolt	96000-060408-08C	7
4	Cover, Clutch	11341156-001	1
5	Bolt	96000-061008-08C	1
6	Bolt	96000-060258-00K	1
7	Washer, Spring	94111-0611020-00K	1
8	Asm., Kick Start	28300156-000	1
9	Bolt	93500-040258-00K	1
10	Clamp	89669-119-001	1
11	Duct, Inlet	11345179-000	1
12	Screw	93903-1040168-00K	1
13	Cap	11349156-000	1
14	Hook, Hose	11351119-000	1

D-9: DRIVE CLUTCH/STARTER



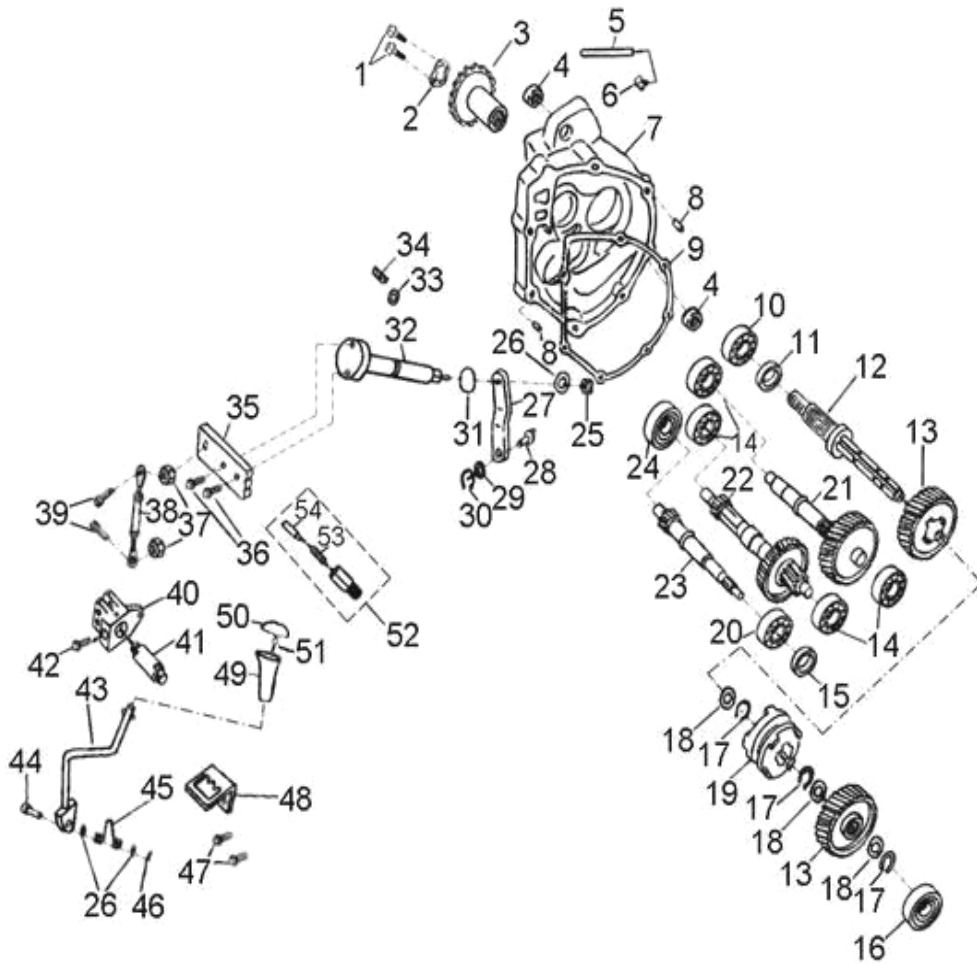
ITEM	DESCRIPTION	P/N	Q'TY
1	Asm., Shaft, Starter	28251119-000	1
2	Bushing	96401-121612	1
3	Rollor	96220-30085	1
4	Arresting	28252119-000	1
5	Bolt	96000-060128-08C	1
6	Bushing	96401-141816	1
7	Washer	94101-1422012-00K	1
8	Recoil, Kick Start	28281119-000	1
9	Asm., Shaft, Kick Start	28250119-000	1
10	Idler Shaft, Starter	28241119-000	1
11	Pin	28282119-000	1
12	Spring	28242119-000	1
13	Spring, Kick Start Gear	28223119-000	1
14	Gear, Kick Start, Driven	28230119-000	1
15	Washer	94101-1225023-000	1
16	Asm., Idle Gear, Starter	28231119-000	1
17	Bushing, Kick Start	28211119-000	1
18	Bushing, Slider	22132156-000	3
19	Plate, Sheave	22131158-000	1
20	Roller	22121158-000	6
21	Clip, Cir	94512-2800R	2
22	Sheave	22110156-000	1
23	Bushing	96401-242830	1
24	Bushing	96401-172451	1
25	Sheave, moveable	22102156-000	1
26	Washer	94101-1225023-000	1
27	Nut	94050-12000-00C	1
28	Asm., Drive Clutch	22103160-000	1

D-10: DRIVEN CLUTCH



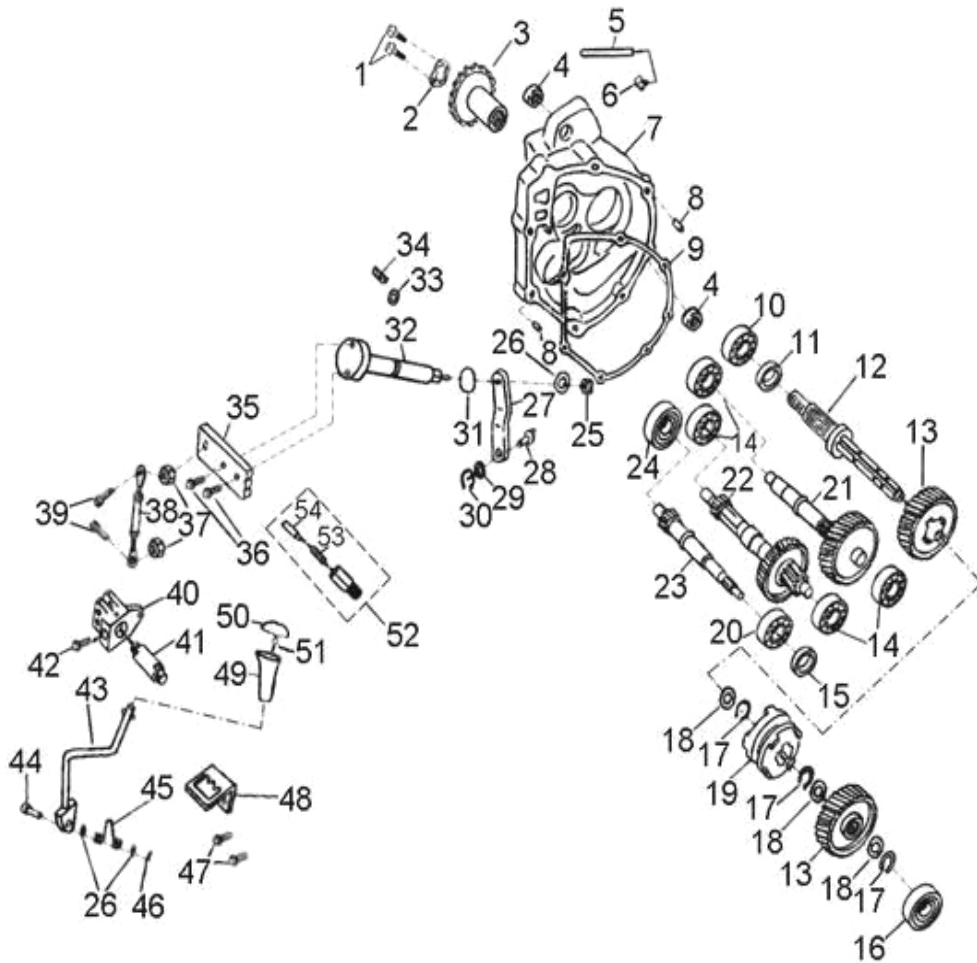
ITEM	DESCRIPTION	P/N	Q'TY
1	Asm., Drive Clutch	22001156-000	1
2	Clip, Cir	94511-0700E	3
3	Plate, Drive, Side	22351119-000	1
4	Spring, Clutch	22401119-000	3
5	Weight, Clutch	22535156-000	3
6	Bushing, Rubber	22804119-000	3
7	Plate, Drive, Inner	22350119-000	1
8	Nut	90202-28000-00C	1
9	Clutch, Outer	22100119-000	1
10	Nut	94050-12000-00C	1
11	Seal, Collor	23238119-000	1
12	Spring, Clutch	23233158-000	1
13	Seal, Collor	23237119-000	1
14	O-Ring	93210-03920	2
15	Seal, Oil	96500-34410400000	2
16	Sheave, Moveable	23220119-000	1
17	Roller, Guide	23226119-000	3
18	Pin, Guide	23225119-000	3
19	Asm., Sheave, Driven	23200119-000	1
20	Sheave, Driven	23210119-000	1
21	Bearing, Ball	96100-69020-U0000	1
22	Clip, Cir	94512-280IR	1
23	Bearing, Needle	96200-202918	1
24	Belt, Driven	23100122-000	1

D-11: TRANSMISSION LEVER



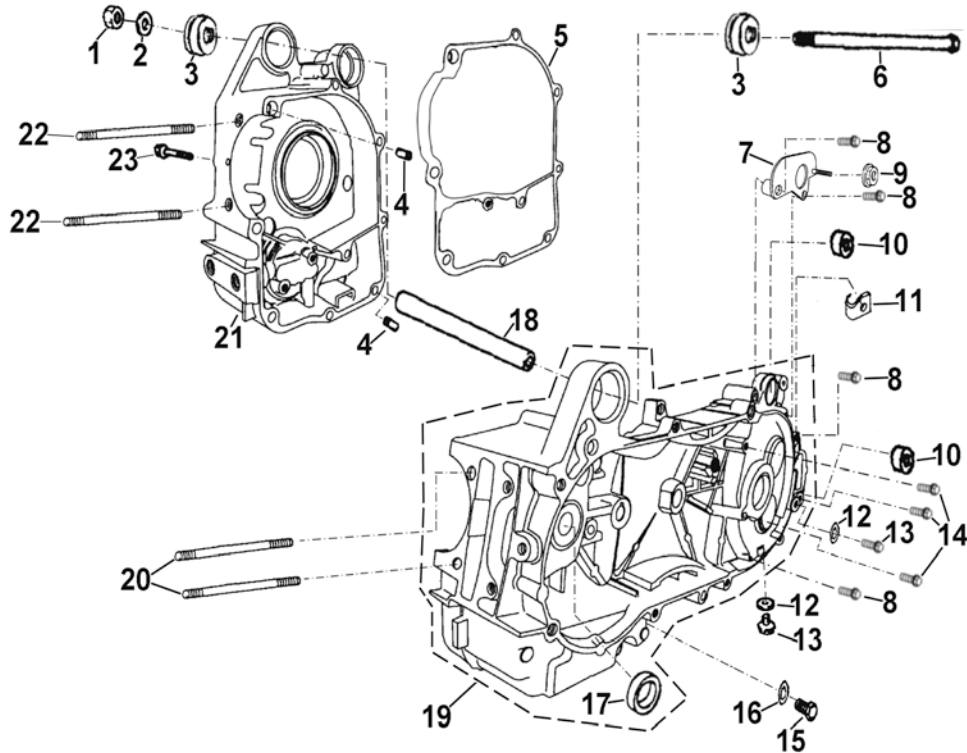
ITEM	DESCRIPTION	P/N	Q'TY
1	Bolt	92000-060108-00C	2
2	Bracket, Sprocket	23811201-000	1
3	Sprocket, Drive	23801159-001	1
4	Bushing, Rubber	96400-082223	2
5	Hose	94408-05007-170	1
6	Breather, Crankcase, Lower	11610113-000	1
7	Cover, Transmission	21301158-002	1
8	Pin, Dowel	94301-08140	2
9	Gasket, Transmission Cover	21395156-000	1
10	Bearing, Ball	96100-60050-U0000	1
11	Seal, Oil	96500-304707A7271	1
12	Shaft	23431156-002	1
13	Gear, Shift	23434201-000	2
14	Bearing, Ball	96100-62020-00000	4
15	Seal, Oil	96500-203206T3034	1
16	Bearing, Ball	96100-62030-00000	1
17	Retainer	23436201-000	3
18	Washer, Spline	23435201-000	3
19	Ratchet, Shift	22430201-000	1
20	Bearing, Ball	96100-62040-JR2C3	1
21	Asm., Idler Shaft	23433156-000	1
22	Asm., Reverse Shaft	23420156-000	1
23	Shaft, Drive	23411119-000	1
24	Bearing, Ball	96100-TMB30-10000	1
25	Nut	90350-08000-0UK	1
26	Washer	94101-0816015-00C	3
27	Fork, Shift Gear	21312156-000	1
28	Pin, Shift Gear	21311156-000	1
29	Washer	23437156-000	1
30	Retainer	23438156-000	1
31	O-Ring	93210-01425	1
32	Bracket, Shift	21313156-000	1
33	Washer	94101-0510010-00B	1
34	Bolt	91000-050098-00K	1
35	Fork, Shift	21314156-000	1
36	Bolt	96000-060128-10C	2
37	Nut	90350-06000-00K	2
38	Rod End	21316201-000	1
39	Bolt	91000-060258-00K	2
40	Lever, Shift	21317156-000	1

D-11: TRANSMISSION LEVER



ITEM	DESCRIPTION	P/N	Q'TY
41	Bracket, Shift Lever	21318156-000	1
42	Bolt	96000-060258-00K	1
43	Lever, Shift	21319201-000	1
44	Pin, Lever, Shift	21321156-000	1
45	Spring, Shift	21320201-000	1
46	Pin, Cotter	94201-25190	1
47	Bolt	96000-060128-10K	2
48	Gate, Shift	21323156-000	1
49	Knob, Transmission Lever	21328158-000	1
50	Cover	21327158-000	1
51	Bolt	96000-060168-00K	1
52	Asm., Positioner	21315156-000	1
53	Spring	21325156-000	1
54	Pin	21324156-000	1

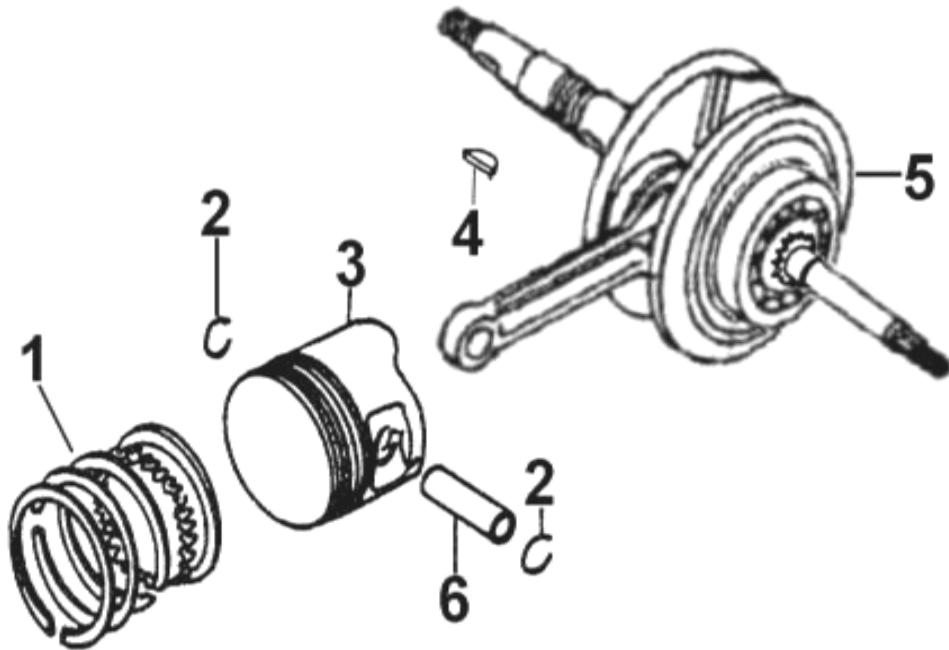
D-12: CRANKCASE



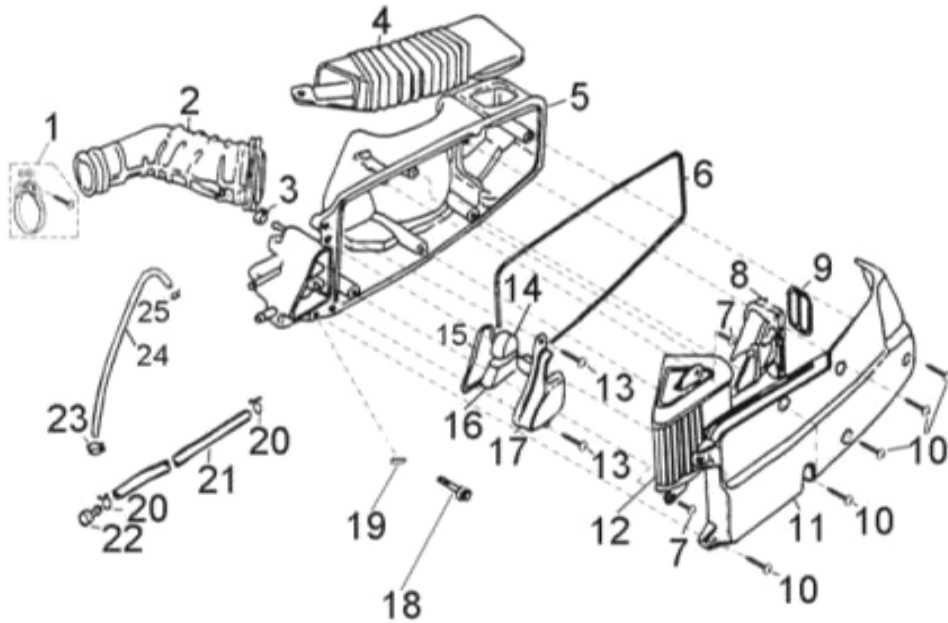
ITEM	DESCRIPTION	P/N	Q'TY
1	Nut	90350-10000-00C	1
2	Washer	94101-1022020-00C	1
3	Bushing, Rubber	96400-102822	2
4	Pin, Dowel	94301-08140	2
5	Gasket	11191122-000	1
6	Bolt	96000-101978-14C	1
7	Bracket, Air Cleaner	17237201-000	1
8	Bolt	96000-060608-08C	4
9	Nut	94050-06000-00K	1
10	Bushing, Rubber	96400-082223	2
11	Bracket, Carburator Tube	11351111-000	1
12	Washer	94101-0816020-00L	2
13	Bolt	96000-080128-10C	2
14	Bolt	96000-060708-08C	3
15	Bolt	96000-120158-14C	1
16	Washer	94101-1221320-00L	1
17	Seal, Oil	96501-19300500000	1
18	Spacer, Collar	11150156-001	1
19	Crankcase, LH	11201158-003	1
20	Stud	91001-081878-00C	2
21	Crankcase, RH	11101158-000	1
22	Stud	91001-081818-00C	2
23	Bolt	96000-060508-00C	1

D-13: CRANKSHAFT

ITEM	DESCRIPTION	P/N	Q'TY
1	Ring Set, Piston	13011158-000	1
2	Clip, Piston Pin	13115119-000	2
3	Piston	13100158-000	1
4	Key, Woodruff	90471-04014	1
5	Asm., Crankshaft	13020202-000	1
6	Pin, Piston	13111158-000	1

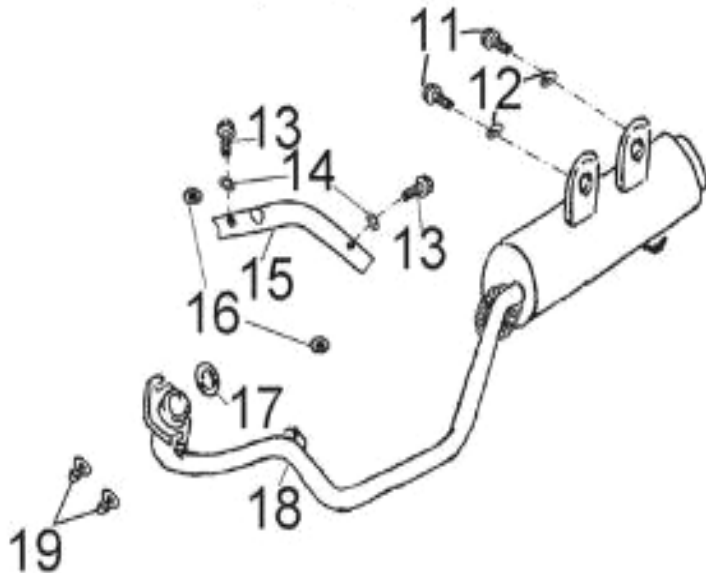
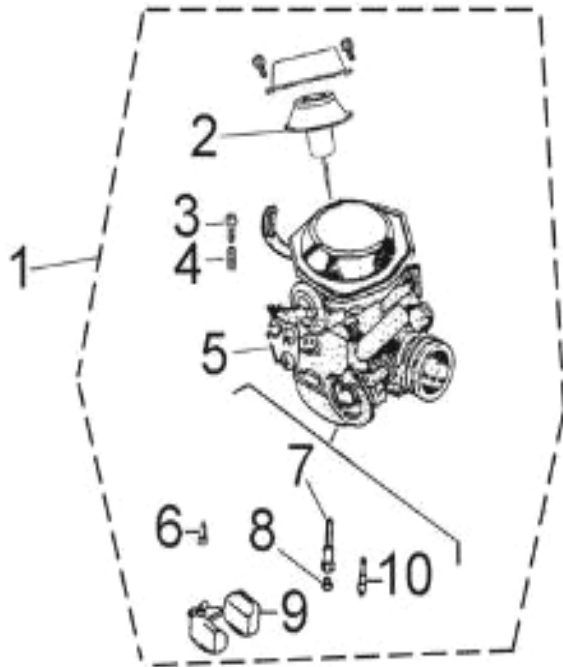


D-14: AIR CLEANER



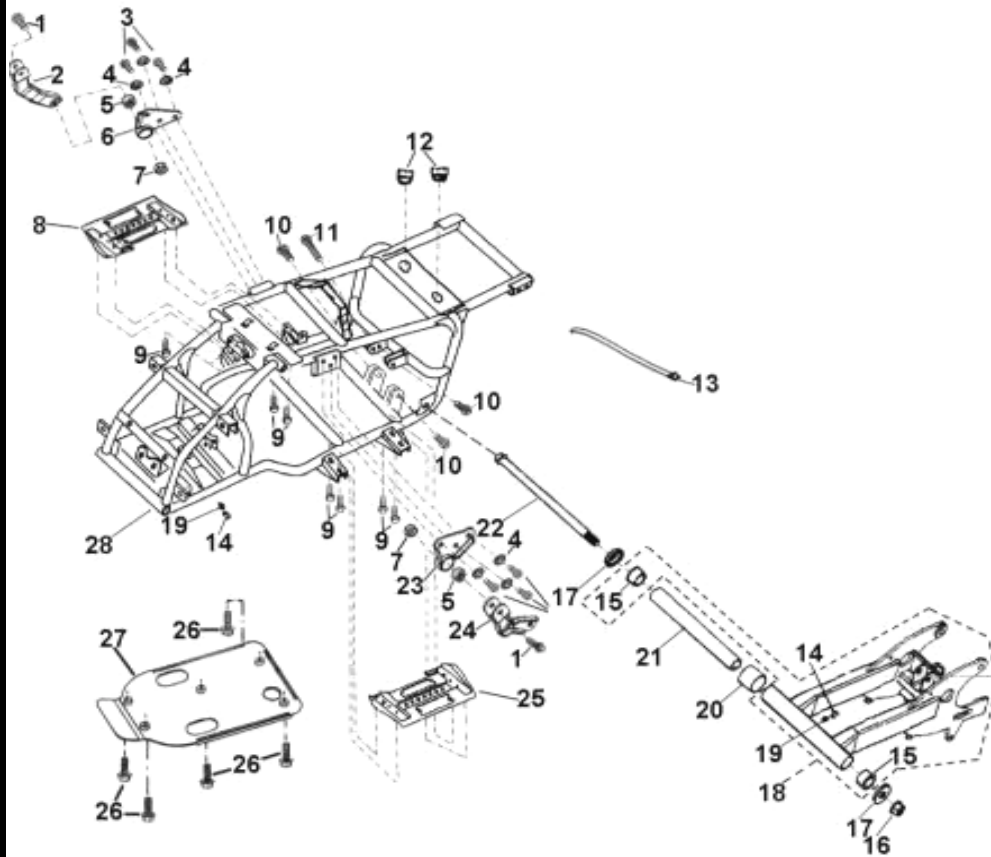
ITEM	DESCRIPTION	P/N	Q'TY
1	Clamp, Hose	17102119-000	1
2	Boot	17253201-000	1
3	Clamp	94509-09000	1
4	Inlet, Air Box	17257119-000	1
5	Box, Air Cleaner	17206119-000	1
6	Gasket, Cover	17213119-000	1
7	Bolt	93500-050108-00K	2
8	Duct, Inlet	17255119-000	1
9	Spring	17258119-000	1
10	Screw	93903-2050208-00K	7
11	Cover, Air Cleaner	17207119-000	1
12	Filter, Air Cleaner	17205119-000	1
13	Screw	93903-1040128-00K	2
14	Element, Air Cleaner	17234119-000	1
15	Seal	17212119-000	1
16	Filter, Inlet, Separator	17235119-000	1
17	Cover, Separator	17232119-000	1
18	Bolt	96000-060328-16C	1
19	Rubber	81113153-000	1
20	Clamp	94510-12000	2
21	Hose, Drain	94404-08012-000	1
22	Plug, Trap	17370119-000	1
23	Clamp	94509-08500	1
24	Hose	11211119-000	1
25	Clamp	94510-08000	1

D-15: EXHAUST PIPE/CARBURETOR



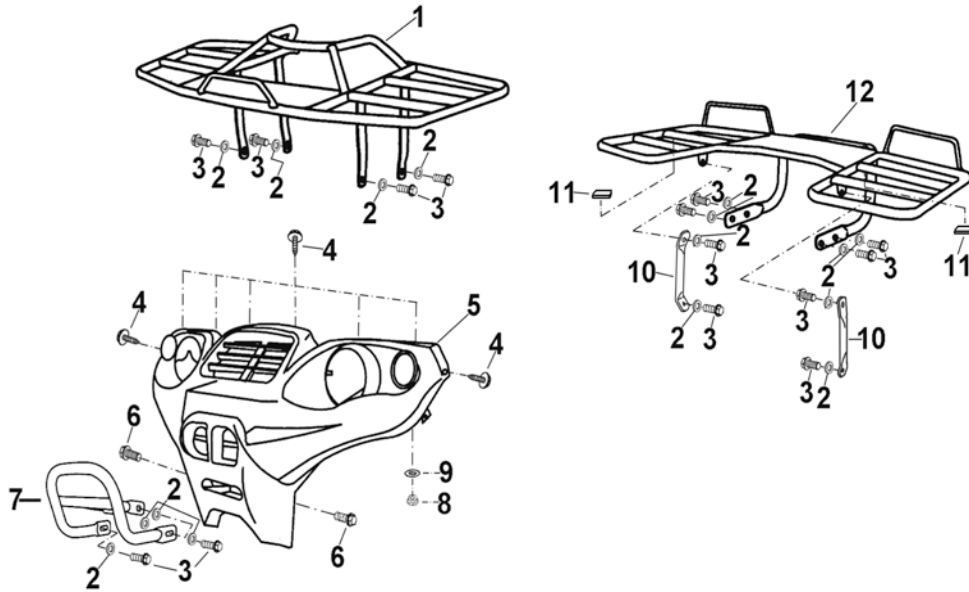
ITEM	DESCRIPTION	P/N	Q'TY
1	Asm., Carburetor	16100203-000	1
2	Throttle Valve, Diaphragm	16050202-000	1
3	Screw, Idle	16171201-000	1
4	Spring	16172201-000	1
5	Bracket, Throttle Cable	16120119-000	1
6	Valve, Float	16117201-000	1
7	Valve, Needle	16105182-000	1
8	Jet, Main	16108211-000	1
9	Float	16118182-000	1
10	Jet, Pilot	16110182-000	1
11	Bolt	96000-080168-0KL	2
12	Washer	94101-0822020-00C	2
13	Bolt	96000-060108-00B	2
14	Gasket	94102-0613010-000	2
15	Shield, Silencer	18315156-000	1
16	Gasket	94102-0817020-000	2
17	Gasket	18291119-000	1
18	Pipe, Exhaust	18301186-000	1
19	Nut	90301-08000-00C	2

D-16: FRAME BODY



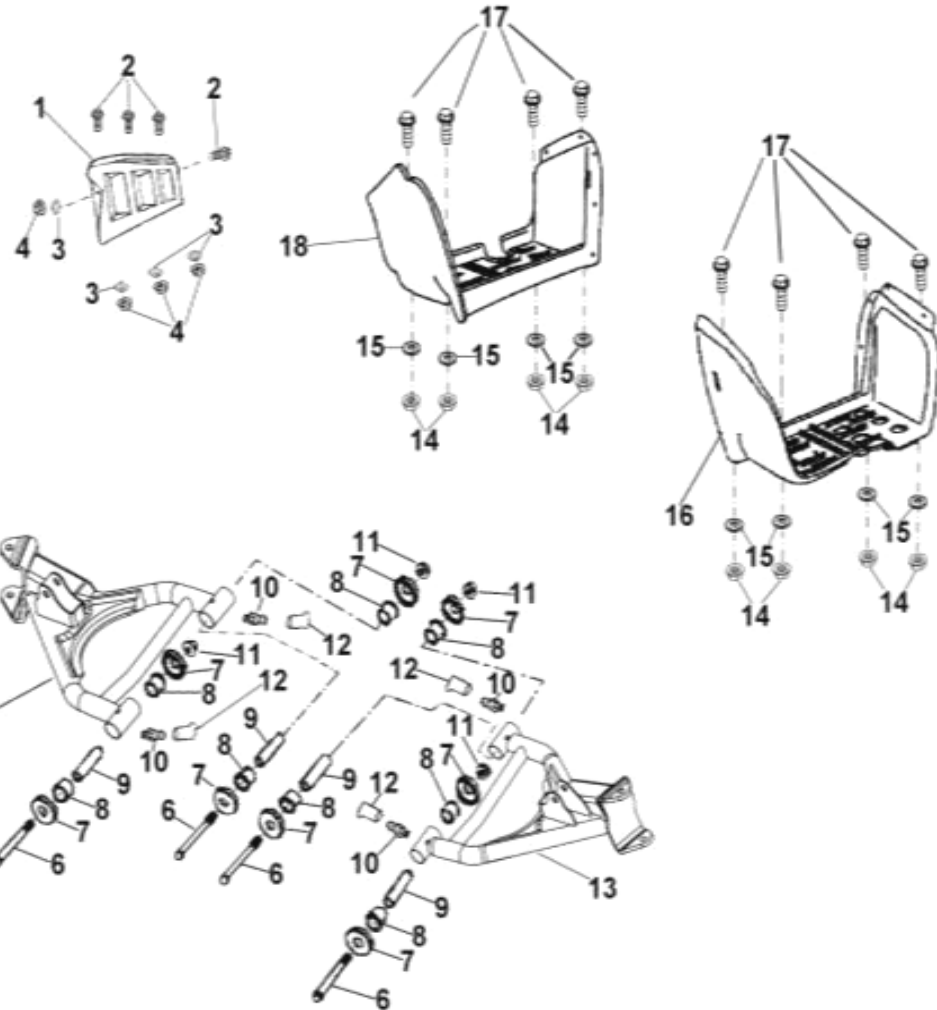
ITEM	DESCRIPTION	P/N	Q'TY
1	Bolt	96000-100438-0KL	2
2	Bracket, Engine Mount, RH	50351202-000	1
3	Bolt	96000-100208-0KL	6
4	Washer, Spring	94111-1001502-00K	6
5	Bushing, Rubber	96400-102822	2
6	Bracket, Engine, RH	50372201-000	1
7	Nut	90350-10000-0UC	2
8	Bracket, Footwell, RH	51105156-000	1
9	Bolt	96000-080128-00K	8
10	Bolt	96000-080408-00K	3
11	Bolt	96000-081258-00K	1
12	Rubber, Seat	77220131-000	2
13	Strap	89569131-000	21
14	Cap, Valve, Grease	51301131-000	2
15	Seat, Grease Contain	52524131-000	2
16	Nut	90350-14000-0UC	1
17	Cover, Swing Arm Seal	52422131-000	2
18	Arm, Swing	52410182-A03	1
19	Valve, Grease	51300131-000	2
20	Sleeve, Rubber	52423156-000	1
21	Tube, Spacer	52420131-000	1
22	Bolt	96000-142908-00C	1
23	Bracket, Engine Mount, LH	50371201-000	1
24	Bracket, Engine Mount, RH	50355202-000	1
25	Bracket, Footwell, LH	51120156-000	1
26	Bolt	92005-060168-00K	5
27	Shield, Chassis	50106158-000	1
28	Asm., Frame	50100182-A01	1

D-17: BUMPER/RACK



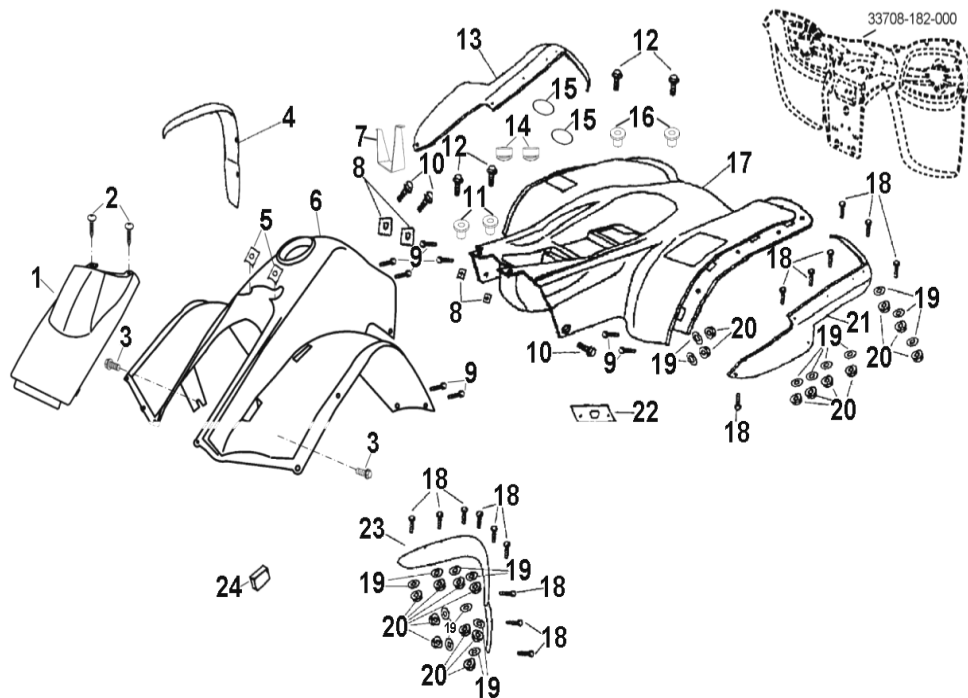
ITEM	DESCRIPTION	P/N	Q'TY
1	Bracket, Front Rack	50495182-A00	1
2	Washer	94121-0816010-00K	16
3	Bolt	96000-080168-0KL	14
4	Bolt	93100-050168-00K	8
5	Cover, Headlight	50460182-000	1
6	Bolt	92003-060168-00K	2
7	Bumper	50455182-A00	1
8	Nut	90350-05000-00K	8
9	Washer	94101-0514010-00K	8
10	Bracket, RH	81121182-A00	2
11	Rubber	81113153-000	2
12	Bracket, Rear Rack	81111182-A00	1
13	Bolt	96000-080208-0KL	2

D-18: SWING ARM/FOOTREST



ITEM	DESCRIPTION	P/N	Q'TY
1	Shield, Heat	50480156-000	1
2	Bolt	93100-050168-00K	4
3	Washer	94101-0514010-00K	4
4	Nut	90350-05000-00K	4
5	Arm, Suspension, Silver, RH	53030202-00A	1
6	Bolt	96000-100758-0KL	4
7	Cap, Rubber	52426156-000	8
8	Bushing	53135203-000	8
9	Spacer	53140156-000	4
10	Valve, Grease	51300131-000	4
11	Nut	94050-10000-00C	4
12	Cap, Valve, Grease	51301131-000	4
13	Arm, Suspension, Silver, LH	53130202-00A	1
14	Nut	90350-06000-00K	8
15	Washer	94101-0613010-00K	8
16	Footwell, LH	64310156-001	1
17	Bolt	92005-060168-00K	8
18	Footwell, RH	64300156-000	1

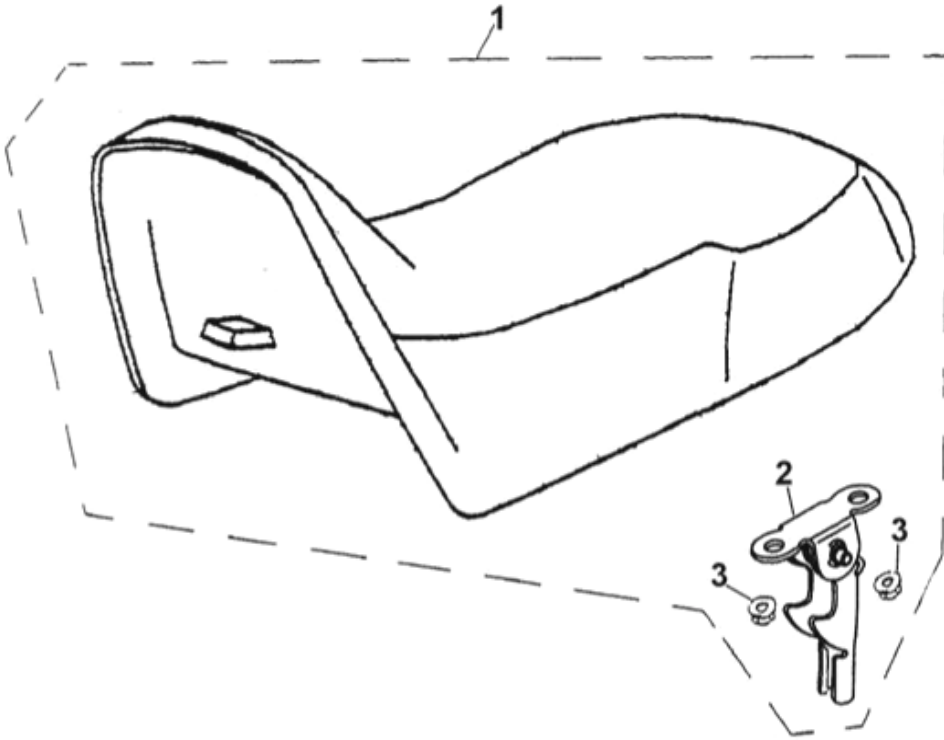
D-19: FENDER



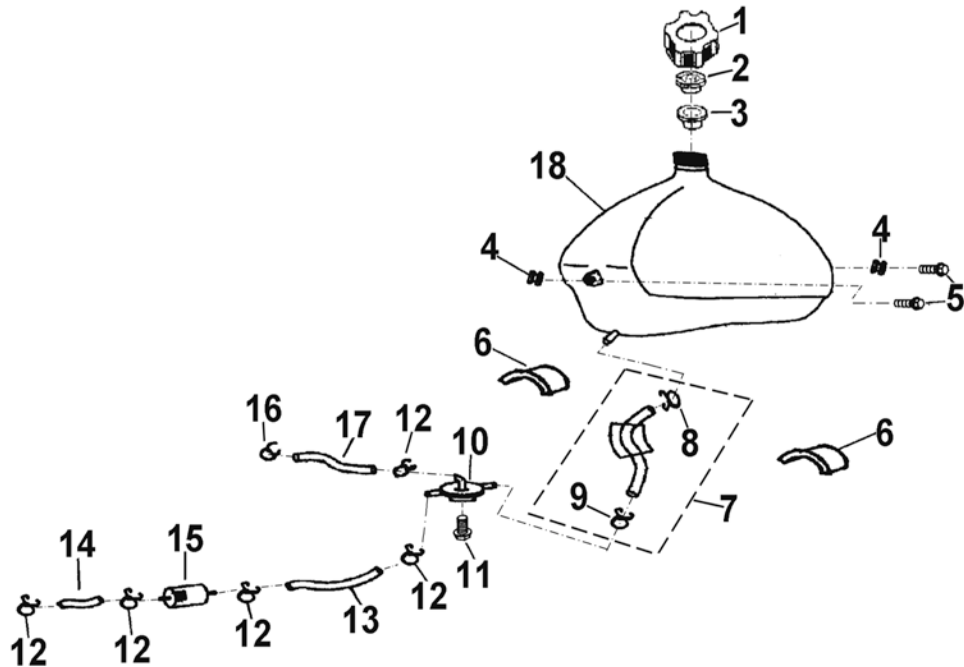
ITEM	DESCRIPTION	P/N	Q'TY
1	Cover, Front Fender (red)	61300182-485	1
1	Cover, Front Fender (green)	61300182-617	1
2	Screw	93903-1040128-00K	2
3	Bolt	92003-060168-00K	2
4	Mudflap, Front, RH	61105182-000	1
5	U-Nut	90345-04000-02T	2
6	Cab, Front (red)	61100182-485	1
6	Cab, Front (green)	61100182-617	1
7	Bracket, Battery	31521201-000	1
8	Nut, U-Plate	90344-06000-00C	4
9	Bolt	93100-050128-00K	8
10	Bolt	93800-060168-00K	4
11	Washer	94150-0717050-00K	2
12	Bolt	92005-060168-00K	4
13	Mudflap, Rear, RH	61005182-000	1
14	Rubber, Battery	31510201-000	2
15	O-Ring	93210-04635	2
16	Washer	94150-0717075-00K	2
17	Cab, Rear (red)	61000182-485	1
17	Cab, Rear (green)	61000182-617	1
18	Bolt	93100-050168-00K	32
19	Washer	94101-0514010-00K	40
20	Nut	90350-05000-00K	40
21	Mudflap, Rear, LH	61010182-000	1
22	Decal, Isolation	80140131-000	1
23	Mudflap, Front, LH	61110182-000	1
24	Rubber	81113153-000	1

D-20: SEAT

ITEM	DESCRIPTION	P/N	Q'TY
1	Seat	77200182-000	1
2	Hook, Seat	77210131-000	1
3	Nut	94050-06000-00C	2



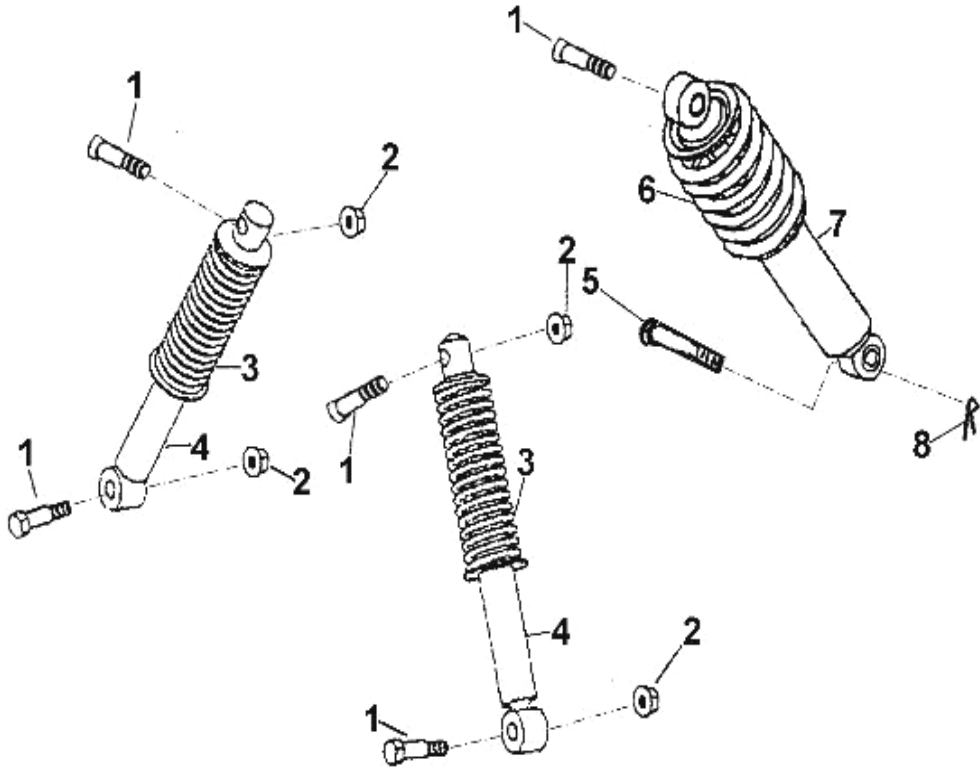
D-21: FUEL TANK



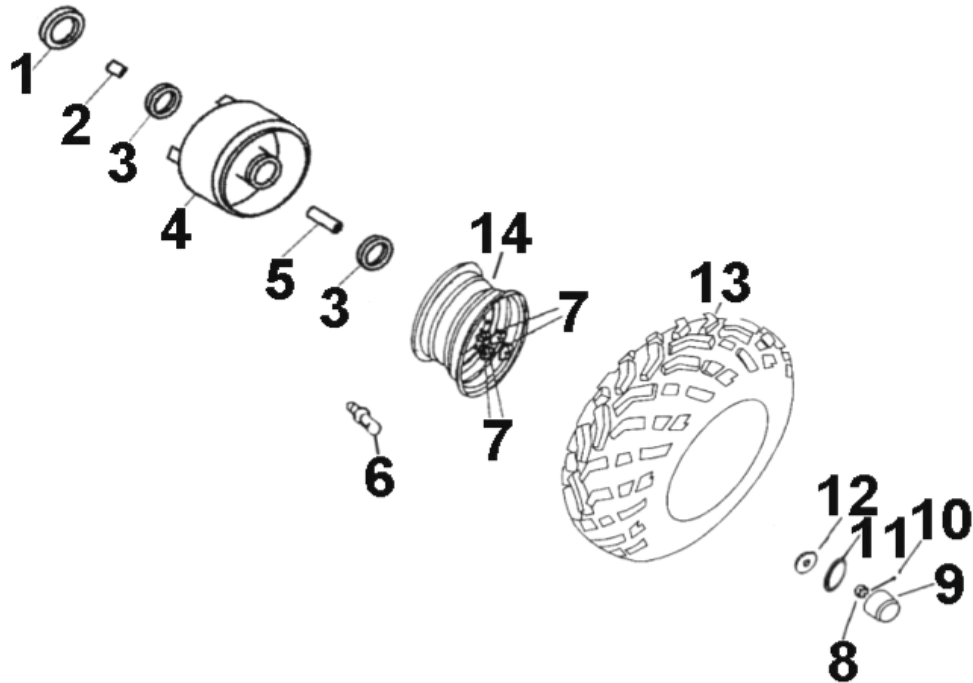
ITEM	DESCRIPTION	P/N	Q'TY
1	Cap, Fuel	17623156-000	1
2	Vent, Fuel Cap	17621156-000	1
3	Diaphragm, Fuel Cap	17625131-000	1
4	Cap	83574131-000	2
5	Bolt	92005-060168-00K	2
6	Rubber, Fuel Tank	64319131-000	2
7	Hose, Fuel	94401-05009-001	1
8	Clamp	94510-12000	1
9	Clamp	94510-08000	1
10	Valve, Fuel	17950111-000	1
11	Bolt	96000-060168-00K	1
12	Clamp	94510-08000	5
13	Hose, Fuel	94401-05009-050	1
14	Hose, Fuel	94401-05009-150	1
15	Filter, Fuel	17952111-000	1
16	Clip	94510-06000	1
17	Tube, Oil	94403-04008-300	1
18	Tank, Fuel	17500156-000	1

D-22: SUSPENSION

ITEM	DESCRIPTION	P/N	Q'TY
1	Bolt	96000-100408-0KL	5
2	Nut	94050-10000-00C	4
3	Spring, Suspension, Front	51101156-00B	2
4	Tube, Inner, Suspension, Front	51102156-00B	2
5	Shaft, Suspension, Rear	52415156-000	1
6	Spring, Suspension, Rear	52401156-001	1
7	Shock, Rear	52402156-000	1
8	Pin, Cotter	94201-25190	1



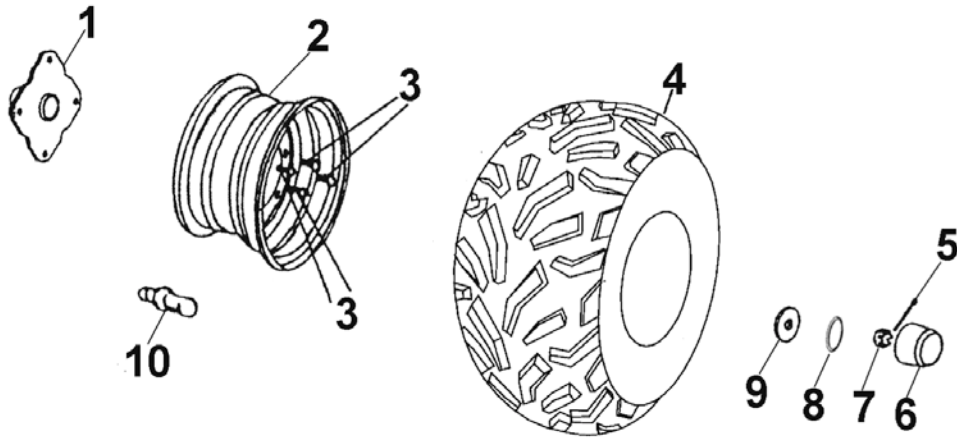
D-23: FRONT WHEEL



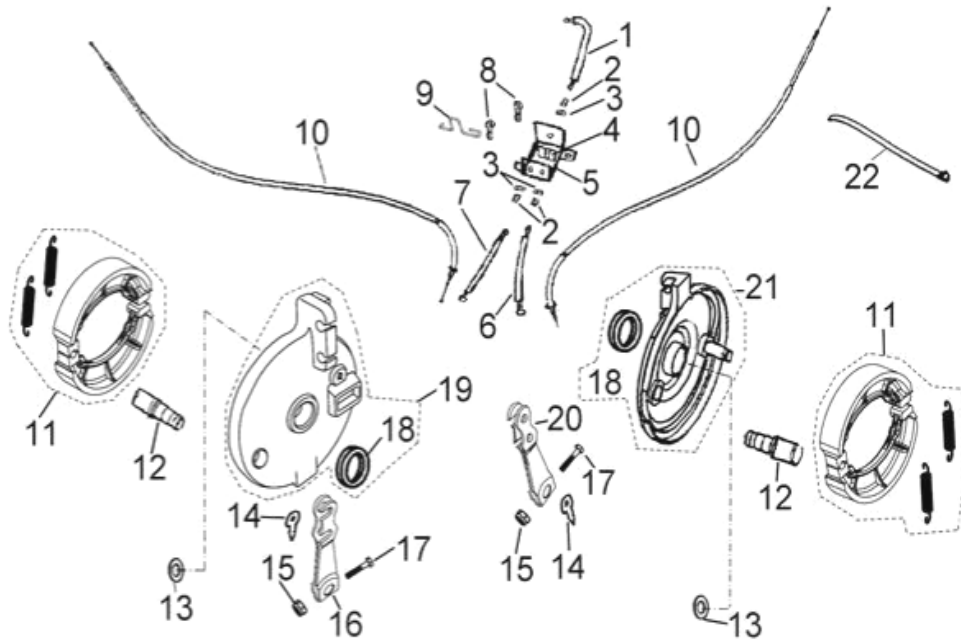
ITEM	DESCRIPTION	P/N	Q'TY
1	Seal, Oil	96500-233506A7271	2
2	Spacer	44312156-000	2
3	Bearing, Ball	96100-60030-ZZ000	4
4	Drum, Brake, Front	45008156-000	2
5	Spacer	44311156-000	2
6	Valve, Rim	42616131-000	2
7	Nut	90350-10000-0UC	8
8	Nut	90353-14000-00C	2
9	Cap, Hub	42730151-000	2
10	Pin, Cotter	94201-32320	2
11	Washer	94121-1426016-000	2
12	Washer	94101-1443030-00C	2
13	Tire	42711209-000	2
14	Rim, Front	42701182-000	2

D-24: REAR WHEEL

ITEM	DESCRIPTION	P/N	Q'TY
1	Hub, Wheel	42010202-000	2
2	Rim, Rear	42801182-000	2
3	Nut	90350-10000-0UC	8
4	Tire	42811208-000	2
5	Washer	94101-1443030-00C	2
6	Washer	94121-1426016-000	2
7	Pin, Cotter	94201-32320	2
8	Cap, Hub	42730151-000	2
9	Nut	90352-14000-00C	2
10	Valve, Rim	42616131-000	2

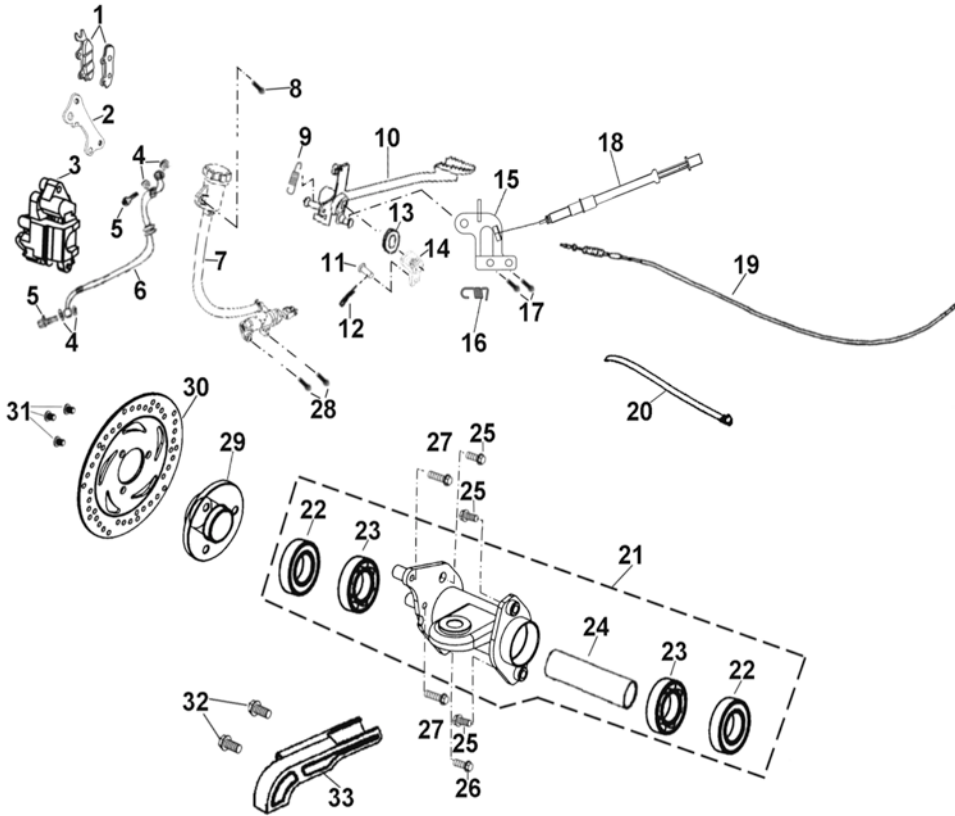


D-25: FRONT BRAKE



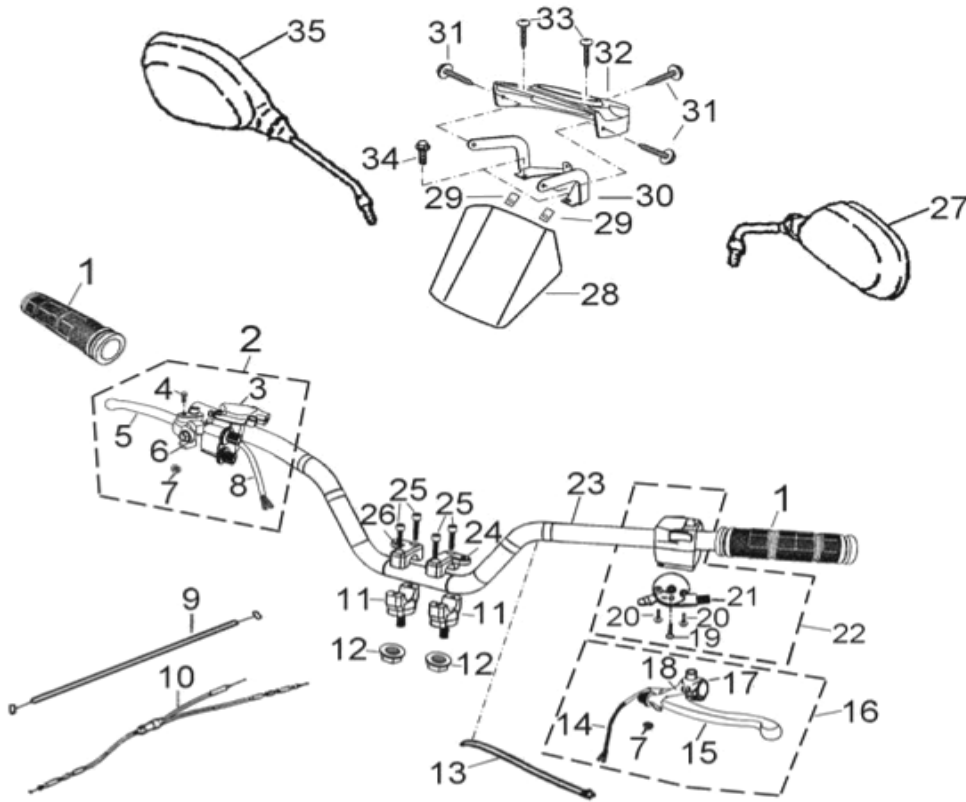
ITEM	DESCRIPTION	P/N	Q'TY
1	Asm., Cable, Brake Pedal	45454203-000	1
2	Bolt, Insert	45421133-000	3
3	Nut	90353-08000-00G	3
4	Arm, Swing	43452133-001	1
5	Bracket, Pedal	43453133-001	1
6	Cable, Pedal, LH	45457203-000	1
7	Cable, Pedal, RH	45455203-000	1
8	Bolt	93902-060088-00B	2
9	Pin	94205-02052	1
10	Cable, Front Brake	45450204-000	2
11	Shoe, brake, Rear	43120111-00C	2
12	Shaft, Cam, Front Brake	45141156-000	2
13	Washer	94101-1722010-00K	2
14	Indicator, Brake	45142156-000	2
15	Nut	94001-06000-00C	2
16	Arm, Front Brake, RH	45409159-000	1
17	Bolt	92000-060308-00B	2
18	Seal, Oil	96500-4052060	2
19	Plate, Front Brake, Rh	45020156-001	1
20	Arm, Front Brake, LH	45410159-000	1
21	Plate, Front Brake, LH	45010156-000	1
22	Strap	89769111-000	1

D-26: REAR BRAKE



ITEM	DESCRIPTION	P/N	Q'TY
1	Pads, Brake	45120182-000	1
2	Bracket, Pads	43510201-000	1
3	Asm., Caliper, Rear	45000182-000	1
4	Washer	94101-1015012-U0B	4
5	Bolt, Banjo	45456111-000	2
6	Hose, Brake	45450182-000	1
7	Asm., Master Cylinder	43500182-000	1
8	Bolt	96000-060128-10K	1
9	Spring	43421201-000	1
10	Lever, Brake, Foot	43456204-000	1
11	Pin	94302-07018	1
12	Cotter Pin	94203-12200	1
13	Washer	94121-1221005-000	1
14	Arm, Master Cylinder	43457201-000	1
15	Bracket, Rear Cable	50357202-000	1
16	Spring, Switch	43421202-000	1
17	Bolt	92001-080148-0KL	2
18	Switch, Brake	34916201-000	1
19	Cable, Hand Brake, Rear	43450182-000	1
20	Strap	89768151-000	1
21	Asm., Housing, Rear Axle	42803206-A00	1
22	Seal, Oil	96500-426208A7271	2
23	Bearing, Ball	96100-60070-ZZ000	2
24	Tube, Spacer	42810156-001	1
25	Bolt	96008-120328-0CL	3
26	Bolt	96008-120288-0CL	1
27	Bolt	96000-080388-0KL	2
28	Bolt	92001-080208-0KL	2
29	Hub, Disc	43490182-000	1
30	Disc, Brake	45010182-000	1
31	Bolt	45016131-00K	3
32	Bolt	96000-080128-00K	2
33	Cover, Rear	40550156-A00	1

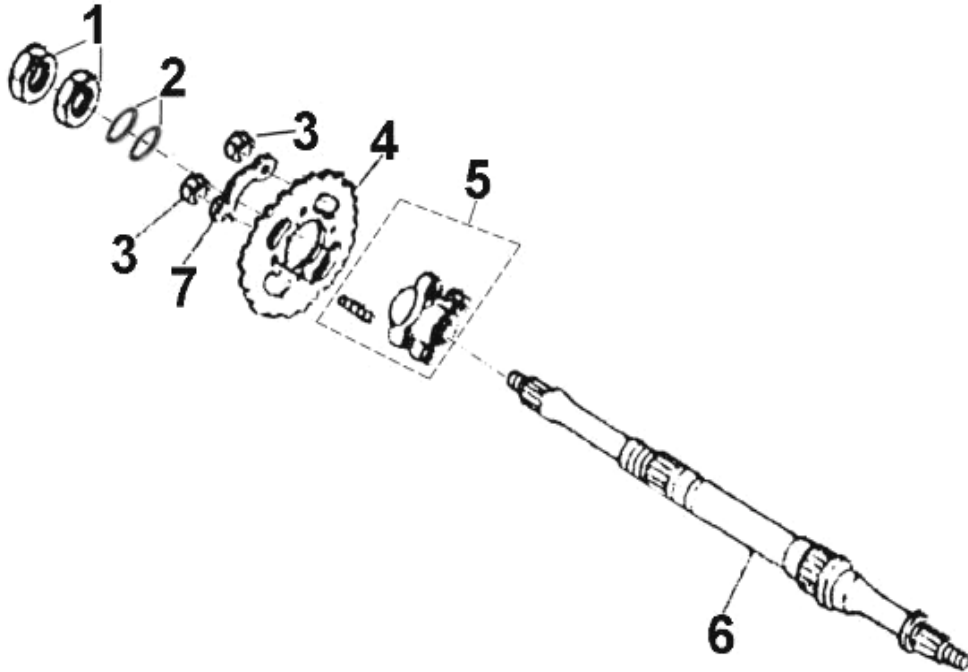
D-27: HANDLEBAR



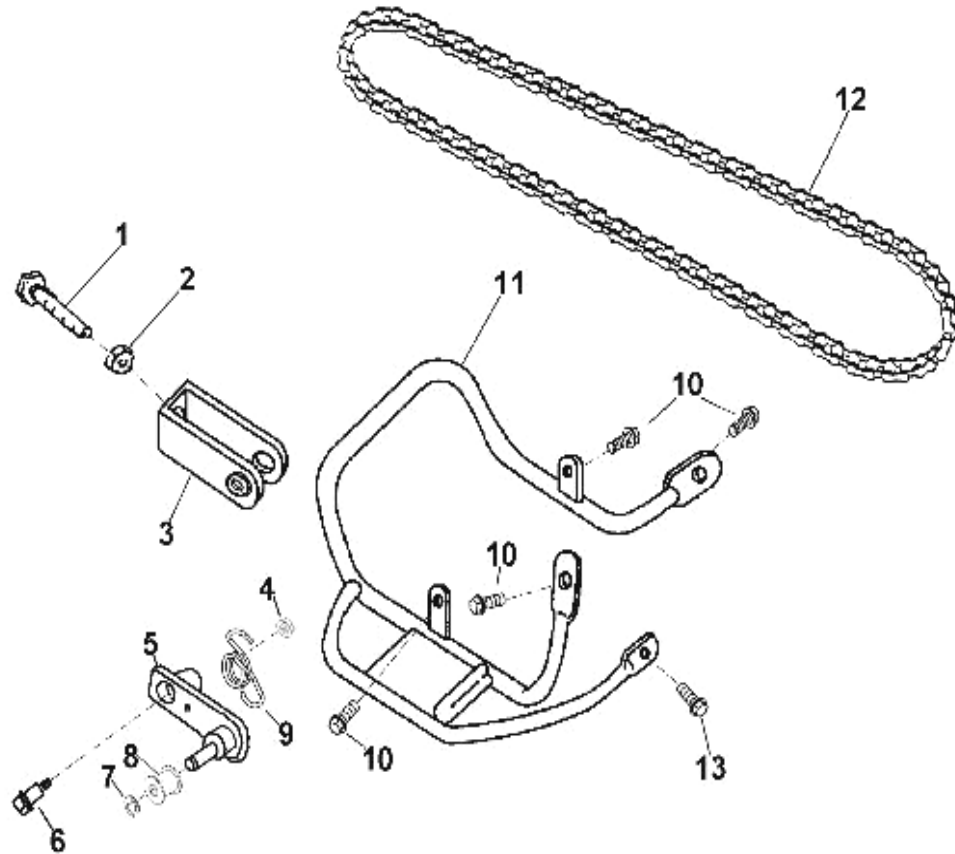
ITEM	DESCRIPTION	P/N	Q'TY
1	Grip, Handlebar	53167201-000	2
2	Asm., Lever, RH	53172201-000	1
3	Seat, Lever, RH	53176201-000	1
4	Bolt, Brake lever, RH	90115-090228-000	1
5	Lever, Brake, RH	53175180-000	1
6	Bracket, Brake Cable	53177131-000	1
7	Nut	90350-06000-00K	2
8	Wire, Brake Switch	53174201-000	1
9	Choke, Cable, Manual	53922182-000	1
10	Cable, Throttle	53910182-000	1
11	Clamp, Lower	53200204-000	2
12	Nut	90350-10000-00C	2
13	Strap	89768151-000	1
14	Sensor, Brake	53173131-000	1
15	Lever, Brake, LH	53178131-000	1
16	Asm., Lever LH	53171204-000	1
17	Perch, lever, LH	53170201-000	1
18	Bolt	90116-090238-00K	1
19	Bolt	93500-060088-00K	1
20	Screw	93100-030048-00B	2
21	Asm., Manual Choke	35160151-000	1
22	Asm., Switch, LH	35151204-000	1
23	Handlebar	53100182-A00	1
24	Clamp, Upper, LH	53210204-000	1
25	Bolt	91000-080258-00K	4
26	Clamp, Upper, RH	53220204-000	1
27	Mirror, LH	88120201-001	1
28	Shield, Pod	64212182-000	1
29	U-Nut	90345-04000-02T	2
30	Bracket, Pod	53310181-00A	1
31	Bolt	93100-050168-00K	3
32	Pod, Handlebar	64211181-000	1
33	Screw	93903-1040128-00K	2
34	Bolt	96000-060128-10K	2
35	Mirror, RH	88110204-000	1

D-28: REAR WHEEL AXLE

ITEM	DESCRIPTION	P/N	Q'TY
1	Nut	94001-33000-00K	2
2	Washer	94121-3345012-000	2
3	Nut	94002-10000-00C	4
4	Sprocket, Drive, Final	41201156-000	1
5	Hub, Sprocket	41210156-000	1
6	Axle	42000158-000	1
7	Washer, Sprocket	41202156-000	2

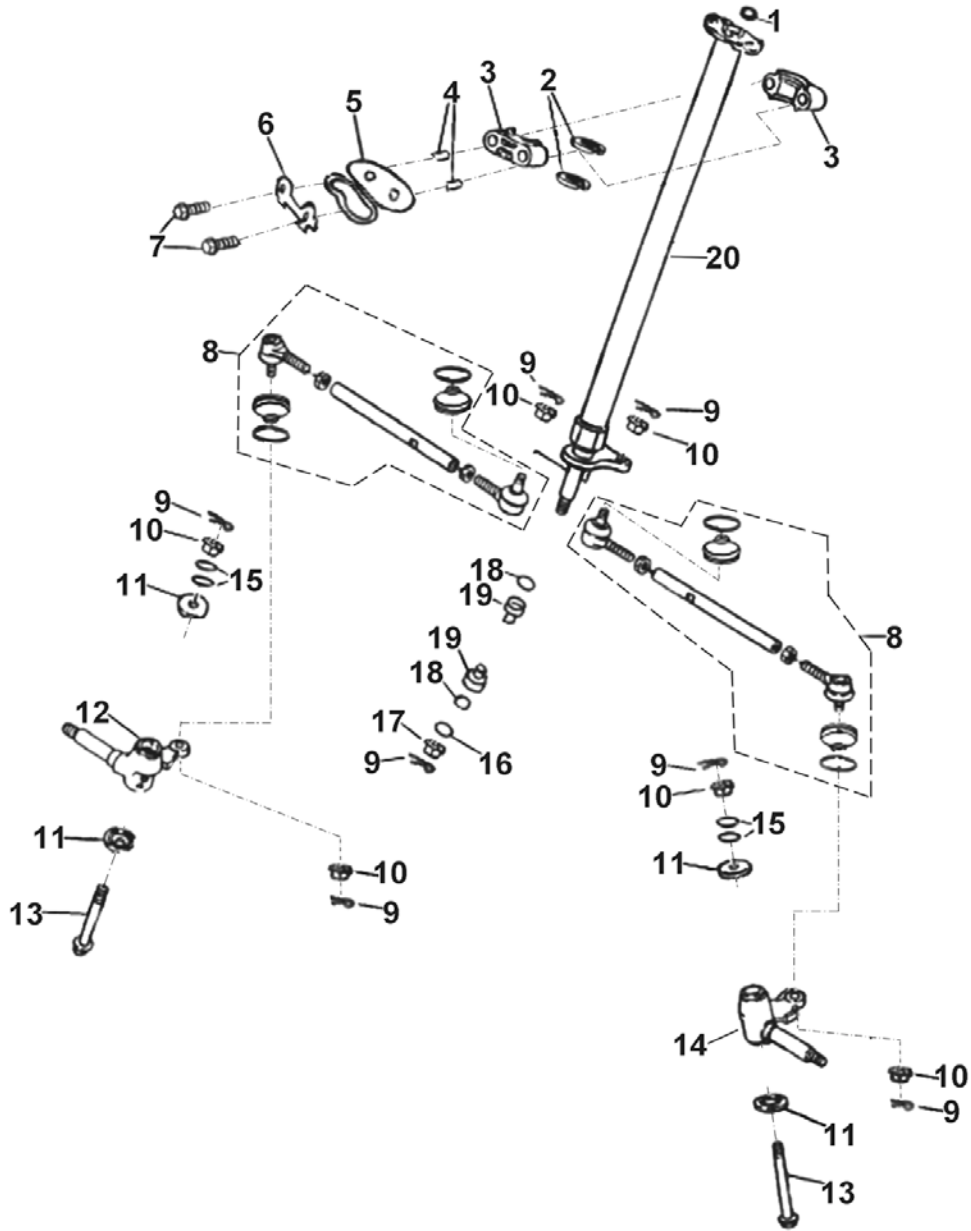


D-29: CHAIN



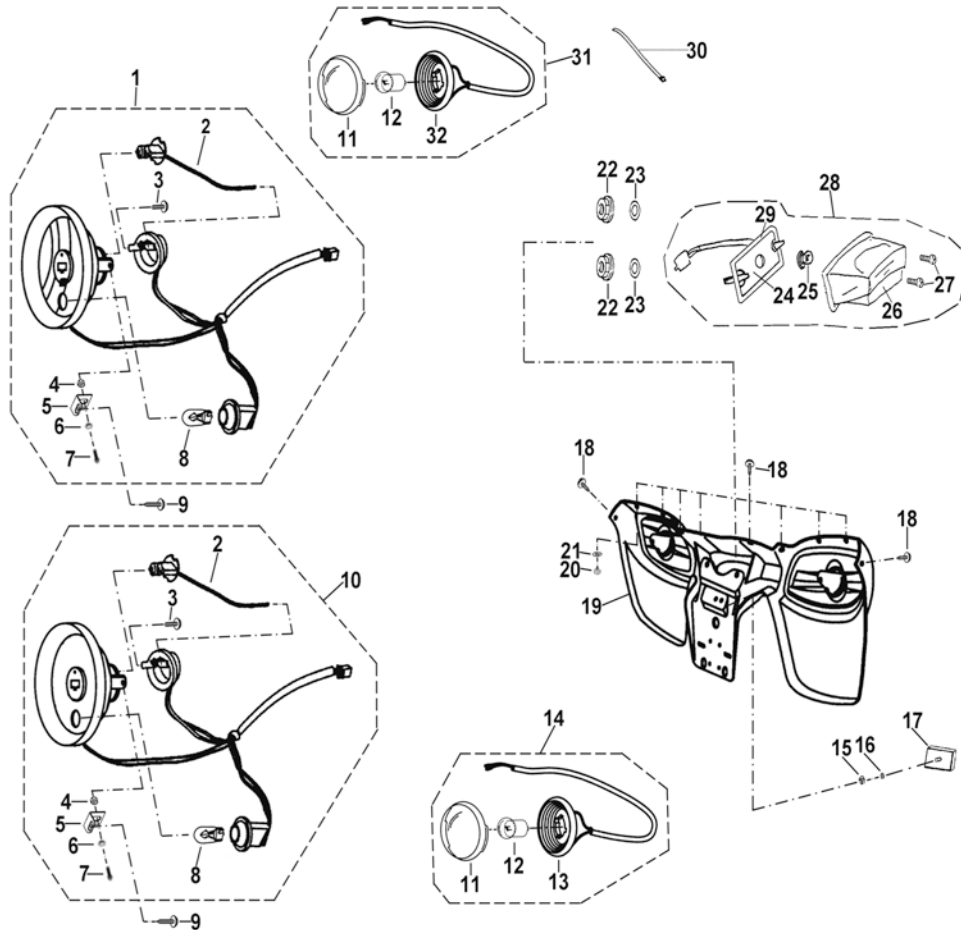
ITEM	DESCRIPTION	P/N	Q'TY
1	Bolt	92000-080608-00B	1
2	Nut	94050-08000-00C	1
3	Adjuster, Chain	40543156-000	1
4	Nut	90350-08000-0UK	1
5	Fixed Bracket, Chain Tensioner	40539202-000	1
6	Bolt	90108-080158-00K	1
7	E-Clip	94513-1020E	1
8	Roller, Chain Tensioner	40545201-000	1
9	Spring	40541201-000	1
10	Bolt	96000-080168-00K	4
11	Cover, Sprocket	40520182-000	1
12	Asm., Drive Chain	40530159-000	1
13	Bolt	96000-080148-00K	1

D-30: STEERING



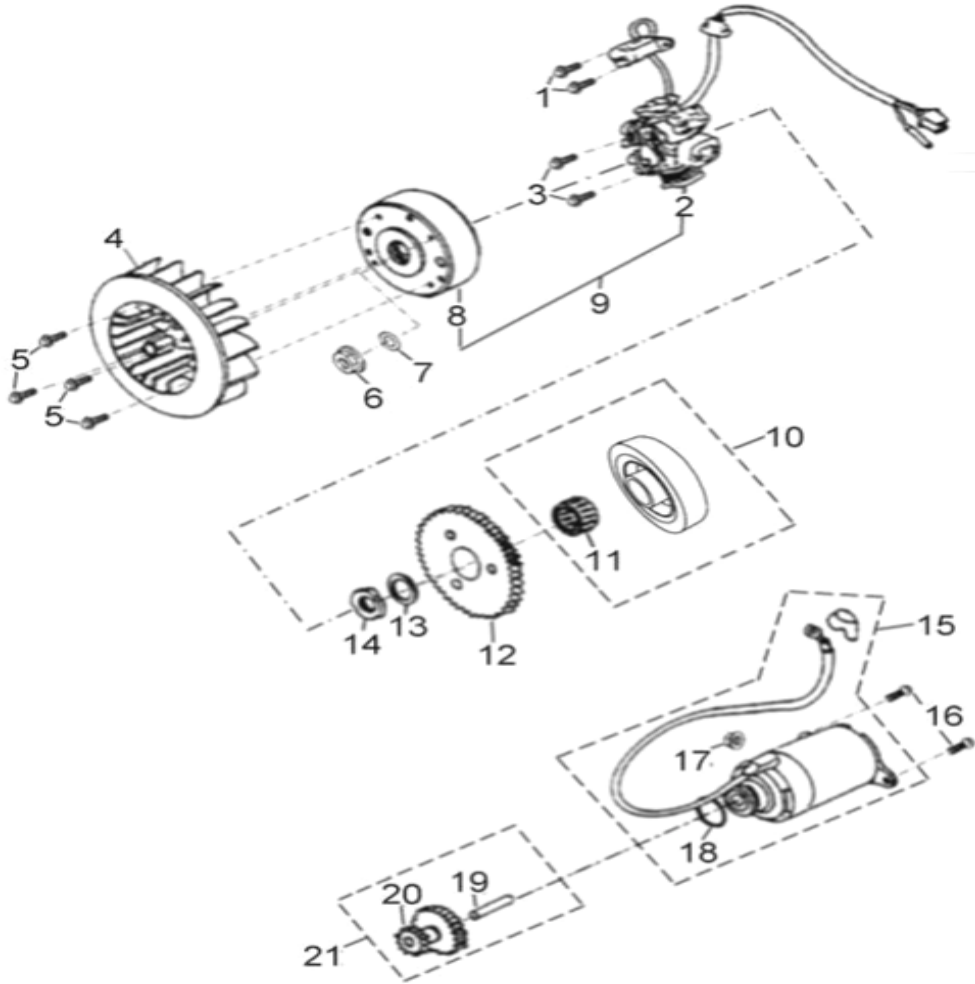
ITEM	DESCRIPTION	P/N	Q'TY
1	Cap, Rubber	19611202-000	1
2	Sleeve, Steering Shaft	51220156-000	2
3	Clamp, steering	53500156-000	2
4	Spacer	51317156-000	2
5	Bracket, Wire Collector	51318156-000	1
6	Washer, Lock	51319156-000	1
7	Bolt	92000-080608-00B	2
8	Asm., Tie Rod	53410202-000	2
9	Pin, Cotter	94201-25190	7
10	Nut	90352-10000-00C	6
11	Cap, Dustproof	52424156-000	4
12	Asm., Steering Knuckle, RH	51330202-000	1
13	Bolt	96004-101058-00K	2
14	Asm., Steering Knuckle, LH	51325202-000	1
15	Washer	94121-1020010-000	4
16	Washer	94101-1022010-00U	1
17	Nut	90350-10000-0UC	1
18	O-Ring	93210-01525	2
19	Post, Streering	51111156-000	2
20	Shaft, Steering	51112205-A00	1

D-31: LIGHTS



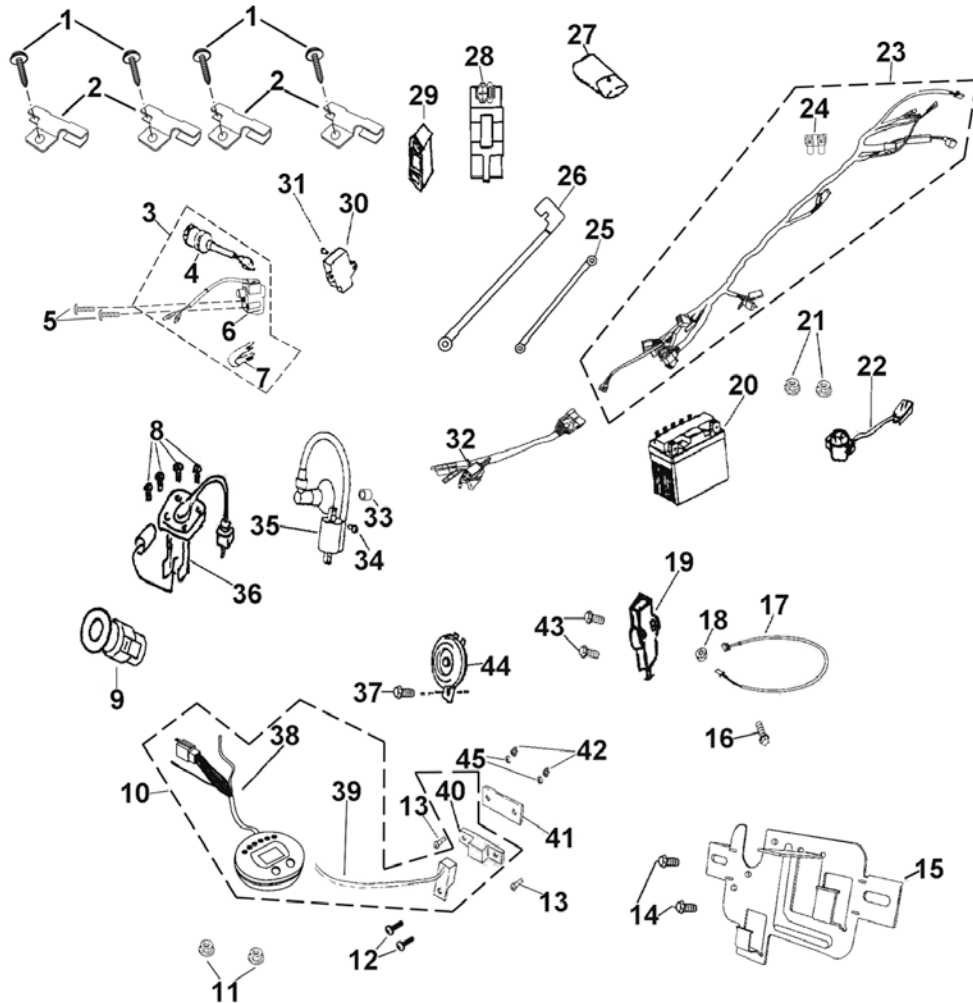
ITEM	DESCRIPTION	P/N	Q'TY
1	Asm., Low Beam	33100203-000	1
2	Bulb	34901201-000	2
3	Screw	93100-030068-00B	2
4	Nut	94001-06000-00K	4
5	Bracket, Headlight	33122201-000	4
6	Washer, Spring	94111-0610010-00K	4
7	Bolt	92005-060128-00K	4
8	Bulb, Parking	34909201-000	2
9	Screw	93903-1050128-00K	4
10	Asm., Hight Beam	33100204-000	1
11	Lens, Signal	33402201-000	4
12	Bulb, Signal	33905201-000	4
13	Socket, Signal, LH	33451201-000	2
14	Asm., Signal, Front, LH	33450182-000	2
15	Nut	94050-05000-00C	1
16	Washer	94101-0519010-00K	1
17	Reflector	33741131-000	1
18	Bolt	93100-050168-00K	10
19	License Plate	33708182-000	1
20	Nut	90350-05000-00K	10
21	Washer	94101-0514010-00K	10
22	Nut	94050-06000-00C	2
23	Washer	94101-0619010-00C	2
24	Socket, Taillight	33711205-000	1
25	Bulb, Taillight	34906201-000	1
26	Lens, Taillight	33702202-000	1
27	Bolt	93500-035398-SUS	2
28	Asm., Taillight	33700208-000	1
29	Gasket	33716205-000	1
30	Strap	89768151-000	2
31	Asm., Signal, Front, RH	33400182-000	2
32	Socket, Right Signal	33401201-000	2

D-32: GENERATOR/STARTING MOTOR



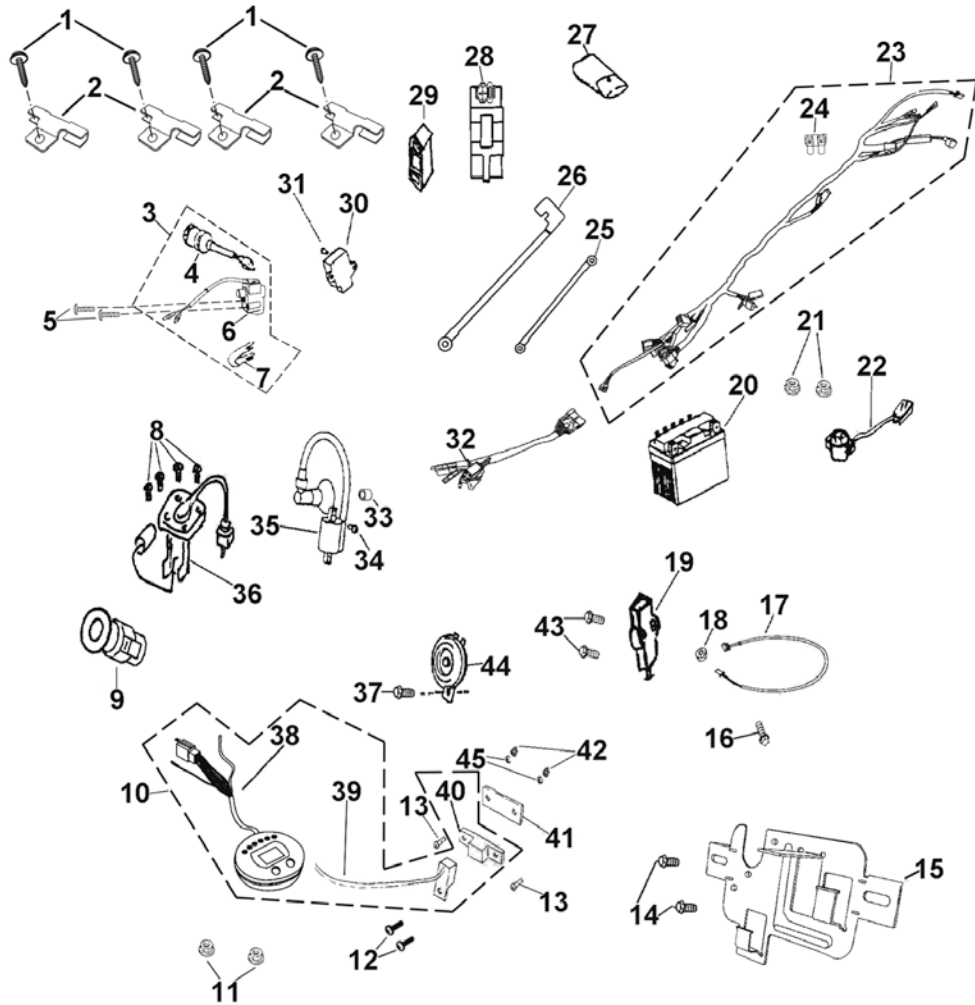
ITEM	DESCRIPTION	P/N	Q'TY
1	Bolt	92000-050128-00C	2
2	Stator	31120201-000	1
3	Bolt	96000-060208-08C	2
4	Fan	19510119-000	1
5	Bolt	96000-060188-08C	4
6	Nut	94050-12000-00C	1
7	Washer	94101-1225023-000	1
8	Flywheel	31110207-000	1
9	Asm., Generator	31100204-000	1
10	Asm., One Way Clutch	28410201-000	1
11	Bearing, Needle	96200-283217	1
12	Gear, Starter	28220119-000	1
13	Washer	94101-2231025-000	1
14	Nut, Lock	94071-22000-000	1
15	Motor, Starter	31200119-000	1
16	Bolt	96000-060188-08C	2
17	Nut	94050-06000-00C	1
18	O-Ring	93210-02431	1
19	Shaft, Starter Motor	28424119-000	1
20	Gear, Starter	28423119-000	1
21	Asm., Gear Starter	28422119-000	1

D-33: ELECTRICAL PARTS



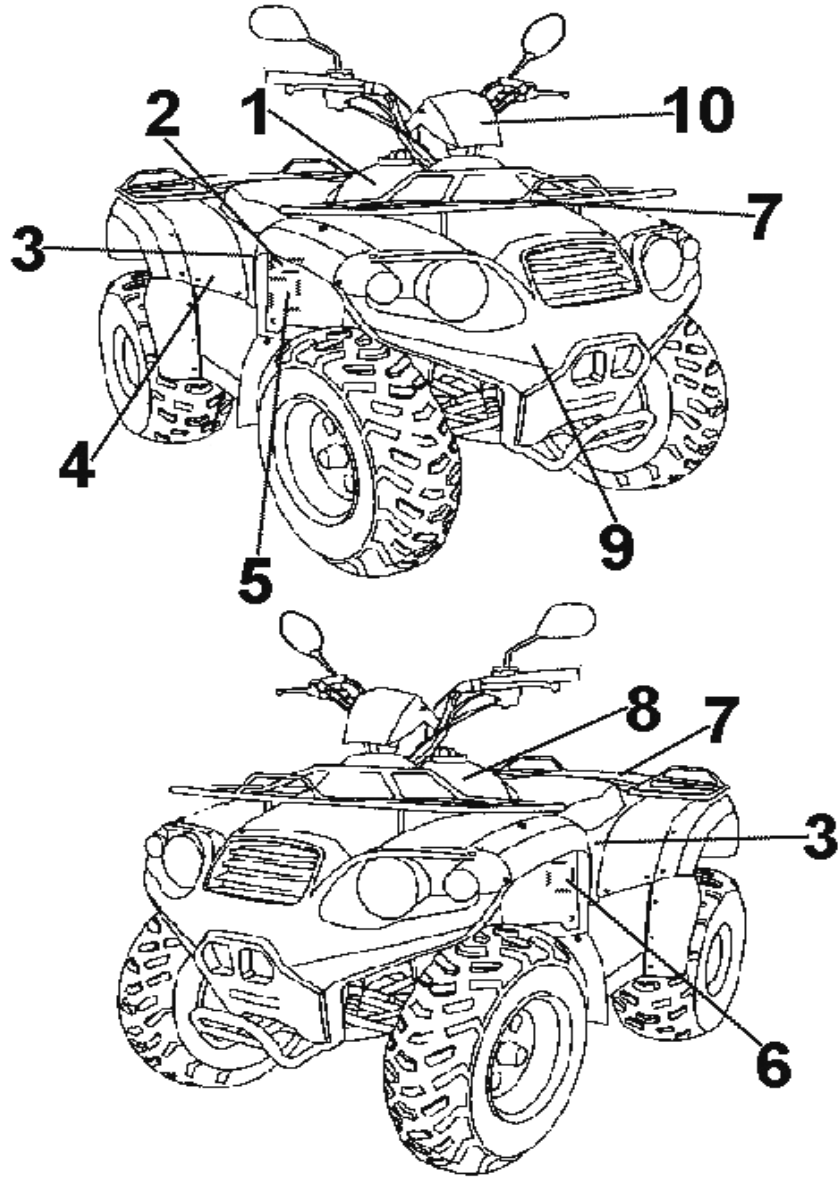
ITEM	DESCRIPTION	P/N	Q'TY
1	Screw, Tapping	93906-1030088-00K	4
2	Bracket, Cable	32107201-000	4
3	Asm., Main Switch	35100221-000	1
4	Switch, Main	35102211-000	1
5	Bolt	93100-050128-00K	2
6	Lock, Steering	35106206-000	1
7	Clip, Main Switch	35101131-000	1
8	Bolt	93100-050168-00K	4
9	Relay, Signal	38302133-000	1
10	Asm., Speedometer	37200212-000	1
11	Nut	94050-06000-00C	2
12	Bolt	93501-030108-00K	2
13	Screw	93100-040168-00K	2
14	Bolt	92005-060168-00K	2
15	Bracket, Electrical	32104201-000	1
16	Bolt	93501-030108-00K	1
17	Sensor	34912203-000	1
18	Nut	94001-03000-00K	1
19	Switch, Shift Control	34913201-000	1
20	Battery	31500156-001	1
21	Nut	94050-06000-00K	2
22	Asm., Starter Relay	38501119-000	1
23	Harness, Main Wire	32103201-000	1
24	Fuse	32106201-000	1
25	Wire, Ground	32102159-000	1
26	Wire, Battery	32102182-000	1
27	Pouch, Tool	89120119-000	1
28	Asm., CDI Unit	30410159-000	1
29	Pad, Rubber	30411156-000	1
30	Rectifier/ Regulator	31600204-000	1
31	Bolt	96000-060128-10K	1
32	Extended Wires	32101201-000	1
33	Bush, Plug Cap	30701201-000	1
34	Bolt	96000-050208-00C	1
35	Asm., Ignition Coil	30510119-000	1
36	Sensor, Fuel	37800201-000	1
37	Bolt	96000-060128-10K	1
38	Asm., Speedometer	37205202-002	1
39	Sensor, Speedometer	37202202-000	1
40	Magnet, Speedometer	37203204-000	1

D-33: ELECTRICAL PARTS



ITEM	DESCRIPTION	P/N	Q'TY
41	Bracket, Speedometer	37201159-000	1
42	Nut	90350-04000-00K	2
43	Bolt	91000-050168-00K	2
44	Horn	38110119-000	1
45	Washer	94101-0412010-00K	2

D-34: DECALS



ITEM	DESCRIPTION	P/N	Q'TY
1	Decal, Tank, RH	87720209-000	1
2	Decal , Waring, Reverse	87854202-000	1
3	Decal, OVERLAND 180	87716208-000	2
4	Decal, Waring, Chain	87858156-001	1
5	Decal, Waring	87851159-000	1
6	Decal, General Waring	87852159-000	1
7	Decal, Warning, Rack	87869131-000	2
8	Decal, Tank, LH	87721209-000	1
9	Decal, Fragile, Frame	87871204-000	1
10	Decal, AEON, Logo	87711162-000	1