

MiniKOLT 50



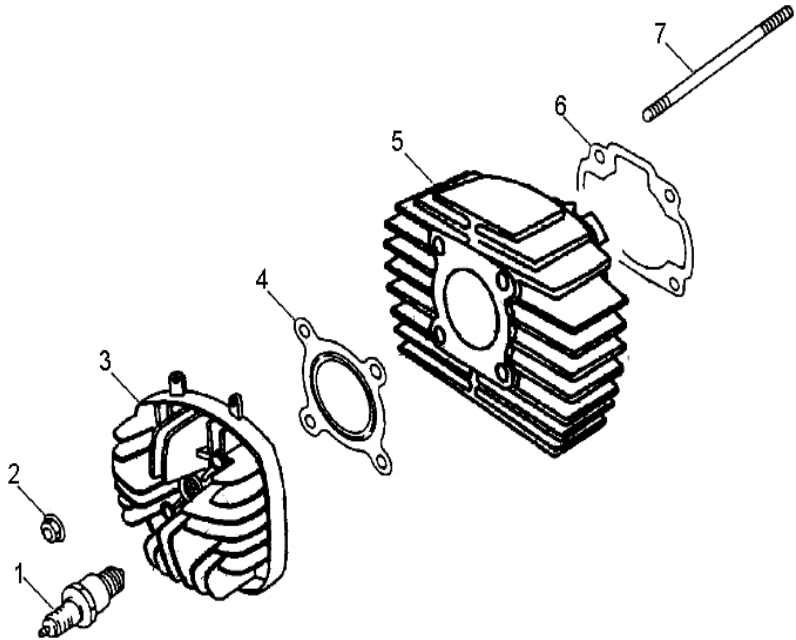
VIN Nंबर:

RF3AT60AA3T001718



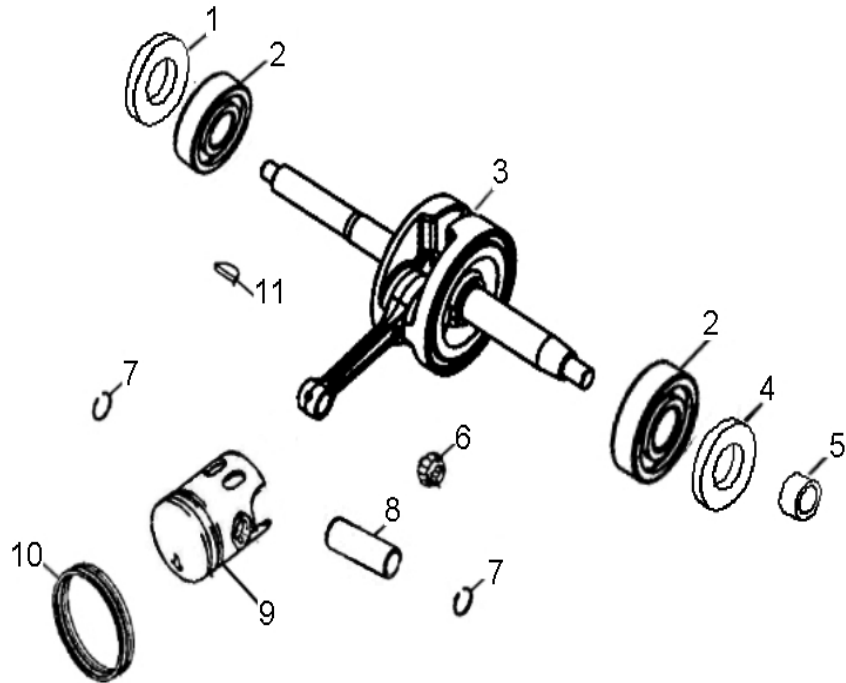
D-1:CYLINDER HEAD

ITEM	DESCRIPTION	P/N	Q"TY	Note
1	Plug, Spark	98076111-00A	1	
2	Nut	94050-07000-00C	4	M7*P1.0
3	Head, Cylinder	12201155-000	1	
4	Gasket, Cylinder Head	12251113-000	1	
5	Cylinder	12101201-000	1	
6	Gasket, Cylinder	12191113-001	1	
7	Stud	91001-071108-00C	4	

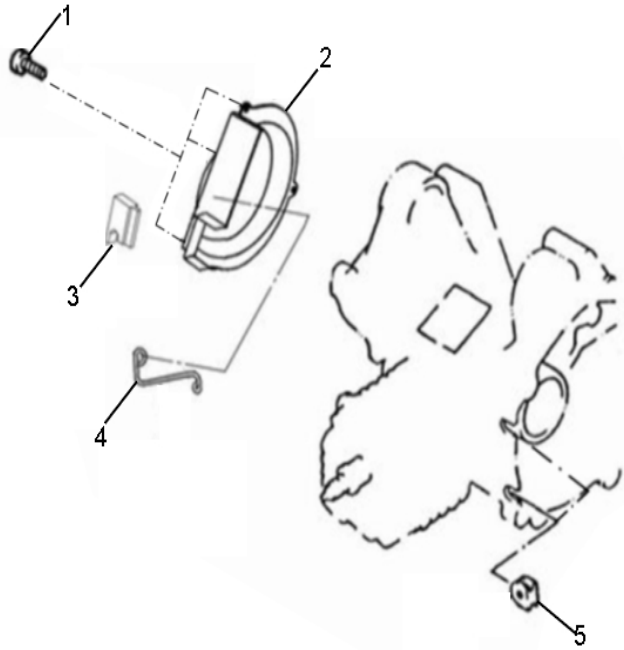


D-2:CRANK SHAFT

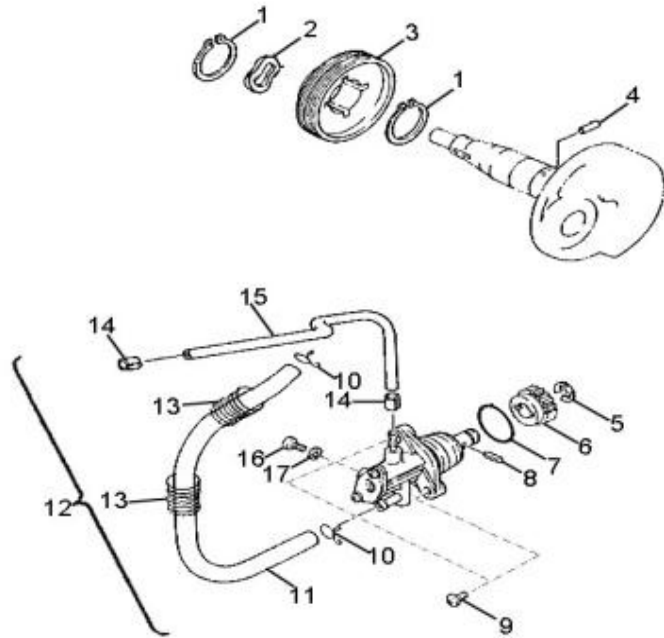
ITEM	DESCRIPTION	P/N	Q"TY	Note
1	Seal, Oil	96504-203006NBR	1	
2	Bearing, Ball	96100-62040-JR2C3	2	JR2C3
3	Asm., Crankshaft	13020113-000	1	
4	Seal, Oil	96504-204208NBR	1	
5	Collar, Crank, LH	13316113-000	1	
6	Bearing, Needle	96200-101412	1	
7	Clip, Piston Pin	13115111-000	2	
8	Pin, Piston	13111111-000	1	
9	Piston	13100111-000	1	
10	Ring Set, Piston	13011111-000	1	
11	Key, Woodruff	90471-03013	1	



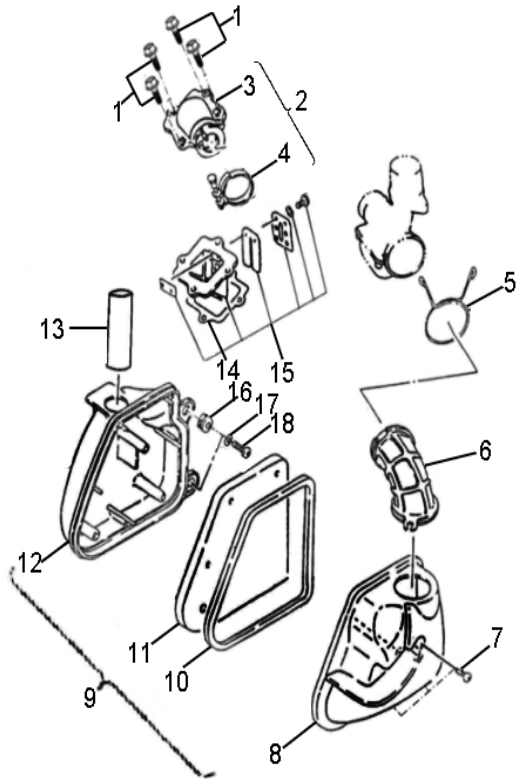
ITEM	DESCRIPTION	P/N	Q"TY	Note
1	Bolt	91000-060128-00K	3	M6*P1.0*12I
2	Cover Set, Flywheel	19610201-000	1	
3	Cover, Swing Arm Seal	52422201-000	1	
4	Retainer, Oil Pump Cover	45451170-000	1	
5	Grommet, Cylinder	83552113-000	2	



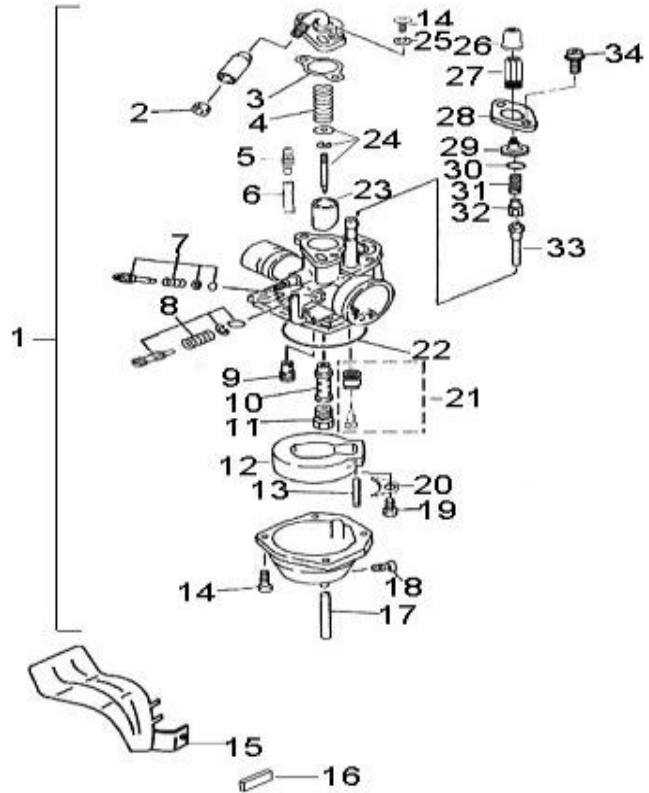
D-4:PUMP ASSEMBLY



ITEM	DESCRIPTION	P/N	Q"TY	Note
1	Clip, Cir	94511-1900S	2	
2	Washer	94124-2026003-00K	1	
3	Sprocket, Oil Pump	15150111-000	1	
4	Pin, Dowel	94301-03012	1	φ3*12L
5	Clip, Cir	94511-0700E	1	
6	Gear, Worm, Oil Pump	15136111-000	1	
7	O-Ring	93210-01414	1	
8	Pin, Shaft	96300-03013	1	
9	Bolt	91000-050168-00K	2	M5*P0.8*16L
10	Clamp	94510-08000	2	
11	Fuel hose	94401-05009-430	1	
12	Asm., Pump, Oil	15100202-000	1	
13	Spring, Protective, Oil Pipe	15311113-000	2	
14	Clip	94510-05000	2	
15	Tube, Oil	94403-02005-350	1	
16	Bolt	93500-040168-00K	1	
17	Washer	94101-0400805-000	1	φ 8.5*t0.5

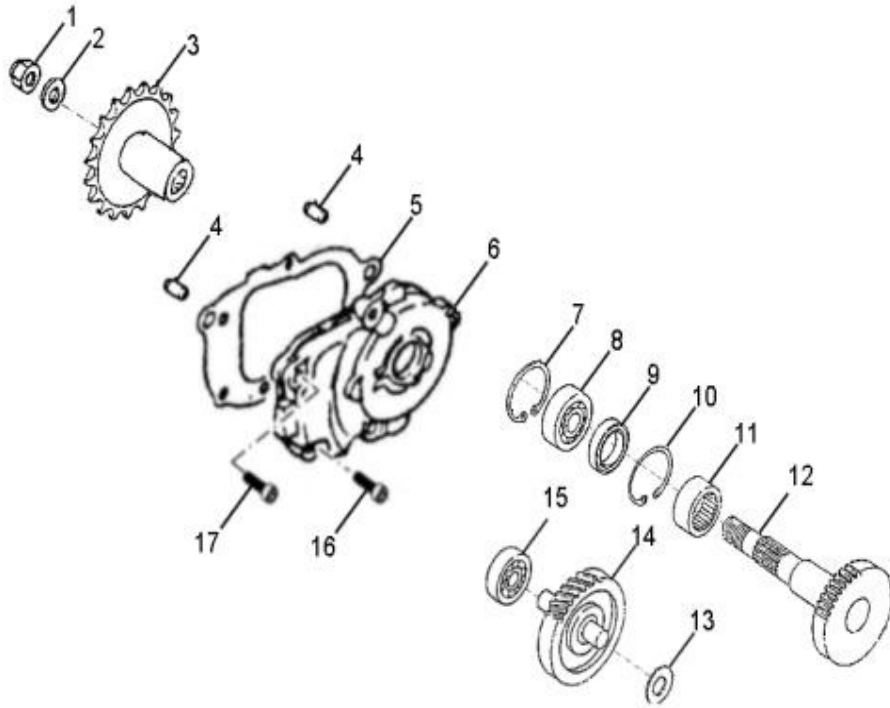


ITEM	DESCRIPTION	P/N	Q"TY	Note
1	Bolt	96000-060188-08C	4	M6*P1.0*18l
2	Asm., Manifold, Intake	17100113-000	1	Incl. 3
3	Manifold	17101113-000	1	
4	Clamp, Hose	17102113-000	1	
5	Clip	94510-40000	1	
6	Boot	17253113-000	1	
7	Screw	93903-1050268-000	3	
8	Cover, Air Cleaner	17207113-000	1	
9	Asm., Cleaner, Air	17200153-C00	1	
10	Seal	17212113-000	1	
11	Filter, Air Cleaner	17205113-000	1	
12	Box, Air Cleaner	17206113-000	1	
13	Tube, Inlet, Air Cleaner	17219131-001	1	
14	Gasket	17111113-000	1	
15	Asm., Reed Valve	17110113-000	1	
16	Grommet	17485113-000	2	
17	Washer	94101-0613010-00C	2	ø6.1* φ 13*t
18	Bolt	91000-060208-00C	2	M6*P1.0*20l



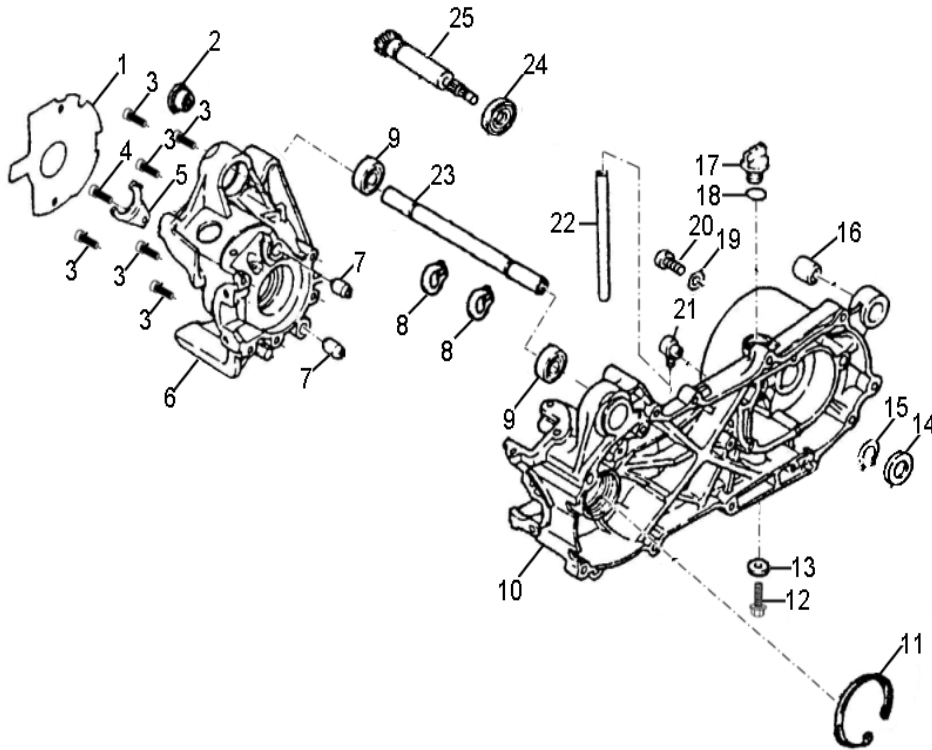
ITEM	DESCRIPTION	P/N	Q"TY	Note
1	Asm., Carburetor	16100208-000	1	
2	Nut, Cable Adjust	16113151-000	1	
3	Gasket	16101151-000	1	
4	Spring	16102113-000	1	
5	Plug, Oil	16120131-000	1	
6	Pipe, Oil	94403-03565-065	1	3.5* φ 6.5-65
7	Screw, Air	16115151-000	1	
8	Screw, Idle	16114151-000	1	
9	Jet, Pilot	16110151-000	1	
10	Valve, Needle	16105151-000	1	
11	Jet, Main	16108201-000	1	
12	Float	16123151-000	1	
13	Pin, Float	16119151-000	1	
14	Bolt	93500-040148-000	6	M4*P0.6*14L
15	Shroud, Air, Cylinder	19620170-000	1	
16	Foam, battery	81113153-000	1	
17	Drain Tube	16109151-000	1	
18	Plug, Drain	16111151-000	1	
19	Bolt	93500-030068-000	1	M3*P0.6*6L
20	Bracket, Valve	16185201-000	1	
21	Valve, Float	16117151-000	1	
22	Seal, Float	16106151-000	1	
23	Throttle, Valve	16103151-000	1	
24	Asm., Jet Needle	16104151-000	1	
25	Washer, Spring	94111-0407010-000	2	φ4.1* φ 7*t1
26	Grommet	16129170-000	1	
27	Support, Cable	16130170-000	1	
28	Bracket, Manual Choke	16126170-000	1	
29	Base, Manual Choke	16125170-000	1	
30	O-Ring	93210-01418	1	
31	Recoil, Choke	16127170-000	1	
32	Valve, Choke	16320201-000	1	
33	Jet, Choke	16214151-001	1	
34	Bolt	93501-040088-000	2	

D-7:DRIVE SHAFT

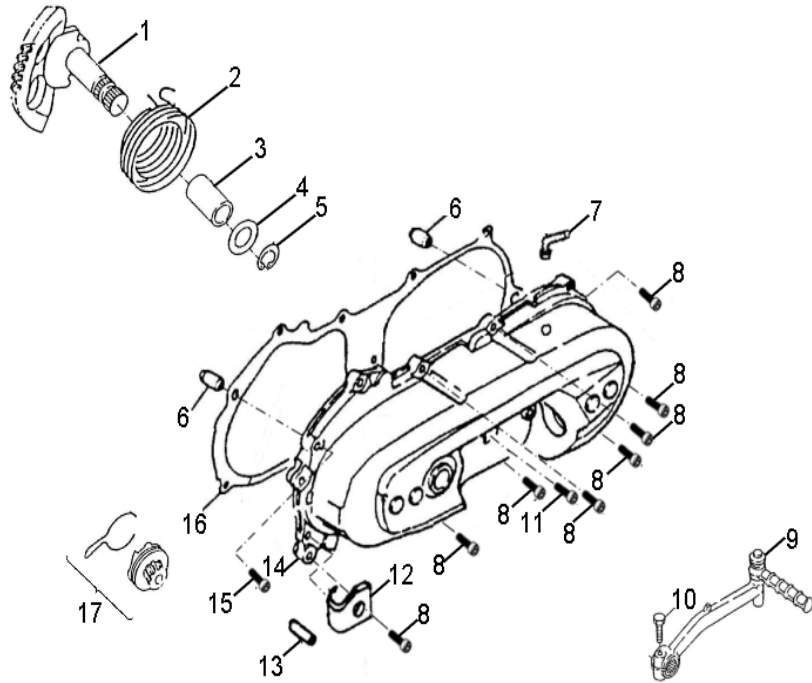


ITEM	DESCRIPTION	P/N	Q"TY	Note
1	Nut	90350-14000-00C	1	M14*P1.5
2	Washer	94101-1426020-00C	1	14.2*φ 26*t
3	Sprocket, Drive	23801170-000	1	17T
4	Pin, Dowel	94301-10140	2	φ10*14L
5	Gasket, Transmission Cover	21395113-001	1	
6	Cover, Transmission	21301113-000	1	
7	Clip, Cir	94512-4200R	1	
8	Bearing, Ball	96100-6004-LLUC3/ZG	1	04LLUC3/L5
9	Seal, Oil	96504-253506NBR	1	
10	Clip, Cir	94512-320IR	1	
11	Bearing, Needle	96200-253315	1	
12	Asm., Drive Axle	23430113-000	1	
13	Washer	94101-1222010-STE	1	
14	Axle, Main	23420113-000	1	
15	Bearing, Ball	96100-62010-00000	1	
16	Bolt	91000-060208-00C	3	M6*P1.0*20L
17	Bolt	91000-060308-00K	2	

D-8:CRANKCASE

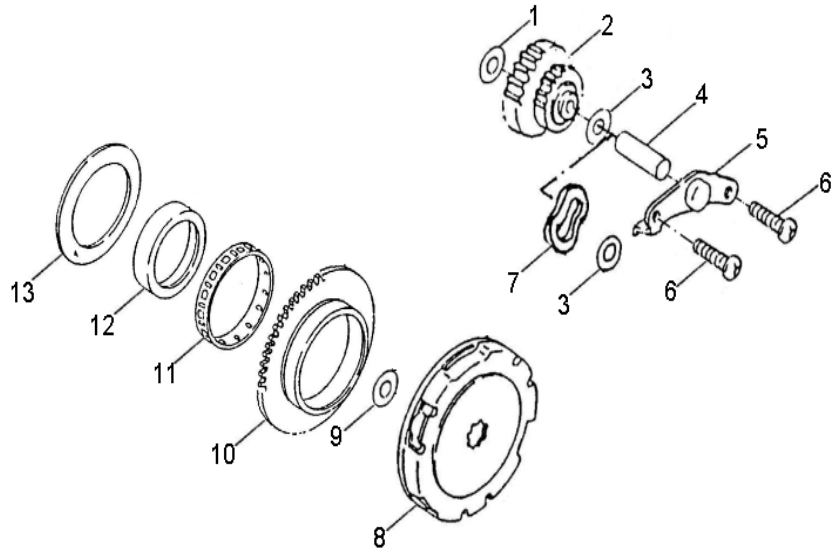


ITEM	DESCRIPTION	P/N	Q"TY	Note
1	Gasket, Generator	11121113-000	1	
2	Plug, Rubber	11103111-000	1	
3	Bolt	91000-060358-00K	6	M6*P1.0*35L
4	Bolt	91000-060108-00C	1	M6*P1.0*10L
5	Bracket, Oil Seal	11111111-000	1	
6	Crankcase, RH	11101155-000	1	
7	Pin, Dowel	94301-12160	2	φ12*16L
8	Clip, Cir	94511-1700S	2	
9	Bearing, Ball	96100-60030-LLU00	2	
10	Crankcase, LH	11201131-000	1	
11	Clip, Cir	94512-4200R	1	
12	Bolt	96000-080168-00K	1	M8*P1.25*16L
13	Washer	94101-0815012-00U	1	
14	Seal, Oil	96504-172805ACM	1	
15	Clip, Cir	94511-1700S	1	
16	Bushing	96400-082020	1	
17	Plug, Oil	15650111-001	1	
18	O-Ring	93210-01326	1	φ13.3x2.6
19	Washer	94101-0619010-00C	1	φ6.1*φ19*t
20	Bolt	91000-060108-00C	1	M6*P1.0*10L
21	Breather, Crankcase, Lower	11610113-000	1	
22	Hose	94408-05007-100	1	
23	Shaft	11150170-000	1	
24	Bearing, Ball	96100-60030-00000	1	
25	Asm., Shaft, Drive	23411113-000	1	



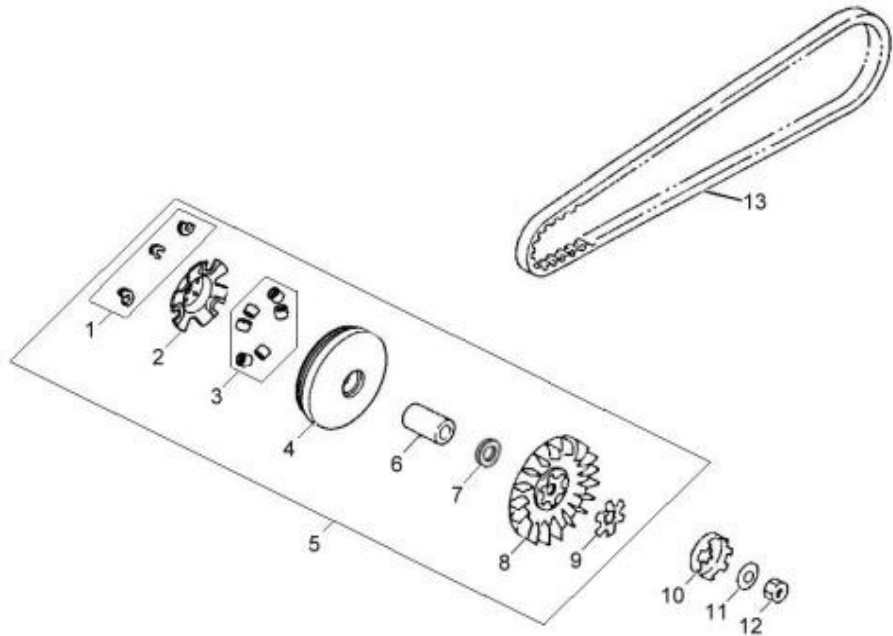
ITEM	DESCRIPTION	P/N	Q"TY	Note
1	Asm., Shaft, Kick Start	28250113-000	1	
2	Recoil, Kick Start	28281111-000	1	
3	Bushing	96401-152030	1	
4	Washer	94101-1528010-00K	1	φ15* φ 28*t1
5	Clip, Cir	94511-1500S	1	
6	Pin, Dowel	94301-10140	2	φ10*14L
7	Hose	11211112-000	1	
8	Bolt	91000-060258-00K	8	M6*P1.0*25L
9	Asm., Kick Start	28300111-001	1	
10	Bolt	96000-060258-00K	1	M6*P1.0*25L
11	Bolt	91000-060608-00K	1	M6*P1.0*60
12	Bracket, Carburator Tube	11351111-000	1	
13	Shaft, Pin	96300-08029	1	
14	Cover, Clutch	11341170-000	1	
15	Bolt	91000-060358-00K	2	M6*P1.0*35L
16	Gasket	11359113-001	1	
17	Asm., Kick Pinion	28225113-000	1	

ITEM	DESCRIPTION	P/N	Q"TY	Note
1	Washer	94101-0816015-00C	1	8.1* φ 16*t1.
2	Asm., Idle Gear	23422113-000	1	
3	Washer	94101-0818008-000	2	8.2* φ 18*t0.
4	Shaft, Pin	96300-08032	1	
5	Plate, Idle Gear	28236113-000	1	
6	Bolt	91000-060128-00K	2	M6*P1.0*12I
7	Washer	94124-0812003-00K	1	
8	Asm., One Way Clutch	28410113-000	1	
9	Washer	94101-1319005-000	1	13* φ 19*t0.
10	Gear, Starter	28220113-000	1	
11	Bearing, Needle	96200-555912	1	
12	Boss, Gear	28202113-000	1	
13	Washer	94101-5676006-000	1	56* φ 76*t0.

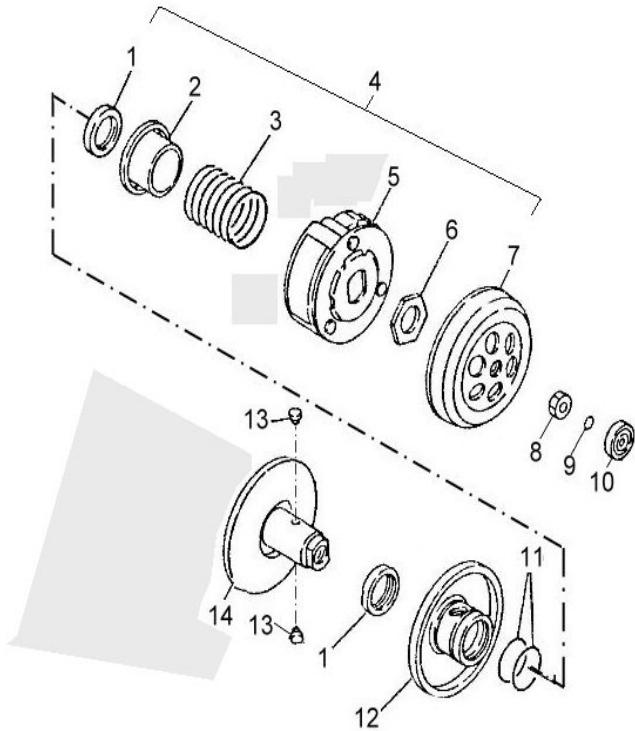


D-11:DRIVE CLUTCH

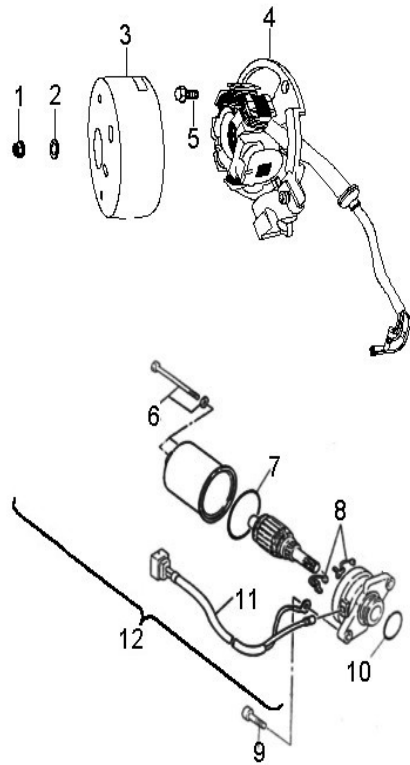
ITEM	DESCRIPTION	P/N	Q"TY	Note
1	Bushing, Slider	22132113-000	3	
2	Plate, Sheave	22131113-000	1	
3	Roller	22120113-000	1	
4	Wheel, Slot, Sliding, Primary	22110113-000	1	
5	Asm., Sliding	22103113-000	1	
6	Bushing	96401-131838	1	
7	Washer	94101-1319005-000	1	13* φ 19*t0.
8	Sheave, moveable	22102113-000	1	
9	Washer, Claw	22150111-000	1	
10	Clutch, One-Way	22140111-000	1	
11	Washer, Spring	94125-1024025-000	1	
12	Nut	94050-10000-00C	1	M10*P1.25
13	Belt, Driven	23100113-000	1	



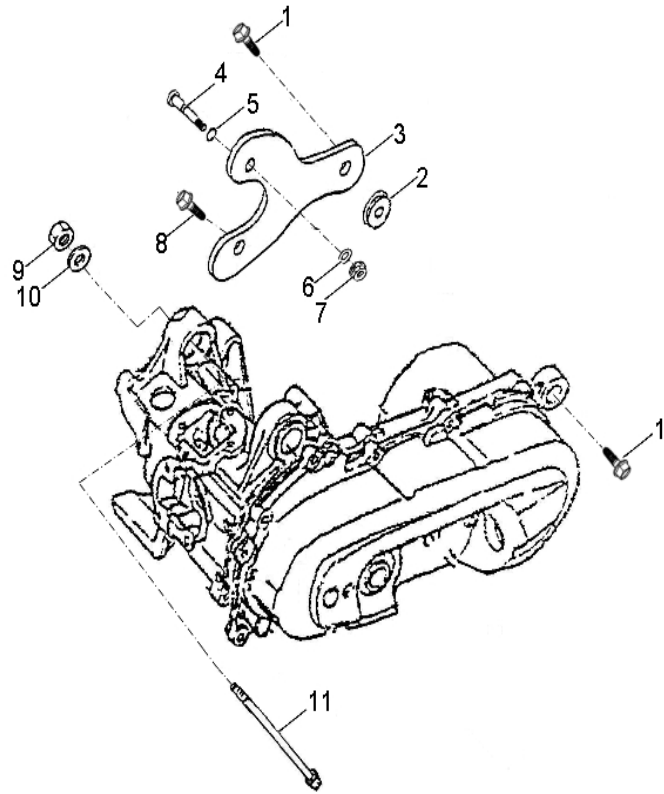
D-12:DRIVEN CLUTCH



ITEM	DESCRIPTION	P/N	Q"TY	Note
1	Seal, Oil	96500-333904A0015	2	
2	Seal, Collor	23237113-000	1	
3	Spring, Clutch	23233113-000	1	
4	Asm., Driven Clutch	22000113-001	1	
5	Weight, Clutch	22350113-000	1	
6	Nut	90202-18000-00C	1	
7	Clutch, Outer	22100113-000	1	
8	Nut	94001-10000-24C	1	
9	O-Ring	93210-00630	1	
10	Bearing, Ball	96100-63800-ZZ000/ZG	1	638ZZ/L542
11	O-Ring	93210-03622	2	
12	Sheave, Moveable	23220113-000	1	
13	Pin, Guide	23225113-000	2	
14	Sheave, Driven	23200201-000	1	



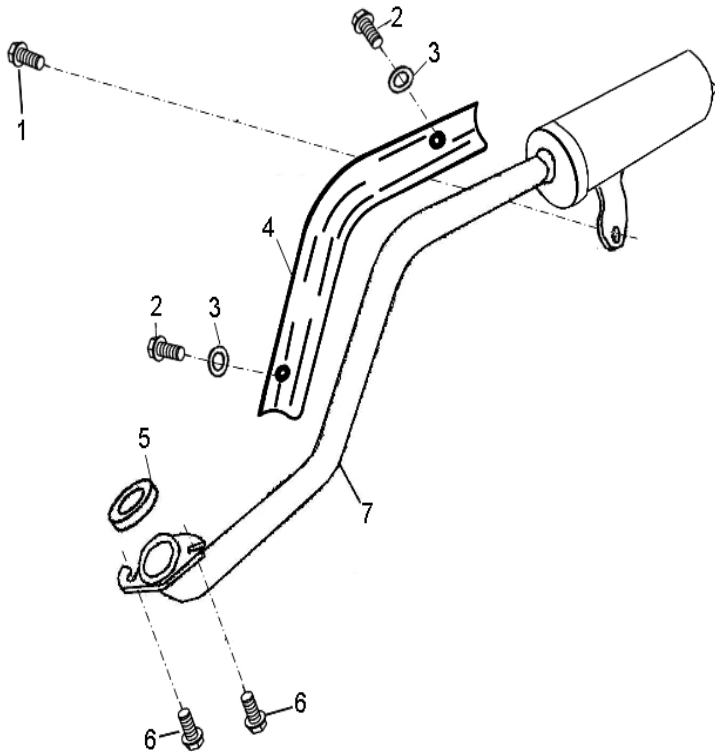
ITEM	DESCRIPTION	P/N	Q"TY	Note
1	Nut	94050-10000-00C	1	M10*P1.25
2	Washer	94101-1022020-00C	1	10.1*φ 22*t
3	Flywheel	31110151-001	1	
4	Stator	31120151-001	1	
5	Bolt	96000-060168-OKL	2	M6*P1.0*16l
6	Bolt Set	88310113-001	2	
7	O-Ring	93210-04537	1	
8	Brush Set	31201113-001	1	
9	Bolt	91000-060208-00C	2	M6*P1.0*20l
10	O-Ring	93210-02622	1	
11	Cord	31202113-001	1	
12	Motor, Starter	31200151-001	1	



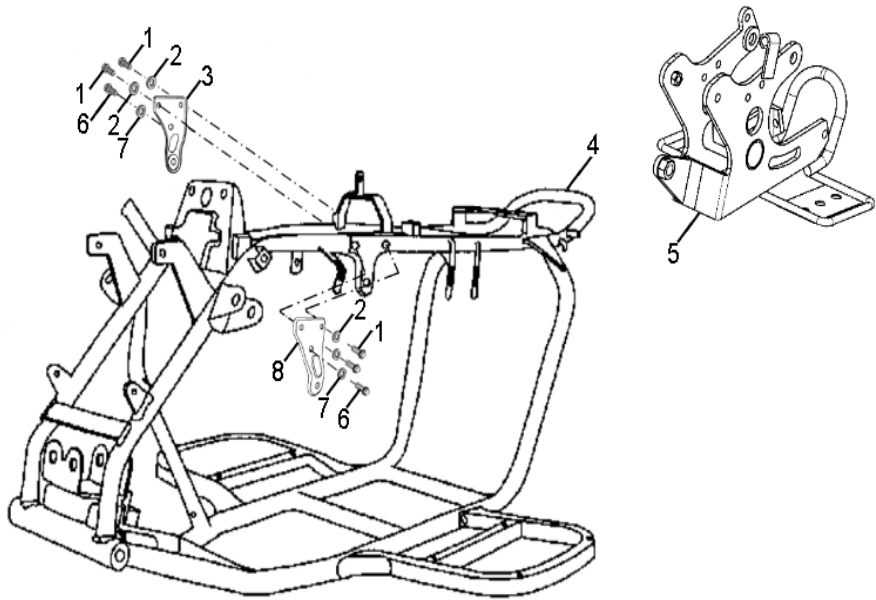
ITEM	DESCRIPTION	P/N	Q"TY	Note
1	Bolt	96000-080358-00K	2	M8*P1.25*35
2	Bushing	96400-082020	1	
3	Mount, Engine, Rear	50350131-001	1	
4	Shaft, Fixed, Rear Brake	43110131-000	1	
5	O-Ring	93210-00718	1	
6	Washer	94101-0816015-00C	1	8.1* φ 16*t1.
7	Nut	94050-08000-00C	1	M8*P1.25
8	Bolt	96000-120508-00C	1	
9	Nut	90350-12000-00C	1	M12*P1.25
10	Washer	94101-1225020-00C	1	12.1* φ 25*t
11	Bolt	96000-122368-14C	1	

D-15:EXHAUST PIPE

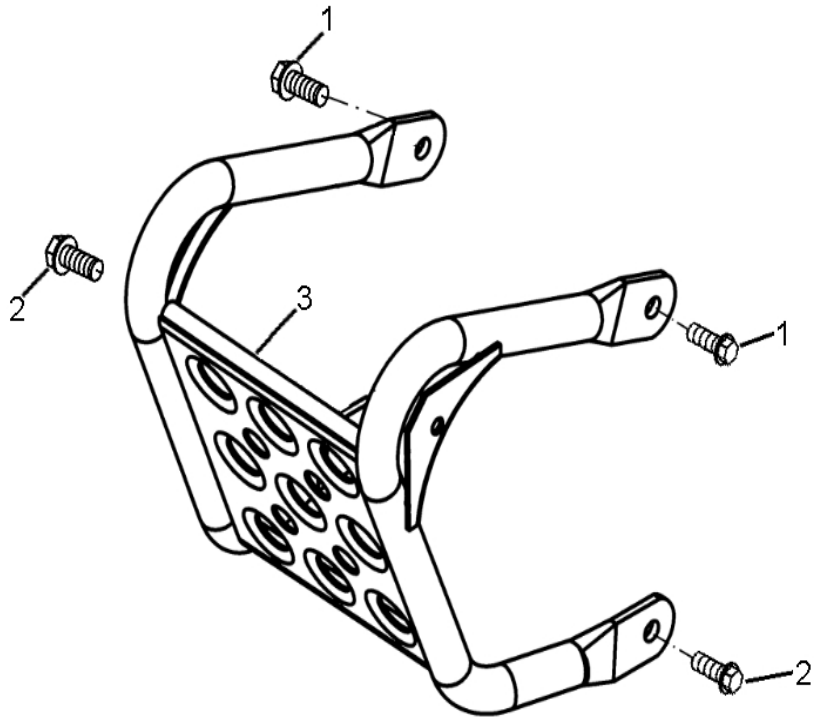
ITEM	DESCRIPTION	P/N	Q"TY	Note
1	Bolt	96000-080128-00K	1	M8*P1.25*12
2	Bolt	96000-060108-00B	2	M6*P1.0*10
3	Gasket	94102-0613010-000	2	
4	Shield, Exhaust	18315156-000	1	
5	Gasket	18291111-000	1	
6	Bolt	96000-060188-OCT	2	M6*P1.0*18
7	Pipe, Exhaust	18301170-000	1	

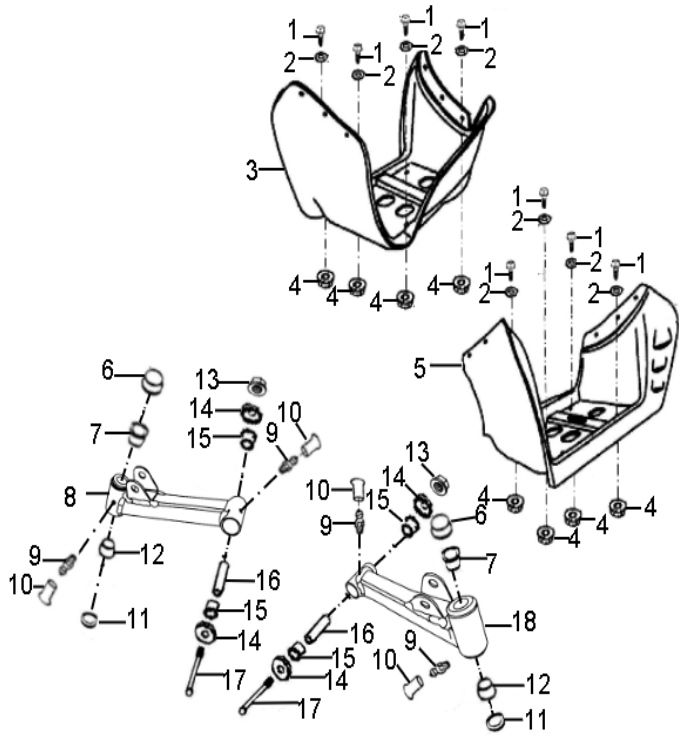


ITEM	DESCRIPTION	P/N	Q"TY	Note
1	Bolt	96000-080148-OKL	4	18*P1.25*14
2	Washer, Spring	94111-0801502-00K	4	8.1*φ 15*t0
3	Plate, Engine Bracket	50351204-000	1	
4	Asm., Frame	50100215-00A	1	
5	Arm, Swing	55410170-000	1	
6	Bolt	96000-100208-OKL	2	10*P1.25*20
7	Washer, Spring	94111-1001502-00K	2	10.1*φ 15*t
8	Bracket, Engine Mount, RH	50355204-000	1	

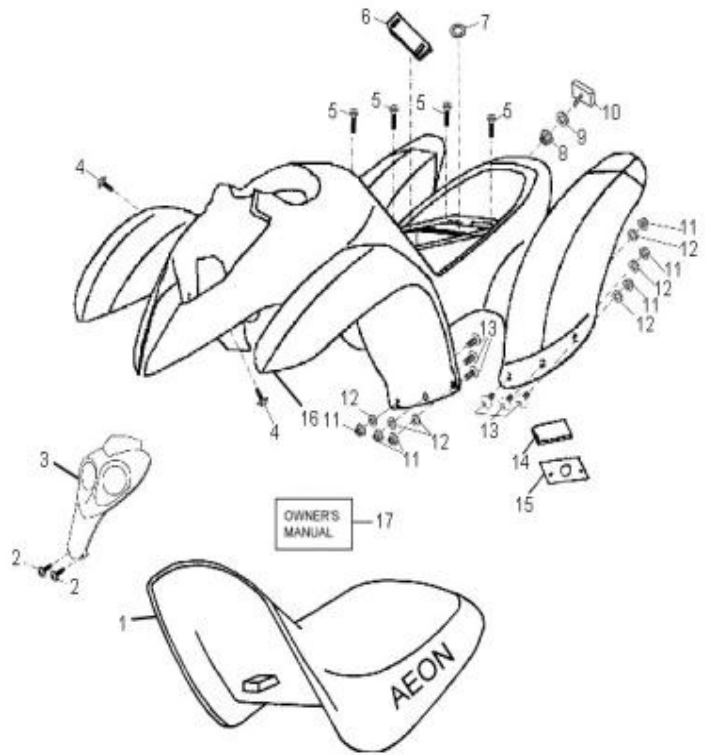


ITEM	DESCRIPTION	P/N	Q"TY	Note
1	Bolt	96000-060168-10K	2	M6*P1.0*16
2	Bolt	96000-080168-00K	2	M8*P1.25*16
3	Bumper	50460170-000	1	



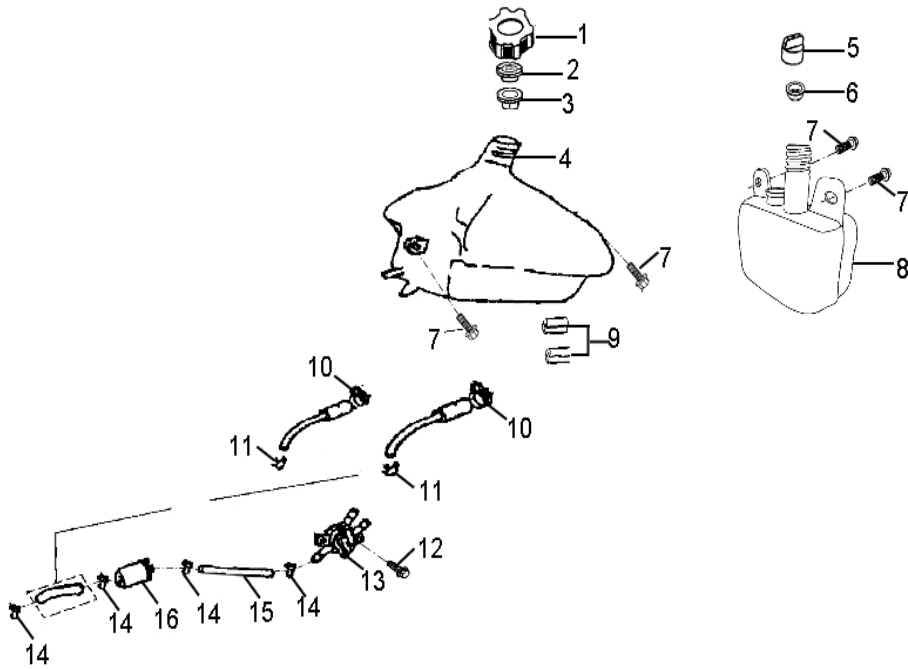


ITEM	DESCRIPTION	P/N	Q"TY	Note
1	Bolt	92005-060358-00K	8	
2	Washer	94101-0613010-00K	8	φ6* φ 13*t1
3	Asm., Footwell, RH	64300131-BLC	1	
4	Nut	90350-06000-00K	8	M6*P1.0
5	Asm., Footwell, LH	64310131-BLC	1	
6	Cover, Waterproof	51200201-000	2	
7	Seat, Grease Contain	52522131-000	2	
8	Arm, Suspension, Front, RH	53026203-000	1	
9	Valve, Grease	51300131-000	4	
10	Cap, Valve, Grease	51301131-000	4	
11	Cap, Dustproof	52424131-000	2	
12	Seat, Grease Contain	52523131-000	2	
13	Nut	94050-10000-00C	2	M10*P1.25
14	Cap, dustproof	52426156-000	4	
15	Bushing	53135203-000	4	
16	Spacer	53140156-000	2	
17	Bolt	96000-100758-OKL	2	
18	Arm, Suspension, Front, LH	53126203-000	1	

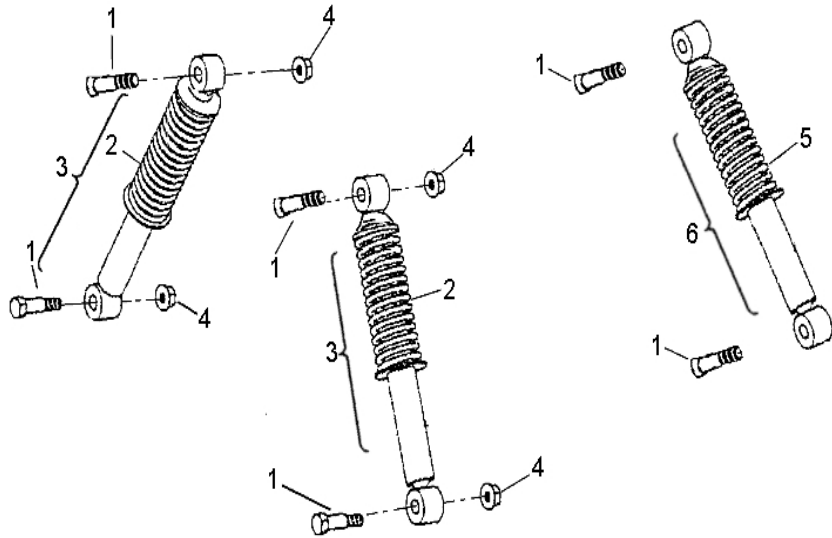


ITEM	DESCRIPTION	P/N	Q"TY	Note
1	Seat	77200170-00A	1	
2	Screw	93903-1040088-00K	2	M4*8L
3	Cover, Front Fender	61300170-000	1	
4	Bolt	92003-060168-00K	2	L.0*16L W/W
5	Bolt	92005-060168-00K	4	L.0*16L W/W
6	Strap, Battery	89750131-002	1	
7	O-Ring	93210-04635	1	
8	Nut	94050-05000-00C	1	M5*P0.8
9	Washer	94101-0519010-00K	1	b5.1*φ 19*t
10	Reflector	33741131-000	1	
11	Nut	90350-05000-00K	12	M5*P0.8
12	Washer	94101-0514010-00K	12	b5.1*φ 14*t
13	Bolt	93100-050168-00K	12	M5*P0.8*16L
14	Foam	31510131-000	1	
15	Decal, Isolation	80140131-000	1	
16	Cab, Front	61100170-507	1	
17	Manual, Owner's	88510211-000	1	

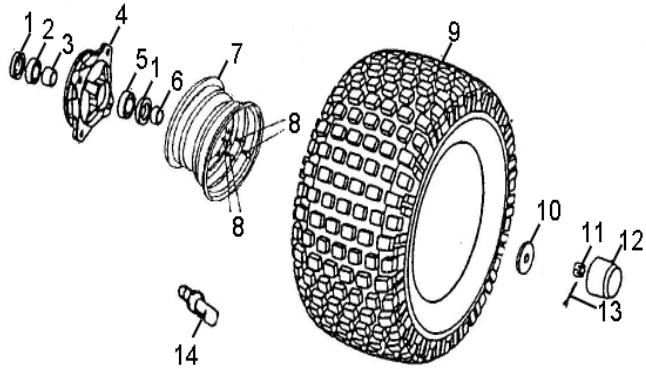
ITEM	DESCRIPTION	P/N	Q"TY	Note
1	Cap, Fuel Tank	17620151-000	1	
2	Vent, Fuel Cap	17621156-000	1	
3	Diaphragm, Fuel Cap	17625131-000	1	
4	Asm., Tank, Fuel	17500170-000	1	
5	Cap, Oil Tank	55105201-000	1	
6	Diaphragm, Oil Tank	55106201-000	1	
7	Bolt	92005-060168-00K	4	L.O*16L W/V
8	Asm., Oil Tank	55100170-002	1	
9	Rubber, Fuel Tank	64319131-000	2	
10	Clamp	94510-12000	2	
11	Clamp	94510-08000	2	
12	Bolt	96000-060128-10K	1	M6*P1.0*12L
13	Valve, Fuel	17950131-000	1	
14	Clamp	94510-08000	4	
15	Fuel hose	94401-05009-160	1	
16	Filter, Fuel	17952111-000	1	



ITEM	DESCRIPTION	P/N	Q"TY	Note
1	Bolt	96000-100408-OKL	6	10*P1.25*40
2	Spring, Suspension, Front	51101170-000	2	
3	Asm., Suspension, Front	51100249-878	2	
4	Nut	94050-10000-00C	4	M10*P1.25
5	Spring, Suspension, Rear	52401170-000	1	
6	Asm., Suspension, Rear	52400170-000	1	

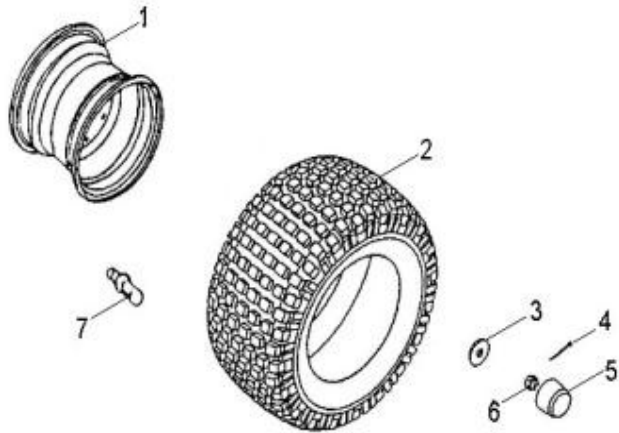


ITEM	DESCRIPTION	P/N	Q"TY	Note
1	Seal, Oil	96500-223507A7271	4	
2	Bearing, Ball	0490002-000	2	
3	Spacer	44311131-000	2	
4	Drum, Brake, Front	45130170-001	2	
5	Bearing, Ball	0490001-000	2	
6	Spacer	44312131-000	2	
7	Rim, Front	42701170-00A	2	
8	Nut	90355-10000-14C	8	
9	Tire	42711170-000	2	
10	Washer	94101-1240050-00C	2	
11	Nut, Lock	90351-12000-00C	2	M12*P1.25
12	Cap, Hub	42730151-000	2	
13	Pin, Cotter	94201-32320	2	
14	Valve, Rim	42616131-000	2	



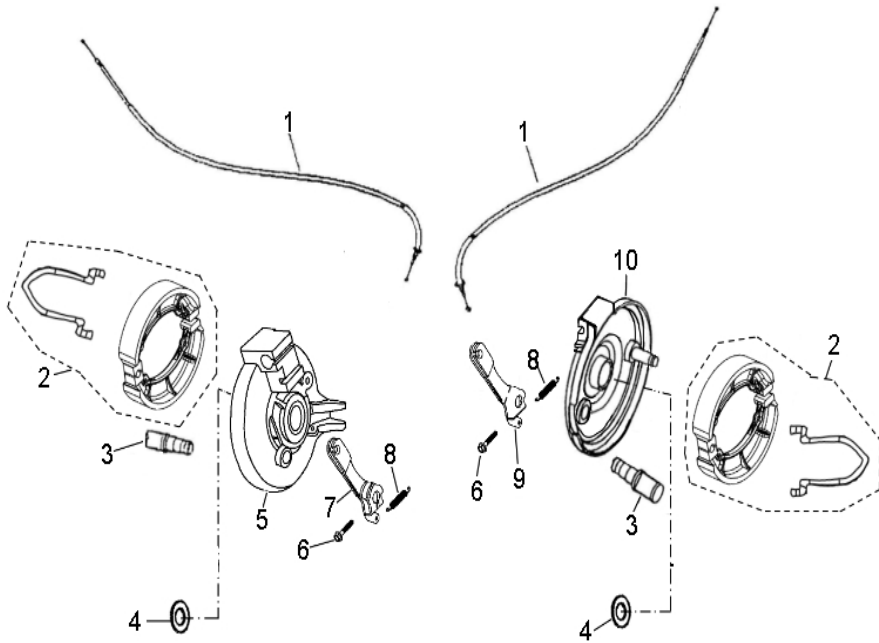
← FWD

ITEM	DESCRIPTION	P/N	Q"TY	Note
1	Rim, Rear	42801170-00A	2	
2	Tire	42811170-000	2	
3	Washer	94101-1443030-00C	2	14.1*φ 43*t
4	Pin, Cotter	94201-32320	2	
5	Cap, Hub	42730151-000	2	
6	Nut, Lock	90351-14000-00C	2	M14*P1.5
7	Valve, Rim	42616131-000	2	

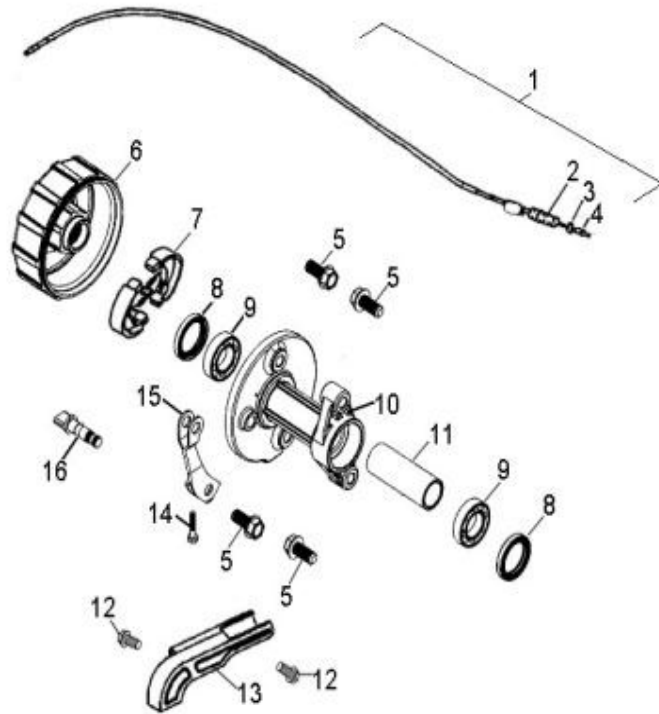


← FWD

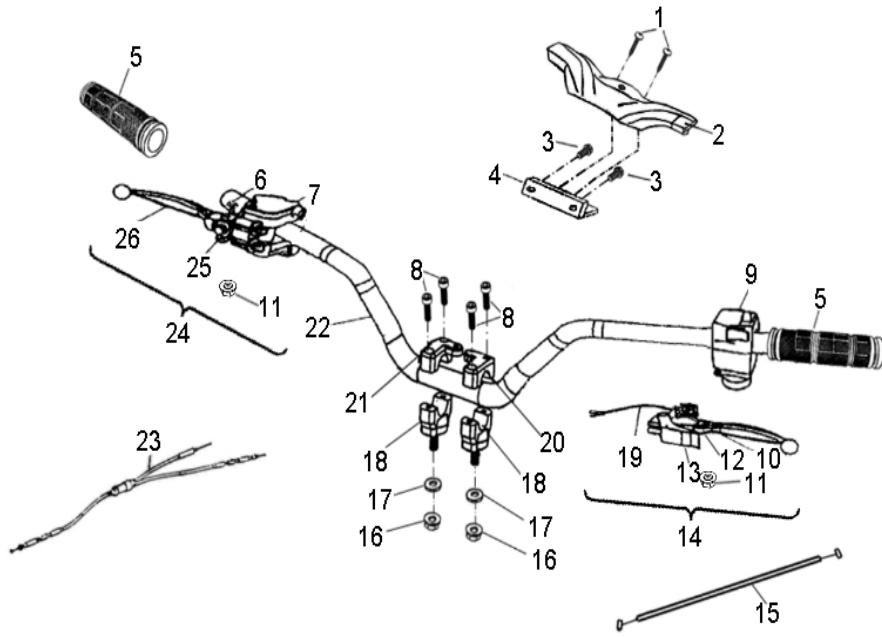
ITEM	DESCRIPTION	P/N	Q'TY	Note
1	Cable, Front Brake	45450170-000	2	
2	Asm., Shoe, Front Brake	45120170-000	2	
3	Shaft, Cam, Front Brake	45141131-000	2	
4	Washer	94101-1722010-00K	2	7.1* ϕ 21.8'
5	Plate, Front Brake, Rh	45020151-000	1	
6	Bolt	96000-050248-00C	2	M5*P0.8*24I
7	Arm, Front Brake, RH	45420151-000	1	
8	Spring, Return, Front	45143131-000	2	
9	Arm, Front Brake, LH	45410-151-000-00	1	
10	Plate, Front Brake, LH	45010151-000	1	



D-25:REAR BRAKE SYSTEM

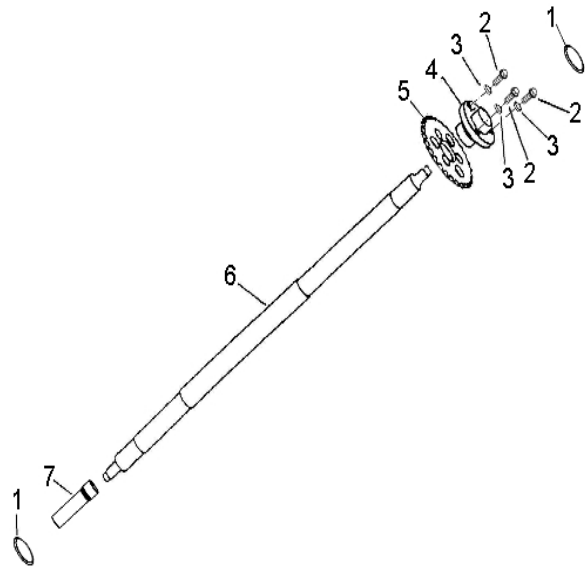


ITEM	DESCRIPTION	P/N	Q"TY	Note
1	Cable,Hand Brake, Rear	43450202-000	1	
2	Spring, Arm, Rear Brake	43459201-000	1	
3	Nut, Adjust, Brake	43416156-000	1	
4	Thru-Shaft, Rear Brake	90207-06000-500	1	
5	Bolt	96008-120288-OCL	4	12*P1.25*28
6	Drum, Brake	43520202-000	1	
7	Pad, brake, Rear	43120111-00C	1	
8	Seal, Oil	96500-354707A7271	2	35*47*7
9	Bearing, Ball	96100-60050-ZZ000	2	
10	Housing, Rear axle	42805204-000	1	
11	Tube, Spacer	42810203-000	1	
12	Bolt	96000-080128-00K	2	18*P1.25*12
13	Cover, Rear	40550170-000	1	
14	Bolt	96000-060288-10C	1	M6*P1.0*28
15	Arm, Rear Brake	43410202-000	1	
16	Cam , Rear Brake	43141201-000	1	

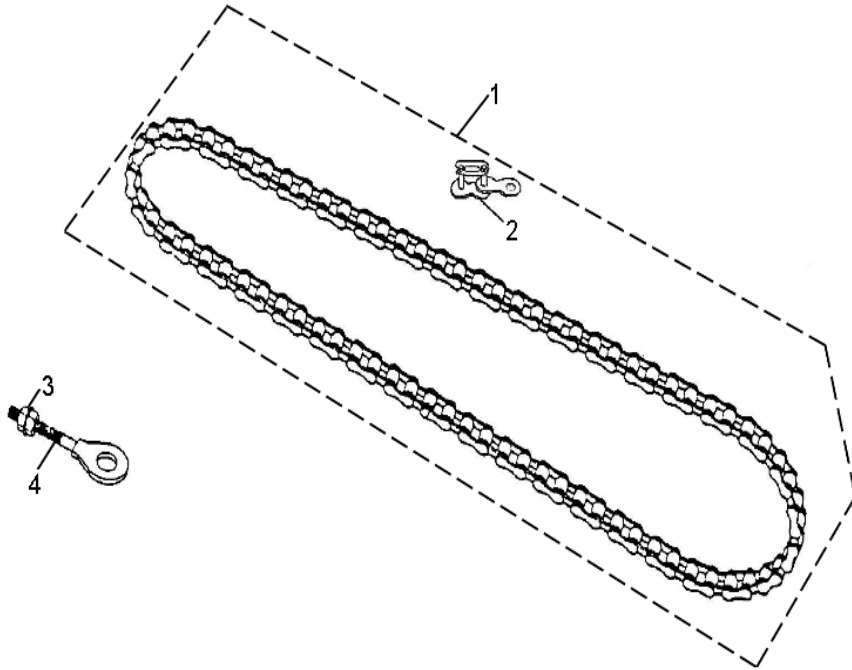


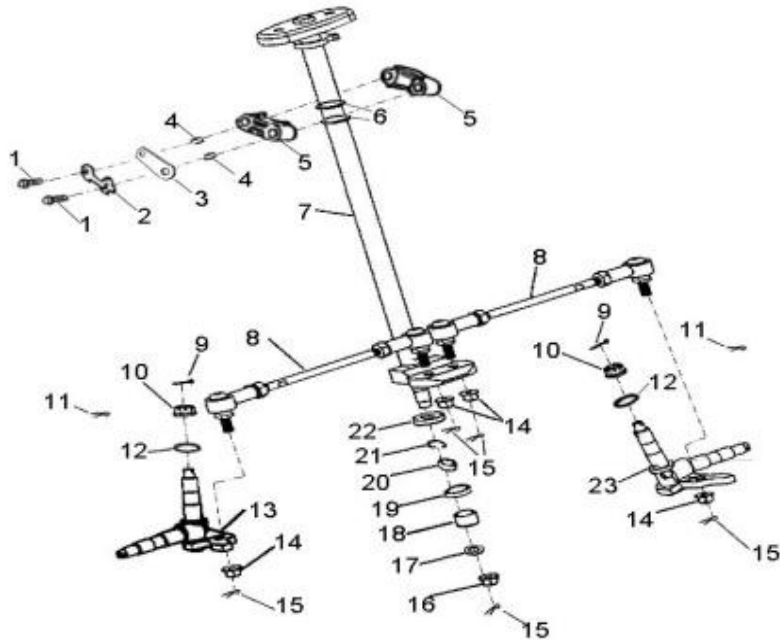
ITEM	DESCRIPTION	P/N	Q"TY	Note
1	Screw	93903-1040128-00K	2	M4*12L
2	Pod, Handlebar	64211170-000	1	
3	Bolt	96000-060128-10K	2	M6*P1.0*12L
4	Bracket, Pod	53310170-002	1	
5	Grip, Handlebar	53167201-000	2	
6	Bolt, Brake lever, RH	90115-090228-000	1	M9*P1.25*22L
7	Seat, Lever, RH	53176131-000	1	
8	Bolt	91000-060258-00K	4	M6*P1.0*25L
9	Asm., Switch, LH	35151170-001	1	
10	Bolt	90116-090238-00K	1	
11	Nut	90350-06000-00K	2	M6*P1.0
12	Lever, Brake, LH	53178170-000	1	
13	Lock, Park Brake	53179151-000	1	
14	Asm., Lever LH	53171205-000	1	
15	Choke, Cable, Manual	53922170-001	1	
16	Nut	90350-10000-00C	2	M10*P1.25
17	Washer	94101-1022020-00C	2	10.1*φ 22*tl
18	Clamp, Lower	53200131-000	2	
19	Sensor, Brake	53173131-000	1	
20	Clamp, Upper, LH	53210131-000	1	
21	Clamp, Upper, RH	53220131-000	1	
22	Handlebar	53100170-001	1	
23	Cable, Throttle	53910202-000	1	
24	Asm., Lever, RH	53172170-0A1	1	
25	Bracket, Brake Cable	53177131-000	1	
26	Lever, Brake, RH	53175151-000	1	

ITEM	DESCRIPTION	P/N	Q"TY	Note
1	Washer	94121-2040020-00K	2	
2	Bolt	96000-080208-00K	3	18*P1.25*20
3	Washer, Spring	94111-0801502-00K	3	8.1*φ 15*t0
4	Hub, Sprocket	41210201-000	1	
5	Sprocket, Drive, Final	41201204-000	1	
6	Axle	42000203-000	1	
7	Tube, Spacer, LH	42110201-000	1	

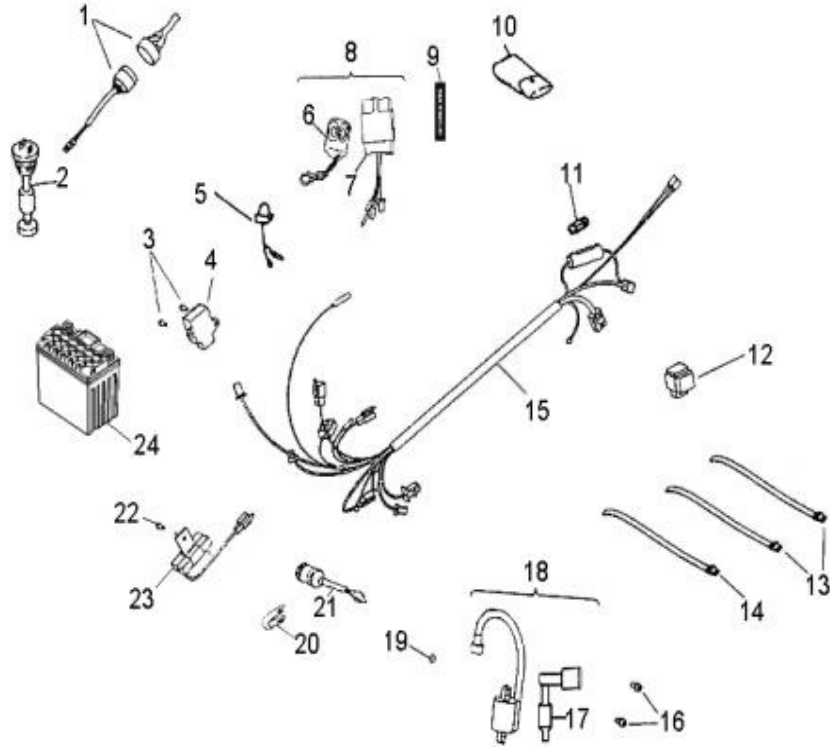


ITEM	DESCRIPTION	P/N	Q"TY	Note
1	Asm., Drive Chain	40530170-000	1	
2	Link, Master, Drive Chain	40531170-000	1	
3	Nut	94001-06000-10C	2	
4	Adjuster, Chain	40543152-001	1	





ITEM	DESCRIPTION	P/N	Q"TY	Note
1	Bolt	92000-080608-00B	2	M8*P1.25*60
2	Washer, Lock	51319156-000	1	
3	Bracket, Wire Collector	51318201-000	1	
4	Spacer	51317156-000	2	
5	Clamp, steering	53500203-000	2	
6	Steering Shaft Oil Seal	51225201-000	2	
7	Shaft, Steering	51107210-000	1	
8	Asm., Tie Rod	53410206-000	2	
9	Pin, Cotter	94201-16190	2	
10	Nut	90352-10000-00C	2	M10*P1.25
11	Pin, Cotter	94201-32320	2	
12	Washer	94121-1020010-000	2	10.1*φ 20*t
13	Knuckle, LH	51310131-001	1	
14	Nut	90350-10000-00C	4	M10*P1.25
15	Pin, Cotter	94201-25190	5	
16	Nut	90355-14000-19C	1	
17	Washer	94121-1835200-000	1	φ18*φ 35*t2
18	Spacer	44311131-000	1	
19	Seal, Oil	96500-223507A7271	1	
20	Bearing, Ball	96100-60020-ZZ000	1	6002ZZ
21	Clip, Cir	94512-3200R	1	
22	Seal, Oil	96500-183207A7271	1	
23	Knuckle, RH	51320131-001	1	



ITEM	DESCRIPTION	P/N	Q"TY	Note
1	Switch, Safety	30701131-000	1	
2	Asm., Oil Level Gauge	35410203-001	1	
3	Bolt	93500-050148-00C	2	M5*P0.8*14I
4	Rectifier/ Regulator	31600205-000	1	
5	Lamp, Warning, Low Oil	34908131-00A	1	
6	Antenna, Remoter	30705170-000	1	
7	Asm., CDI Unit	30410170-00A	1	
8	Asm., CDI W/ Remoter	30420170-00A	1	
9	Decal, Remoter Antenna	30706170-000	1	
10	Pouch, Tool	89120111-001	1	
11	Fuse	98200113-000	1	7A30V
12	Starter Relay	38501111-000	1	
13	Strap	89569131-000	2	ALT-200M-B
14	Strap	89769111-000	1	
15	Harness, Main Wire	32100170-0A1	1	
16	Bolt	96000-060228-00K	2	M6*P1.0*22I
17	Boot, Spark Plug	30601201-000	1	
18	Asm., Ignition Coil	30510155-000	1	
19	Washer, Star	94103-0600000-00C	1	M6*P1.0
20	Clip, Main Switch	35101131-000	1	
21	Switch, Main	35102213-000	1	
22	Bolt	96000-060128-10K	1	M6*P1.0*12I
23	Asm., Resistor	38601202-000	1	
24	Battery	31500111-002	1	

ITEM	DESCRIPTION	P/N	Q"TY	Note
1	Decal, AEON, Logo	87711162-000	1	
2	Decal, Tank, RH	87720210-000	1	
3	Decal, MINIKOLT, RH	87715214-000	1	
4	Decal, Waring, Y-6	87851170-000	1	
5	Decal " CE "	87887201-000	1	
6	Decal, Tank, LH	87721210-000	1	
7	Decal, MINIKOLT, LH	87716209-000	1	
8	Decal, Tire Pressure	87864170-000	1	
9	Decal, Waring, Passenger	87853131-00E	1	
10	Decal, General Waring	87852131-00E	1	

