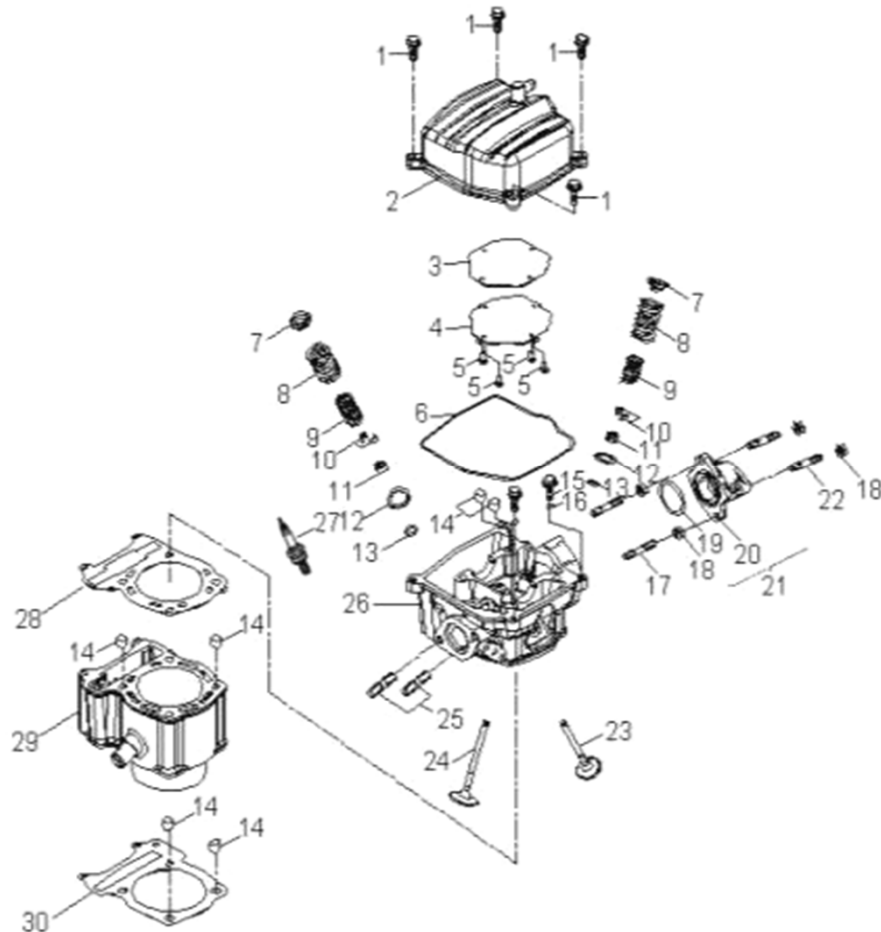


CROSSLAND 2000



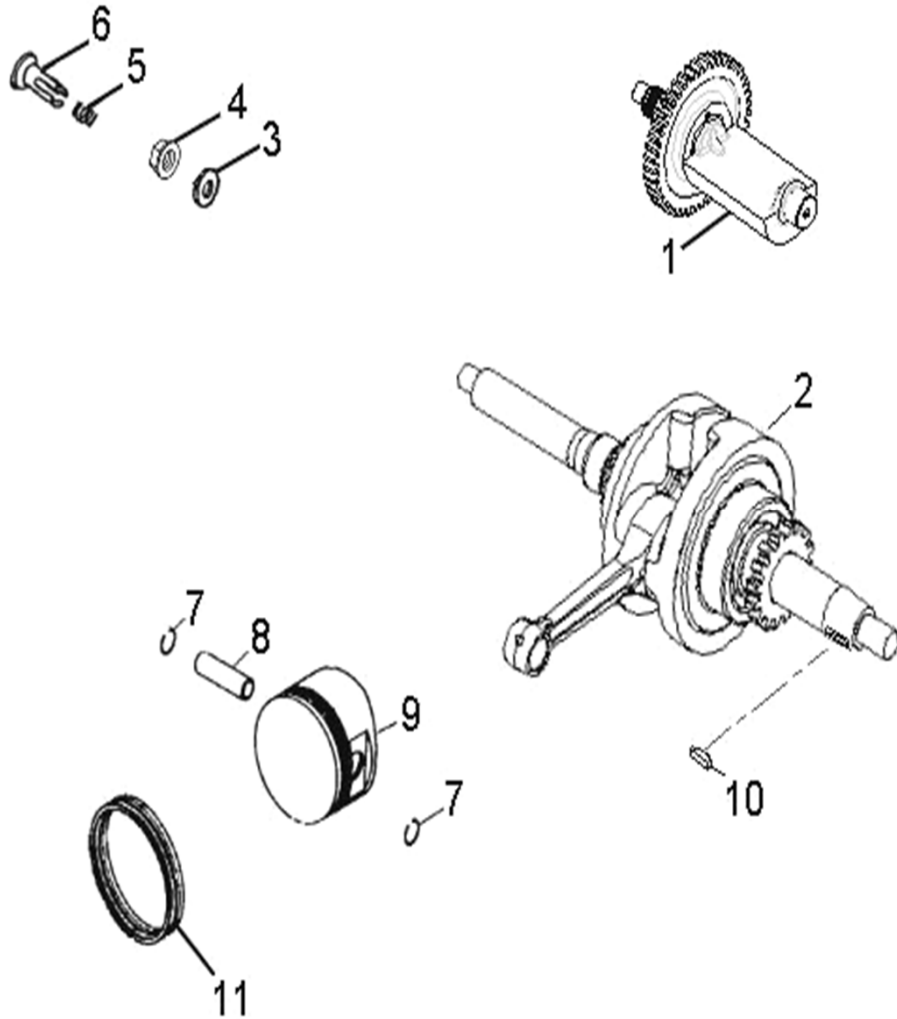
AEON
ATV SPECIALIST

D-1: CYLINDER HEAD



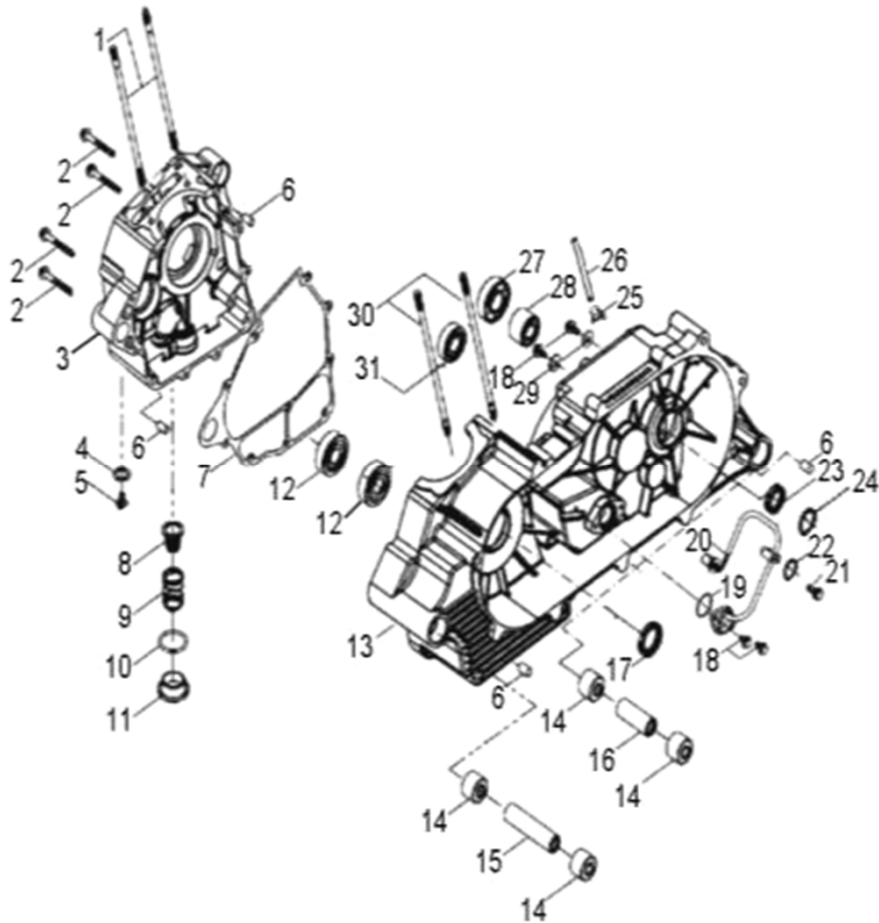
ITEM	DESCRIPTION	P/N	Q'TY
1	Bolt	96000-060258-08C	4
2	Cover, Cylinder Head	1230950A-000	1
3	Gasket	1230350A-000	1
4	Breather, Crankcase, Lower	1230250A-000	1
5	Screw	93903-1040088-00K	4
6	O-Ring, Head Cover	1239150A-000	1
7	Retainer, Valve, Spring	14771119-000	2
8	Spring, Valve, Outer	1475150A-000	2
9	Spring, Valve, Inner	1476150A-000	2
10	Clip, Retainer	14781119-000	4
11	Seal, Valve	12209119-000	2
12	Seat, Valve, Spring, Outer	14775119-000	2
13	O-Ring	93210-00915	2
14	Pin, Dowel	94301-10140	6
15	Bolt	96000-061108-08C	2
16	Washer	94101-0613010-00C	2
17	Stud	91001-060328-00C	2
18	Nut	94050-06000-00C	4
19	O-Ring	93210-03431	1
20	Manifold	1710155L-000	1
21	Asm., Manifold, Intake	1710055L-000	1
22	Stud	91001-060288-00C	2
23	Valve, Exhaust	1472150A-000	1
24	Valve, Intake	1471150A-000	1
25	Stud	91001-080328-00C	2
26	Head, Cylinder	1220150A-000	1
27	Plug, Spark	9807650A-000	1
28	Gasket Set	1225050A-000	1
29	Cylinder	1210055S-000	1
30	Gasket, Cylinder	1219150A-000	1

D-2: PISTON/CRANKSHAFT



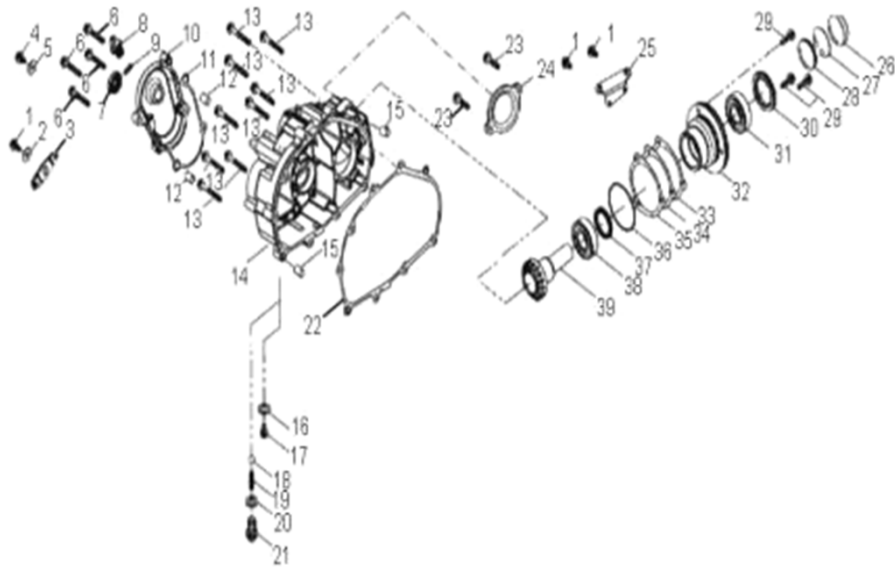
ITEM	DESCRIPTION	P/N	Q'TY
1	Shaft, Balance, Comp.	1342055S-000	1
2	Asm., Crankshaft	1300055S-000	1
3	Washer	94101-1426020-00C	1
4	Nut	94001-14000-00C	1
5	Spring, Oil	1544739A-000	1
6	Tube, Oil, Crankshaft	1544139A-000	1
7	Clip, Piston Pin	1311550A-000	2
8	Pin, Piston	1311150A-000	1
9	Piston	1310050A-000	1
10	Key, Woodruff	90471-25404	1
11	Ring Set, Piston	1301150A-000	1

D-3: CRANKCASE



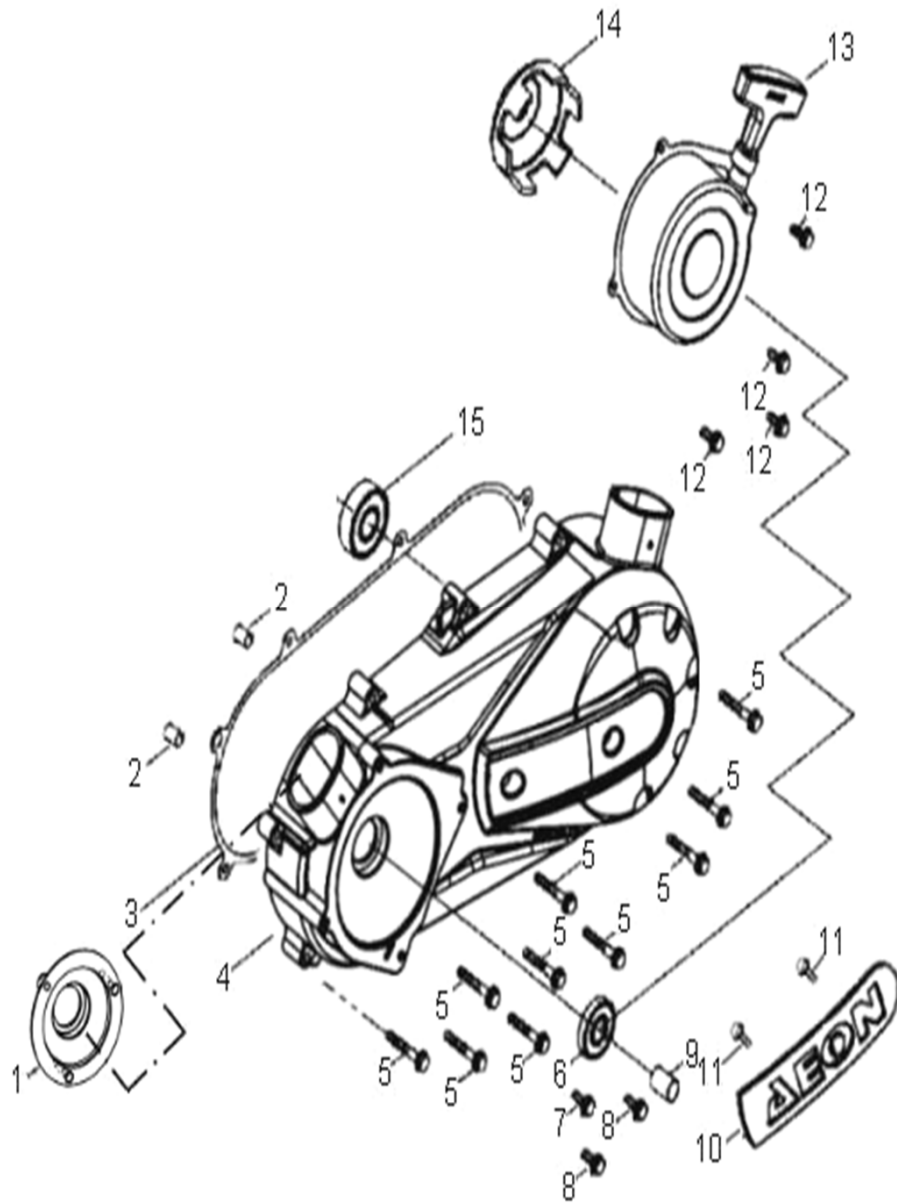
ITEM	DESCRIPTION	P/N	Q'TY
1	Stud	91001-082188-00C	2
2	Bolt	96000-060508-08C	4
3	Crankcase, RH	1110150A-000	1
4	Washer	94101-1221320-00L	1
5	Bolt	96003-120158-17C	1
6	Pin, Dowel	94301-10140	2
7	Gasket	1119150A-000	1
8	Screen	15421119-000	1
9	Spring, Screen	15426119-000	1
10	O-Ring	93210-03132	1
11	Plug, Drain, Oil	11334119-000	1
12	Bearing, Ball	96100-63040-00000	3
13	Crankcase, LH	1120150A-000	1
14	Bushing, Rubber	96400-102824	4
15	Spacer, Collar	1115050A-000	1
16	Spacer, Collar, Rear	1115150A-000	1
17	Seal, Oil	96500-274207F5850	1
18	Bolt	96000-060128-08C	4
19	O-Ring	93210-02520	1
20	Asm., Sensor, Shifter	3575950S-000	1
21	Bolt	96000-060108-08C	1
22	Washer	94101-0624016-00G	1
23	Seal, Oil	96500-253807F5850	1
24	Clip, Cir	94511-2500S	1
25	Clamp	94515-12008	1
26	Hose	94408-08012-400	1
27	Bearing, Ball	96100-63050-00000	1
28	Bearing, Needle	96200-202715	1
29	Washer	94101-0618015-00K	2
30	Stud	91001-082258-00C	2
31	Bearing, Ball	96100-62040-00000	2

D-4: REAR DRIVE ASSEMBLY



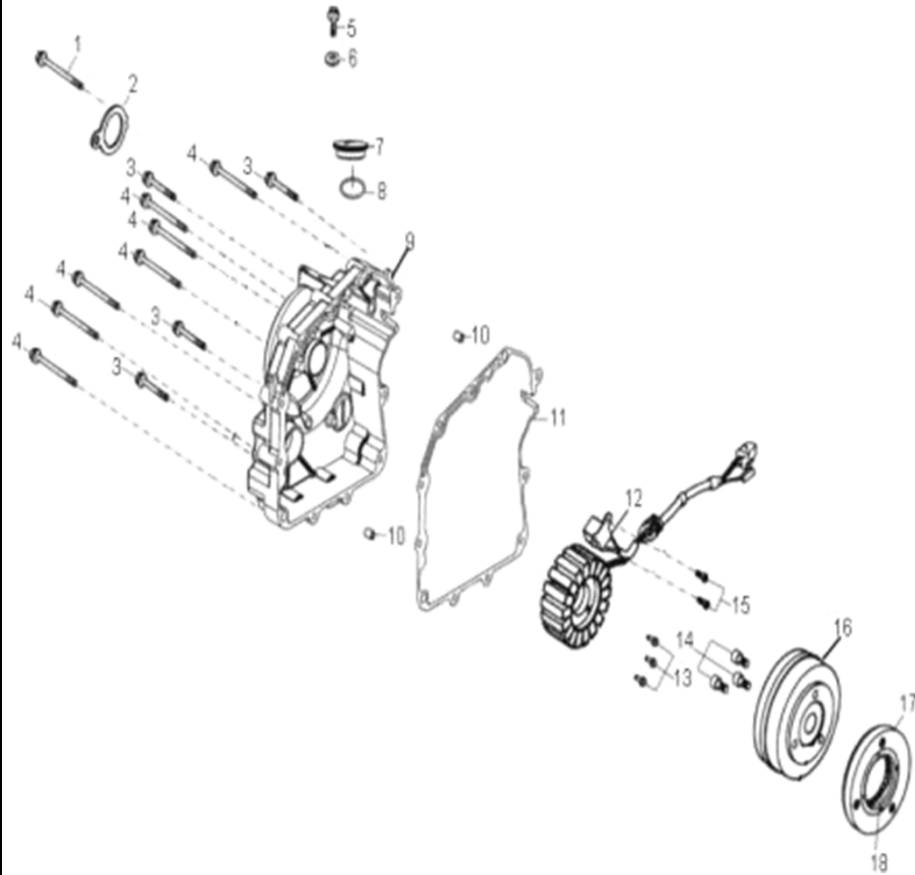
ITEM	DESCRIPTION	P/N	Q'TY
1	Bolt	96000-060168-00K	3
2	Washer	94101-0618015-00K	1
3	Lever, Shift	2131755L-000	1
4	Bolt	96000-060088-00K	1
5	Washer	94101-0612010-00U	1
6	Bolt	96000-060358-08C	4
7	Seal, Oil	96500-142807A7271	1
8	Plug, Oil	15650111-001	1
9	O-Ring	93210-01425	1
10	Cover, Shift	2136150S-000	1
11	Gasket, Inspection Cover	2136250S-000	1
12	Pin, Dowel	94301-08140	2
13	Bolt	96000-080458-00C	9
14	Cover, Transmission	2130155L-000	1
15	Pin, Dowel	94301-10140	4
16	Washer	94101-1221320-00L	1
17	Bolt	96000-120158-14C	1
18	Ball, Steel	2132239A-000	1
19	Spring, Detent	2430655E-000	1
20	Washer	94101-1422010-00L	1
21	Bolt	2430539A-000	1
22	Gasket, Transmission Cover	2139550A-000	1
23	Bolt	96000-060168-08C	2
24	Inspection Cover	2136355L-000	1
25	Housing	2134150A-000	1
26	Collar	2347150A-000	1
27	Clip, Cir	94511-2100S	1
28	Washer	94101-2136010-00C	1
29	Bolt	91000-080258-00K	3
30	Nut	90204-64000-00C	1
31	Bearing, Ball	96100-6305-LLUC3/ZG	1
32	Collar, Gear Shaft	2130655L-000	1
33	Shim	23476204-000	1
34	Shim	23476205-000	1
35	Shim	23476206-000	1
36	O-Ring	93210-06020	1
37	Seal, Oil	96500-304005A7271	1
38	Bearing, Ball	96100-60060-00000	1
39	Gear, Shaft, Output	2347050S-000	1

D-5: LEFT CRANKCASE COVER



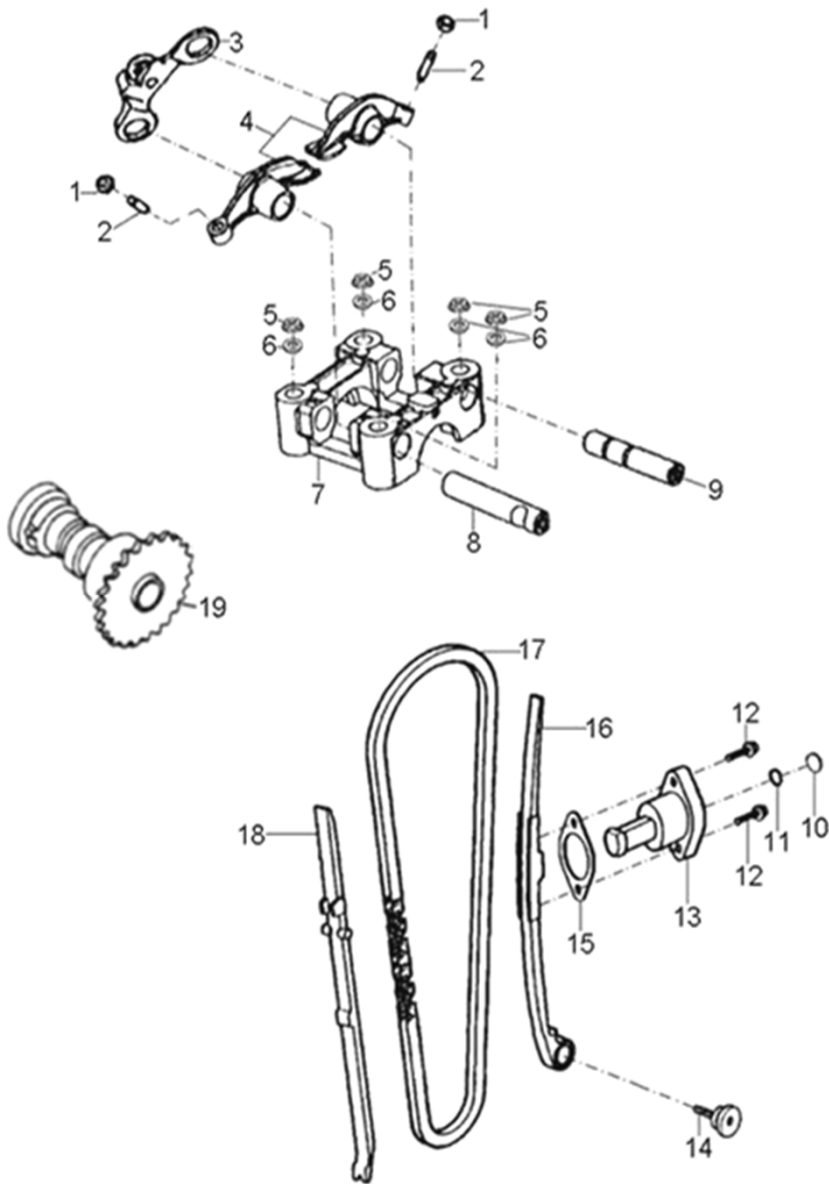
ITEM	DESCRIPTION	P/N	Q'TY
1	Derby Cover	1135550A-000	1
2	Pin, Dowel	94301-08140	2
3	Gasket	1135950A-000	1
4	Cover, Clutch	1134150A-000	1
5	Bolt	96000-060408-08C	10
6	Bearing, Ball	96100-69050-LLU00	1
7	Bolt	96000-060168-08C	1
8	Bolt	96000-060258-08C	2
9	Bushing, Sheave	2210650A-000	1
10	Tablet, Logo	1134750A-000	1
11	Bolt	96000-050128-00K	2
12	Bolt	96000-060168-10K	4
13	Recoil, Starter	1135050A-000	1
14	Ratchet, Recoil	2210750A-000	1
15	Bearing, Ball	96100-6004-LLUC3/ZG	1

D-6: RIGHT CRANKCASE COVER



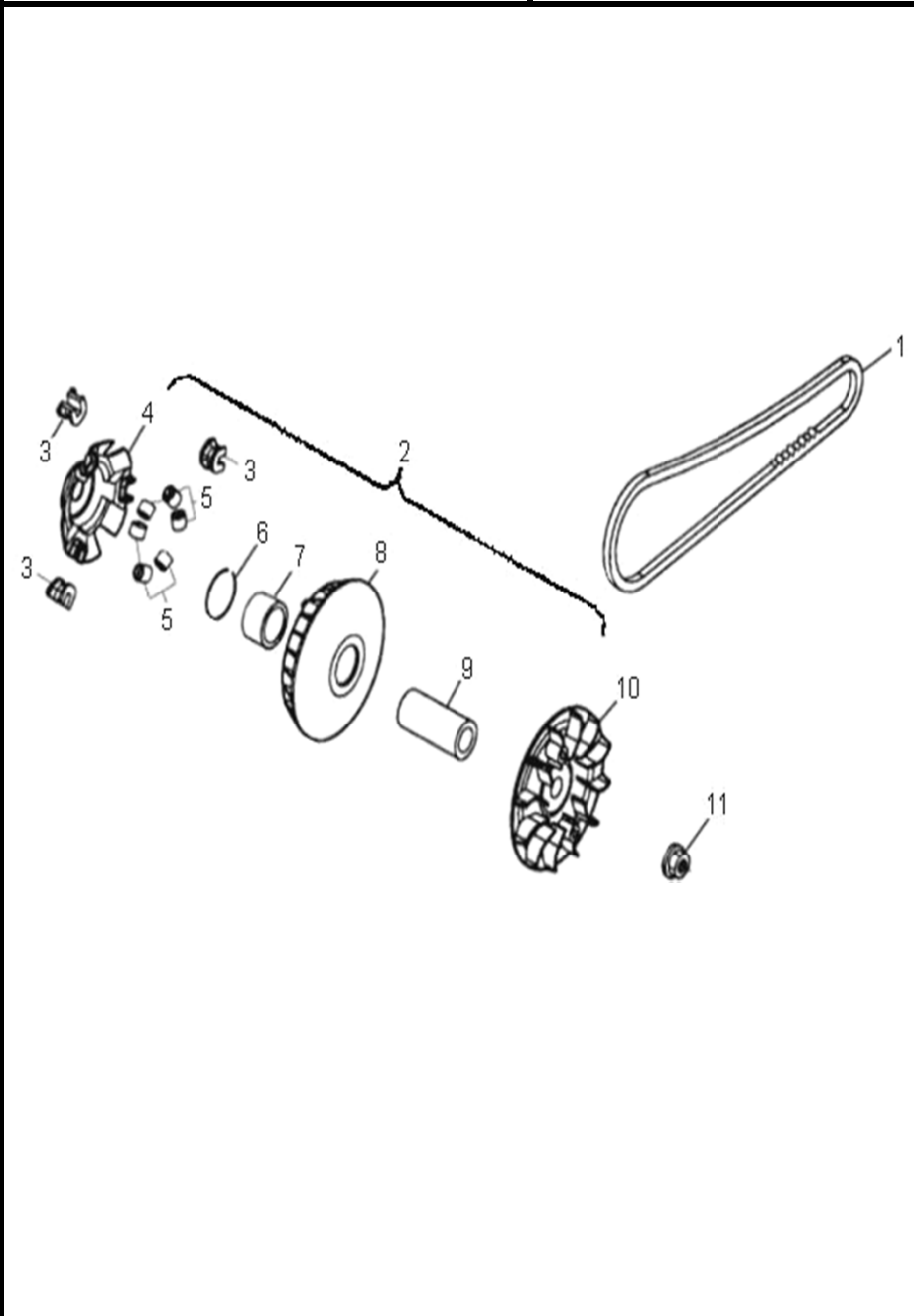
ITEM	DESCRIPTION	P/N	Q'TY
1	Bolt	96000-060128-08C	1
2	Retainer, Sight Glass	1133350S-000	1
3	Bolt	96000-060458-08C	4
4	Bolt	96000-061358-08C	7
5	Bolt	96000-060108-00K	1
6	Washer	94101-0612010-00U	1
7	Cap (Nickel Silver)	96600-30075000000	1
8	O-Ring	93210-02724	1
9	Cover, Crankcase, RH	1133050A-000	1
10	Pin, Dowel	94301-10140	2
11	Gasket, Crankcase, RH	1139350A-000	1
12	Stator	3112039A-000	1
13	Screw	91300-050258-00C	3
14	Bolt	91000-080188-00C	3
15	Bolt	92000-050128-00C	2
16	Flywheel	3111050A-000	1
17	Outer, One Way	2812150B-000	1
18	Asm., Rollor, One Way	2813050B-000	1

D-7: VALVE CAM



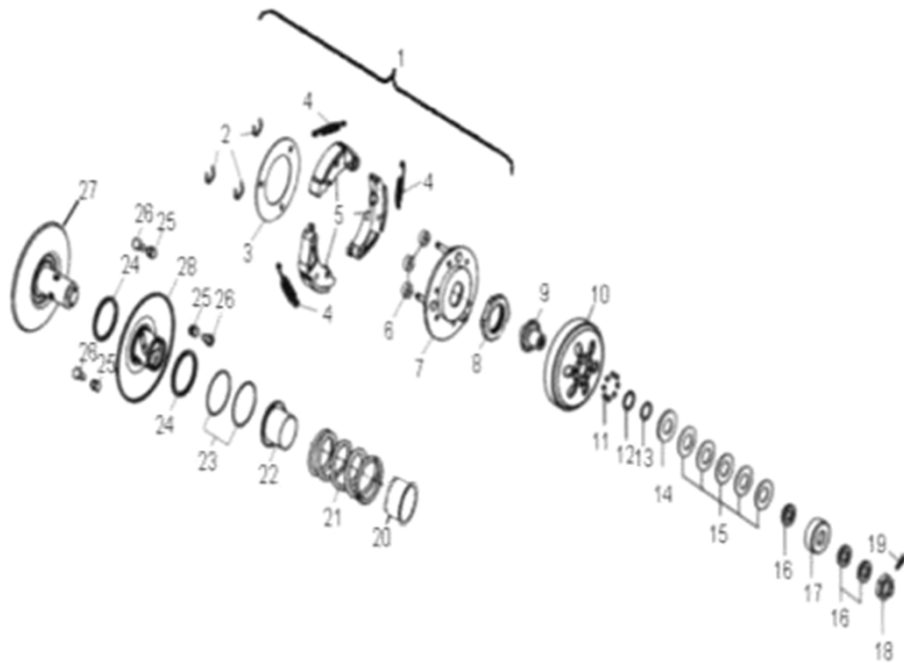
ITEM	DESCRIPTION	P/N	Q'TY
1	Nut, Tappet Adj.	90206-05000-00A	2
2	Screw, Tappet Adj.	90012-06015	2
3	Asm., Decomp. Release	1445650A-000	1
4	Arm, Valve, Rocker	1443150A-000	2
5	Nut	94050-08000-00C	4
6	Washer	94101-0818023-00U	4
7	Bracket, Cam Shaft	1221150A-000	1
8	Shaft, Exhaust, Rocker Arm	1445350A-000	1
9	Shaft, Intake, Rocker Arm	1445250A-000	1
10	Screw	93000-060068-00K	1
11	O-Ring	93210-00915	1
12	Bolt	96000-060228-14C	2
13	Tensioner	14521119-000	1
14	Pivot, Guide	1453550A-000	1
15	Gasket, Tensioner	14523119-000	1
16	Guide, Cam Chain, RH	1455050A-000	1
17	Chain, Cam	1440155S-000	1
18	Guide, Cam Chain, LH	1450055L-000	1
19	Asm., Cam Shaft	1440050B-000	1

D-8: DRIVE CLUTCH



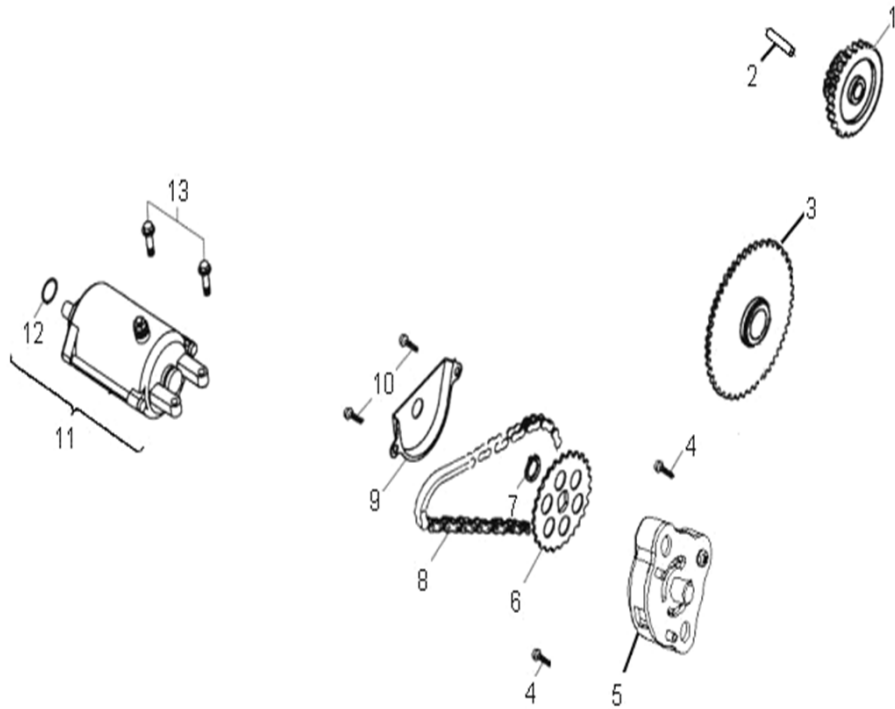
ITEM	DESCRIPTION	P/N	Q'TY
1	Belt, Driven	2310050B-000	1
2	Asm., Sliding	2210350A-000	1
3	Bushing, Slider	2213250A-000	3
4	Plate, Sheave	2213150A-000	1
5	Roller	2212150A-000	6
6	Clip, Cir	94518-3300R	1
7	Bushing	96401-273337	1
8	Sheave	2211150A-000	1
9	Bushing, Sheave	22106203-000	1
10	Sheave, moveable	2210250A-000	1
11	Nut	94050-14021-00C	1

D-9: DRIVEN CLUTCH



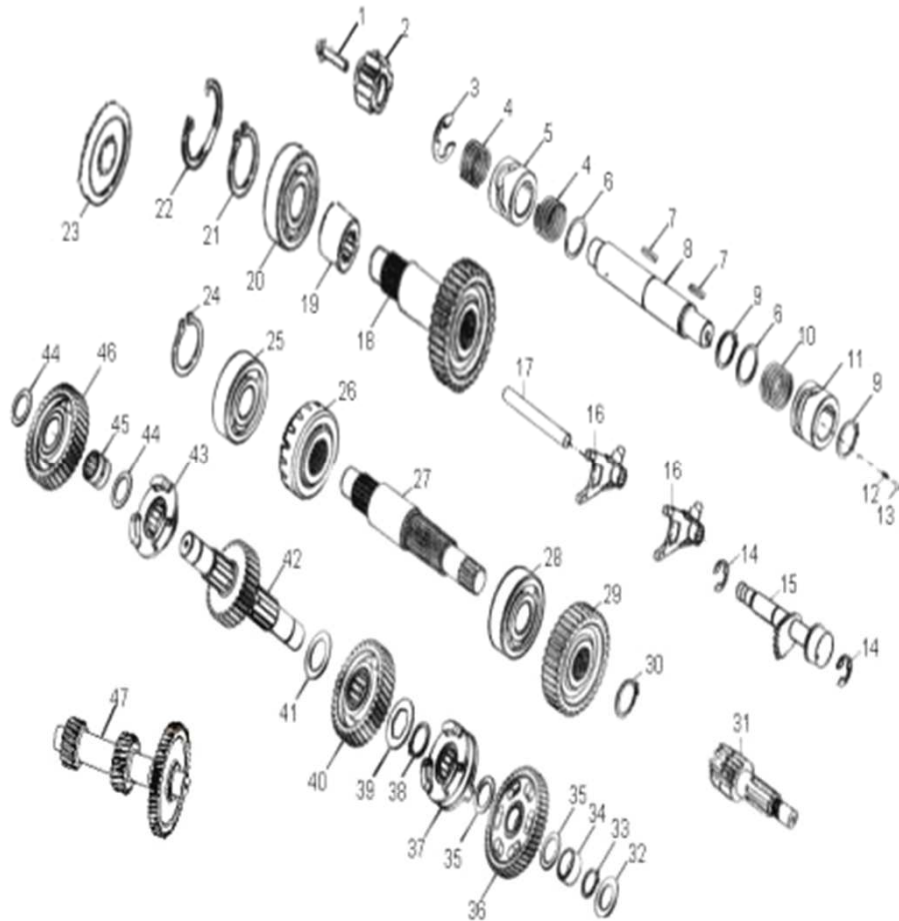
ITEM	DESCRIPTION	P/N	Q'TY
1	Asm., Drive Clutch	2200150A-000	1
2	Clip, Cir	94511-0700E	3
3	Plate, Drive, Side	2235150A-000	1
4	Spring, Clutch	2240150A-000	3
5	Weight, Clutch	2253550A-000	3
6	Bushing, Rubber	2280450A-000	3
7	Plate, Drive, Inner	2235050A-000	1
8	Nut	95111-0001C-000	1
9	Hold, Cam	2210139A-000	1
10	Clutch, Outer	2210050A-000	1
11	Ball, Steel	96211-07000	8
12	Washer	94101-2531010-00K	1
13	Clip, Cir	94511-250IS	1
14	Retainer, Ball	2210439A-000	1
15	Washer, Special	94122-2550020-00K	5
16	Washer	94101-2538010-000	3
17	Guide, Cam	2210839A-000	1
18	Nut, Driven	2210539A-000	1
19	Bolt	91205-050088-0KL	1
20	Seal, Collor	2323950A-000	1
21	Spring, Clutch	2323350A-000	1
22	Seal, Collor	2323750A-000	1
23	O-Ring	93210-04720	2
24	Seal, Oil	96500-404704	1
25	Roller, Guide	2322650A-000	4
26	Pin, Guide	2322550A-000	4
27	Asm., Sheave, Driven	2320050A-000	1
28	Sheave, Moveable	2322050A-000	1

D-10: OIL PUMP/STARTING MOTOR

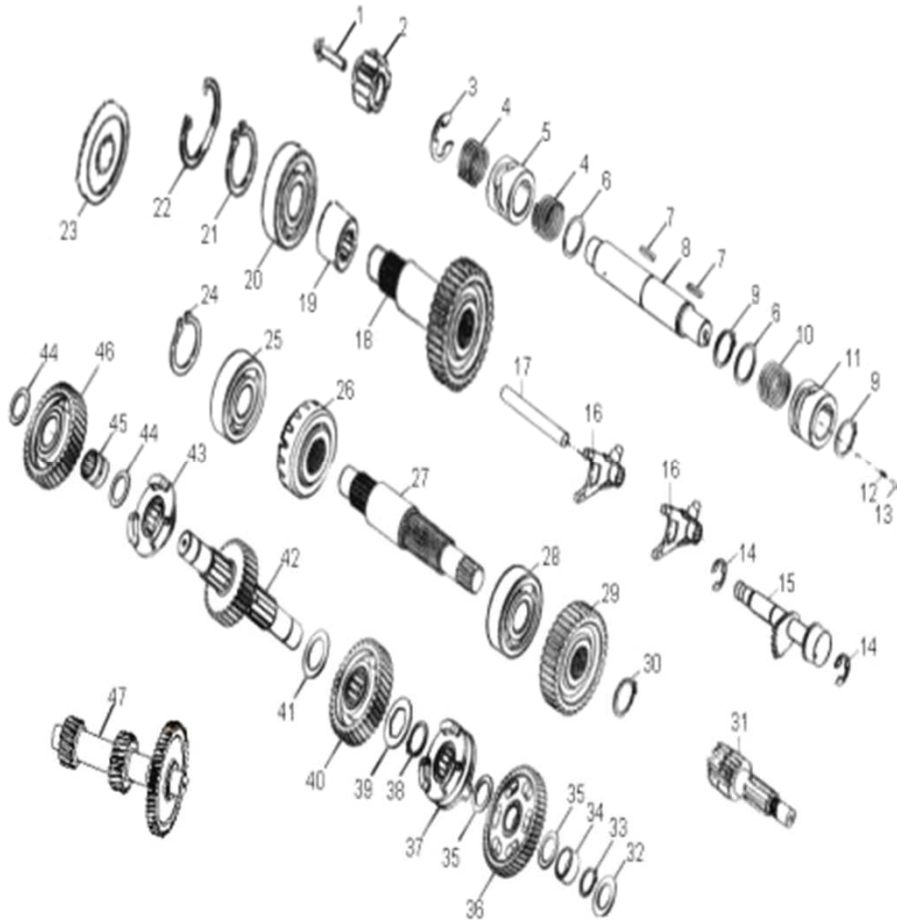


ITEM	DESCRIPTION	P/N	Q'TY
1	Gear, Starter	2842350A-000	1
2	Shaft, Starter Motor	2842450A-000	1
3	Gear, Starter	2822050B-000	1
4	Bolt	96000-060308-08C	2
5	Asm., Oil Pump	1500050A-000	1
6	Sprocket, Oil Pump	1515050A-000	1
7	Clip, Cir	94511-1000S	1
8	Chain, Oil Pump	1514150A-000	1
9	Cover, Oil Pump	1571150A-000	1
10	Bolt	96000-060128-08C	2
11	Motor, Starter	3120050A-000	1
12	O-Ring	93210-02431	1
13	Bolt	96000-060208-08C	2

D-11: TRANSMISSION

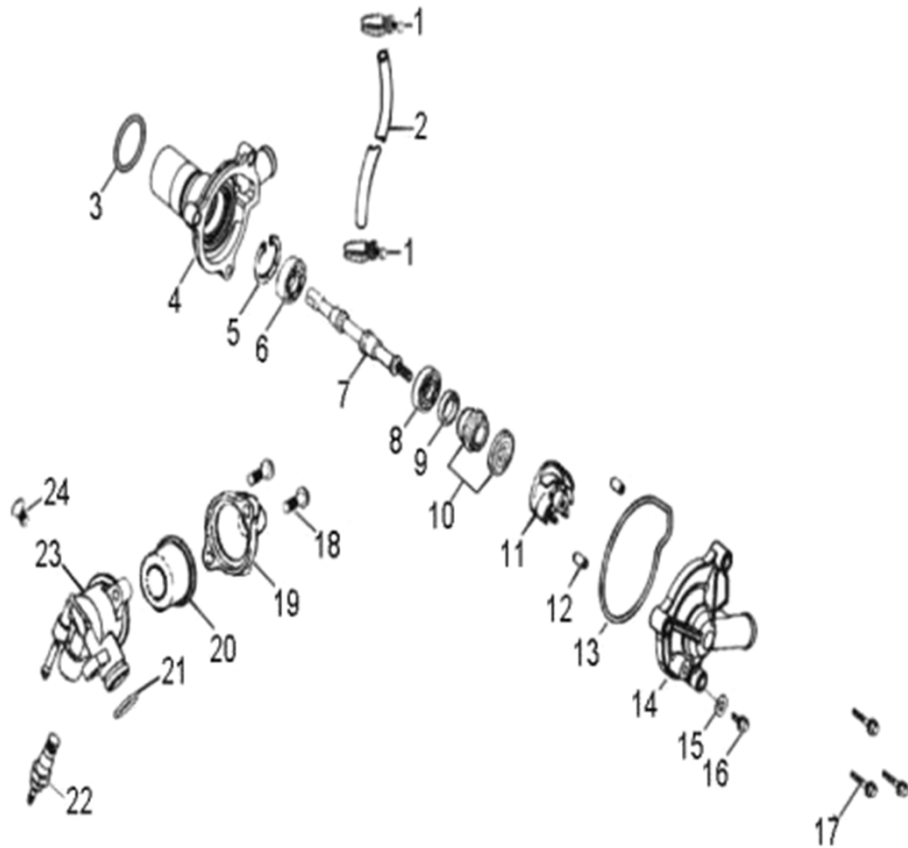


ITEM	DESCRIPTION	P/N	Q'TY
1	Bolt	96000-060288-10C	1
2	Gear , Drum Shift	2431050S-000	1
3	E-Clip	94513-1900E	1
4	Recoil, Shift	2430350S-000	2
5	Drum, Gear Shifter	2430155L-000	1
6	Washer	94101-2632005-000	2
7	Key, Woodruff	90472-40420	2
8	Shaft, Shift Drum	2430855L-000	1
9	Clip, Cir	94511-2600S	2
10	Recoil, Shift	2430750S-000	1
11	Drum, Gear Shifter	2430955L-000	1
12	Spring, Drum Sensor	2425339A-000	1
13	Roller, Drum Sensor	2425239A-000	1
14	E-Clip	94513-1200E	2
15	Spindle	2461150S-000	1
16	Fork, Shift	2423150A-000	2
17	Shaft, Gear Shift	2424155L-000	1
18	Ideal Gear, Over Drive	2344355L-000	1
19	Bearing, Needle	96200-304217	1
20	Bearing, Ball	96100-62050-00000	1
21	Clip, Cir	94511-2500S	1
22	Clip, Cir	94512-5200R	1
23	Seal, Oil	96500-255207A5451	1
24	Clip, Cir	94511-2000S	1
25	Bearing, Ball	96100-63040-000C3	1
26	Gear, Final Ring	2343350S-000	1
27	Shaft	2343150S-000	1
28	Bearing, Ball	96100-62060-00000	1
29	Gear	2343250S-000	1
30	Clip, Cir	94511-2400S	1
31	Shaft, Drive	2341150S-000	1
32	Washer	94101-2033010-000	1
33	Clip, Cir	94511-2000S	1
34	Collar, Shaft	2344250A-000	1
35	Washer	94101-2028010-000	2
36	Asm., Gear, Spur	2345050A-000	1
37	Ratchet, Shift	2243050A-000	1
38	Clip, Cir	94511-2500S	1
39	Washer, Spline	2343550A-000	1
40	Gear Set, Reverse	2346050A-000	1



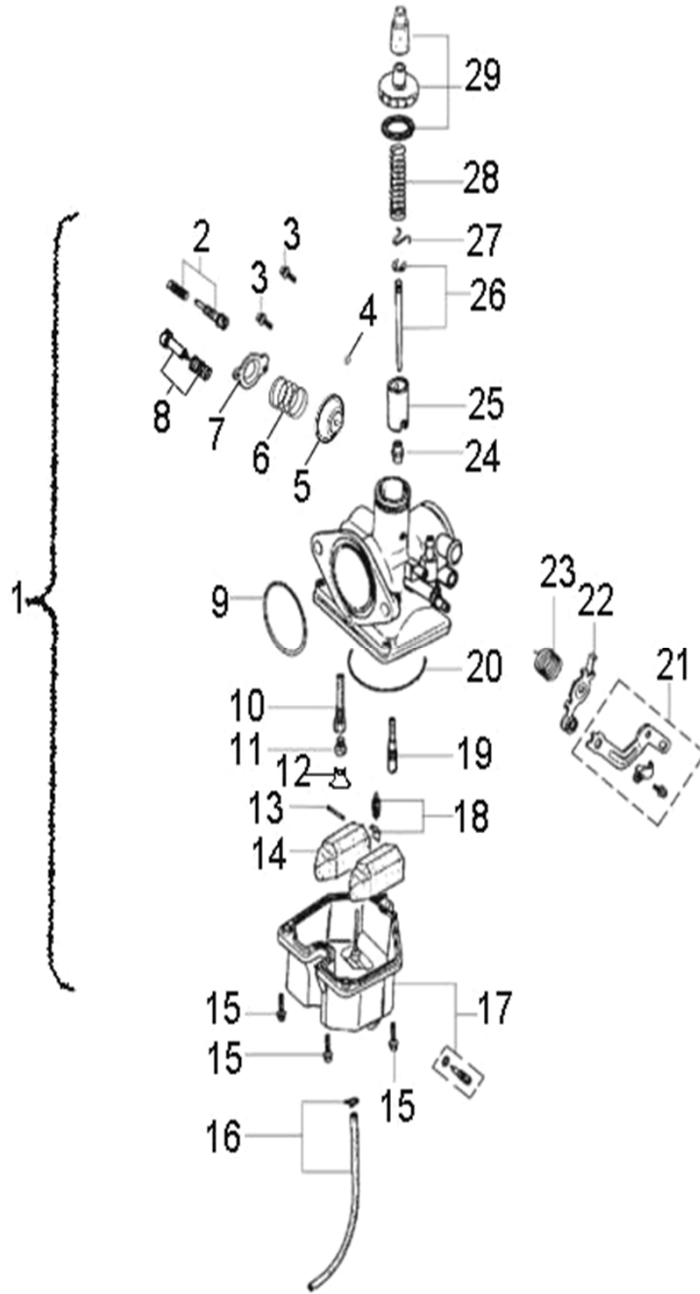
ITEM	DESCRIPTION	P/N	Q'TY
41	Washer	94101-2538010-000	1
42	Shaft, Transmission	2344155L-000	1
43	Rachet, Over Drive	2344555L-000	1
44	Washer	94101-2029010-000	2
45	Bearing, Needle	96200-202417	1
46	Gear, Over Drive	2344455L-000	1
47	Asm., Shaft, Counter	2342055L-000	1

D-12: WATER PUMP



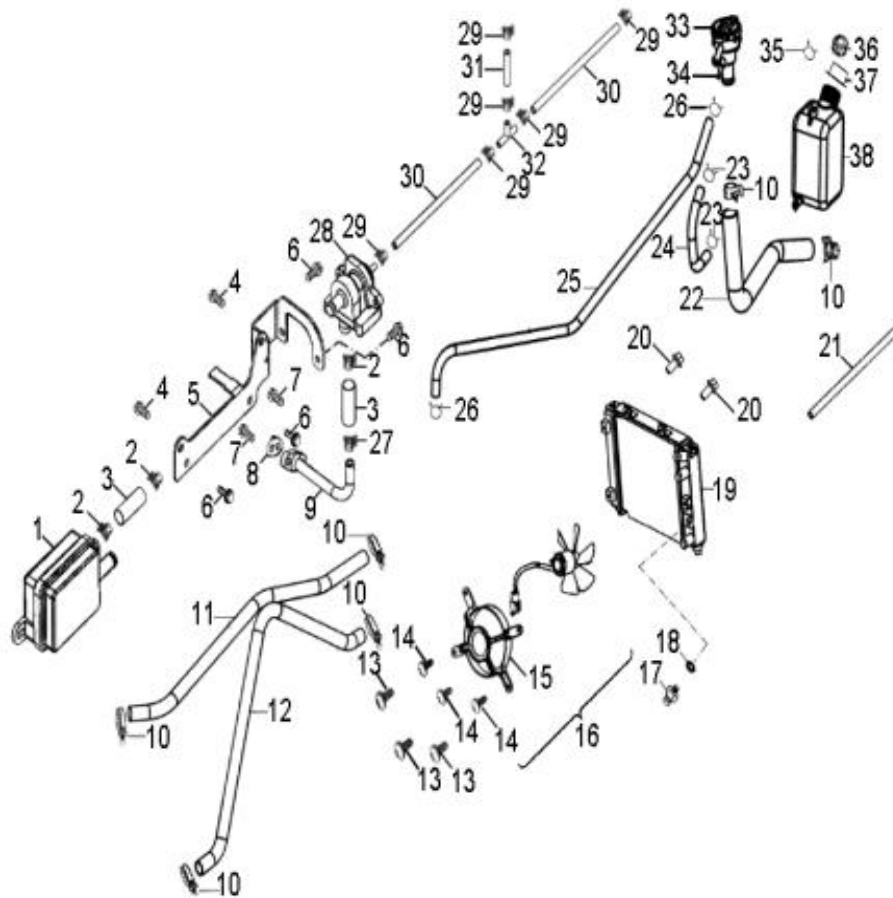
ITEM	DESCRIPTION	P/N	Q'TY
1	Clamp	1922250A-000	2
2	Hose	1950250A-000	1
3	O-Ring	93210-02920	1
4	Body, Water Pump	1921150A-000	1
5	Clip, Cir	94512-2600R	1
6	Bearing, Ball	96100-60000	1
7	Shaft, Water Pump	1923150A-000	1
8	Bearing, Ball	96100-69010	1
9	Seal, Oil	96500-122207	1
10	Seal, Mechanical	1921750A-000	1
11	Impeller, Water Pump	1921550A-000	1
12	Pin, Dowel	94301-08140	2
13	Gasket	1922950A-000	1
14	Flange, Water Pump	1922150A-000	1
15	Washer	94101-0612010-00U	1
16	Bolt	96000-060128-08C	1
17	Bolt	96000-060408-08C	3
18	Bolt	93500-050168-00C	2
19	Flange, Thermosatic	1931550A-000	1
20	Bimetal, Thermosatic	1930050A-000	1
21	O-Ring	93210-01819	1
22	Sensor, Thermosatic	1931950A-000	1
23	Housing, Thermosatic	1931150A-000	1
24	Bolt	96000-060188-08C	1

D-13: CARBURETOR



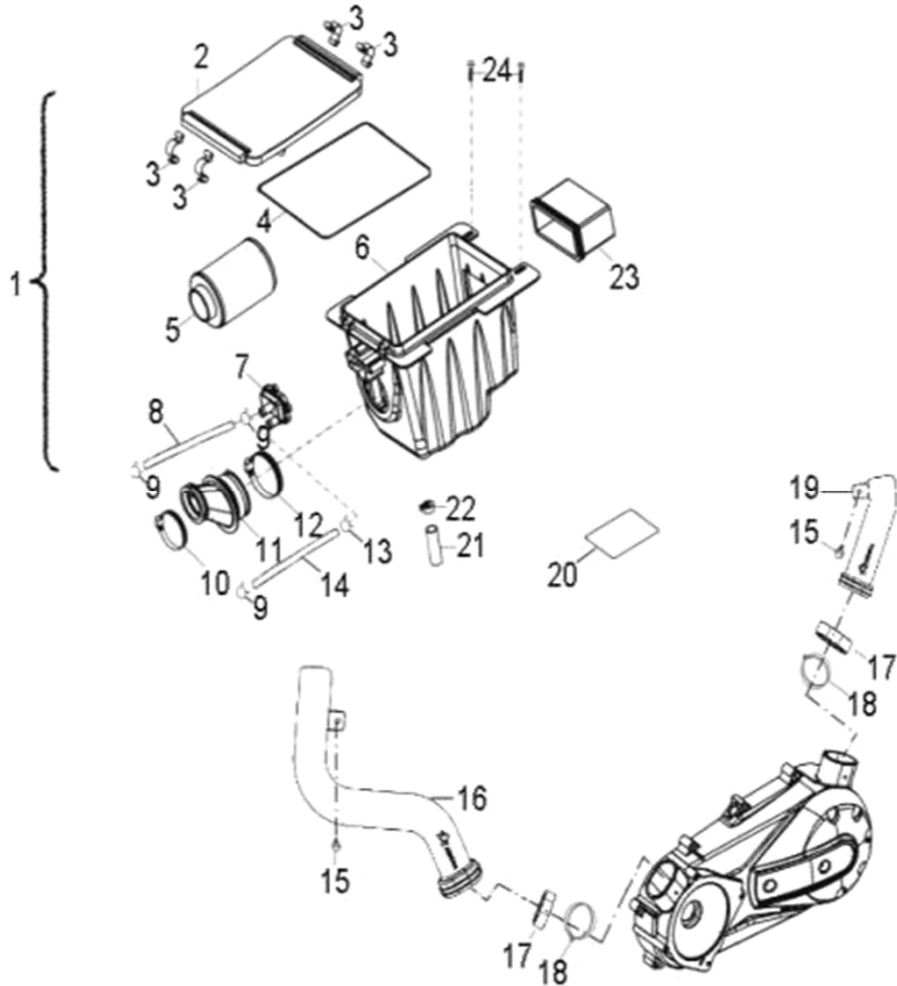
ITEM	DESCRIPTION	P/N	Q'TY
1	Asm., Carburetor	1610055E-000	1
2	Screw	1611539A-000	1
3	Screw	93502-040108-00C	2
4	Seal	3371655E-000	1
5	Check Valve, Air	1615655E-000	1
6	Spring	4054155E-000	1
7	Cover, Diaphragm	1615555E-000	1
8	Asm., Screw	1611439A-000	1
9	O-Ring	93210-02924	1
10	Valve, Needle	1610539A-000	1
11	Jet, Main	16108209-000	1
12	Fuel Retainer	16137201-000	1
13	Pin, Float	1611939A-000	1
14	Float	1612339A-000	1
15	Screw	93502-040168-00C	3
16	Drain Tube	1610939A-000	1
17	Float, Body	1610739A-000	1
18	Valve, Float	1611739A-000	1
19	Jet, Pilot	16110203-000	1
20	Seal, Float	1610639A-000	1
21	Support, Cable	1613039A-000	1
22	Choke, Lever	1613539A-000	1
23	Recoil, Choke	1612739A-000	1
24	Needle, Jet	1615039A-000	1
25	Throttle, Valve	1610339A-000	1
26	Asm., Jet Needle	1610439A-000	1
27	Clip, Needle	1614539A-000	1
28	Spring	1610239A-000	1
29	Asm., Cap	1614039A-000	1

D-14: RADIATOR



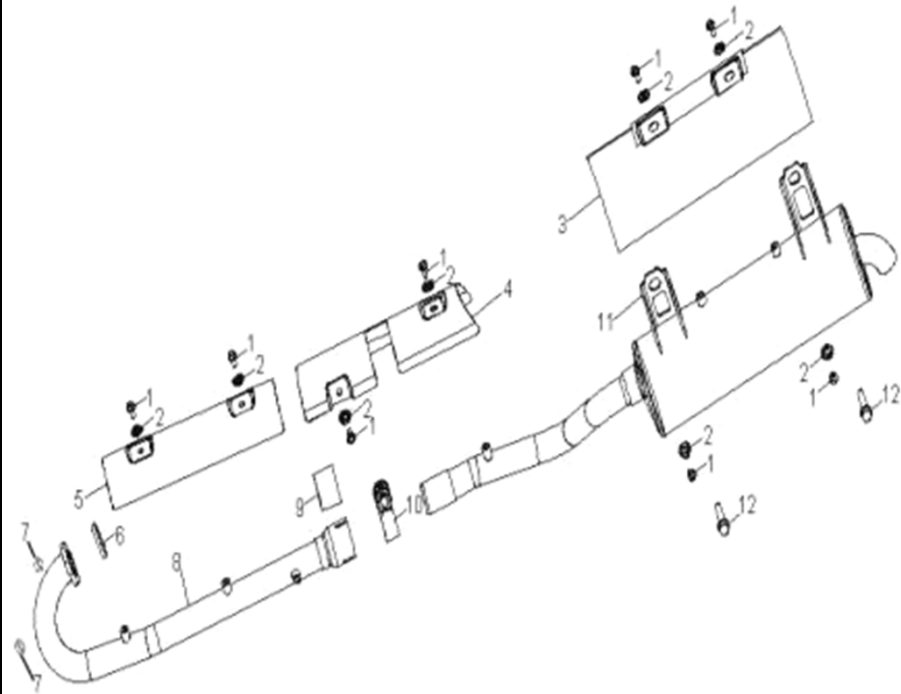
ITEM	DESCRIPTION	P/N	Q'TY
1	Asm., Filter, Dual-Intake	18995202-000	1
2	Clip	94510-15000	3
3	Hose, Rubber	96420-01016-052	2
4	Bolt	96000-060128-0KL	2
5	Bracket, Dual- Intake	1899850A-000	1
6	Bolt	96000-060148-00K	4
7	Bolt	96000-060168-08C	2
8	Gasket, Hose	1864639E-000	1
9	Tube, Dual- Intake	1864050A-000	1
10	Clamp	1922250A-000	6
11	Hose, Inlet, Radiator	1950350A-000	1
12	Hose, Outlet, Radiator	1950150A-000	1
13	Screw	93003-060168-00K	3
14	Screw	93502-040128-00C	3
15	Shroud, Fan	1901550A-000	1
16	Asm., Fan	1900550A-000	1
17	Switch, Thermosatic	1932550A-000	1
18	O-Ring	93210-01020	1
19	Radiator	1901150A-000	1
20	Bolt	96007-060228-00K	2
21	Hose	94408-05007-230	1
22	Hose, Water Cap, Radiator	19504201-000	1
23	Clamp	94515-12008	2
24	Hose, Inlet, Expansion Tank	19506201-000	1
25	Hose, Bypass, Thermosatic	19505201-000	1
26	Clamp	94515-08006	2
27	Clip	94510-13000	1
28	Valve, Dual-Intake	1899955E-000	1
29	Clip	94510-06500	6
30	Hose	94407-04007-150	2
31	Hose	94407-04007-035	1
32	T-Joint	16126201-000	1
33	Cap, Water	1911150A-000	1
34	Tube, Water Cap	1911450A-000	1
35	Clip	94510-06000	1
36	Cap, Expansion Tank	1910250A-000	1
37	Boot, Duct	1726950A-000	1
38	Tank, Expansion	1910150A-000	1

D-15: AIR CLEANER



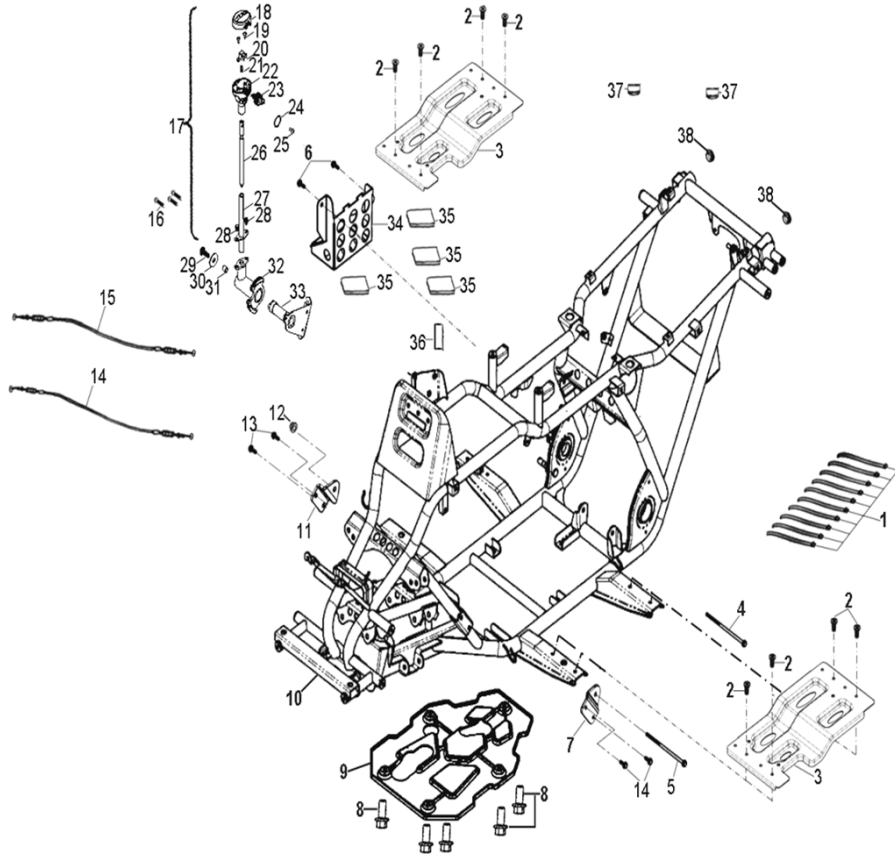
ITEM	DESCRIPTION	P/N	Q'TY
1	Asm., Cleaner, Air	1720055E-000	1
2	Cover, Air Cleaner	1720739A-000	1
3	Clip	1720839A-000	4
4	Gasket	3371639A-000	1
5	Filter, Air Cleaner	17205201-000	1
6	Box, Air Cleaner	17206207-000	1
7	Cover, Separator, Oil	17389201-000	1
8	Tube, Breather, Ventilated	17381208-000	1
9	Clip	94510-15000	3
10	Clamp	89669203-000	1
11	Boot	1725355E-000	1
12	Clamp	89669202-000	1
13	Clip	94510-12012	1
14	Tube, Breather, Ventilated	17381207-000	1
15	Bolt	92003-060168-00K	2
16	Duct, Inlet	1725555E-000	1
17	Boot, Duct	17269203-000	2
18	Clamp	89669204-000	2
19	Duct, Outlet	1725655E-000	1
20	Decal, Insulation	87011210-000	1
21	Hose, Drain	94414-01613-060	1
22	Clamp	94515-15010	1
23	Inlet, Air Box	1725755E-000	1
24	Bolt	92005-060168-00K	2

D-16: EXHAUST PIPE



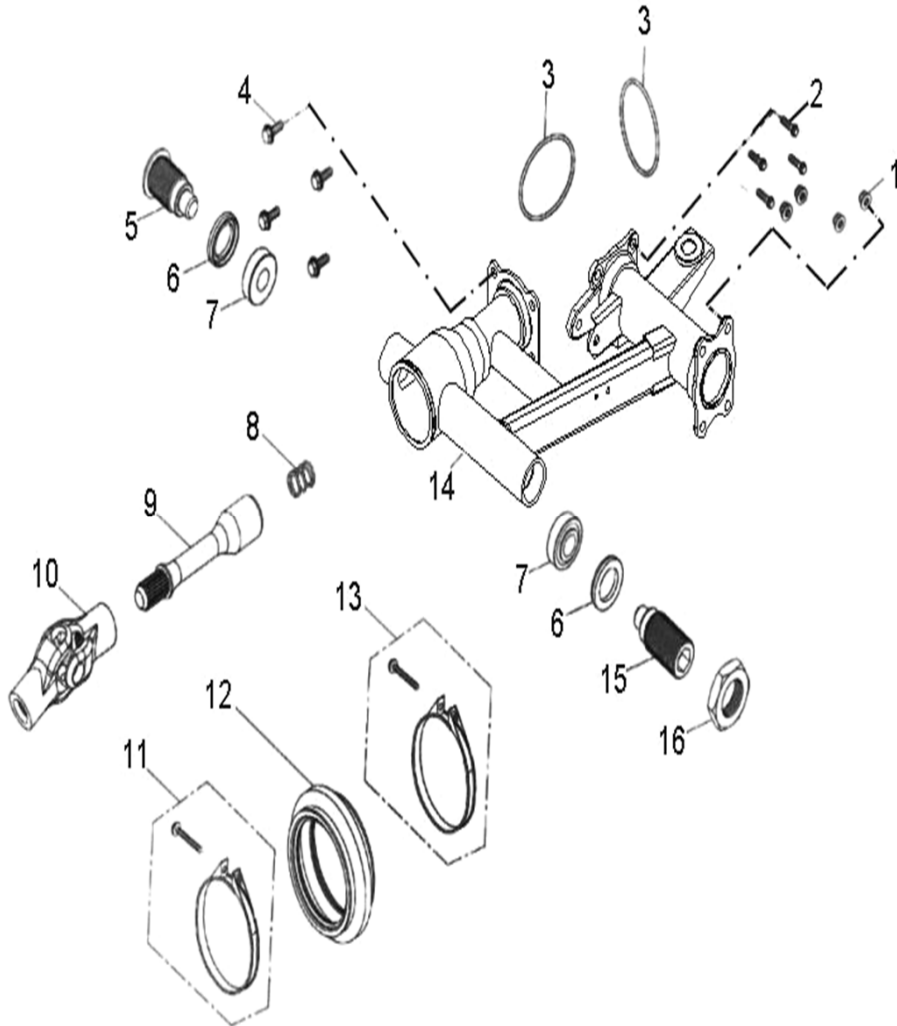
ITEM	DESCRIPTION	P/N	Q'TY
1	Bolt	96000-060128-00K	8
2	Washer, Star	94103-0600000-00C	8
3	Shield	18315215-000	1
4	Shield, Silencer	18315216-000	1
5	Shield, Head Pipe	1831555E-000	1
6	Gasket	94104-2837050-000	1
7	Nut	94050-08000-00C	2
8	Pipe, Exhaust, Front	1829955E-000	1
9	Collar	18321201-000	1
10	Spring	94514-45015	1
11	Pipe, Silencer	1829855E-000	1
12	Bolt	96000-080168-0KL	2

D-17: FRAME BODY



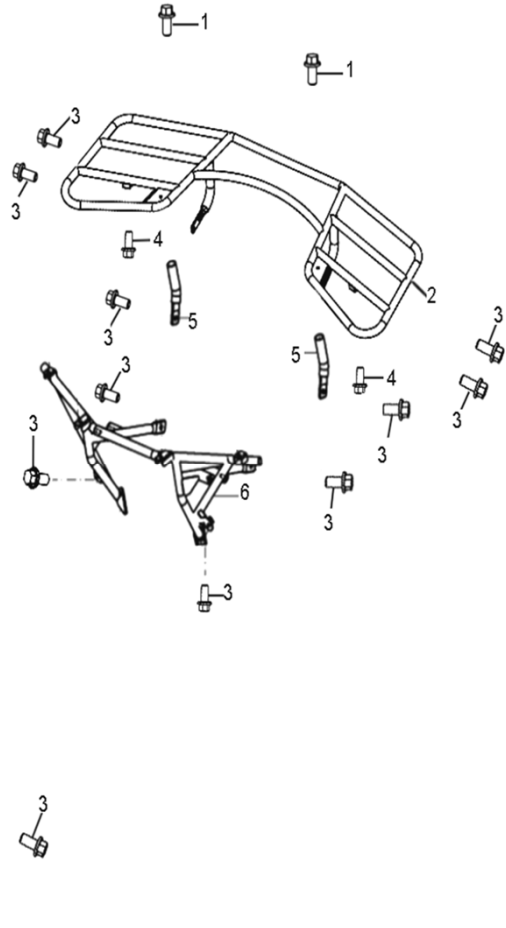
ITEM	DESCRIPTION	P/N	Q'TY
1	Strap	89569131-000	10
2	Bolt	96000-060128-0KL	8
3	Bracket, Footwell, RH	5110555E-000	2
4	Bolt	96000-101308-00B	1
5	Bolt	96000-102008-00B	1
6	Bolt	96000-080168-0KL	2
7	Mounting, Engine, LH	5090255E-000	1
8	Bolt	92005-060168-00K	5
9	Shield, Chassis	5010650A-000	1
10	Asm., Frame	5010055E-067	1
11	Mounting, Engine, RH	5090855E-000	1
12	Nut	90355-10000-0UB	1
13	Bolt	96000-080208-0KL	4
14	Cable, Shift	2133555B-000	1
15	Cable, Shift	2133555A-000	1
16	Bolt	96000-060128-10K	3
17	Asm., Shift Lever	2135055E-000	1
18	Cover	2132750A-000	1
19	Screw	93903-1040088-00K	2
20	Plate, Shift	2133655E-000	1
21	Spring, Shift	2132050A-000	1
22	Knob, Transmission Lever	2132850A-000	1
23	Rubber Cap	2133455E-000	1
24	Clip, Spring	94661-21012	1
25	Bolt	96009-080258-00K	1
26	Linkage, Shift Lever	2133850A-000	1
27	Sleeve, Shift Lever	2134555E-000	1
28	Bolt	96000-050088-00K	2
29	Screw	93100-050108-00K	1
30	Washer	94101-1030020-00K	1
31	Bush	81205202-000	1
32	Lever, Shift	2131955E-000	1
33	Mounting, Shift Lever	2134355E-000	1
34	Boot, Shift Arm	3150355E-000	1
35	Rubber	81113203-000	4
36	Trim, Rubber	50811202-000	1
37	Rubber, Seat	77220131-000	2
38	Cap, Rubber	19611202-000	2

D-18: REAR SWING ARM ASSEMBLY



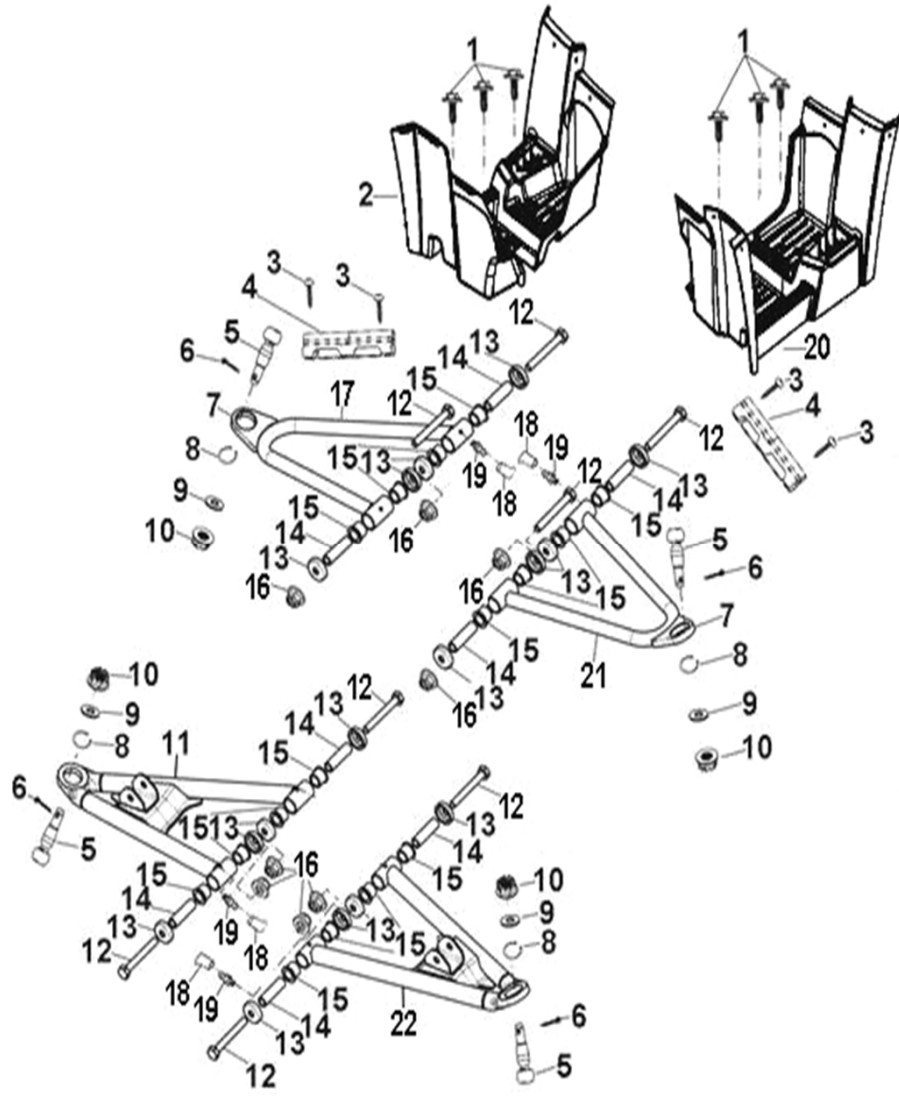
ITEM	DESCRIPTION	P/N	Q'TY
1	Nut	90350-10000-0UC	4
2	Bolt	96000-100308-0BL	4
3	O-Ring	93210-07531	2
4	Bolt	96000-100258-0BL	4
5	Bolt	91000-300608-00C	1
6	Seal, Oil	96500-264006A7271	2
7	Bearing	96150-17401-30000	2
8	Spring	4054139A-000	1
9	Shaft, Drive	5244055E-000	1
10	Joint, Universal	5245039A-000	1
11	Clamp	89669211-000	1
12	Boot	2130750A-000	1
13	Clamp	8966939A	1
14	Swing arm sub ass'y	5241055E-067	1
15	Bolt	91000-300698-00C	1
16	Nut	94001-30000-00C	1

D-19: BUMPER

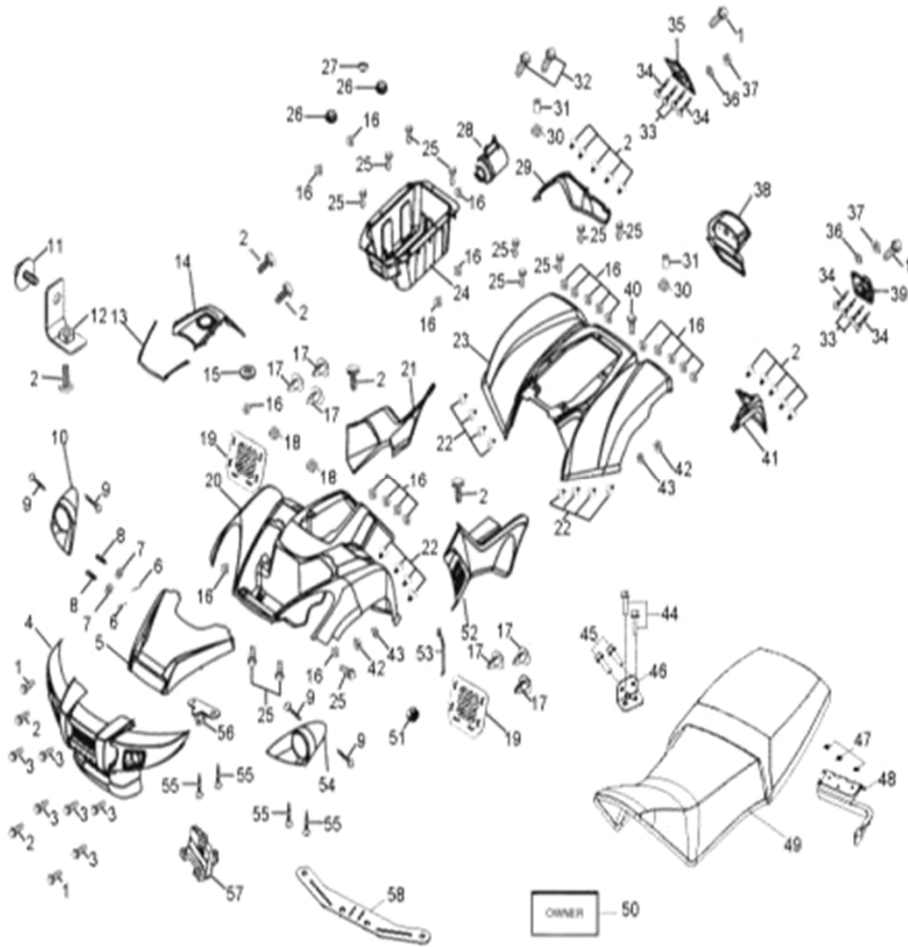


ITEM	DESCRIPTION	P/N	Q'TY
1	Bolt	96000-080148-0KL	2
2	Rear Rack	8111155E-067	1
3	Bolt	92001-080208-0KL	12
4	Bolt	96007-060228-00K	2
5	Bracket, Rear	81122203-067	2
6	Bracket, Bumper	5045055E-067	1
7	Bumper	5045555E-067	1
8	Bolt	96000-100608-0KL	1
9	Rubber, Fuel Tank	64319131-000	1

D-20: SWING ARM/FOOTREST

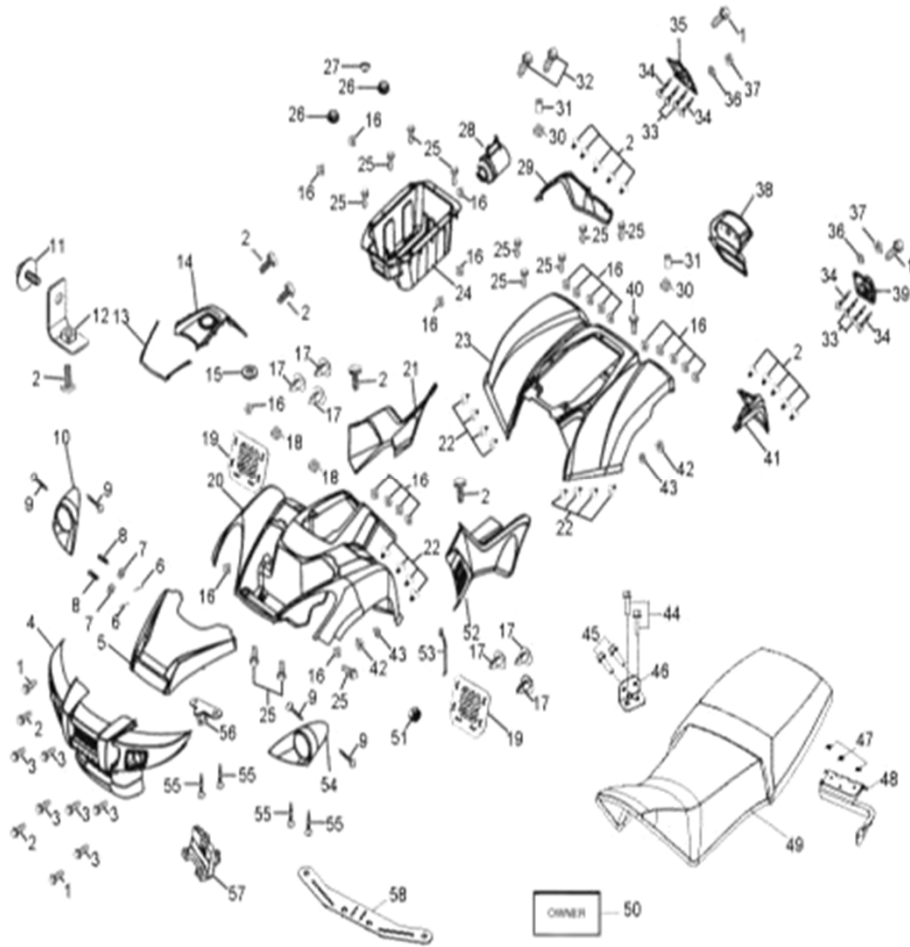


ITEM	DESCRIPTION	P/N	Q'TY
1	Bolt	96007-060168-00K	6
2	Footwell, RH	6430055E-000	1
3	Screw	93903-1050128-00K	4
4	Retainer, Brake Line, Front	53005202-000	2
5	Ball Joint	52451204-000	4
6	Pin, Cotter	94201-23250	4
7	Bracket, Ball Joint	5313639A-000	2
8	Clip, Cir	94511-3113S	4
9	Washer	94101-1225020-00C	4
10	Nut, Lock	90351-12000-00C	4
11	A-Arm, Lower, RH	53031203-067	1
12	Bolt	96000-100758-0KL	8
13	Cap, Rubber	52426156-000	16
14	Spacer	5314039A-000	8
15	Bushing	53135203-000	8
16	Nut	94050-10000-00C	8
17	A-Arm, Upper, RH	5303255E-067	1
18	Cap, Valve, Grease	51301131-000	8
19	Valve, Grease	51300131-000	4
20	Footwell, LH	6431055E-000	1
21	A-Arm, Upper, LH	5313255E-067	1
22	A-Arm, Lower, LH	53131203-067	1



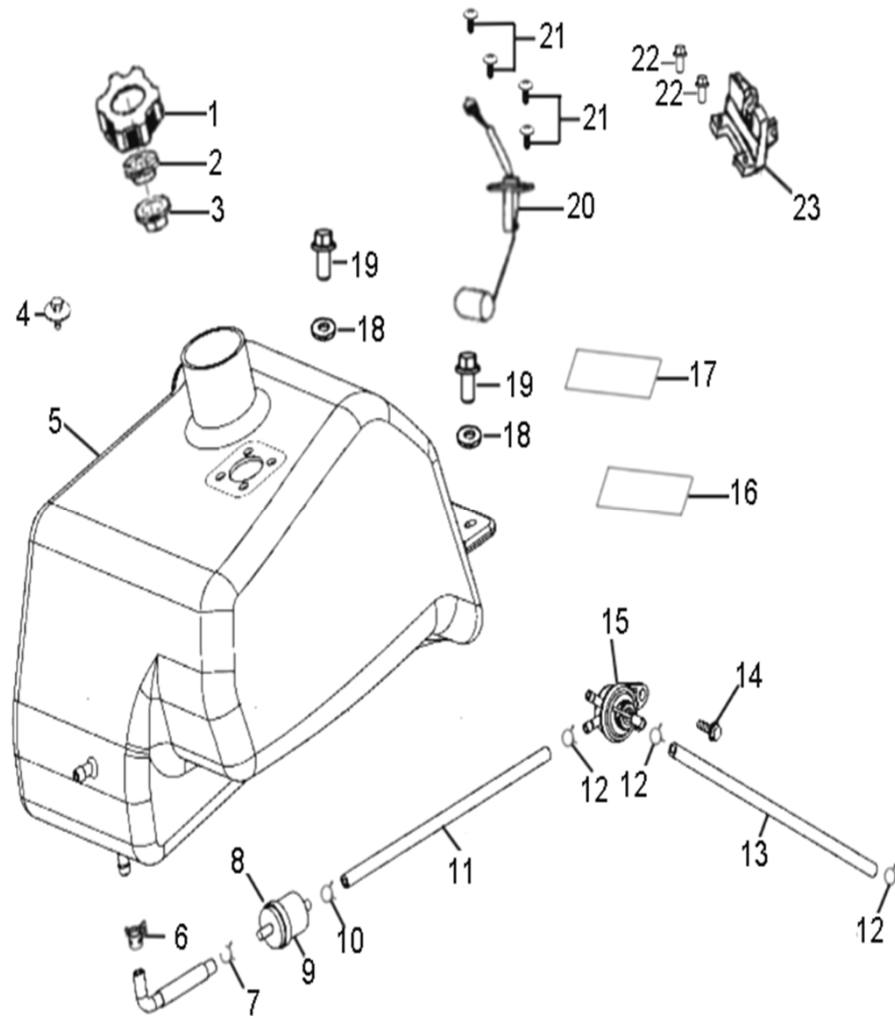
ITEM	DESCRIPTION	P/N	Q'TY
1	Bolt	96000-060108-00K	4
2	Bolt	93800-060168-00K	17
3	Bolt	93800-060128-00K	6
4	Bumper, Front	5046155E-000	1
5	Hood (red)	7722755E-507	1
5	Hood (green)	7722755E-620	2
6	Cotter Pin	94203-12200	2
7	Washer	94101-0816015-00C	2
8	Pin, Lever, Shift	77218201-000	2
9	Bolt	93100-050128-00K	4
10	Cover, Headlight, RH	3340455E-000	1
11	Bolt	96007-060228-00K	1
12	Bracket, Expansion Tank	19104201-000	1
13	Gasket	50812201-000	1
14	Cover, Fuel Tank	17555208-000	1
15	Washer	94101-0613010-00K	1
16	Nut, U-Plate	90344-06000-00C	22
17	Rivet, Plastic	61120153-000	6
18	Pad, Rubber	17502203-000	2
19	Net, Rubber	61103201-000	2
20	Cab, Front (red)	6110055E-507	1
21	Cab, Front (green)	6110055E-620	2
21	Panel, Side, RH	8350055E-000	1
22	Bolt	93100-050168-00K	16
23	Cab, Rear (red)	6100055E-507	1
24	Cab, Rear (green)	6100055E-620	2
24	Luggage Box	7722655E-000	1
25	Bolt	96007-060168-00K	12
26	Plug, Rubber	50424203-000	2
27	Boot	50423203-000	1
28	Toolbox	8912355E-000	1
29	Fender, Rear, RH	6281055E-000	1
30	Pad, Rubber	17502204-000	2
31	Bush	81205201-000	2
32	Bolt	96007-060168-00K	2
33	Screw	93903-3040148-02K	4
34	Screw	93903-2040128-00K	4
35	Cover, Rear Signal, RH	3380155E-000	1
36	Washer	94101-0619010-00C	2
37	Nut	94050-06000-00C	2

D-21: CAB/SEAT



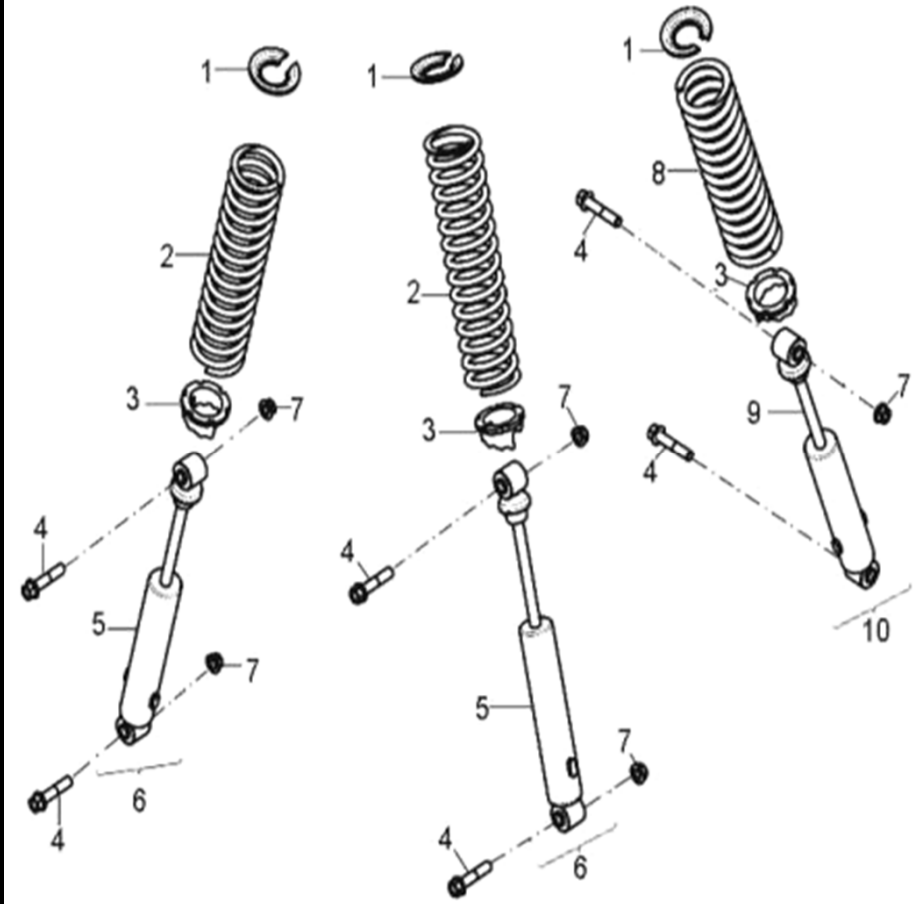
ITEM	DESCRIPTION	P/N	Q'TY
38	License Plate	3370855E-000	1
39	Cover, Rear Signal, LH	3385155E-000	1
40	Bolt	91000-060208-00K	1
41	Fender, Rear, LH	6282055E-000	1
42	Nut	90350-05000-00K	16
43	Washer	94101-0514010-00K	16
44	Bolt	93100-050168-00K	2
45	Screw	93903-1050128-00K	2
46	Bracket, Electrical	83604201-000	1
47	Nut	90350-06000-0UK	3
48	Hinge, Seat	77223201-000	1
49	Seat	77200251-000	1
50	Manual, Owner's	88510220-000	1
51	Nut	90350-06000-00K	1
52	Panel, Side, LH	83600215-000	1
53	Cable, Lock	77232202-000	1
54	Cover, Headlight, LH	3345455E-000	1
55	Screw	93903-1050128-00K	4
56	Lock Striker, Hood	77219201-000	1
57	Lock, Seat	77231180-000	1
58	Bracket, striker, key	77235201-000	1

D-22: FUEL TANK



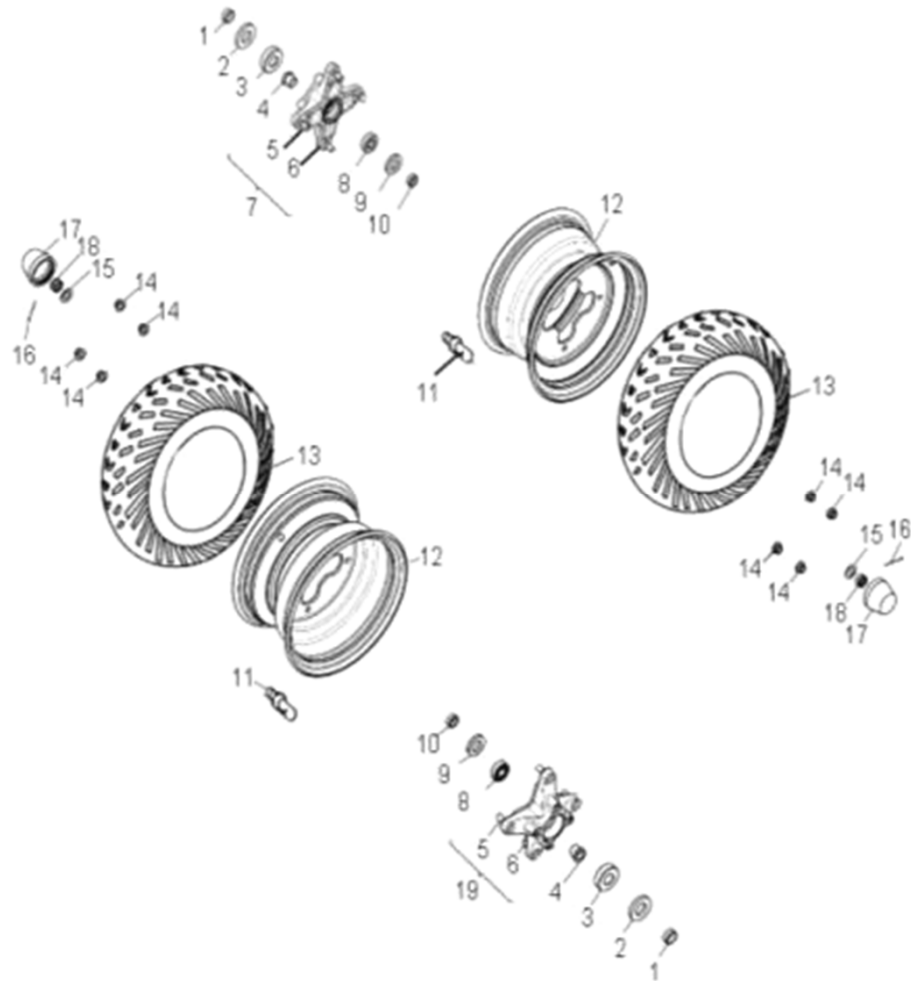
ITEM	DESCRIPTION	P/N	Q'TY
1	Cap, Fuel	17623203-000	1
2	Vent, Fuel Cap	1762139A-000	1
3	Diaphragm, Fuel Cap	1762539A-000	1
4	Bolt	92005-060168-00K	1
5	Asm., Tank, Fuel	1750055E-000	1
6	Clamp	94510-12000	1
7	Clip	94510-09012	1
8	Clamp	1795955E-000	1
9	Filter, Fuel	17952111-000	1
10	Clip	94510-09012	1
11	Asm., Hose, Fuel	94410-05009-012	1
12	Clip	94510-08012	3
13	Asm., Hose, Fuel	94410-05009-013	1
14	Bolt	96000-060168-10K	1
15	Valve, Fuel	17950111-000	1
16	Decal, Insulation	87011211-000	1
17	Decal, Insulation	87011212-000	1
18	Washer	94101-0822020-00C	2
19	Bolt	96000-080288-00K	2
20	Sensor, Fuel	37800203-000	1
21	Bolt	93100-050168-00K	4
22	Bolt	96000-060148-00K	2
23	Lock, Seat	77231180-000	1

D-23: SUSPENSION



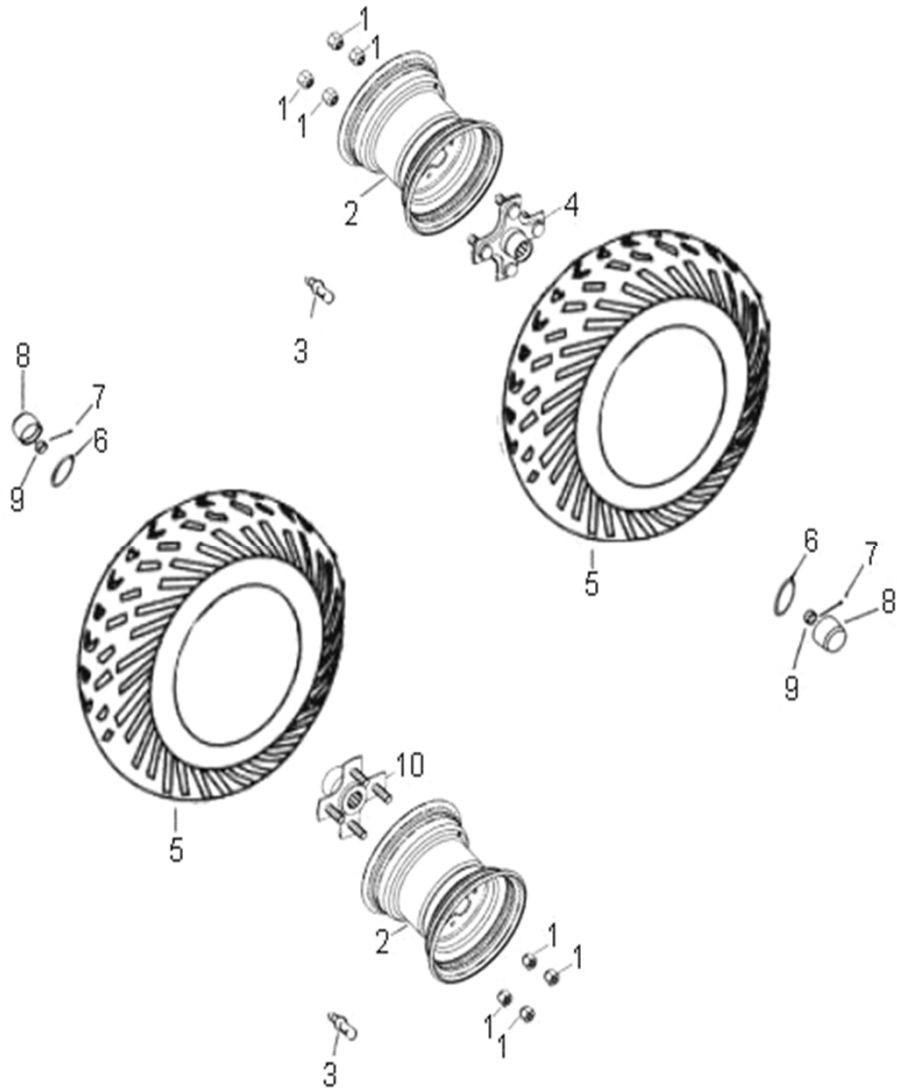
ITEM	DESCRIPTION	P/N	Q'TY
1	Retainer, Spring	52406153-000	3
2	Spring, Suspension, Front	5110155E-000	2
3	Collar, Adjustment	52404151-000	3
4	Bolt	96000-100508-0KL	6
5	Shock,Front	5110255E-000	2
6	Asm., Suspension, Front	5110055E-293	2
7	Nut	94050-10000-00C	5
8	Spring, Suspension, Rear	5240155E-000	1
9	Shock, Rear	5240255E-000	1
10	Asm., Suspension, Rear	5240055E-293	1

D-24: FRONT WHEEL



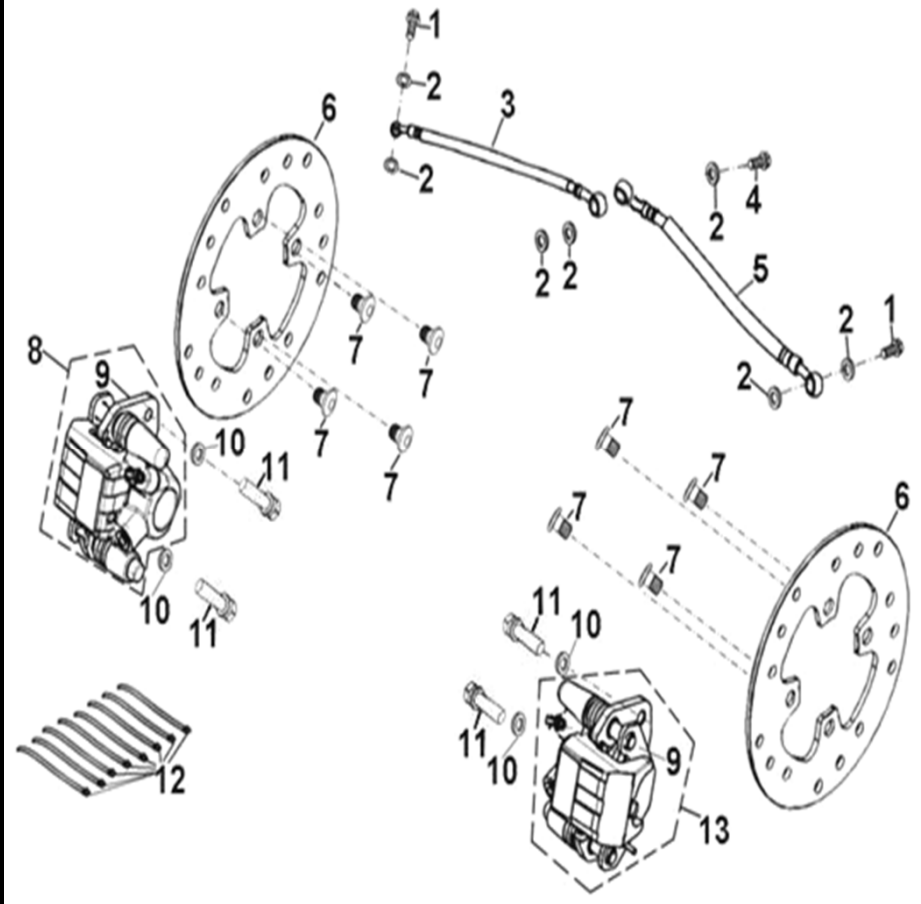
ITEM	DESCRIPTION	P/N	Q'TY
1	Spacer	4431139A-000	2
2	Seal, Oil	96500-25470700000	2
3	Bearing, Ball	96100-62040-Z0000	2
4	Spacer	4431539A-000	2
5	Stud	42712201-000	8
6	Hub	42011201-000	2
7	Hub, Wheel, Front	42010204-000	1
8	Bearing, Ball	96100-62020-Z0000	2
9	Seal, Oil	96500-223806A7271	2
10	Spacer	4431239A-000	2
11	Valve, Rim	42616131-000	2
12	Rim, Front	4270155E-067	2
13	Tire	42711227-000	2
14	Nut	90355-10000-0UB	8
15	Washer	94121-1426016-000	2
16	Pin, Cotter	94201-32320	2
17	Cap, Hub	4273039A-000	2
18	Nut, Insert Lock	90353-14015-00C	2
19	Hub, Wheel, Front	4201039A-000	1

D-25: REAR WHEEL



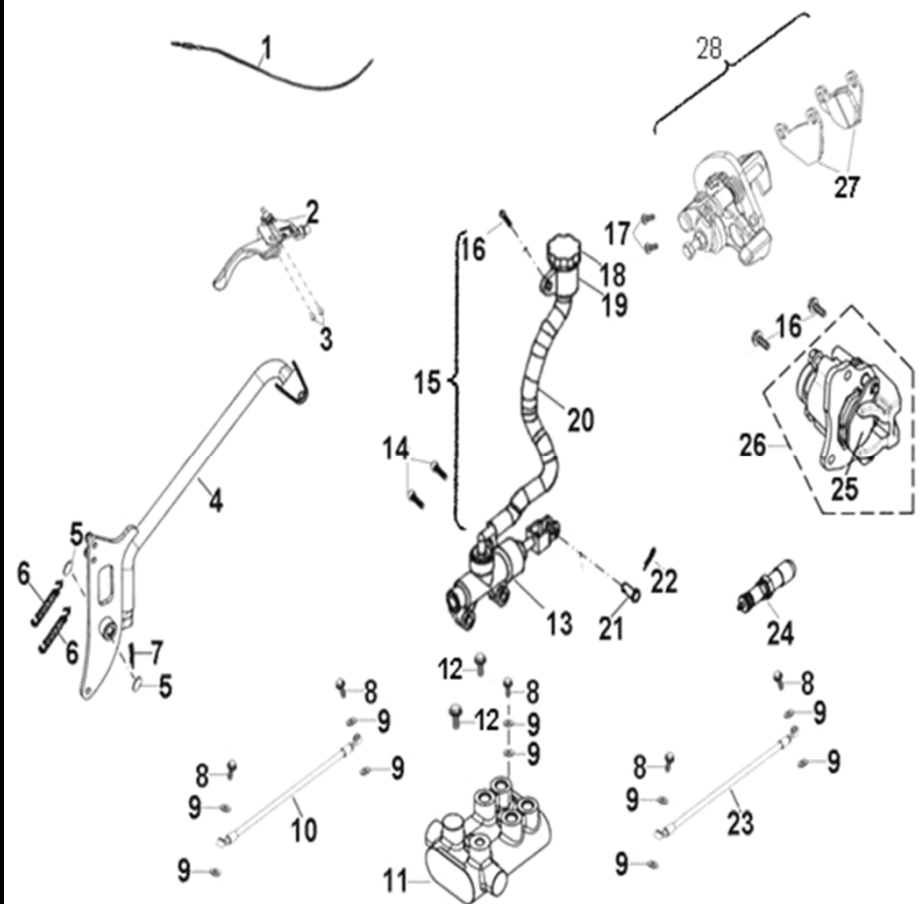
ITEM	DESCRIPTION	P/N	Q'TY
1	Nut	90355-10000-0UB	8
2	Rim, Rear	4280155E-067	2
3	Valve, Rim	42616131-000	2
4	Hub, Wheel, RH	4202039A-000	1
5	Tire	42811227-000	2
6	Washer	94121-1835200-000	2
7	Pin, Cotter	94201-32320	2
8	Cap, Hub	4273039A-000	2
9	Nut	90352-18000-00C	2
10	Hub, Wheel, LH	4203039A-000	1

D-26: FRONT BRAKE



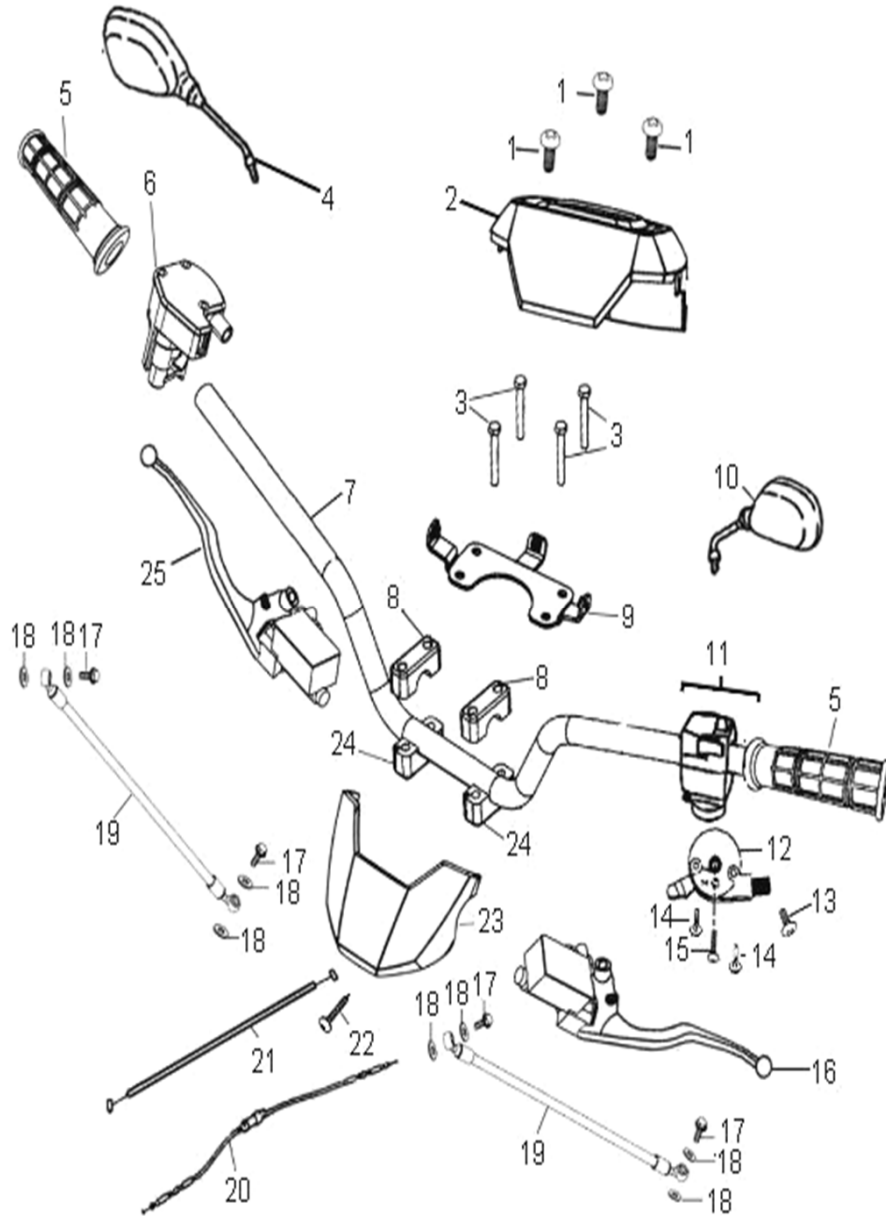
ITEM	DESCRIPTION	P/N	Q'TY
1	Bolt, Banjo	45456111-000	2
2	Washer	94101-1015012-U0B	7
3	Hose, Front Brake, Lower	45449212-000	1
4	Bolt, Banjo	45456202-000	1
5	Hose, Front Brake, Lower	45449211-000	1
6	Plate, Front Brake, LH	4501039A-000	2
7	Bolt	45016131-00K	8
8	Asm., Caliper, RH	4500239A-000	1
9	Pads, Caliper, Front	43121201-000	2
10	Washer	94101-0816020-00C	4
11	Bolt	92001-080308-00K	4
12	Strap	89569131-000	8
13	Asm., Caliper, LH	4500139A-000	1

D-27: REAR BRAKE



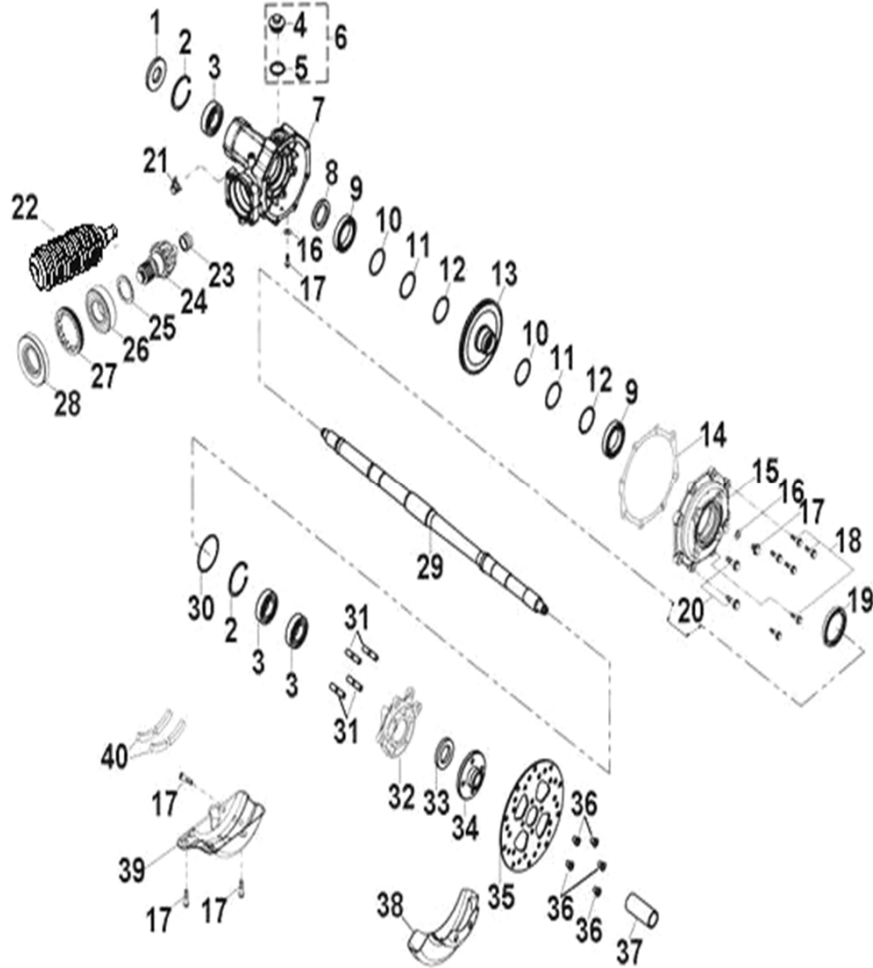
ITEM	DESCRIPTION	P/N	Q'TY
1	Cable, Parking Brake	38706202-000	1
2	Lever, Parking Brake	3871055E-000	1
3	Bolt	91003-060208-00K	2
4	Lever, Brake, Foot	4345655E-000	1
5	O-Ring	93210-01115	2
6	Spring, Brake Lever	50507002-000	2
7	Pin, Cotter	94201-25190	1
8	Bolt, Banjo	45456111-000	5
9	Washer	94101-1015012-U0B	10
10	Hose, Front Brake, Lower	45449209-000	1
11	Brake Shunt	45470201-000	1
12	Bolt	96000-080388-00K	2
13	Master Cylinder	4350155E-000	1
14	Bolt	92001-080258-00K	2
15	Asm., Master Cylinder	4350055E-000	1
16	Bolt	96000-060128-0KL	1
17	Bolt	96000-100208-0KL	4
18	Cap, Oil Tank	43016201-000	1
19	Valve, Fuel	17950201-000	1
20	Hose, Brake	45447210-000	1
21	Pin	94302-07018	1
22	Pin, Cotter	94201-16190	1
23	Hose, Front Brake, Lower	45449210-000	1
24	Switch, Brake	34916201-000	1
25	Pads, Brake	45120182-000	1
26	Asm., Caliper, Rear	4500055E-000	1
27	Pads, Parking Brake	43201201-000	1
28	Asm., Caliper, Parking Brake	43200201-000	1

D-28: HANDLEBAR

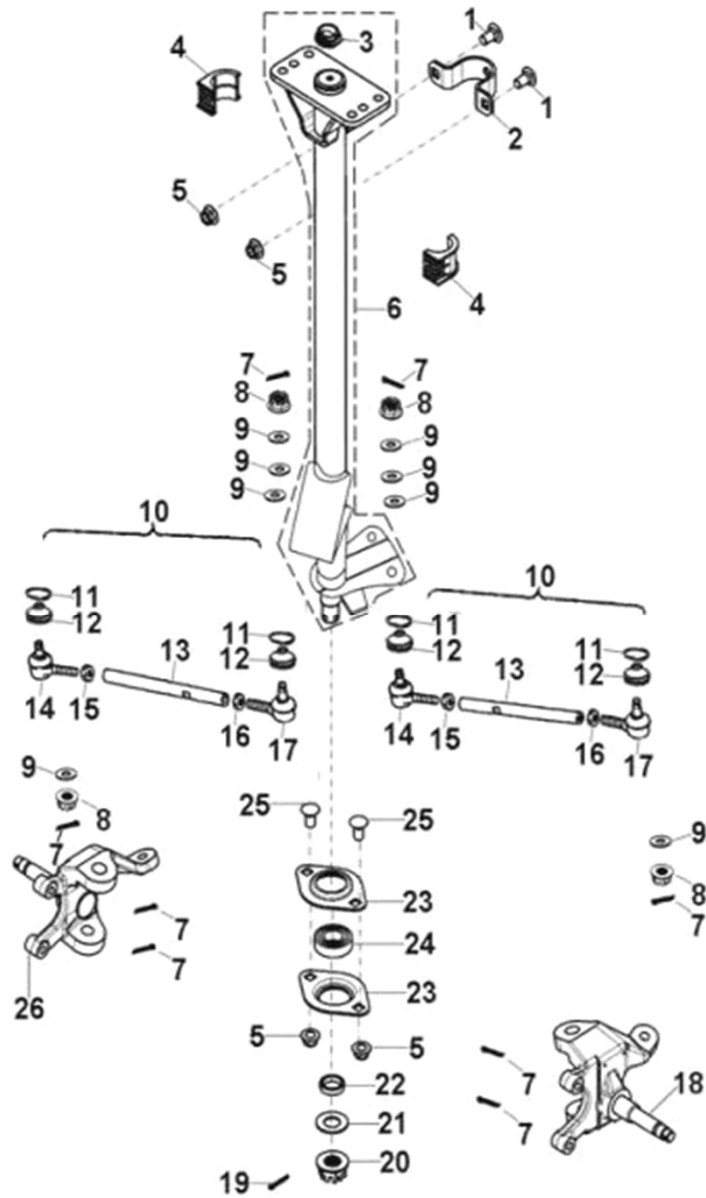


ITEM	DESCRIPTION	P/N	Q'TY
1	Bolt	93100-050128-00K	3
2	Pod, Handlebar	6421155E-000	1
3	Bolt	96000-080638-00B	4
4	Mirror, RH	88110204-000	1
5	Grip, Handlebar	53167201-000	2
6	Control, Throttle	5390055E-000	1
7	Handlebar	5310055E-067	1
8	Clamp, Upper	5321039A-000	2
9	Bracket, Pod	5331055E-000	1
10	Mirror, LH	88120201-001	1
11	Asm., Switch, LH	35151227-001	1
12	Asm., Manual Choke	35160201-000	1
13	Bolt	93500-030068-00C	1
14	Screw	93100-030048-00B	2
15	Bolt	93500-060088-00K	1
16	Asm., Lever LH	5317155E-000	1
17	Bolt, Banjo	45456111-000	4
18	Washer	94101-1015012-U0B	8
19	Hose, Front Brake, Upper	45448208-000	2
20	Cable, Throttle	5391055E-000	1
21	Choke, Cable, Manual	5392255E-000	1
22	Screw	93903-1040128-00K	1
23	Pod, Handlebar, Lower (red)	6421255E-507	1
23	Pod, Handlebar, Lower (green)	6421255E-620	2
24	Clamp, Lower	5320039A-000	2
25	Asm., Master Cylinder, RH	53172206-000	1

D-29: REAR WHEEL AXLE

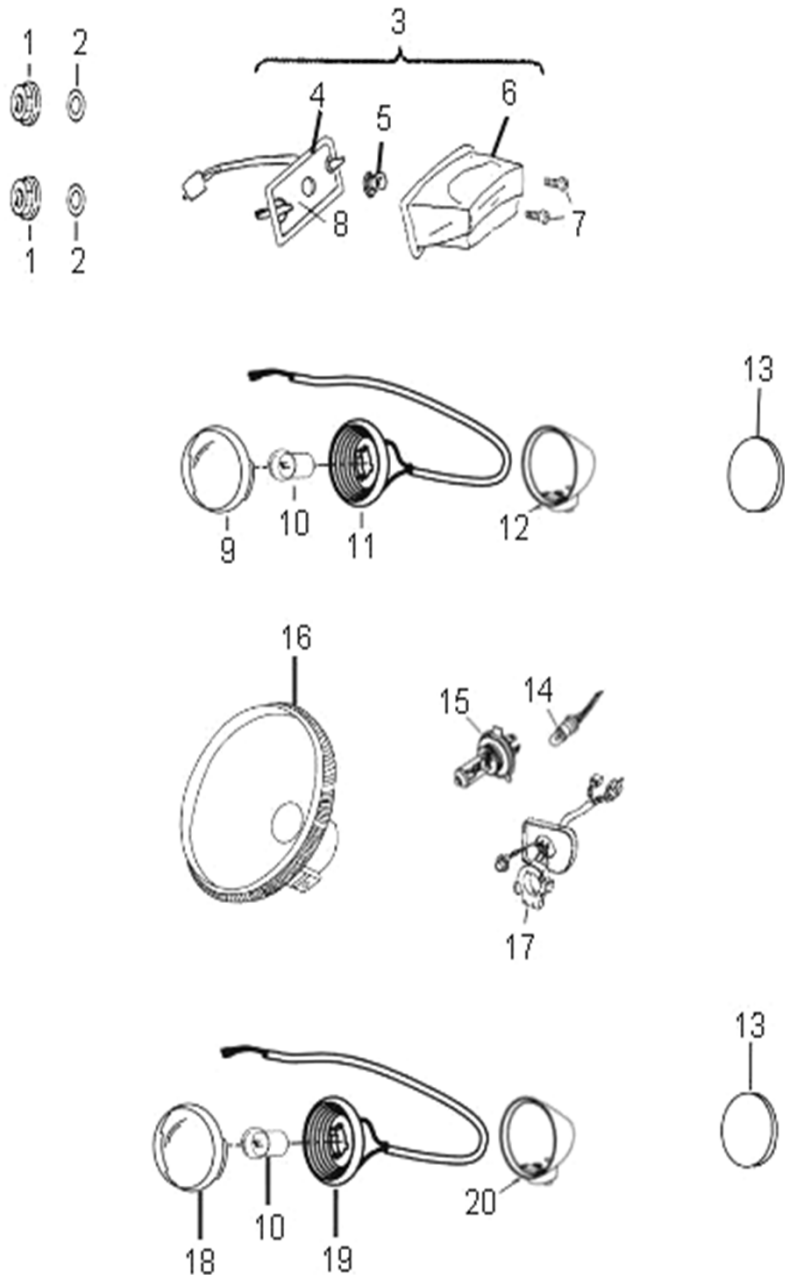


ITEM	DESCRIPTION	P/N	Q'TY
1	Seal, Oil	96500-306207A7271	1
2	Clip, Cir	94512-6200R	2
3	Bearing, Ball	96100-6206-LLUC3/ZG	3
4	Plug, Drain, Oil	11334119-000	1
5	O-Ring	93210-03132	1
6	Asm., Cap	1542539A-000	1
7	Gearcase	4210039B-001	1
8	Seal, Oil	96500-415607A7271	1
9	Bearing, Ball	96100-69090-00000	2
10	Shim	42401201-000	2
11	Shim	42401202-000	2
12	Shim	42401203-000	2
13	Gear, Bevel	42320201-00A	1
14	Gasket, Cover	4229139A-000	1
15	Cover, Gearcase	4220055E-000	1
16	Washer	94101-0816020-00L	2
17	Bolt	96000-080108-00K	5
18	Bolt	96000-080288-00B	6
19	Seal, Oil	96500-415106A2650	1
20	Bolt	96000-100358-00B	2
21	Clamp	94515-12008	1
22	Hose	1660055E-000	1
23	Bearing, Needle	96200-142213	1
24	Gear, Pinion	42310201-00A	1
25	Shim	4241039A-000	1
26	Bearing, Ball	96100-62060-00000	1
27	Nut	90204-65000-000	1
28	Seal, Oil	96500-347210A7271	1
29	Axle	4200050A-000	1
30	O-Ring	93210-06725	1
31	Stud	91001-100488-00B	4
32	Housing, Rear axle, Silver	4280555E-000	1
33	Seal, Oil	96500-405707A7271	1
34	Hub, Disc	4349055E-000	1
35	Disc, Brake	43511202-000	1
36	Bolt	45016131-00K	5
37	Tube, Spacer	4281055E-000	1
38	Shield, Disc	52621201-067	1
39	Plate, Gearcase	4352639A-067	1
40	Spacer, Rubber	3720439A-000	4



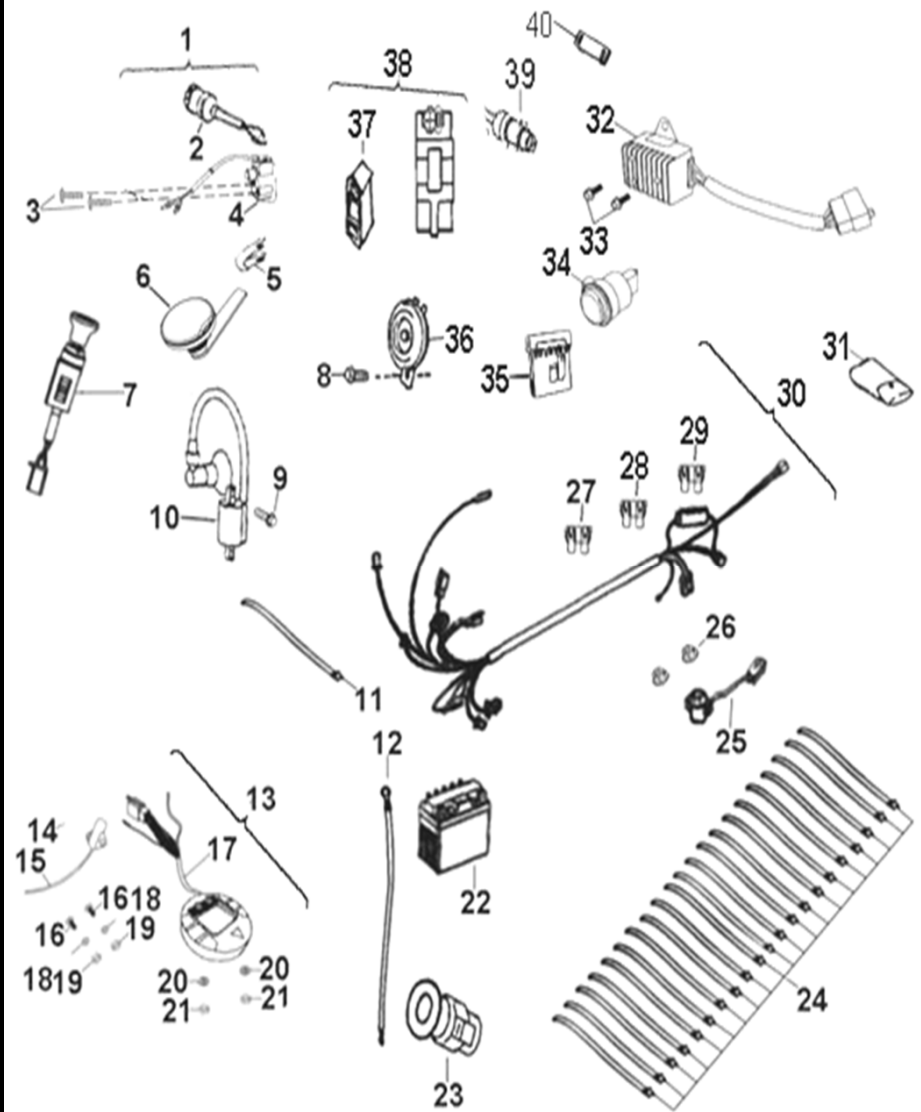
ITEM	DESCRIPTION	P/N	Q'TY
1	Bolt, Carriage	95021-0001C8-000	2
2	Bracket, Bushing, Upper	5349539A-000	1
3	Cap, Rubber	19611202-000	1
4	Sleeve, Steering Shaft	5122039A-000	2
5	Nut	90350-10000-0UC	4
6	Shaft, Steering	5110755E-067	1
7	Pin, Cotter	94201-25190	8
8	Nut	90352-10000-00C	4
9	Washer	94101-1022020-00C	6
10	Asm., Tie Rod	5341039A-000	2
11	Spring	94514-09255	4
12	Boot	16129201-000	4
13	Asm., Tie Rod	5341139A-000	2
14	Rod End, LH	5341239A-000	2
15	Nut	94002-10010-00C	2
16	Nut	94001-10000-00C	2
17	Rod End, RH	5341339A-000	2
18	Asm., Steering Knuckle, LH	5132539A-000	1
19	Pin, Cotter	94201-32320	1
20	Nut	90352-18000-00C	1
21	Washer	94121-1835200-000	1
22	Spacer	4431339A-000	1
23	Flangette	5111139A-000	2
24	Bearing	96100-60040-U0000	1
25	Bolt, Carriage	95021-100228-00C	2
26	Asm., Steering Knuckle, RH	51330206-000	1

D-31: LIGHTS



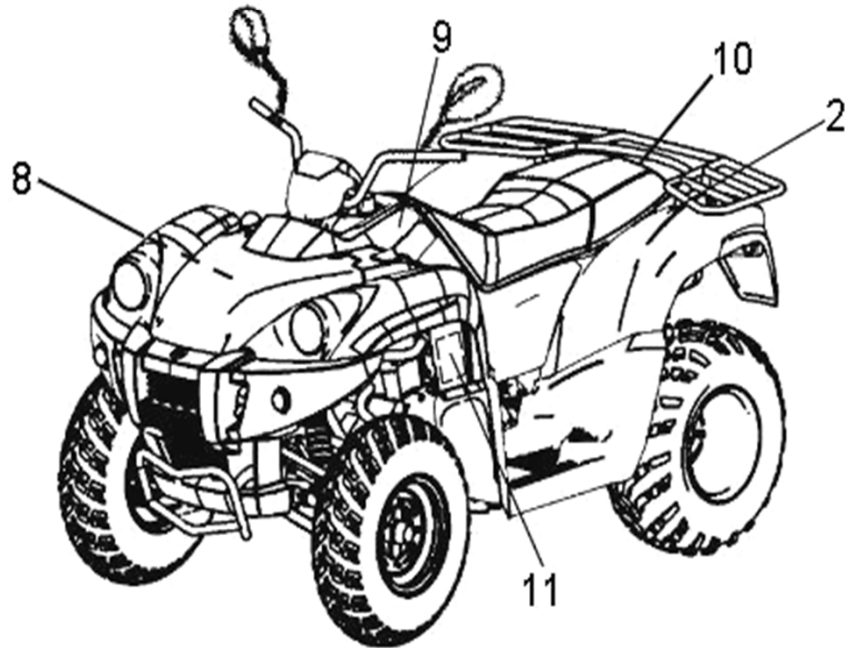
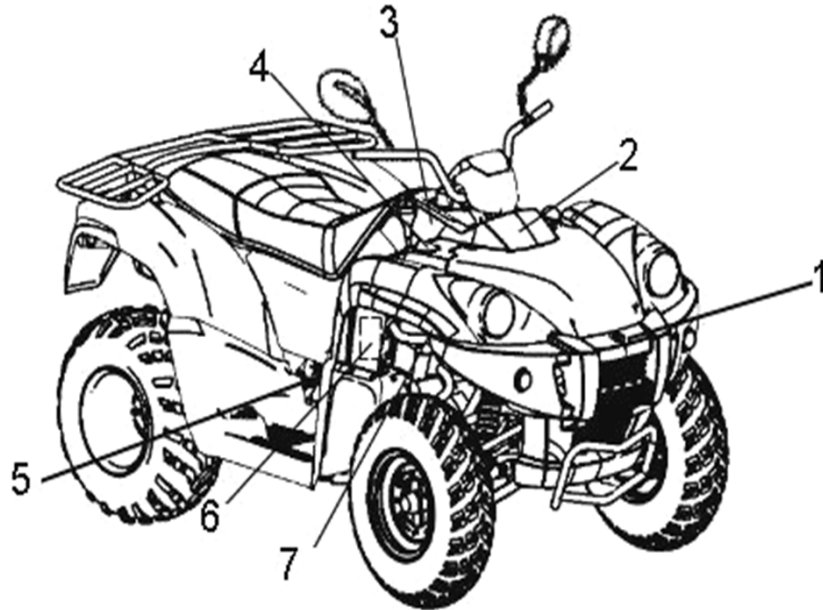
ITEM	DESCRIPTION	P/N	Q'TY
1	Nut	94050-06000-00C	2
2	Washer	94101-0619010-00C	2
3	Asm., Taillight	3370039A-000	1
4	Gasket	33716205-000	1
5	Bulb, Taillight	34906201-000	1
6	Lens, Taillight	33702202-000	1
7	Bolt	93500-035398-SUS	2
8	Socket, Taillight	33711204-000	1
9	Lens, Signal, LH	33313201-000	2
10	Bulb, Signal	33905203-000	4
11	Socket, Right Signal	33401202-000	2
12	Housing, Signal, RH	33401203-000	2
13	Reflector	3374155E-000	2
14	Bulb, Parking	34909180-000	2
15	Bulb, Headlight	34901205-000	2
16	Lens, Headlight	33110224-000	2
17	Socket, Headlight	33111225-000	2
18	Lens, Signal, RH	33314201-000	2
19	Socket, Signal, LH	33451202-000	2
20	Housing, Signal, LH	33451203-000	2

D-32: ELECTRICAL PARTS



ITEM	DESCRIPTION	P/N	Q'TY
1	Asm., Main Switch	35100232-000	1
2	Switch, Main	35102218-000	1
3	Bolt	93100-050128-00K	2
4	Lock, Steering	35106207-000	1
5	Clip, Main Switch	35101131-000	1
6	Twist Lock, Hood	77228201-000	1
7	Power Supporter	38130179-000	1
8	Bolt	96000-080128-0KL	1
9	Bolt	96000-050208-00C	1
10	Asm., Ignition Coil	30510206-000	1
11	Strap	89769111-000	1
12	Asm., Battery Cable	3200155E-000	1
13	Asm., Speedometer	3720055E-000	1
14	Magnet, Speedometer	37203202-000	1
15	Sensor, Speedometer	37206201-000	1
16	Bolt	93100-040128-00K	2
17	Asm., Speedometer	3720555E-000	1
18	Washer	94111-0412010-00K	2
19	Nut	94001-06000-00C	2
20	Washer	94101-0613010-00K	2
21	Nut	94001-04000-00K	2
22	Battery	3150039A-000	1
23	Relay, Signal	38302204-000	1
24	Strap	89569131-000	21
25	Asm., Starter Relay	38501119-000	1
26	Nut	94050-06000-00K	2
27	Fuse	32106203-000	1
28	Fuse	32106202-000	1
29	Fuse	32106201-000	2
30	Main Wire Ass'y	32100230-001	1
31	Pouch, Tool	89120205-000	1
32	Rectifier/ Regulator	31600209-000	1
33	Bolt	96000-060148-10K	2
34	Relay, Parking	38701201-000	1
35	Wire, Fuse Box	32109201-000	1
36	Horn	38110119-000	1
37	Pad, Rubber	30411202-000	1
38	Asm., CDI Unit	30410220-000	1
39	Lock Striker, Seat	77233201-000	1
40	Strap, Battery	89750202-000	1

D-33: DECALS



ITEM	DESCRIPTION	P/N	Q'TY
1	Decal, Aeon Logo	87711233-000	1
2	Decal, Aeon Logo (red)	87711231-507	2
2	Decal, Aeon Logo (green)	87711231-620	2
3	Decal, Tank, RH (red)	87720232-507	1
3	Decal, Tank, RH (green)	87720232-620	1
4	Decal, Warning, Reverse	87854202-000	1
5	Decal, Warning	87843201-000	1
6	Decal, Warning, Y-16	87851173-000	1
7	Decal, Fragile, Frame	87871204-000	1
8	Decal, Warning, Hood	87842201-001	1
9	Decal, Tank, LH (red)	87721232-507	1
9	Decal, Tank, LH (green)	87721232-620	1
10	Decal, Warning, Rack	87869131-000	1
11	Decal, General Warning	87852159-000	1