

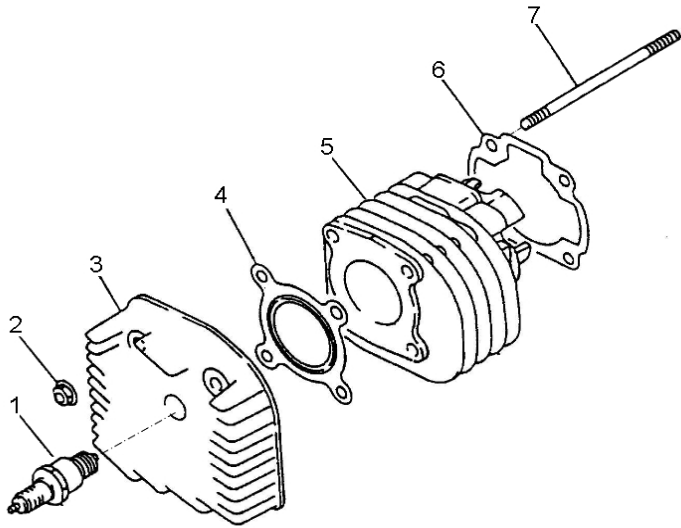
COBRCA

Cinquanta 50



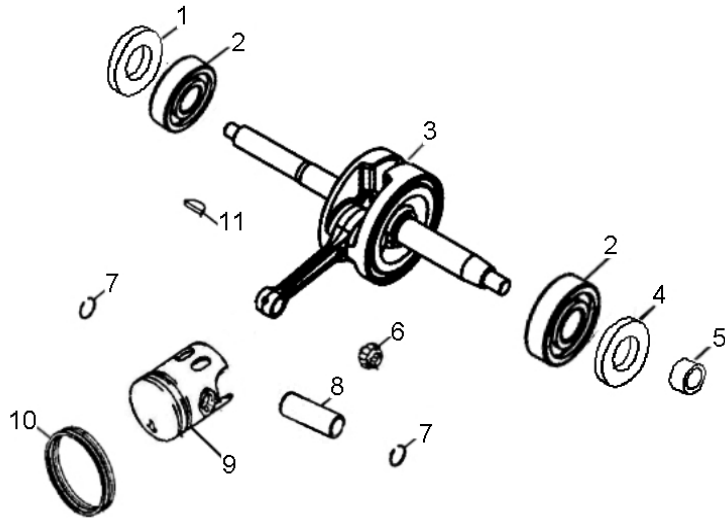
D-1:CYLINDER HEAD

ITEM	DESCRIPTION	P/N	Q.ty	Note
1	Plug, Spark	98076111-000	1	NGK BPR7HS
2	Nut	94050-07000-00C	4	M7
3	Head, Cylinder	12201113-000	1	
4	Gasket, Cylinder Head	12251113-000	1	
5	Cylinder	12101113-000	1	
6	Gasket, Cylinder	12191113-001	1	
7	Stud	91001-071108-00C	4	

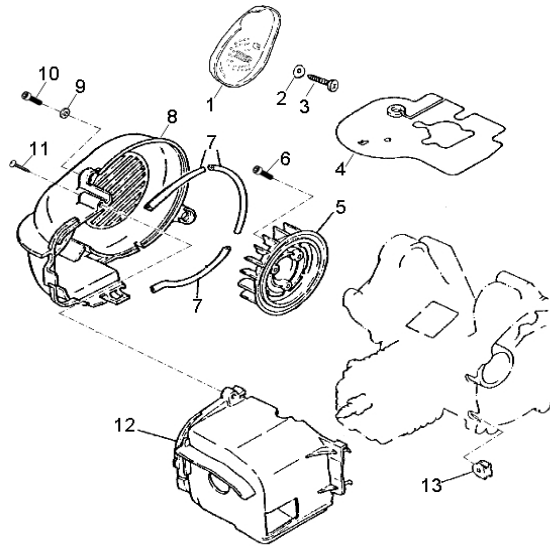


D-2:CRANKSHAFT

ITEM	DESCRIPTION	P/N	Q.ty	Note
1	Seal, Oil	96500-203006A7951	1	
2	Bearing, Ball	96100-62040-JR2C3	2	JR2C3
3	Asm., Crankshaft	13020113-000	1	
4	Seal, Oil	96500-204208A7951	1	
5	Collar, Crank, LH	13316113-000	1	
6	Bearing, Needle	96200-101412	1	
7	Clip, Piston Pin	13115111-000	2	
8	Pin, Piston	13111111-000	1	
9	Piston	13100111-000	1	
10	Ring Set, Piston	13011111-000	1	
11	Key, Woodruff	90471-03013	1	

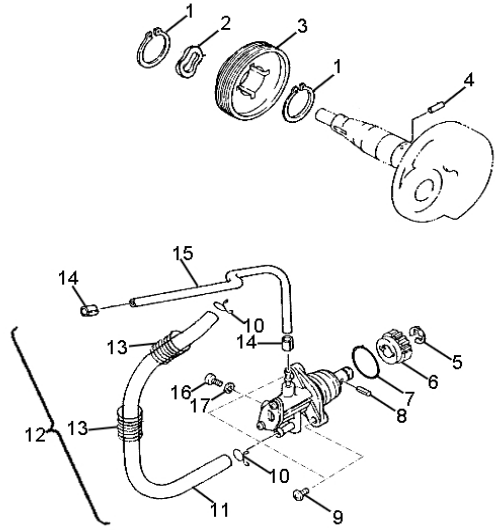


D-3:FAN COVER



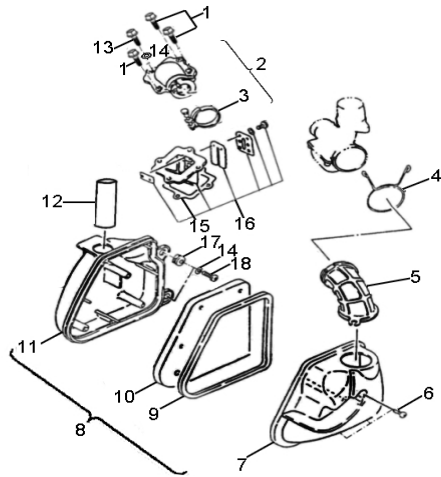
ITEM	DESCRIPTION	P/N	Q.ty	Note
1	Cover Set, Fan Inlet	19600151-000	1	
2	Washer	94101-0619010-00C	1	φ6.1*φ19*t1
3	Screw	93903-1050168-00K	1	M5*16L
4	Deflector	19122113-000	1	
5	Fan	19510113-000	1	
6	Bolt	96000-060168-0KL	3	M6*P1.0*16L
7	Damper, Air Shroud	19602113-000	3	
8	Cover,Fan	19614202-000	1	
9	Washer	94101-0613010-00C	2	φ6.1*φ13*t1
10	Bolt	91000-060208-00C	2	M6*P1.0*20L
11	Screw	93903-2050408-00K	1	M5*40L
12	Shroud, Air, Cylinder	19620151-000	1	
13	Grommet, Cylinder	83552113-000	2	

D-4:OIL PUMP



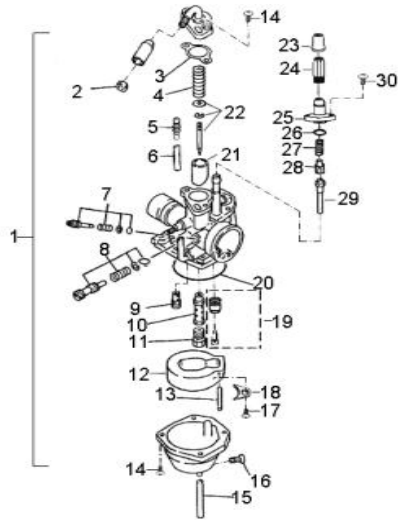
ITEM	DESCRIPTION	P/N	Q.ty	Note
1	Clip, Cir	94511-1900S	2	
2	Washer	94124-2026003-00K	1	
3	Sprocket, Oil Pump	15150111-000	1	
4	Pin, Dowel	94301-03012	1	φ3*12L
5	Clip, Cir	94511-0700E	1	
6	Gear, Worm, Oil Pump	15136113-000	1	
7	O-Ring	93210-01414	1	
8	Pin, Shaft	96300-03013	1	
9	Bolt	91000-050168-00K	2	M5*P0.8*16L
10	Clamp	94510-08000	2	
11	Fuel hose	94401-05009-540	1	
12	Asm., Oil Pump	15000131-000	1	
13	Spring, Protective, Oil Pipe	15311113-000	2	
14	Clip	94517-05000	2	
15	Tube, Oil	94403-02005-350	1	
16	Bolt, Phillips	96006-040088-00C	1	M4*P0.6*8L
17	Washer	94101-0400805-000	1	φ4*φ8.5*t0.5

D-5: AIR CLEANER



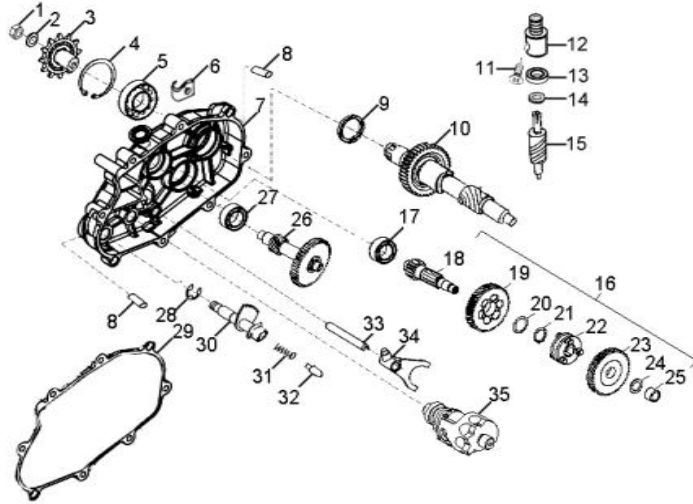
ITEM	DESCRIPTION	P/N	Q.ty	Note
1	Bolt	96000-060188-08C	3	M6*P1.0*18L
2	Asm., Manifold, Intake	17100113-000	1	Incl. 3
3	Clamp, Hose	17102113-000	1	
4	Clip	94510-40000	1	
5	Boot	17253113-000	1	
6	Screw	93903-1050268-000	3	
7	Cover, Air Cleaner	17207113-000	1	
8	Asm., Cleaner, Air	17200153-C00	1	
9	Seal	17212113-000	1	
10	Filter, Air Cleaner	17205113-000	1	
11	Box, Air Cleaner	17206113-000	1	
12	Tube, Inlet, Air Cleaner	17219131-001	1	
13	Shear-Bolt	92200-060208-0B1	1	
14	Washer	94101-0613010-00C	3	φ6.1*φ13*t1
15	Gasket	17111113-000	1	
16	Asm., Reed Valve	17110113-000	1	
17	Grommet	17485113-000	2	
18	Bolt	91000-060208-00C	2	M6*P1.0*20L

D-6:CARBURETOR



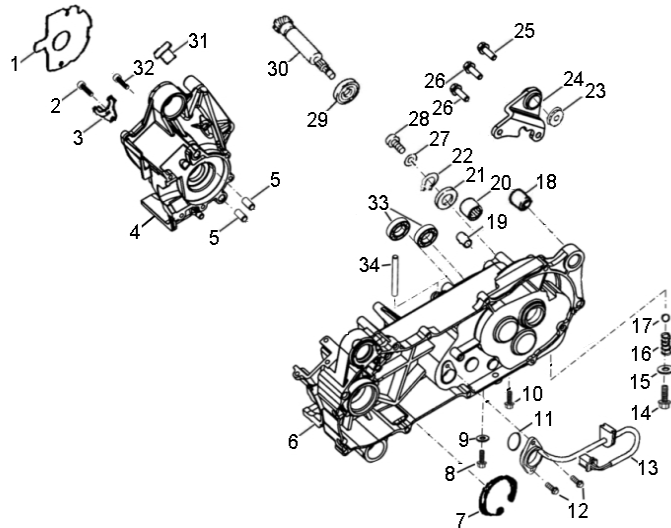
ITEM	DESCRIPTION	P/N	Q.ty	Note
1	Asm., Carburetor	16100170-000	1	
2	Nut, Cable Adjust	16113151-000	1	
3	Gasket	16101113-000	1	
4	Spring	16102113-000	1	
5	Plug, Oil	16120131-000	1	
6	Pipe, Oil	94403-03565-065	1	φ3.5*φ6.5-65L
7	Screw, Air	16115151-000	1	
8	Screw, Idle	16114151-000	1	
9	Jet, Pilot	16110151-000	1	
10	Valve, Needle	16105151-000	1	
11	Jet, Main	1610810E-000	1	#80
12	Float	16123113-000	1	
13	Pin, Float	16119151-000	1	
14	Bolt	93500-040148-000	6	M4*P0.6*14L
15	Drain Tube	16109151-000	1	
16	Plug, Drain	16111151-000	1	
17	Bolt	93500-030068-000	1	M3*P0.6*6L
18	Bracket, Valve	16185201-000	1	
19	Valve, Float	16117151-000	1	
20	Seal, Float	16106113-000	1	
21	Throttle, Valve	16103151-000	1	
22	Asm., Jet Needle	16104151-000	1	
23	Grommet	16129170-000	1	
24	Support, Cable	16130170-000	1	
25	Bracket, Manual Choke	16131152-000	1	
26	O-Ring	93210-01418	1	
27	Recoil, Choke	16127170-000	1	
28	Valve, Choke	16320201-000	1	
29	Jet, Choke	16214151-001	1	
30	Bolt	93501-040148-000	2	M4*P0.6*14L W/Washer

D-7:DRIVE SHAFT



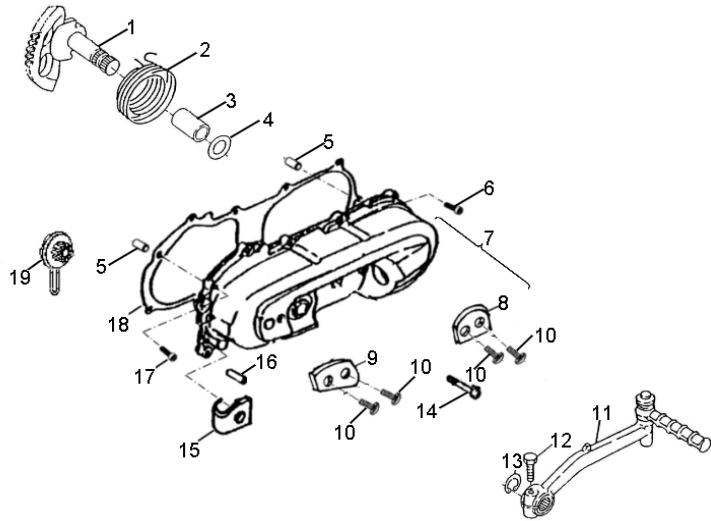
ITEM	DESCRIPTION	P/N	Q.ty	Note
1	Nut	90350-14000-00C	1	M14*P1.5
2	Washer	94101-1426020-00C	1	φ14.2*φ26*t2
3	Sprocket, Drive	23801202-000	1	19T
4	Clip, Cir	94512-4200R	1	
5	Bearing, Ball	96100-6004-LLUC3/ZG	1	6004LLUC3/L542
6	Bracket, Carburator Tube	11351111-000	1	
7	Cover, Transmission	21300202-000	1	
8	Pin, Dowel	94301-10140	2	φ10*14L
9	Seal, Oil	96500-253506A7271	1	
10	Final Shaft Comp	23430201-000	1	
11	Bolt	93902-050258-00C	1	M5*P0.8*25L
12	Meter Gear Joint	22911201-000	1	
13	Seal, Oil	96500-071507A7271	1	ψ6.5xψ14.5x7
14	Washer	94101-0715010-000	1	φ6.7*φ14.6*t1
15	Meter Gear	22901201-000	1	
16	Asm., Transmission	23440202-000	1	
17	Bearing, Ball	96100-62020-00000	1	
18	Shaft, Transmission	23441201-000	1	
19	Gear Set, Reverse	23460201-000	1	
20	Washer	94101-2025010-000	1	φ20*φ25*t1
21	Clip	94517-1900S	1	
22	Ratchet, Shift	22430203-000	1	
23	Asm., Gear, Spur	23450201-000	1	
24	Washer	94101-1422010-000	1	φ14.2*φ22*t1
25	Collar, Shaft	23442201-000	1	
26	Asm., Shaft, Counter	23420201-000	1	
27	Bearing, Ball	96100-62010-00000	1	
28	E-Clip	94513-1200E	1	
29	Gasket, Transmission Cover	21395201-002	1	
30	Spindle	2461139A-000	1	
31	Spring, Drum Sensor	2425339A-000	1	
32	Roller, Drum Sensor	2425239A-000	1	
33	Shaft, Gear Shift	2424139A-000	1	
34	Fork, Shift	2423139A-000	1	
35	Asm., Drum, Gear Shift	2430039A-000	1	

D-8:CRANKCASE



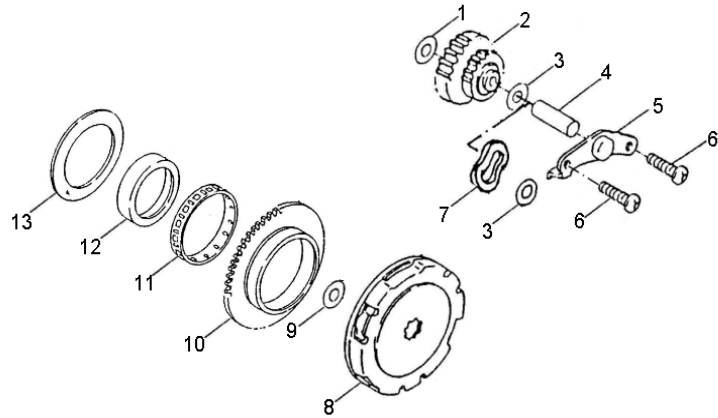
ITEM	DESCRIPTION	P/N	Q.ty	Note
1	Gasket, Generator	11121113-000	1	
2	Bolt	91000-060108-00C	1	M6*P1.0*10L
3	Bracket, Oil Seal	11111111-000	1	
4	Crankcase, RH	11101131-000	1	
5	Pin, Dowel	94301-12160	2	φ12*16L
6	Crankcase, LH	11201204-000	1	
7	Clip, Cir	94512-4200R	1	
8	Bolt	96000-120158-14C	1	M12*P1.25*15L
9	Washer	94101-1221320-00L	1	φ12.1*φ21.3*t2
10	Bolt	96000-080108-00K	1	M8*P1.25*10L
11	O-Ring	93210-02615	1	φ26*t1.5
12	Bolt	96000-050168-00C	2	M5*P0.8*16L
13	Sensor, Shifter	35759202-000	1	
14	Bolt	2430539A-000	1	
15	Washer	94101-1422010-00L	1	φ14.2*φ22*t1
16	Spring, Detent	2430639A-000	1	
17	Ball, Steel	2132239A-000	1	
18	Bushing	96400-082021	1	
19	Breather, Crankcase, Lower	11610113-000	1	
20	Bearing, Needle	96200-121812	1	HK1212
21	Seal, Oil	96500-172805T3034	1	
22	Clip, Cir	94511-1700S	1	
23	Bushing	96400-082021	1	
24	Mount, Engine, Rear	50350201-000	1	
25	Bolt	96000-080358-00K	1	M8*P1.25*35L
26	Bolt	96000-080228-0KL	2	M8*P1.25*22L
27	Stop Plate	23412201-000	1	
28	Bolt	91000-060108-00C	1	M6*P1.0*10L
29	Bearing, Ball	96100-60030-00000	1	
30	Shaft, Drive	23411201-000	1	
31	Plug, Rubber	11103111-000	1	
32	Bolt	91000-060358-00K	6	M6*P1.0*35L
33	Bearing, Ball	96100-62010-00000	2	
34	Hose	94408-05007-170	1	

D-9:CRANKCASE COVER,LH



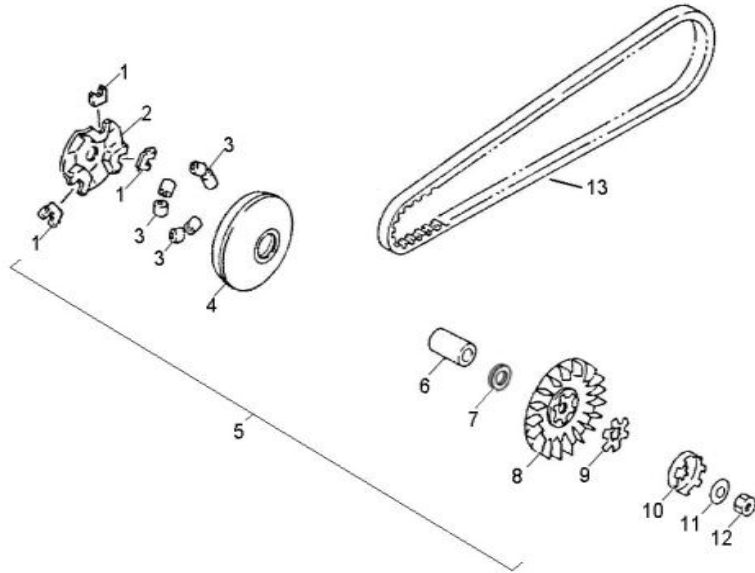
ITEM	DESCRIPTION	P/N	Q.ty	Note
1	Asm., Shaft, Kick Start	28250113-000	1	
2	Recoil, Kick Start	28281111-000	1	
3	Bushing	96401-152030	1	
4	Washer	94101-1528010-00K	1	φ15*φ28*t1
5	Pin, Dowel	94301-10140	2	φ10*14L
6	Bolt	91000-060258-00K	8	M6*P1.0*25L
7	Cover, Clutch	11341113-000	1	
8	Protector A	11343113-000	1	
9	Protector B	11344113-000	1	
10	Bolt	93500-050108-00K	4	M5*P0.8*10L
11	Asm., Kick Start	28300111-001	1	
12	Bolt	96000-060258-00K	1	M6*P1.0*25L
13	Clip, Cir	94511-1500S	1	
14	Bolt	91000-060608-00K	1	M6*P1.0*60
15	Bracket, Carburator Tube	11351111-000	1	
16	Shaft, Pin	96300-08029	1	
17	Bolt	91000-060358-00K	2	M6*P1.0*35L
18	Gasket	11359113-001	1	
19	Asm., Kick Pinion	28225113-000	1	

D-10:STARTER



ITEM	DESCRIPTION	P/N	Q.ty	Note
1	Washer	94101-0816015-00C	1	φ8.1*φ16*t1.5
2	Asm., Idle Gear	23422113-000	1	
3	Washer	94101-0818008-000	2	φ8.2*φ18*t0.8
4	Shaft, Pin	96300-08032	1	
5	Plate, Idle Gear	28236113-000	1	
6	Bolt	91000-060128-00K	2	M6*P1.0*12L
7	Washer	94124-0812003-00K	1	
8	Asm., One Way Clutch	28410113-000	1	
9	Washer	94101-1319005-000	1	φ13*φ19*t0.5
10	Gear, Starter	28220113-000	1	
11	Bearing, Needle	96200-555912	1	
12	Boss, Gear	28202113-000	1	
13	Washer	94101-5676006-000	1	φ56*φ76*t0.6

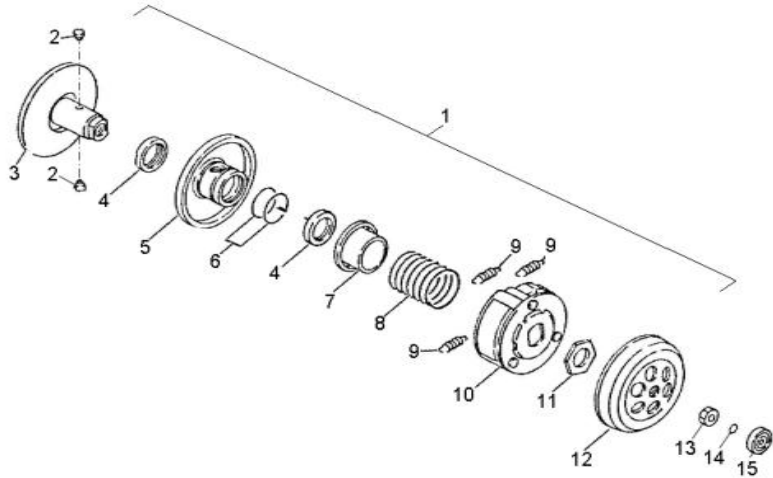
D-11:DRIVE CLUTCH



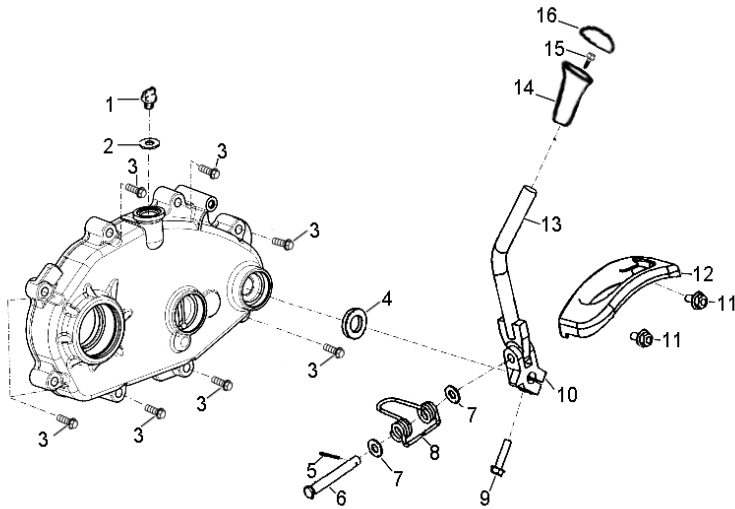
ITEM	DESCRIPTION	P/N	Q.ty	Note
1	Bushing, Slider	22132113-000	3	
2	Plate, Sheave	22131113-000	1	
3	Roller	22121202-000	6	
4	Wheel, Slot, Sliding, Primary	22110113-000	1	
5	Asm., Sliding	22103204-000	1	Incl. 1 ~ 10
6	Bushing	96401-131838	1	
7	Washer	94101-1318010-000	1	φ13*φ18*t1
8	Sheave, moveable	22102113-000	1	
9	Washer, Claw	22150111-000	1	
10	Clutch, One-Way	22140111-000	1	
11	Washer, Spring	94125-1024025-000	1	
12	Nut	94050-10000-00C	1	M10*P1.25
13	Belt, Driven	23100113-000	1	

D-12:DRIVEN CLUTCH

ITEM	DESCRIPTION	P/N	Q.ty	Note
1	Asm., Drive Clutch	22000205-000	1	Incl. 1~8 & 12~15
2	Pin, Guide	23225113-000	2	
3	Sheave, Driven	23200201-000	1	
4	Seal, Oil	96500-333904A0015	2	
5	Sheave, Moveable	23220113-000	1	
6	O-Ring	93210-03622	2	
7	Seal, Collor	23237113-000	1	
8	Spring, Clutch	23233201-000	1	
9	Spring, Clutch	22401113-000	3	
10	Weight, Clutch	22350113-000	1	
11	Nut	90202-28000-00C	1	
12	Clutch, Outer	22100113-000	1	
13	Nut	94001-10000-24C	1	
14	O-Ring	93210-00630	1	
15	Bearing, Ball	96100-63800-ZZ000/ZG	1	638ZZ/L542



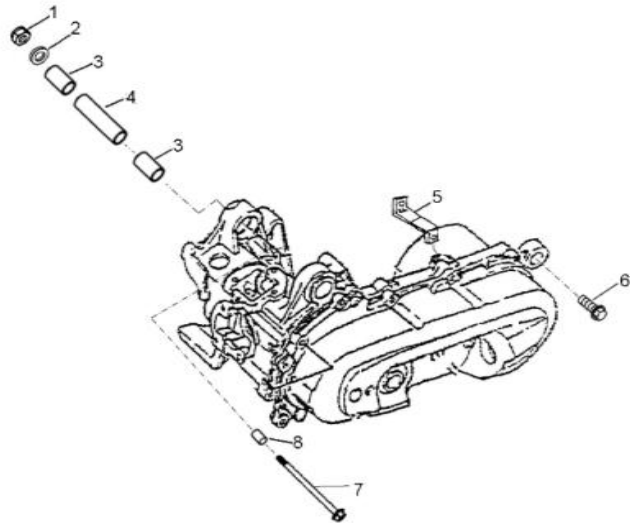
D-13: TRANSMISSION LEVER



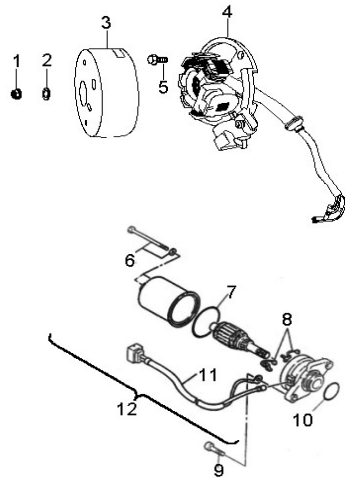
ITEM	DESCRIPTION	P/N	Q.ty	Note
1	Plug, Oil	15650111-001	1	
2	O-Ring	93210-01326	1	
3	Bolt	96000-060358-08C	8	M6*P1.0*35L
4	Seal, Oil	96500-142807A7271	1	14*28*7
5	Pin, Cotter	94201-25190	1	
6	Pin, Lever, Shift	21321156-000	1	
7	Washer	94101-0816015-00C	2	φ8.1*φ16*t1.5
8	Spring, Shift	21320201-000	1	
9	Bolt	96000-060258-00K	1	M6*P1.0*25L
10	Lever, Shift	21317201-000	1	
11	Bolt	96000-060128-10K	2	M6*P1.0*12L
12	Gate, Shift	21323202-000	1	
13	Gear Selector	21319221-001	1	
14	Knob, Transmission Lever	21328158-000	1	
15	Bolt	96000-060208-10K	1	M6*P1.0*20L
16	Cover	21327158-000	1	

D-14:ENGINE BRACKET

ITEM	DESCRIPTION	P/N	Q.ty	Note
1	Nut	90350-12000-00C	1	M12*P1.25
2	Washer	94101-1225020-00C	1	φ12.1*φ25*t2
3	Bushing	96400-123538	2	
4	Tube, Fixed, Front	11150131-000	1	
5	Bracket, Oil Tank	55200131-000	1	
6	Bolt	96000-080358-00K	1	M8*P1.25*35L
7	Bolt	96000-122158-14C	1	M12*P1.25*15L
8	Spacer	44312201-000	1	

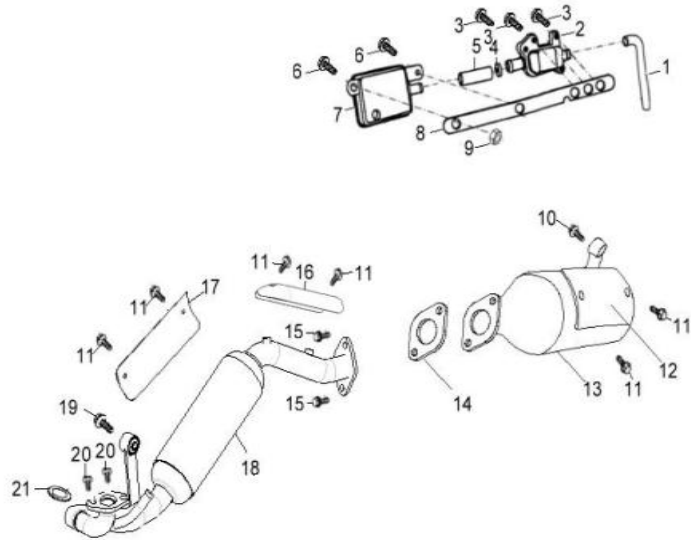


D-15:GENERATOR/ START MOTOR



ITEM	DESCRIPTION	P/N	Q.ty	Note
1	Nut	94050-10000-00C	1	M10*P1.25
2	Washer	94101-1022020-00C	1	φ10.1*φ22*t2
3	Flywheel	31110151-000	1	
4	Stator	31120151-000	1	
5	Bolt	96000-060168-0KL	2	M6*P1.0*16L
6	Bolt Set	88310113-000	2	
7	O-Ring	93210-04537	1	
8	Brush Set	31201113-000	1	
9	Bolt	91000-060208-00C	2	M6*P1.0*20L
10	O-Ring	93210-02622	1	
11	Cord	31202113-000	1	
12	Motor, Starter	31200151-000	1	

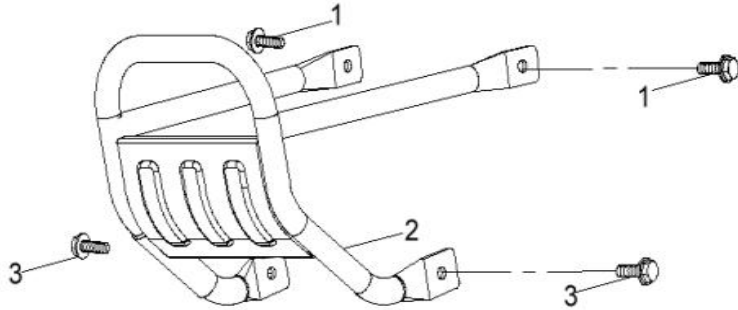
D-16:EXHAUST PIPE



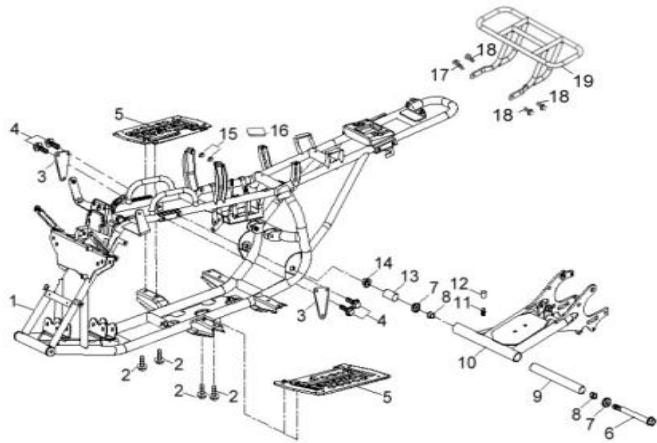
ITEM	DESCRIPTION	P/N	Q.ty	Note
1	Hose, Rubber	96420-01016-054	1	
2	Dual-Intake	18999201-000	1	
3	Bolt	96000-060128-10K	3	M6*P1.0*12L
4	Check Valve, Dual-Intake	18997201-000	1	
5	Hose, Rubber	96420-01016-300	1	
6	Bolt	92005-060168-00K	2	M6*P1.0*16L W/Washer
7	Asm.,Filter, Daul- Intake	18995201-000	1	
8	Bracket, Dual- Intake	18998201-000	1	
9	Nut	94050-06000-00K	1	M6*P1.0
10	Bolt	96000-080308-00K	1	M8*P1.25*30L
11	Bolt	96000-060108-00B	6	M6*P1.0*10L
12	Protector	18318201-000	1	
13	Silencer	18298221-001	1	
14	Gasket	16101203-000	1	
15	Bolt	96000-080258-00K	2	M8*P1.25*25L
16	Muffler Protector(iron)	18314208-000	1	
17	Muffler Protector(iron)	18314207-000	1	
18	Pipe, Exhaust, Front	18299225-000	1	
19	Bolt	96000-080358-00K	1	M8*P1.25*35L
20	Bolt	96000-060188-OCT	2	M6*P1.0*18L
21	Gasket	18291111-000	1	

D-17: BUMPER

ITEM	DESCRIPTION	P/N	Q.ty	Note
1	Bolt	96000-060128-10K	2	M6*P1.0*12L
2	Bracket, Bumper	50450225-385	1	
3	Bolt	96000-080168-00K	2	M8*P1.25*16L



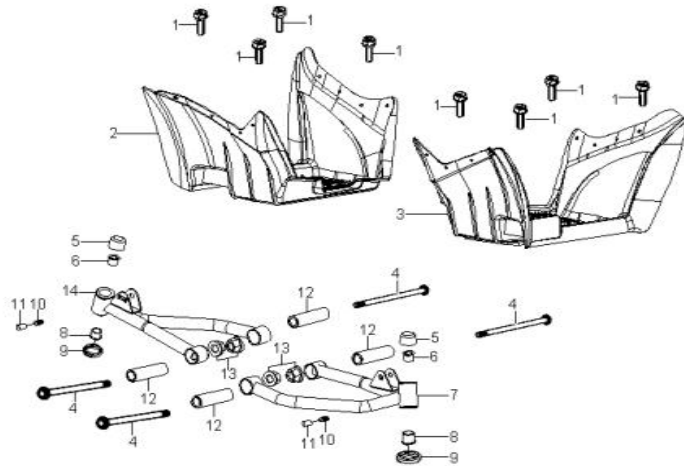
D-18:FRAME BODY



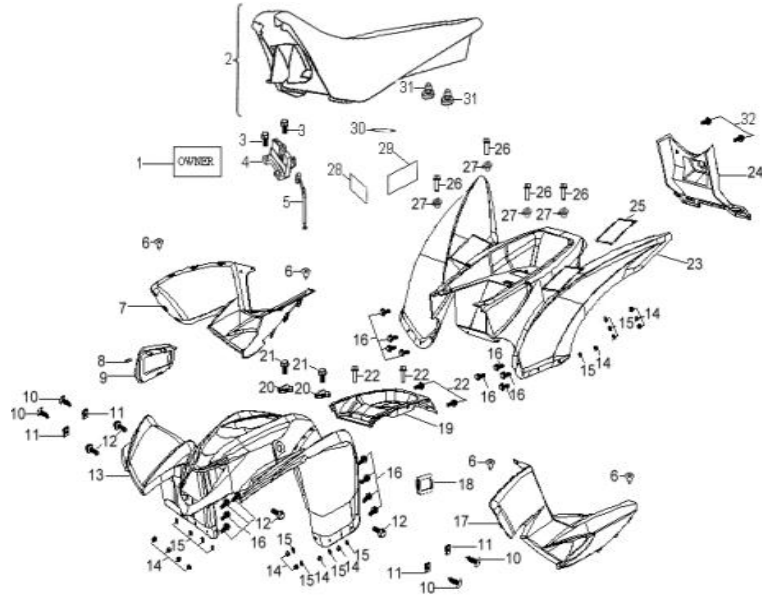
ITEM	DESCRIPTION	P/N	Q.ty	Note
1	Asm., Frame	50100290-067	1	
2	Bolt	96000-080128-00K	8	M8*P1.25*12L
3	Plate, Engine Bracket	50351151-000	2	
4	Bolt	96000-080148-0KL	4	M8*P1.25*14L
5	Plate, Footwell	51122208-067	2	
6	Bolt	96000-142908-00C	1	M14*P1.5*290L
7	Cover, Swing Arm Seal	52422131-000	2	
8	Seat, Grease Contain	52524131-000	2	
9	Tube, Spacer	52420131-000	1	
10	Arm, Swing	52410219-385	1	
11	Valve, Grease	51300131-000	1	
12	Cap, Valve, Grease	51301131-000	1	
13	Sleeve, Rubber	52423131-000	1	
14	Nut	90355-14000-19C	1	
15	Grommet, Seat	7722539A-000	2	
16	Foam	31510131-000	1	
17	Bolt	96000-080328-00K	1	
18	Bolt	96000-080168-00K	3	M8*P1.25*16L
19	Rack, Rear	81110202-067	1	

D-19:SWING ARM,FOOTREST

ITEM	DESCRIPTION	P/N	Q.ty	Note
1	Bolt	96007-060228-00K	8	M6*P1.0*22L W/Washer
2	Footwell, RH	64300217-000	1	
3	Footwell, LH	64310217-000	1	
4	Bolt	96000-100488-0KL	4	M10*P1.25*48L
5	Cover, Waterproof	51200131-000	2	
6	Seat, Grease Contain	52522131-000	2	
7	Arm, Suspension, Front, LH	53126206-385	1	
8	Seat, Grease Contain	52523131-000	2	
9	Cap, Dustproof	52424131-000	2	
10	Valve, Grease	51300131-000	2	
11	Cap, Valve, Grease	51301131-000	2	
12	Bushing	96400-102829	4	
13	Nut	94050-10000-00C	4	M10*P1.25
14	Arm, Suspension, Front, RH	53026206-385	1	

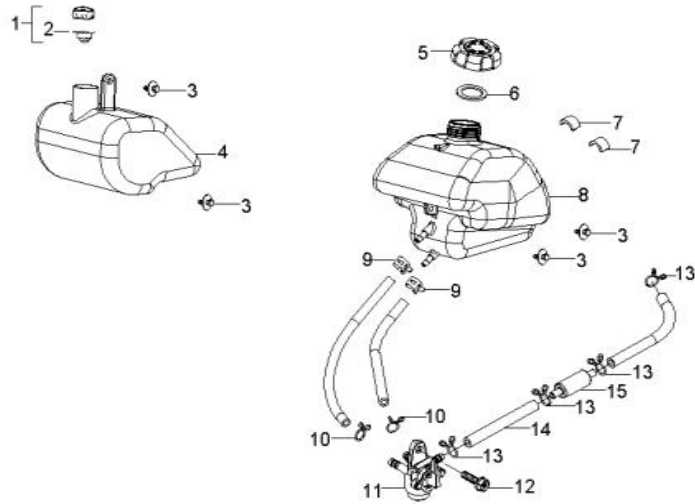


D-20:CAB/SEAT



ITEM	DESCRIPTION	P/N	Q.ty	Note
1	Manual, Owner's	88510228-001	1	
2	Seat	77200258-000	1	
3	Bolt	96000-060148-10K	2	M6*P1.0*14L
4	Lock striker	77231180-000	1	
5	Cable, Lock	77232204-000	1	
6	Rivet, Plastic	61120153-000	4	
7	Panel, Side, RH	83500206-000	1	
8	Cap, Box	19611156-000	1	
9	Boot, Shift	21348201-000	1	
10	Screw	93903-2040128-00K	4	M4*12L
11	U-Nut	90345-04000-02T	4	M4*P0.6
12	Bolt	92003-060168-00K	4	M6*P1.0*16L W/Washer
13	Cab, Front	61100218-116	1	Black
		61100218-133		White
14	Nut	90350-05000-00K	16	M5*P0.8
15	Washer	94101-0514010-00K	16	φ5.1*φ14*t1
16	Bolt	93100-050168-00K	16	M5*P0.8*16L
17	Panel, Side, LH	83600219-000	1	
18	Cap	96600-00321500000	1	
19	Cover, Fuel Tank	17555211-070	1	
20	U-Nut	90344-06000-00C	2	M6*P1.0
21	Bolt	93800-060148-00K	2	M6*P1.0*14L W/Washer
22	Screw	93903-1040128-00K	4	M4*12L
23	Cab, Rear	61000223-116	1	Black
		61000223-133		White
24	License Plate	33708203-000	1	
25	Decal, Isulation	80140222-000	1	
26	Bolt	96000-060168-10K	4	M6*P1.0*16L
27	Washer	94150-0717075-00K	4	φ6.5*φ17.5*t7.5
28	Decal, Insulation	87011221-000	1	
29	Decal, Insulation	87011220-000	1	
30	O-Ring	93213-03830	1	
31	Rubber, Seat	77220180-000	2	
32	Bolt	96007-060168-00K	2	M6*P1.0*16L W/Washer

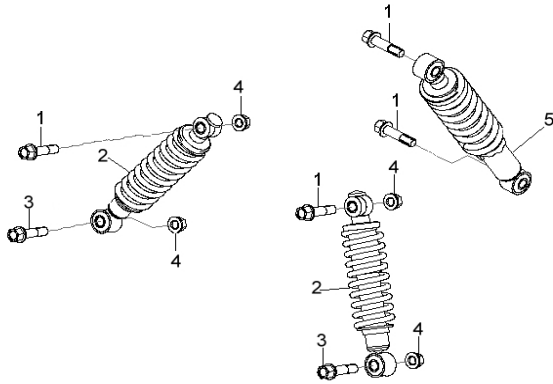
D-21:OIL /FUEL TANK



ITEM	DESCRIPTION	P/N	Q.ty	Note
1	Cap, Oil Tank	55105151-000	1	
2	Diaphragm, Oil Tank	55106151-000	1	
3	Bolt	96007-060168-00K	4	M6*P1.0*16L W/Washer
4	Asm., Oil Tank	55100131-002	1	
5	Asm., Cap, Fuel Tank	17620155-000	1	Incl. 6
6	Diaphragm, Fuel Cap	17625131-000	1	
7	Rubber, Fuel Tank	64319131-000	2	
8	Asm., Tank, Fuel	17500222-00A	1	
9	Clamp	94510-12000	2	
10	Clamp	94510-08000	2	
11	Valve, Fuel	17950131-000	1	
12	Bolt	96000-060128-10K	1	M6*P1.0*12L
13	Clamp	94510-08000	4	
14	Fuel hose	94401-05009-160	1	
15	Filter, Fuel	17952111-000	1	

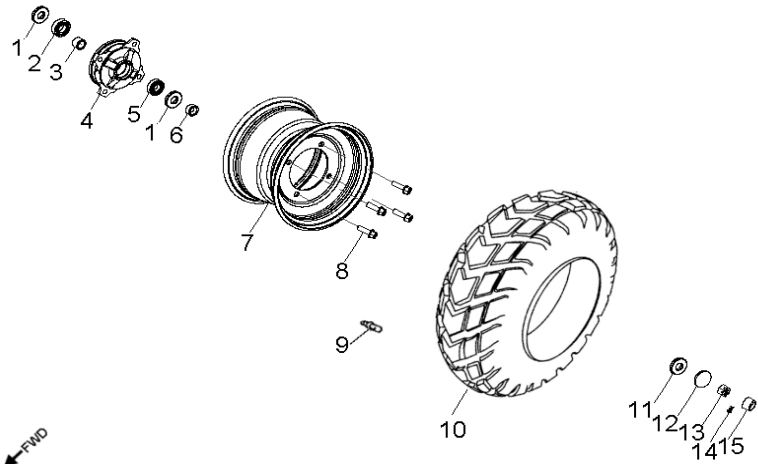
D-22:SUSPENSION

ITEM	DESCRIPTION	P/N	Q.ty	Note
1	Bolt	96000-100408-OKL	4	M10*P1.25*40L
2	Asm., Suspension, Front	51100218-038	2	
3	Bolt	92000-100408-OKL	2	M10*P1.25*40L
4	Nut	94050-10000-00C	4	M10*P1.25
5	Asm., Suspension, Rear	52400247-038	1	



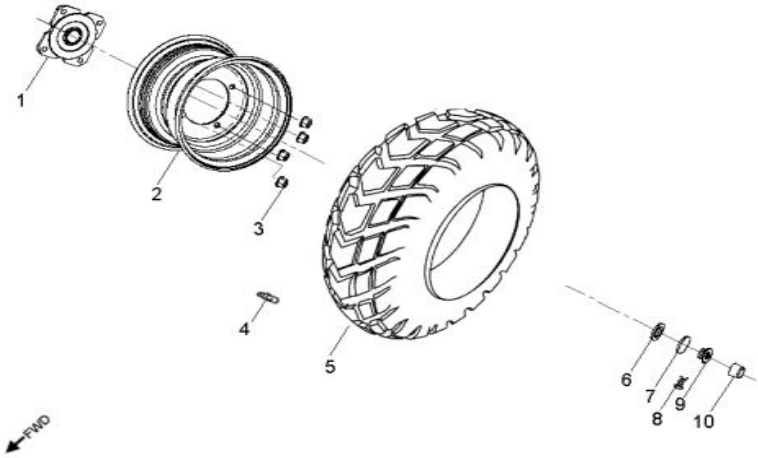
D-23:FRONT WHEEL

ITEM	DESCRIPTION	P/N	Q.ty	Note
1	Seal, Oil	96500-223507A7271	4	
2	Bearing, Ball	0490002-000	2	
3	Spacer	44311131-000	2	
4	Drum, Brake, Front	45130131-001	2	
5	Bearing, Ball	0490001-000	2	
6	Spacer	44312131-000	2	
7	Rim	42701153-067	2	
8	Bolt	96000-100208-00B	8	M10*P1.25*20L
9	Valve, Rim	42616131-000	2	
10	Tire	42711251-000	2	
11	Washer	94101-1243030-00C	2	φ12.2*φ43*t3
12	Washer	94121-1224016-000	2	φ12.2*φ24*t1.6
13	Nut, Lock	90351-12000-00C	2	M12*P1.25
14	Pin, Cotter	94201-32320	2	
15	Cap, Hub	42730151-000	2	



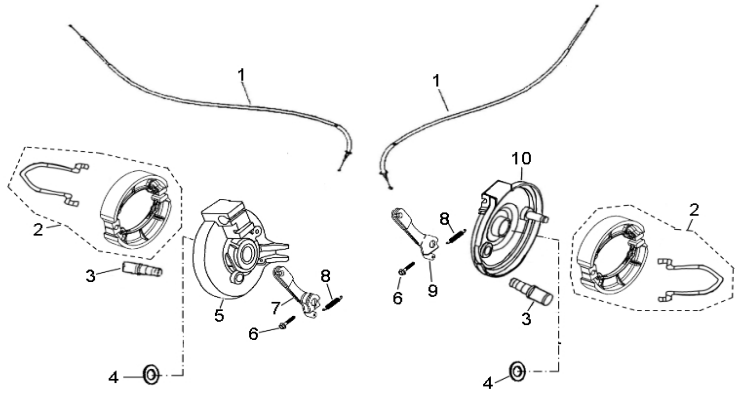
D-24:REAR WHEEL

ITEM	DESCRIPTION	P/N	Q.ty	Note
1	Wheel Hub	42010213-000	2	
2	Rim, Rear	4280139A-067	2	
3	Nut	90355-10000-14C	8	
4	Valve, Rim	42616131-000	2	
5	Tire	42811247-000	2	
6	Washer	94101-1443030-00C	2	φ14.1*φ43*t3
7	Washer	94121-1426016-000	2	φ14*φ26*t1.6
8	Pin, Cotter	94201-32320	2	
9	Nut, Lock	90351-14000-00C	2	M14*P1.5
10	Cap, Hub	42730151-000	2	



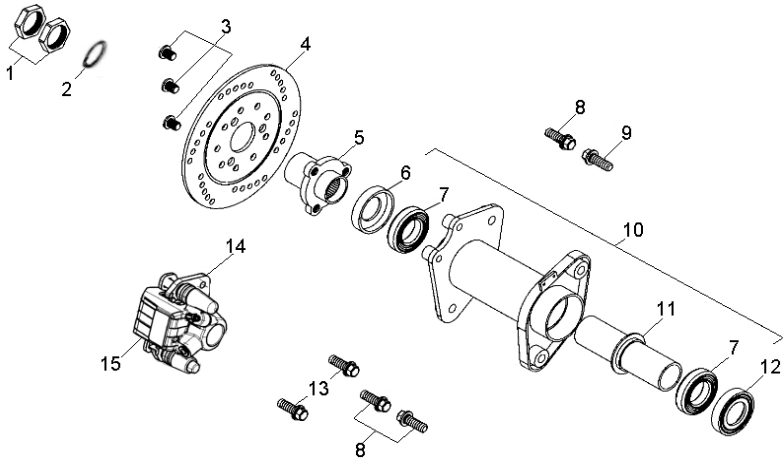
D-25:FRONT BRAKE

ITEM	DESCRIPTION	P/N	Q.ty	Note
1	Cable, Front Brake	45450212-000	2	
2	Asm., Shoe, Front Brake	45120131-00A	2	
3	Shaft, Cam, Front Brake	45141131-000	2	
4	Washer	94101-1722010-00K	2	φ17.1*φ21.8*t1
5	Plate, Front Brake, Rh	45020133-000	1	
6	Bolt	96000-050248-00C	2	M5*P0.8*24L
7	Arm, Front Brake, RH	45420131-000	1	
8	Spring, Return, Front	45143131-000	2	
9	Arm, Front Brake, LH	45410-131-000-00	1	
10	Plate, Front Brake, LH	45010133-000	1	

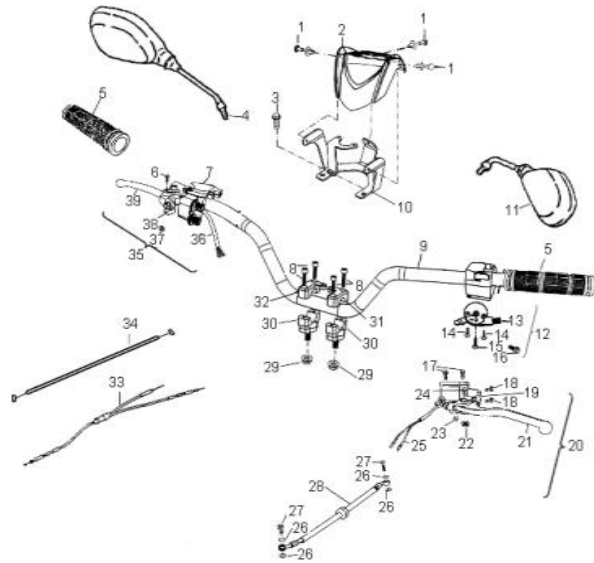


D-26:REAR BRAKE

ITEM	DESCRIPTION	P/N	Q.ty	Note
1	Nut	94001-28000-36K	2	
2	Washer	94121-2840030-000	1	φ28.2*φ40*t3
3	Bolt	45016131-00K	3	
4	Disc, Brake	45010180-000	1	
5	Hub, Disc	43490131-00K	1	
6	Seal, Oil	96500-355510A7271	1	
7	Bearing, Ball	0490003-000	2	
8	Bolt	96008-120288-OCL	3	M12*P1.25*28L
9	Bolt	96008-120328-OCL	1	M12*P1.25*32L
10	Asm., Housing, Rear Axle	42803218-385	1	
11	Tube, Spacer	42810180-000	1	
12	Seal, Oil	96500-405510A7271	1	
13	Bolt	96000-080408-OKL	2	
14	Asm., Caliper, Rear	45000131-00K	1	
15	Pads, Brake	45120131-00K	1	



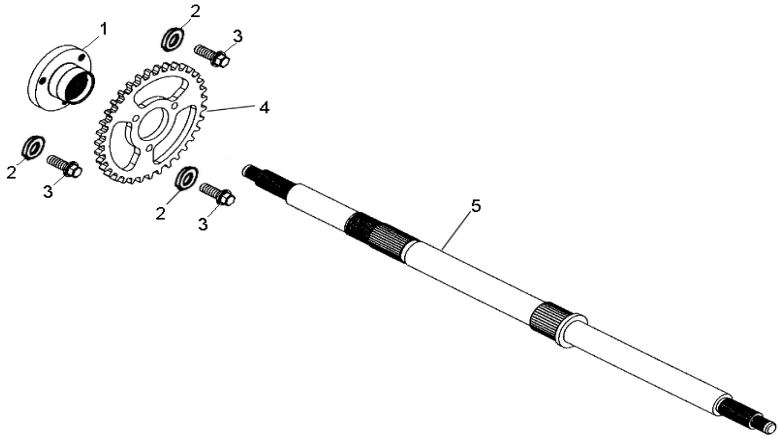
D-27:HANDLEBAR



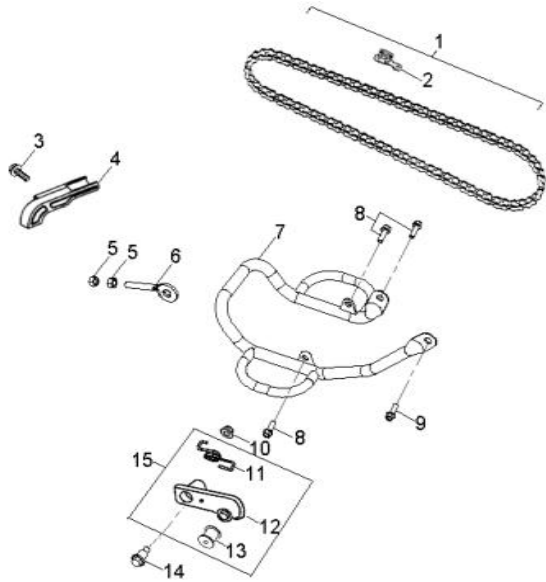
ITEM	DESCRIPTION	P/N	Q.ty	Note
1	Rivet, Plastic	61120201-000	3	
2	Pod, Handlebar	64211208-000	1	
3	Bolt	96000-060128-10K	2	M6*P1.0*12L
4	Mirror, RH	88110204-000	1	
5	Grip, Handlebar	53167201-000	2	
6	Bolt, Brake lever, RH	90115-090228-000	1	M9*P1.25*22L
7	Seat, Lever, RH	53176201-000	1	
8	Bolt	91000-060258-00K	4	M6*P1.0*25L
9	Handlebar	53100217-385	1	
10	Bracket, Pod	53310206-000	1	
11	Mirror, LH	88120201-001	1	Incl. 14~18
12	Asm., Switch, LH	35151206-001	1	Incl. 13~16
13	Asm., Manual Choke	35160201-000	1	
14	Screw	93100-030048-00B	2	M3*P0.6*4L
15	Bolt	93500-060088-00K	1	M6*P1.0*8L
16	Bolt	93500-030068-00C	1	M3*P0.6*6L
17	Screw	45465131-00K	2	
18	Bolt	96000-060258-08C	2	M6*P1.0*25L
19	Master Cylinder Bracket	53174131-00K	1	
20	Asm., Master Cylinder	43500180-000	1	Incl. 17~19 & 21~25
21	Lever, Brake, LH	53175131-00K	1	
22	Nut	94050-06000-00K	1	M6*P1.0
23	Spring	53184131-00K	1	
24	Bolt, Brake lever, LH	90115-090228-00K	1	
25	Asm., Sensor, Taillight, LH	35340131-00K	1	
26	Washer	94101-1015012-U0B	4	φ10.1*φ15*t1.2
27	Bolt, Banjo	45456111-000	2	
28	Hose, Brake	45447223-000	1	
29	Nut	90350-10000-00C	2	M10*P1.25
30	Clamp, Lower	53200131-000	2	
31	Clamp, Upper, LH	53210131-000	1	
32	Clamp, Upper, RH	53220131-000	1	
33	Cable, Throttle	53910212-000	1	
34	Cable, Choke	53921201-000	1	
35	Asm., Lever, RH	53172201-000	1	Incl. 36~39
36	Wire, Brake Switch	53174201-000	1	
37	Nut	90350-06000-00K	1	M6*P1.0
38	Bracket, Brake Cable	53177131-000	1	
39	Lever, Brake, RH	53175180-000	1	

D-28:REAR WHEEL AXLE

ITEM	DESCRIPTION	P/N	Q.ty	Note
1	Hub, Sprocket	41210180-000	1	
2	Washer, Spring	94111-0801502-00K	3	φ8.1*φ15*t0.2
3	Bolt	96000-080208-00K	3	M8*P1.25*20L
4	Sprocket, Drive, Final	41201180-000	1	35T
5	Axle	42000227-000	1	

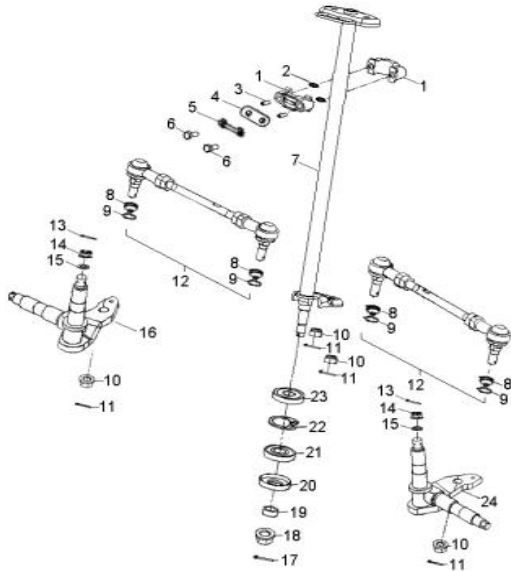


D-29:CHAIN



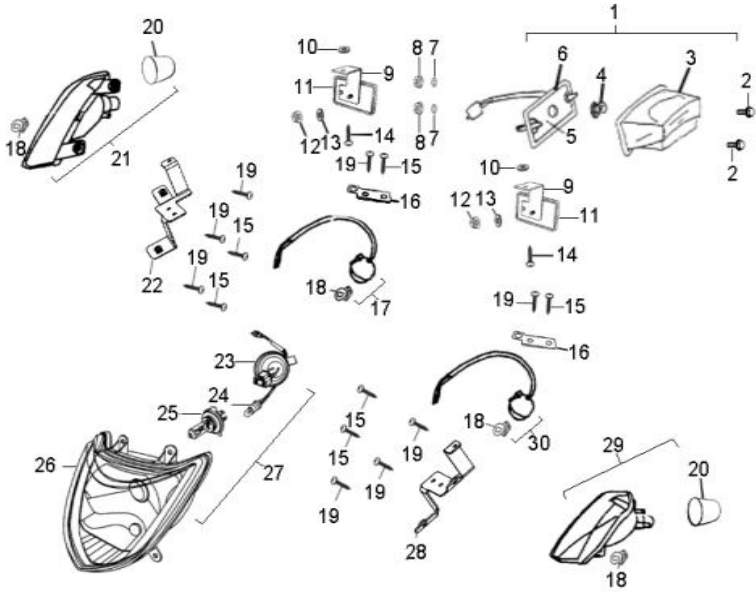
ITEM	DESCRIPTION	P/N	Q.ty	Note
1	Asm., Drive Chain	40530219-000	1	
2	Link, Master, Drive Chain	40531131-000	1	
3	Bolt	96000-080228-00K	1	M8*P1.25*22L
4	Protector, Chain	40521202-000	1	
5	Nut	94001-08000-14C	2	
6	Adjuster, Chain	40543201-000	1	
7	Protector, Chain	40521208-385	1	
8	Bolt	96000-080128-00K	3	M8*P1.25*12L
9	Bolt	96000-080168-00K	1	M8*P1.25*16L
10	Nut	90355-08000-14K	1	
11	Spring	40541156-000	1	
12	Fixed Bracket, Chain Tensioner	40539203-000	1	
13	Roller, Chain Tensioner	40545201-000	1	
14	Bolt	90108-080158-00K	1	M8*P1.25*15L
15	Asm., Chain Tensioner	40540203-000	1	Incl. 11~14

D-30:STEERING



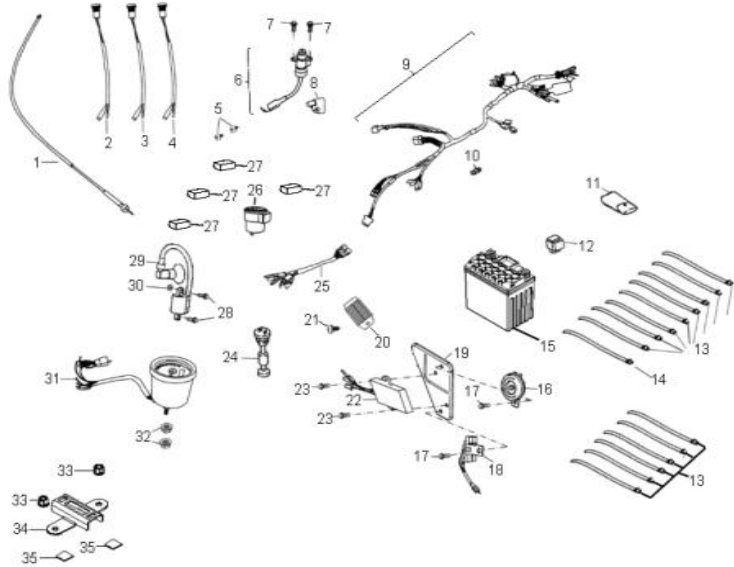
ITEM	DESCRIPTION	P/N	Q.ty	Note
1	Clamp, steering	53500203-000	2	
2	Steering Shaft Oil Seal	51225201-000	2	
3	Spacer	51317156-000	2	
4	Bracket, Wire Collector	51318201-000	1	
5	Washer, Lock	51319156-000	1	
6	Bolt	92000-080608-00B	2	M8*P1.25*60L
7	Shaft, Steering	51107223-385	1	
8	Boot	50423202-000	4	
9	Clamp, Ring	94514-09026	4	
10	Nut	90355-10000-14C	4	
11	Pin, Cotter	94201-25190	4	
12	Asm., Tie Rod	53410214-000	2	
13	Pin, Cotter	94201-16190	2	
14	Nut	90352-10000-00C	2	M10*P1.25
15	Washer	94121-1020010-000	2	φ10.1*φ20*t1
16	Knuckle, RH	51320131-001	1	
17	Pin, Cotter	94201-32320	1	
18	Nut	90355-14000-19C	1	
19	Spacer	44311131-000	1	
20	Seal, Oil	96500-223507A7271	1	
21	Bearing, Ball	96100-60020-ZZ000	1	6002ZZ
22	Clip, Cir	94512-3200R	1	
23	Seal, Oil	96500-183207A7271	1	
24	Knuckle, LH	51310131-001	1	

D-31:LIGHTS



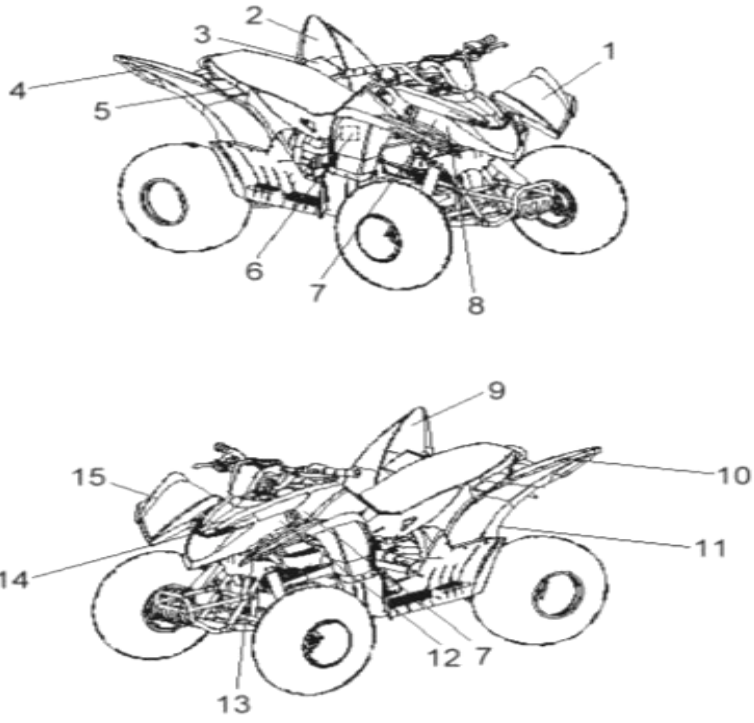
ITEM	DESCRIPTION	P/N	Q.ty	Note
1	Asm., Taillight	3370039A-000	1	Incl. 2~6
2	Bolt	93500-035398-SUS	2	M3*P0.6*38L
3	Lens, Taillight	33702202-000	1	
4	Bulb, Taillight	34906201-000	1	
5	Socket, Taillight	33711204-000	1	
6	Gasket	33716205-000	1	
7	Washer	94101-0619010-00C	2	φ6.1*φ19*t1
8	Nut	94050-06000-00C	2	M6*P1.0
9	Bracket, Reflector	33408202-000	2	
10	Washer	94101-0412010-00K	2	φ4*φ12*t1
11	Reflector	33741131-000	2	
12	Nut	94050-05000-00C	2	M5*P0.8
13	Washer	94101-0519010-00K	2	φ5.1*φ19*t1
14	Screw, Tapping	93906-1040168-00K	2	
15	Bolt	93100-050128-00K	6	M5*P0.8*12L
16	Bracket, Signal, Rear	33406201-000	2	
17	Asm., Signal, Rear, RH	33800202-000	1	Incl. 18
18	Bulb, Signal	33905202-000	4	10W
19	Screw, Tapping	93906-1040128-00K	8	
20	Boot	51200203-000	2	
21	Asm., Signal, Front, RH	33400208-000	1	Incl. 18 & 20
22	Bracket, Front Signal, RH	33415204-000	1	
23	Socket, Headlight	33111204-000	1	
24	Bulb, Parking	34909180-000	1	5W
25	Bulb, Headlight	34901205-000	1	35W
26	Housing, Headlight	33110205-000	1	
27	Asm., Headlight	33100209-000	1	Incl. 23~26
28	Bracket, Front Signal, LH	33416204-000	1	
29	Asm., Signal, Front, LH	33450208-000	1	Incl. 18 & 20
30	Asm., Signal, Rear, LH	33850202-000	1	Incl. 18

D-32:ELECTRICAL PARTS



ITEM	DESCRIPTION	P/N	Q.ty	Note
1	Speedometer Cable	37830204-000	1	
2	Lamp, Warning, Low Oil	34908203-000	1	
3	Indicator, Reverse	34911206-000	1	
4	Indicator, Neutral	34918205-000	1	
5	Bolt	93100-050128-00K	2	M5*P0.8*12L
6	Asm., Main Switch	35100239-000	1	Incl. 8
7	Bolt	96000-050168-00K	2	M5*P0.8*16L
8	Lock, Steering	35106209-000	1	
9	Harness, Main Wire	32103217-000	1	Incl. 10
10	Fuse	98200113-000	1	7A30V
11	Pouch, Tool	89120111-001	1	
12	Starter Relay	38501111-000	1	
13	Strap	89569131-000	14	ALT-200M-B
14	Strap	89769111-000	1	
15	Battery	31500111-001	1	4AH
16	Horn	38110111-000	1	
17	Bolt	96000-060128-10K	2	M6*P1.0*12L
18	Asm., Resistor	38601202-000	1	
19	Bracket, Electrical	32104202-000	1	
20	Rectifier/ Regulator	31600212-002	1	
21	Bolt	93500-050148-00C	1	M5*P0.8*14L
22	Asm., CDI Unit	30410202-000	1	
23	Bolt	96000-060168-10K	2	M6*P1.0*16L
24	Asm., Oil Level Gauge	35410203-001	1	
25	Extended Wires	32101204-000	1	
26	Relay, Signal	38302133-000	1	
27	Tape	89720156-000	4	
28	Bolt	96000-060228-00K	2	M6*P1.0*22L
29	Asm., Ignition Coil	30510151-000	1	
30	Washer, Star	94103-0600000-00C	1	M6*P1.0
31	Asm., Speedometer	37200220-000	1	
32	Nut	94050-05000-00C	2	M5*P0.8
33	Nut	94050-06000-00K	2	M6*P1.0
34	Bracket, Battery	3150210A-000	1	
35	Foam	31510204-000	2	

D-33:DECAL



ITEM	DESCRIPTION	P/N	Q.ty	Note
1	Decal, Front Fender, Lh	87719213-116	1	Black
		87719213-133		White
2	Decal, Rear Fender, Lh	87748247-116	1	Black
		87748247-133		White
3	Decal, General Waring	87852201-000	1	
4	Decal, Rear Fender, Rh	87747248-116	1	Black
		87747248-133		White
5	Decal, Waring, Y-16	87851173-000	1	
6	Decal, Waring, Reverse	87854202-000	1	
7	Decal, 50	87715234-116	2	Black
		87715234-133		White
8	Decal, Tank, Rh	87720243-000	1	
9	Decal, Rear Fender, Rh	87747247-116	1	Black
		87747247-133		White
10	Decal, Rear Fender, Lh	87748248-116	1	Black
		87748248-133		White
11	Decal, Waring, Chain	87858201-000	1	
12	Decal, Tank, Lh	87721243-000	1	
13	Decal, Fragile, Frame	87871201-000	1	
14	Decal, Headlight	87702207-116	1	Black
		87702207-133		White
15	Decal, Front Fender, Rh	87718213-116	1	Black
		87718213-133		White