

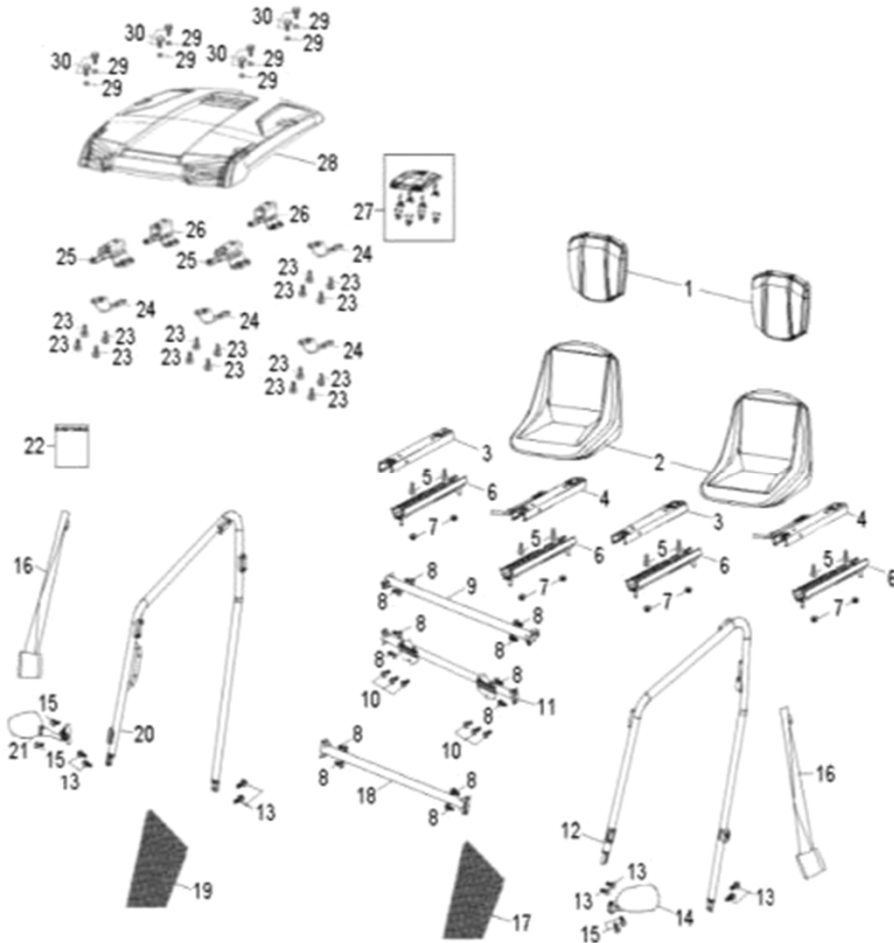
CUBE XPS

FUN & FUNCTION



AEON
ATV SPECIALIST

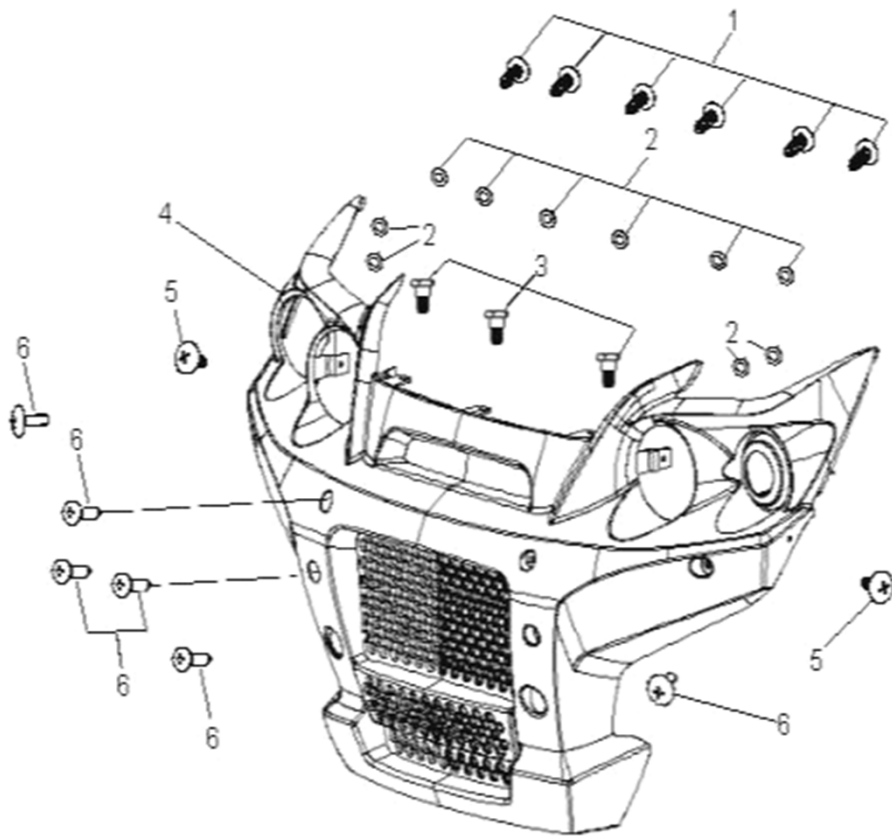
D-1: SEAT & CAGE



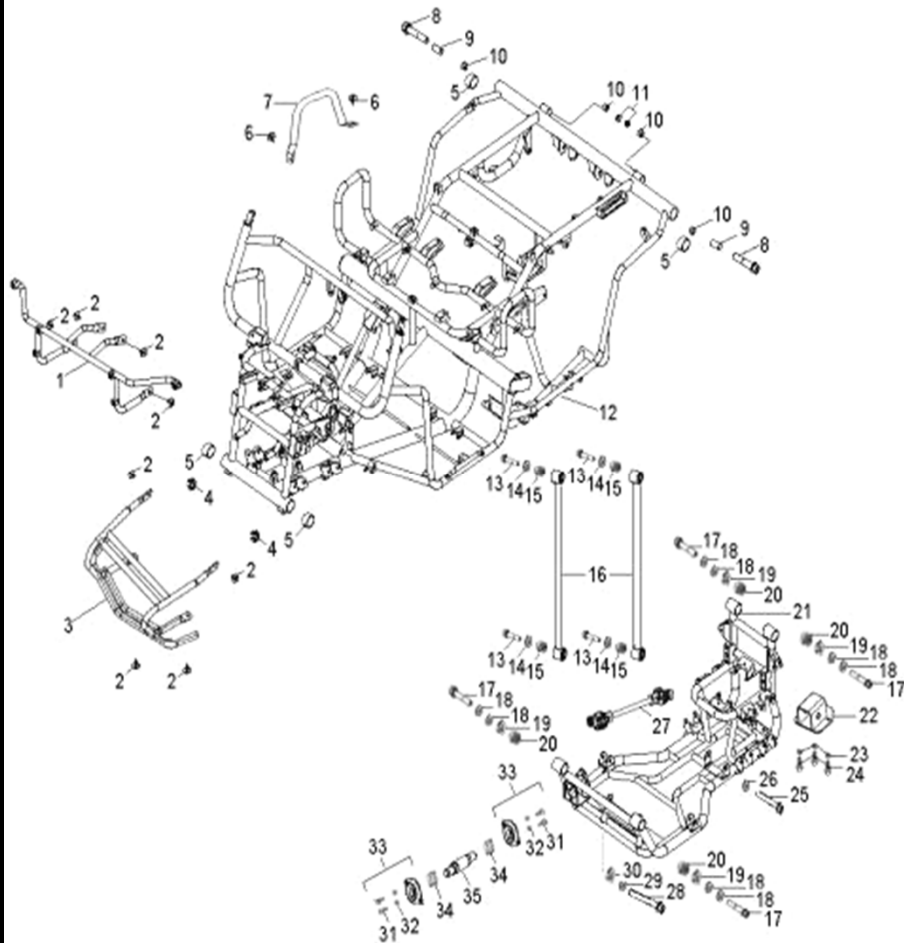
Item	Description	Part Number	Q.ty	Note
1	Headrest	77250201-000	2	
2	Seat	77240201-000	2	
3	Seat Guider,upper, RH	77249201-000	2	
4	Seat Guider,upper, LH	77248201-000	2	
5	Bolt	96000-080168-OKL	8	M8x16x1.25
6	Seat Guider, Bottom	77247201-000	4	
7	Nut	90355-08000-OUK	8	M8x1.25
8	Bolt	91006-080188-OKL	12	M8x18x1.25
9	Frame, Cage, Rear	50148204-458	1	
10	Bolt	96007-060168-00K	6	M6x16x1.0 + washer
11	Frame, Cage, Rear	50148203-458	1	
12	Frame, Cage, LH	50146202-458	1	
13	Bolt	91006-080258-OKL	8	M8x25x1.25
14	Mirror, LH	88120205-000	1	
15	Bolt	91000-060128-OKL	4	
16	Asm, Seat Belt	88170202-000	2	
17	Cab Net, Lower, Left	50218201-000	1	
18	Frame, Cage, Front	50147201-458	1	
19	Cab Net, Lower, Right	50219201-000	1	
20	Frame, Cage, RH	50145202-458	1	
21	Mirror, RH	88110205-000	1	
22	Manual, Owner's	88510245-000	1	
23	Bolt	96007-060168-00K	16	M6x16x1.0 + washer
24	Clamp, lower, sun top	64323201-000	4	
25	Clamp, upper, sun top	64322201-000	2	
26	Clamp, upper, sun top	64322202-000	2	
27	Assembly Instruction , Su	64308201-000	1	
28	Sun Top	64314201-000	1	
29	Washer	94101-0818016-00K	8	
30	Bolt	96000-080168-OKL	8	M8x16x1.25

D-2: BUMPER

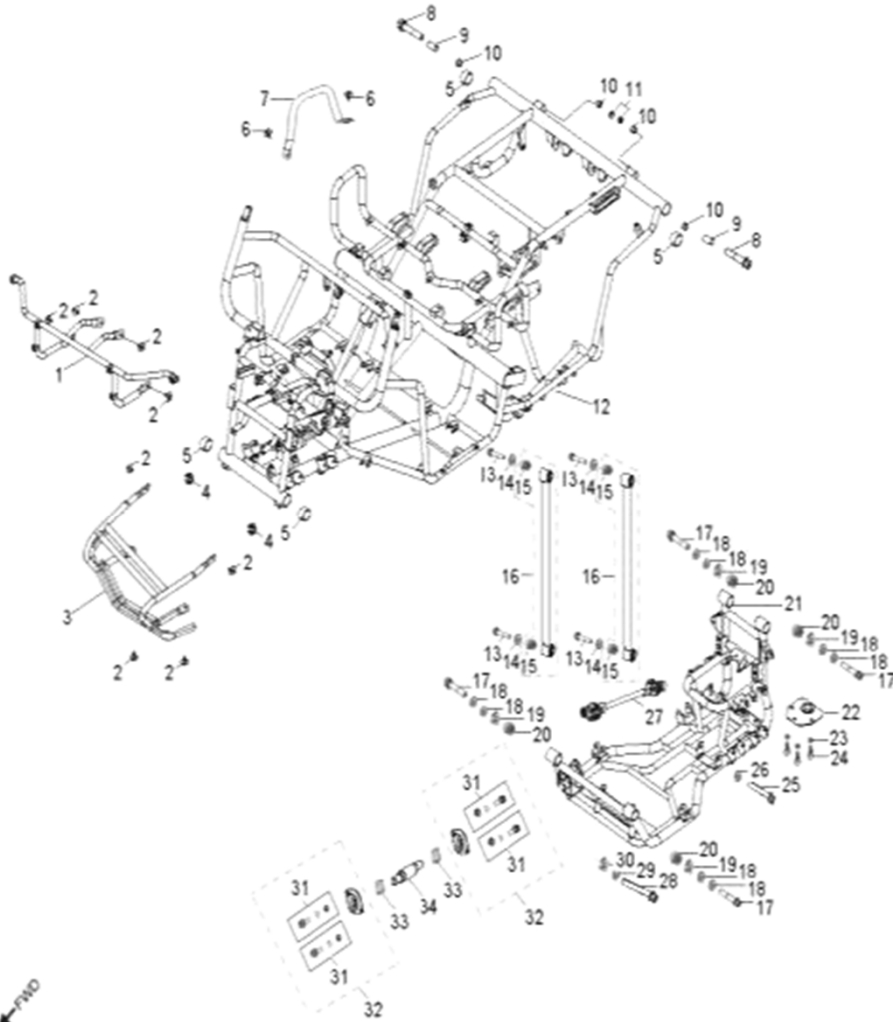
Item	Description	Part Number	Q.ty	Note
1	Screw	93903-1050168-00K	6	M5x16
2	Washer	94101-0514010-00K	10	5.1x14x1
3	Bolt	92003-060168-00K	3	M6x16x1.0 + washer
4	Cover, Front Bumper	50461211-000	1	
5	Bolt	93100-050168-00K	2	M5x16
6	Bolt	93800-060128-00K	6	M6x12x1.0



D-3: FRAME BODY

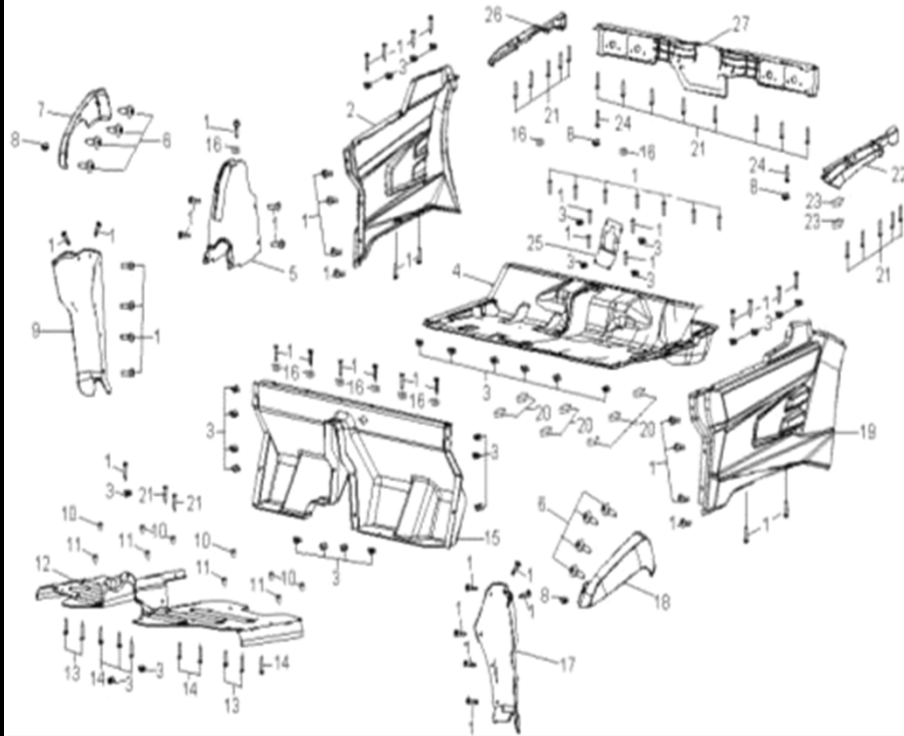


Item	Description	Part Number	Q.ty	Note
1	Bracket, Bumper	50450226-000	1	
2	Bolt	92001-080168-OKL	8	M8x16x1.25
3	Bumper	50455214-067	1	
4	Cap, Plastic	81151202-000	2	
5	Cap, Dustproof	52424208-000	4	
6	Bolt	92001-080168-OKL	2	M8x16x1.25
7	Grab Bar	53162202-000	1	
8	Bolt	96000-120738-14K	2	M12x73x1.25
9	Tube Dump Box	50156201-000	2	
10	Seat, Grease Contain	52524131-000	4	
11	Nut	90355-12000-0UK	2	M12x1.25
12	Asm., Frame	50100295-067	1	
13	Bolt	96000-120608-OKL	4	
14	Nut	94050-12000-0OK	4	M12x1.25
15	Bushing	96400-123037	4	
16	Brace, Frame	50128201-000	2	
17	Bolt	92000-161088-00K	4	
18	Washer	94101-1629030-00K	8	
19	Nut	94050-16000-0UK	4	
20	Bushing	96400-163959	4	
21	Swing Arm	50358203-067	1	
22	Hitch	71601201-000	1	
23	Nut	94050-10000-0OC	3	M10x1.25
24	Bolt	96000-100228-OKL	3	
25	Bolt	96000-101308-00B	1	M10x130x1.25
26	Nut	94050-10000-0UC	1	
27	Linkage	52437205-000	1	
28	Bolt	96000-102008-00K	1	M10x200x1.25
29	Washer	94101-1022020-00K	1	10.1x22x2
30	Nut	90350-10000-0UK	1	M10x1.25
31	Bolt, Carriage	95021-080208-00C	4	
32	Nut	94050-08000-0UC	4	
33	Transfer Bearing	21390201-000	2	
34	COMPRESS SPRING	11705202-000	2	
35	Shaft, Drive	52440202-000	1	



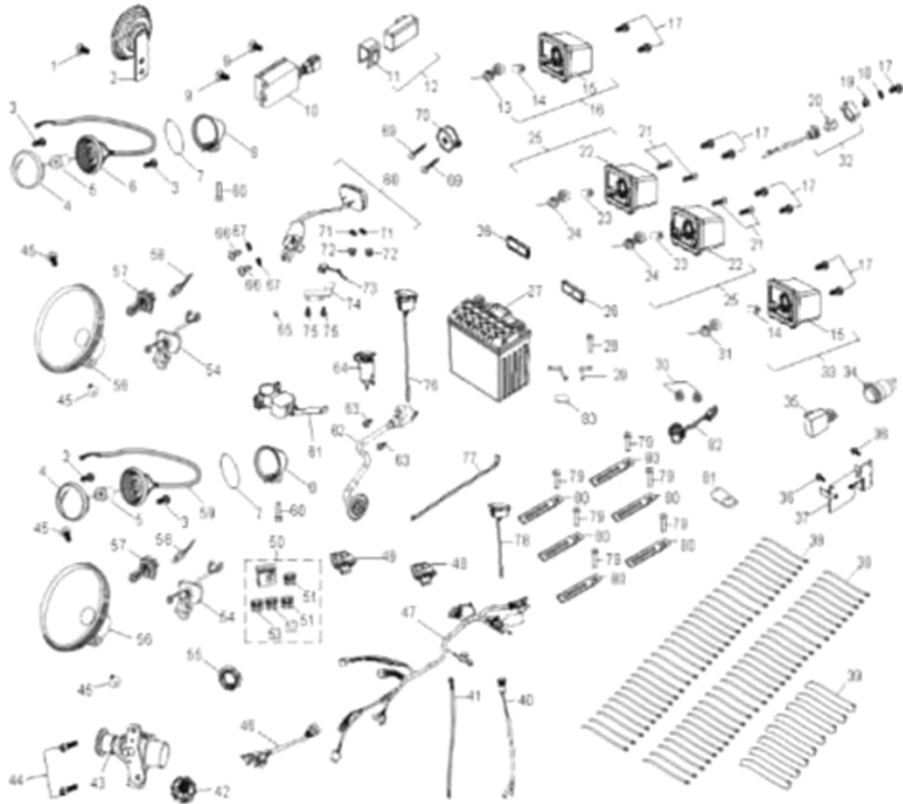
Item	Description	Part Number	Q.ty	Note
1	Bracket, Bumper	50450226-000	1	
2	Bolt	92001-080168-OKL	8	M8x16x1.25
3	Bumper	50455214-067	1	
4	Cap, Plastic	81151202-000	2	
5	Cap, Dustproof	52424208-000	4	
6	Bolt	92001-080168-OKL	2	M8x16x1.25
7	Grab Bar	53162202-000	1	
8	Bolt	96000-120738-14K	2	M12x73x1.25
9	Tube Dump Box	50156201-000	2	
10	Seat, Grease Contain	52524131-000	4	
11	Nut	90355-12000-17K	2	
12	Asm., Frame	50100295-067	1	
13	Bolt	96000-120588-OKL	4	
14	Nut	94050-12000-00K	4	M12x1.25
15	Bushing	96400-123037	4	
16	Brace, Frame	50128201-000	2	
17	Bolt	96000-161058-17K	4	M16x105x1.5
18	Washer	94101-1629030-00K	8	
19	Nut	90355-16000-24K	4	
20	Bushing	96400-163959	4	
21	Swing Arm	50358205-067	1	
22	Hitch	71601204-000	1	
23	Nut	94050-10000-00C	3	M10x1.25
24	Bolt	96000-100228-OKL	3	
25	Bolt	96000-101308-00B	1	M10x130x1.25
26	Nut	90355-10000-14C	1	
27	Propeller shaft, Rear	52437205-000	1	
28	Bolt	96000-102008-00B	1	M10x200x1.25
29	Washer	94101-1022020-00C	1	10.1x22x2
30	Nut	90355-10000-14C	1	
31	Bolt Kits, Transfer Bearing	88311201-000	4	
32	Transfer Bearing	21390201-000	2	
33	Compression Spring	11705202-000	2	
34	Shaft, Drive	52440202-000	1	

D-4: MOLDINGS



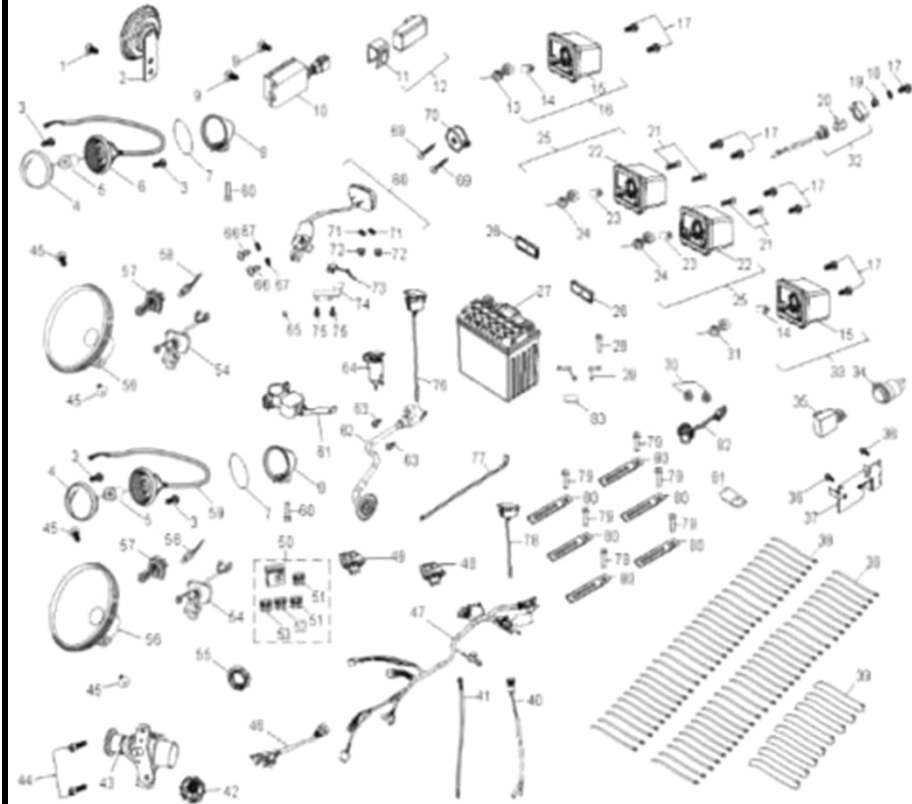
Item	Description	Part Number	Q.ty	Note
1	Bolt	93800-060168-00K	55	M6x16x1.0
2	Panel, Side, RH	83500217-000	1	
3	U-Nut, M6	61121202-00D	32	M6x1.0
4	Shield, Seat	61014203-000	1	
5	Shield, Parking Lever	61015201-000	1	
6	Screw	93903-1040128-00K	8	M4x12
7	Fender, Upper, RH	62110201-000	1	
8	U-Nut, M5	61121203-00C	4	M5x0.8
9	Fender, Middle, RH	62130202-000	1	
10	Washer	94150-0717050-00K	6	7.1x17x5
11	Washer	94150-0717095-00K	4	7.1x17x9.5
12	Floor	64220203-000	1	
13	Bolt	96007-060208-00K	4	
14	Bolt	96007-060168-00K	6	M6x16x1.0 + washer
15	Venner, Seat Shield	61016202-000	1	
16	Washer	94101-0618015-00K	9	6.1x18x1.5
17	Fender, Middle, LH	62120202-000	1	
18	Fender, Upper, LH	62100201-000	1	
19	Panel, Side, LH	83600217-000	1	
20	Foam, battery	81113153-000	7	
21	Screw	93903-1050168-00K	20	M5x16
22	Fender, Rear, LH	62820202-000	1	
23	Foam, battery	81113206-000	2	
24	Bolt	93100-050168-00K	2	M5x16
25	Heat Shield	61018201-000	1	
26	Fender, Rear, RH	62810202-000	1	
27	License Plate	33708209-000	1	

D-5: ELECTRICAL PARTS



Item	Description	Part Number	Q.ty	Note
1	Bolt	96000-080128-OKL	1	M8x12x1.25
2	Horn	38110119-000	1	
3	Screw	93903-1030148-00C	4	M3x14
4	Lens, Signal	33603201-000	2	
5	Bulb, Signal	33905205-000	2	
6	Socket, Signal, RH	33442201-000	1	
7	O-Ring	93210-04920	2	
8	Socket Signal	33604201-000	2	
9	Bolt	96000-060148-10K	2	M6x14x1.0
10	Rectifier/ Regulator	31600210-000	1	
11	Pad, Rubber	30411207-000	1	
12	Asm., CDI Unit	30410231-000	1	
13	Socket, Rear Signal, RH	33720201-000	1	
14	Bulb, Signal	33905203-000	2	
15	Lens, Signal, Rear	33703201-000	2	
16	Asm., Signal, Rear, RH	33800205-000	1	
17	Bolt	93100-050168-00K	9	M5x16
18	Washer	94101-0514010-00K	1	5.1x14x1
19	Nut	90350-05000-00K	1	M5x0.8
20	Bulb, License Light	33709131-000	1	
21	Bolt	93500-030088-SUS	4	M3x8x0.6
22	Lens, Taillight	33702201-000	2	
23	Bulb, Taillight	34906116-00A	2	
24	Socket, Taillight	33711203-000	2	
25	Asm., Taillight	33700209-000	2	
26	Reflector	33741203-000	2	
27	Battery	3150039A-000	1	12AH
28	Bolt	96000-060168-10K	1	M6x16x1.0
29	Strap, Battery	89751201-000	1	
30	Nut	94050-06000-00K	2	M6x1.0
31	Socket, Rear Signal, LH	33725201-000	1	
32	Asm., License Light	33750202-000	1	
33	Asm., Signal, Rear, LH	33850205-000	1	
34	Relay, Signal	38302204-000	1	
35	Relay, Parking	38701202-000	1	
36	Bolt	96000-060128-10K	2	M6x12x1.0
37	Bracket, Electrical	32104210-000	1	
38	Strap	89569131-000	60	ALT-200M-B
39	Strap	89669213-000	8	
40	Lamp, Parking Brake	34923201-000	1	

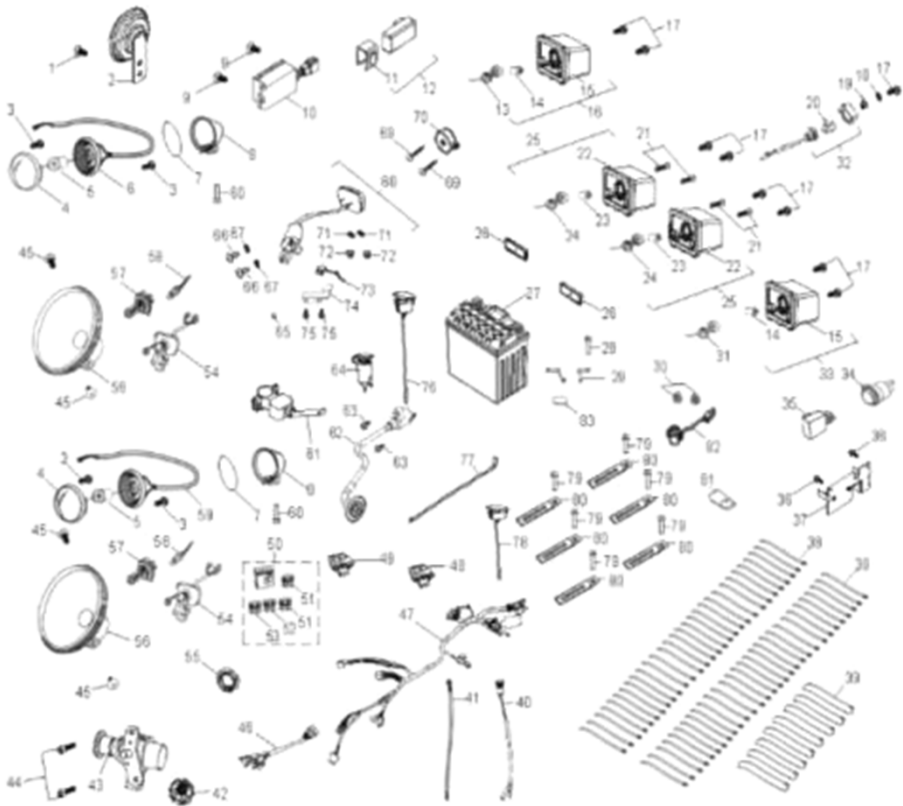
D-5: ELECTRICAL PARTS

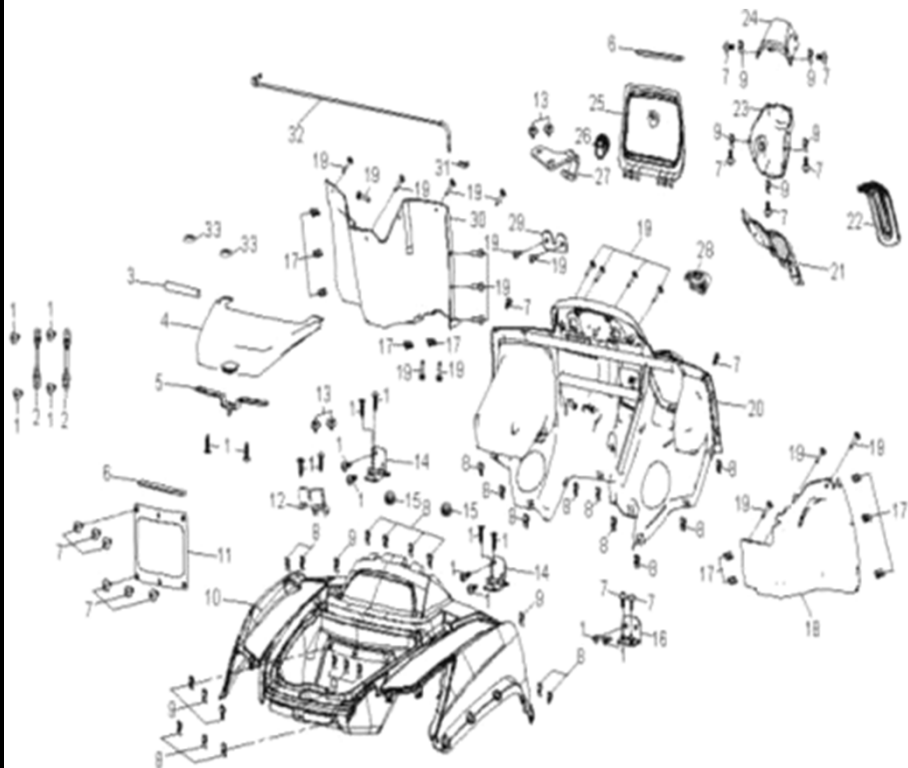


Item	Description	Part Number	Q.ty	Note
41	Asm., Battery Cable	3200155E-000	1	
42	Asm., Cap, Fuel Tank	17620207-000	1	
43	Switch, Main	35102220-000	1	
44	Bolt	91000-060168-OKL	2	M6x16x1.0
45	Bolt	96000-050128-00K	4	M5x12x0.8
46	Harness, Main Wire	32103218-001	1	
47	Extended Wires	32101210-001	1	
48	Switch, Low / High Beam	35154201-000	1	
49	Switch, Headlight	35153201-000	1	
50	Fuse Box	32109201-000	1	
51	Fuse	32106201-000	2	15A
52	Fuse	32106202-000	1	10A
53	Fuse	32106203-000	1	30A
54	Socket, Headlight	33111226-000	2	
55	Cap, Lock, hood	35112201-000	1	
56	Lens, Headlight	33110225-000	2	
57	Bulb, Headlight	34901222-000	2	
58	Bulb, Parking	34909203-000	2	
59	Socket, Signal, LH	33441201-000	1	
60	Bolt	96000-060108-10K	2	
61	Switch Lever, Signal / H	35156202-000	1	
62	Asm., Ignition Coil	30510210-000	1	
63	Bolt	96000-060208-10K	2	M6x20x1.0
64	Power Supporter	38130179-000	1	
65	Magnet, Speedometer	37203206-000	1	
66	Bolt	93500-040128-00C	2	M4x12
67	Washer	94111-0412010-00K	2	4x12x1
68	Asm., Speedometer	37200224-000	1	
69	Screw	93903-1030128-00C	2	M3x12
70	Buzzer, Reverse	34922201-000	1	
71	Washer	94101-0510010-00B	2	5.1x10x1
72	Nut	94050-05000-00C	2	M5x0.8
73	Sensor, Speedometer	37206202-000	1	
74	Bracket, Speedometer S	37207201-000	1	
75	Bolt	96000-060148-OKL	2	M6x14x1.0
76	Switch, Hazard	35155201-000	1	
77	Choke, Cable, Manual	53922207-000	1	
78	Switch, 2D/4D	50327201-000	1	
79	Screw	93903-1040128-00K	6	M4x12
80	Strap	89669214-000	6	

D-5: ELECTRICAL PARTS

Item	Description	Part Number	Q.ty	Note
81	Pouch, Tool	89120206-000	1	
82	Starter Relay	38501119-000	1	
83	Foam, battery	81113203-000	1	

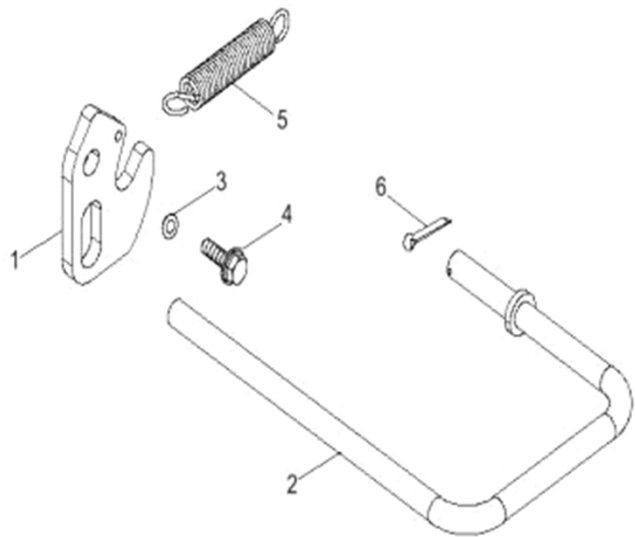




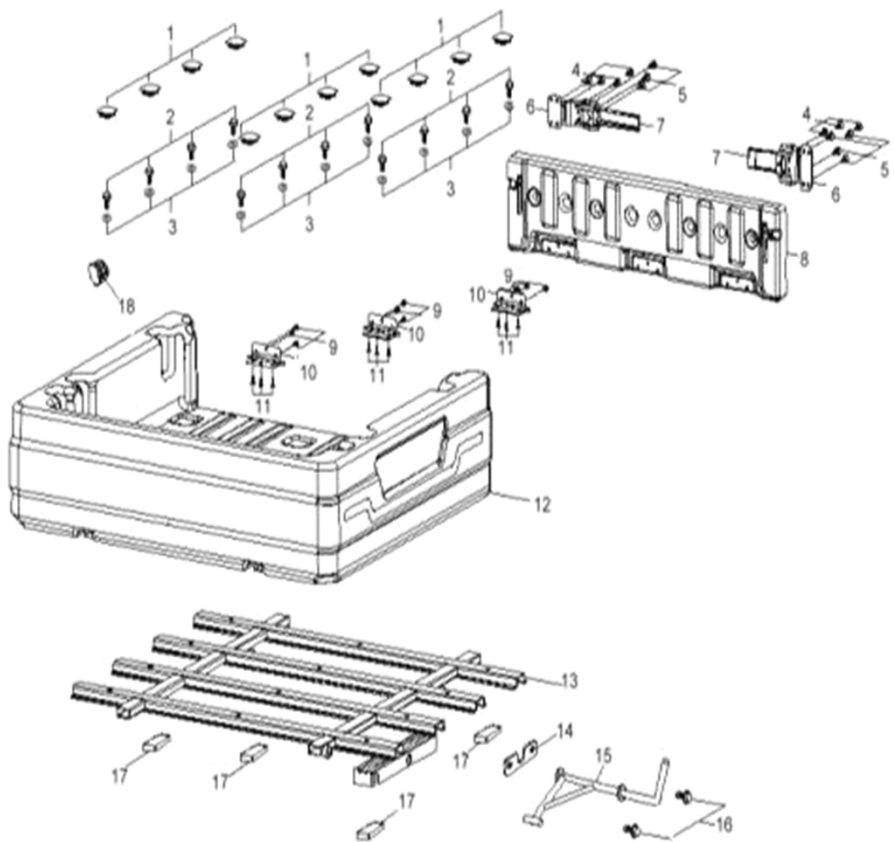
Item	Description	Part Number	Q.ty	Note
1	Screw	93903-1050128-00K	18	M5x12
2	String, hood	77238202-000	2	
3	Supporter, Hood	77101202-000	1	
4	Hood	77227204-507	1	
5	Latch, Hood	77219203-000	1	
6	Gasket	50812201-000	2	
7	Bolt	93100-050168-00K	15	M5x16
8	U-Nut	90344-06000-00C	20	M6x1.0
9	U-Nut,M5	61121203-00C	13	M5x0.8
10	Cab, Front	61100223-507	1	
11	Cap, Water	19111201-000	1	
12	Lock striker	77231181-000	1	also use in hood
13	Bolt	96007-060188-00K	4	M6x18x1.0 + washer
14	Hinge, Dumping Box	50178203-000	2	
15	Plug, Rubbe, Hood	50424203-000	2	
16	Bracket, lock, hood	83604201-000	1	
17	U-Nut · M6	61121202-00D	10	M6x1.0
18	Fender, Bottem, LH	62830201-000	1	
19	Bolt	93800-060168-00K	19	M6x16x1.0
20	Speedometer Cover	37191201-000	1	
21	Mudguard, Pedal	61017201-000	1	
22	Rubber, shift lever	21334201-000	1	
23	Cover, Steering wheel, B	61112201-000	1	
24	Cover, Steering wheel, U	61111201-000	1	
25	Cover, compartment	37192201-000	1	
26	Lock,, compartment	35120201-000	1	
27	Bracket, lock, hood	83604202-000	1	
28	Lock , Seat	77233201-000	1	
29	Bracket, Chock	37193201-000	1	
30	Fender, Bottem, RH	62840202-000	1	
31	Bracket, Striker Cable	50216201-000	1	
32	String, Dumping Box	50173202-000	1	
33	Foam	17502205-000	2	

D-7: DUMP BOX LATCH

Item	Description	Part Number	Q.ty	Note
1	Latch	50175201-000	1	
2	Lever, Latch	50176201-000	1	
3	Washer	94101-0822020-00C	1	8x22x2
4	Bolt	96000-080168-OKL	1	M8x16x1.25
5	Spring, Latch	50177201-000	1	
6	Pin, Cotter	94201-32320	1	

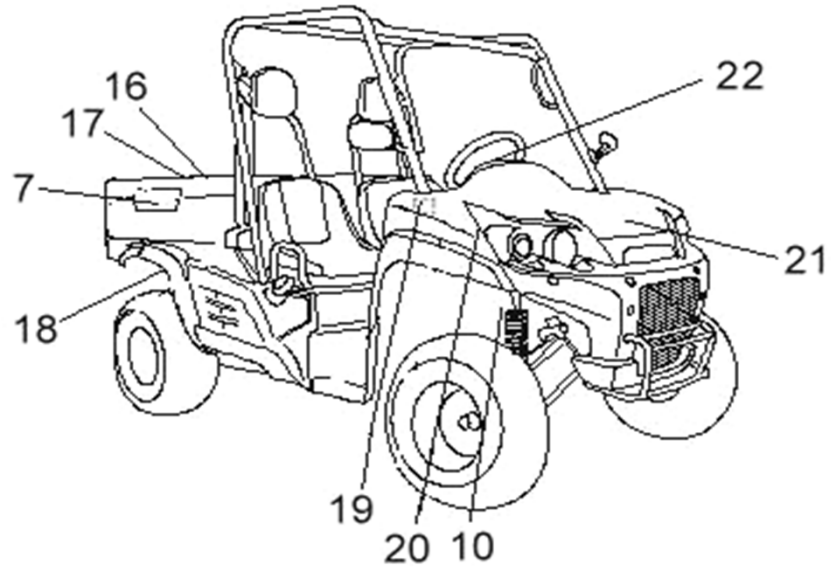
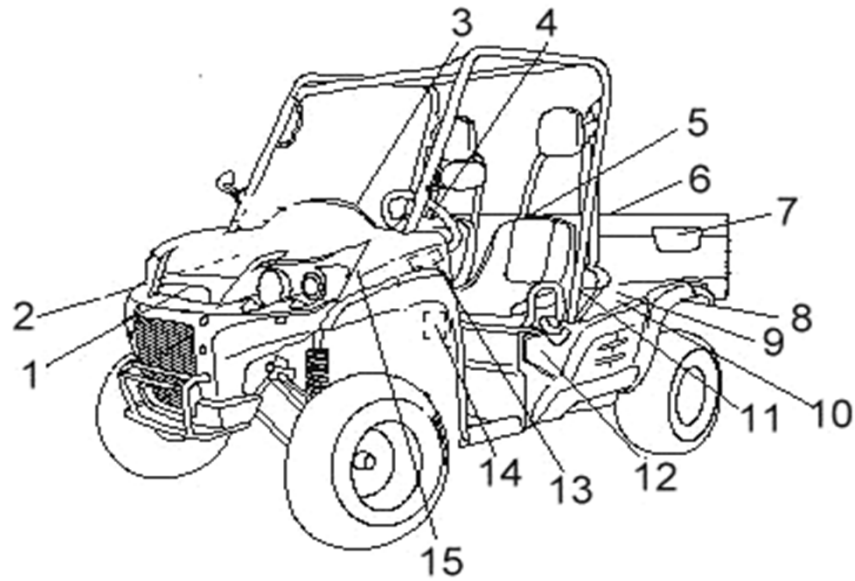


D-8: DUMP BOX



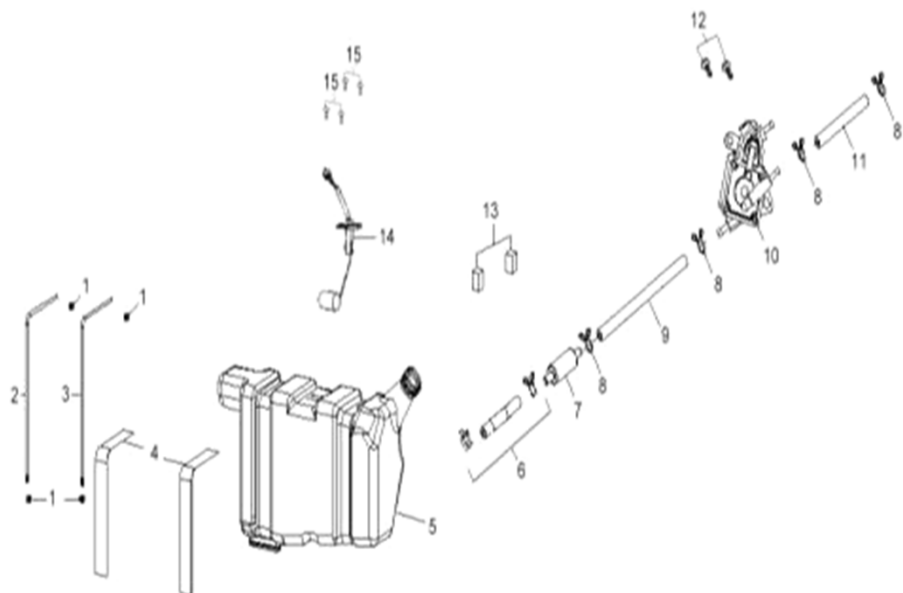
Item	Description	Part Number	Q.ty	Note
1	Rubber, Box	50205201-000	12	
2	Bolt	96000-100258-OKL	12	M10x25x1.25
3	Washer	94101-1028020-00B	12	
4	Screw	93903-1050168-00K	8	M5x16
5	Bolt	93100-050168-00K	6	M5x16
6	Snap Hook	50180201-000	2	
7	Snap Fastener	50179202-000	2	
8	Tailgate, Box	50172201-000	1	
9	Bolt	93800-060288-00K	9	
10	Hinge, Dumping Box	50178201-000	3	
11	Bolt	93800-060458-00K	9	M6x45x1.0
12	Dump Box	50171201-000	1	
13	Base, Box	50174201-067	1	
14	Bracket, uphold	16132201-000	1	
15	Upholder, Box	50206202-000	1	
16	Bolt	96000-060148-OKL	2	M6x14x1.0
17	Foam	31510202-000	4	
18	Cap, Box	19611156-000	1	

D-9: DECALS

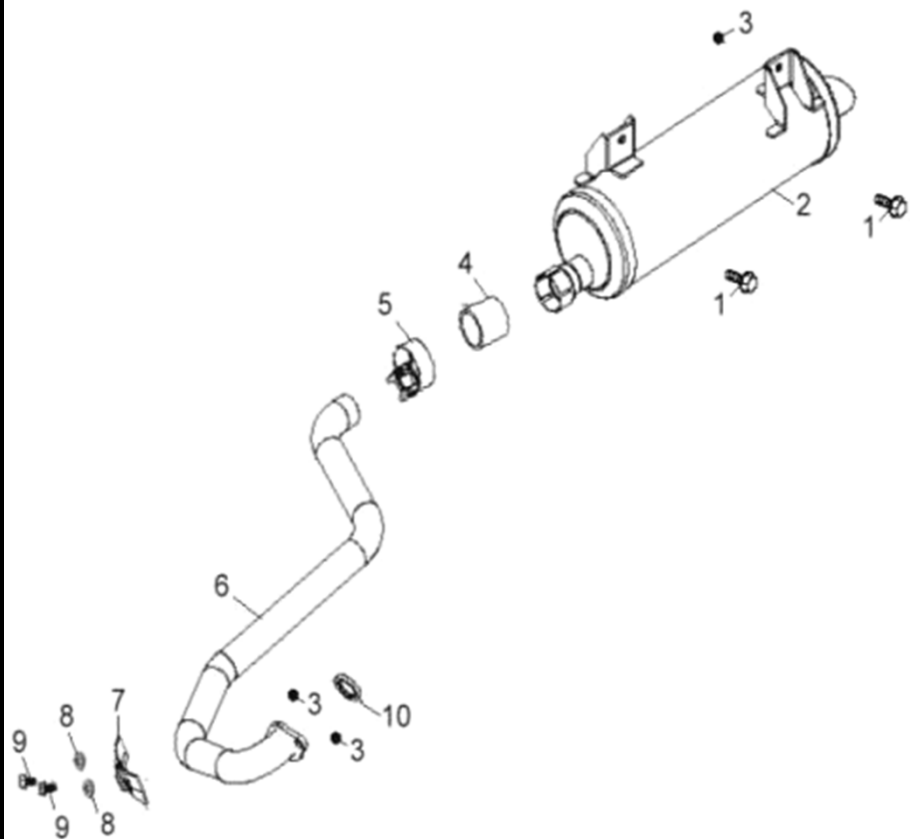


Item	Description	Part Number	Q.ty	Note
1	Decal, AEON, Logo	87711243-000	1	
2	Decal, Warning, Hood	87842201-001	1	
3	Decal, Shift	87859201-000	1	
4	Decal, AEON Logo	87711233-000	1	
5	Decal, Tire Pressure	87864201-000	1	
6	Decal, CUBE X 4	87749203-000	1	
7	Decal, AEON, Logo	87711244-000	2	
8	Decal-"drain bolt"	87843201-000	1	
9	Decal, Dump Box, Warni	87740201-000	1	
10	Decal, Fragile, Frame	87871201-000	2	
11	Decal, Cage, Warning	87737201-000	1	
12	Decal, Fuel, Warning	87738201-000	1	
13	Decal, Warning, General	87852202-000	1	
14	Decal, Operating	87735201-000	1	
15	Decal-Left,Front Light	87707202-000	1	
16	Decal, Dump Box, Warni	87740202-000	1	
17	Decal, Dump Box, Warni	87740203-000	1	
18	Decal, Hot, Warning	87734201-000	1	
19	Decal, Rollover,Warning	87736201-000	1	
20	Decal, Logo, Headlight, f	87706202-000	1	
21	Decal, Hood	87844203-000	1	
22	Decal, Warning, AWD S	87004201-000	1	

Item	Description	Part Number	Q.ty	Note
1	Nut	90355-08000-0UK	4	M8x1.25
2	Strap, Fuel Tank	17508203-000	1	
3	Strap, Fuel Tank	17508204-000	1	
4	Foam	17502207-000	2	
5	Asm., Tank, Fuel	17500230-000	1	
6	Asm., Hose, Fuel	94440-05009-020	1	
7	Filter, Fuel	17952111-000	1	
8	Clamp	94510-08000	4	
9	Fuel hose	94401-05009-400	1	
10	Fuel Pump	17520201-000	1	
11	Fuel hose	94401-05009-250	1	
12	Bolt	96000-060128-10K	2	M6x12x1.0
13	Foam	31510202-000	2	
14	Sensor, Fuel	37800204-000	1	
15	Bolt	93100-050168-00K	4	M5x16

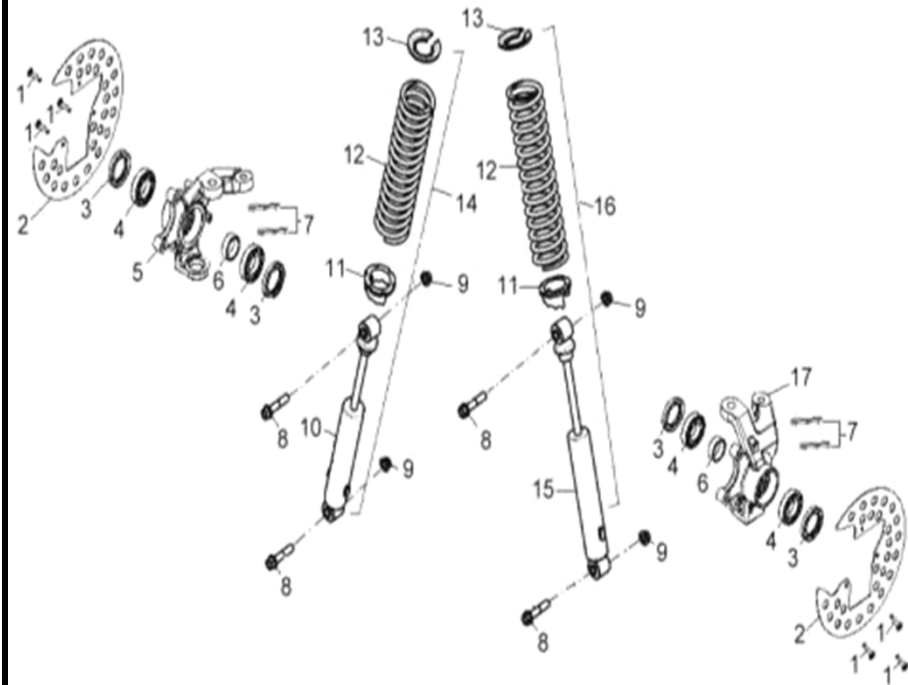


D-11: EXHAUST PIPE



Item	Description	Part Number	Q.ty	Note
1	Bolt	96000-080168-OKL	2	M8x16x1.25
2	Silencer	18298230-000	1	
3	Nut	94050-08000-00C	3	M8x1.25
4	Collar	18321203-000	1	
5	Clamp-Exhaust	94514-45015	1	
6	Pipe, Exhaust, Front	18299223-000	1	
7	Shield, Exhaust	18315221-000	1	
8	Gasket	94102-0613010-000	2	
9	Bolt	96000-060108-10K	2	
10	Gasket	18291205-000	1	

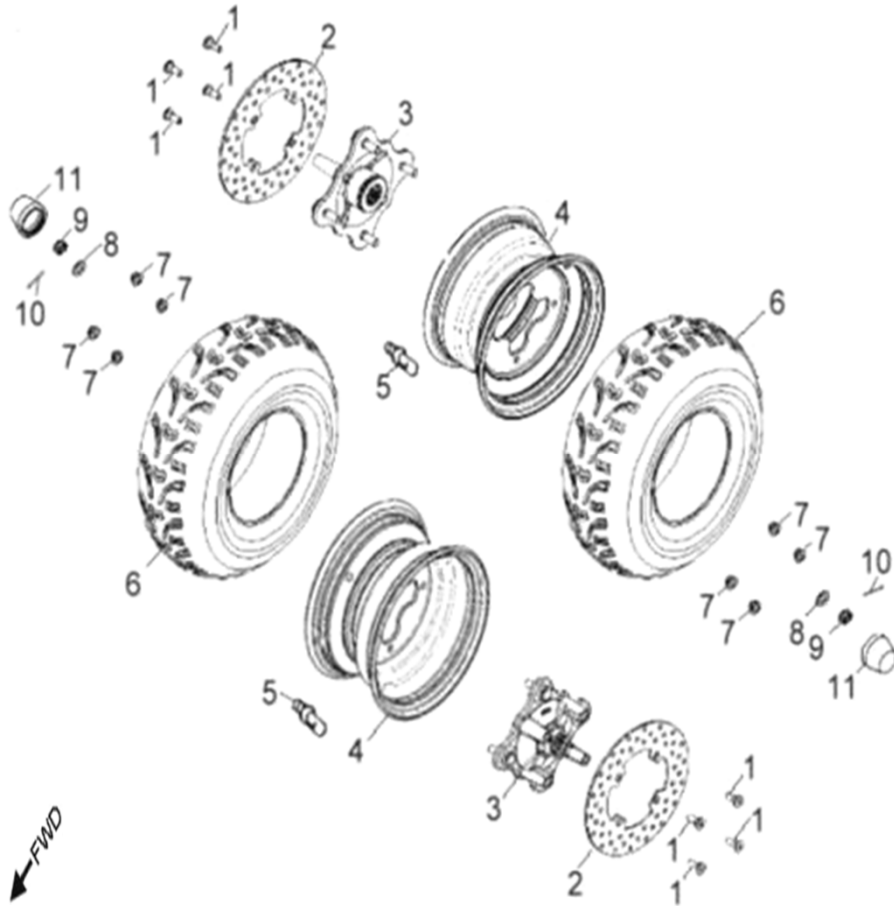
D-12: FRONT SHOCK



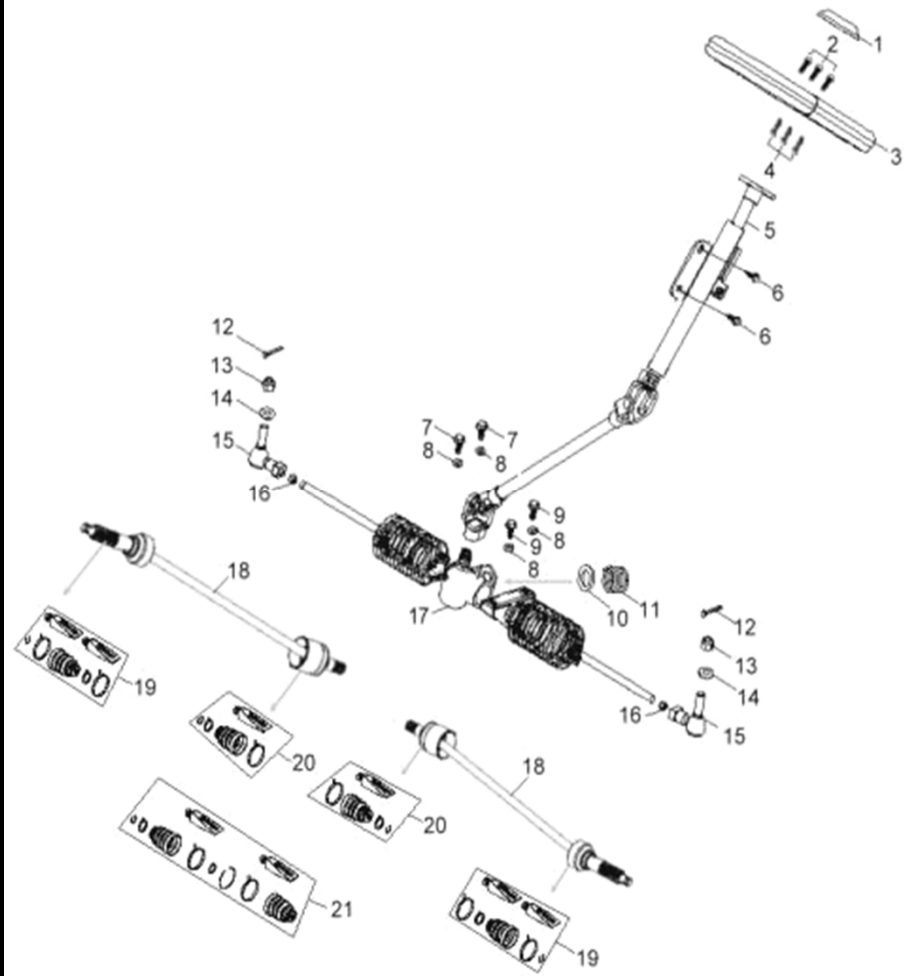
Item	Description	Part Number	Q.ty	Note
1	Bolt	96000-060128-OKL	6	M6x12x1.0
2	Shield, Disc	52621203-000	2	
3	Seal, Oil	96500-385507A7271	4	
4	Bearing, Ball	96100-60060-ZZ000	4	6006ZZ
5	Asm., Steering Knuckle,	51330211-000	1	
6	Spacer	44315202-000	2	
7	Pin, Cotter	94201-23250	4	
8	Bolt	96000-100508-OKL	4	M10x50x1.25
9	Nut	94050-10000-00C	4	M10x1.25
10	Shock,Front(R)	51102210-000	1	
11	Collar, Adjustment, Spring	51119204-000	2	
12	Spring, Suspension, Front	51101226-038	2	
13	Retainer, Suspension, Front	51113224-000	2	
14	Asm., Suspension, Front	51100224-038	1	
15	Shock,Front(L)	51142201-000	1	
16	Asm., Suspension, Front	51140201-038	1	
17	Asm., Steering Knuckle,	51325211-000	1	

D-13: FRONT WHEEL

Item	Description	Part Number	Q.ty	Note
1	Bolt	45016131-00K	8	
2	Plate, Front Brake, LH	45010203-000	2	
3	Wheel Hub	42010207-000	2	
4	Rim	42701214-000	2	
5	Valve, Rim	42616202-000	2	
6	Tire	42711238-000	2	
7	Nut	95112-10000-00B	8	
8	Washer	94121-1835200-000	2	18x35x2
9	Nut	90352-18000-00C	2	M18x1.5
10	Pin, Cotter	94201-32320	2	
11	Cap, Hub	4273039A-000	2	

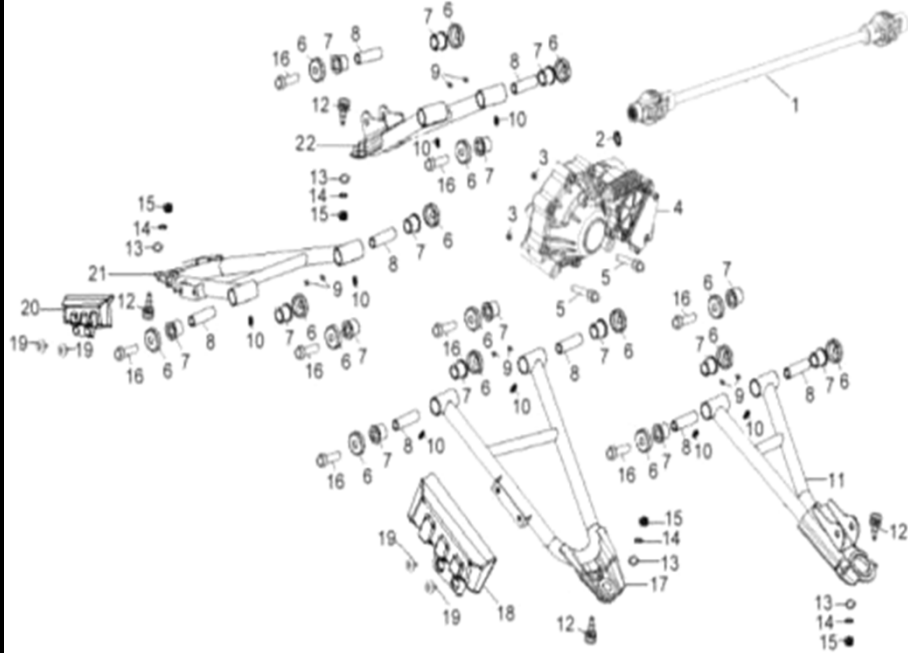


D-14: STEERING

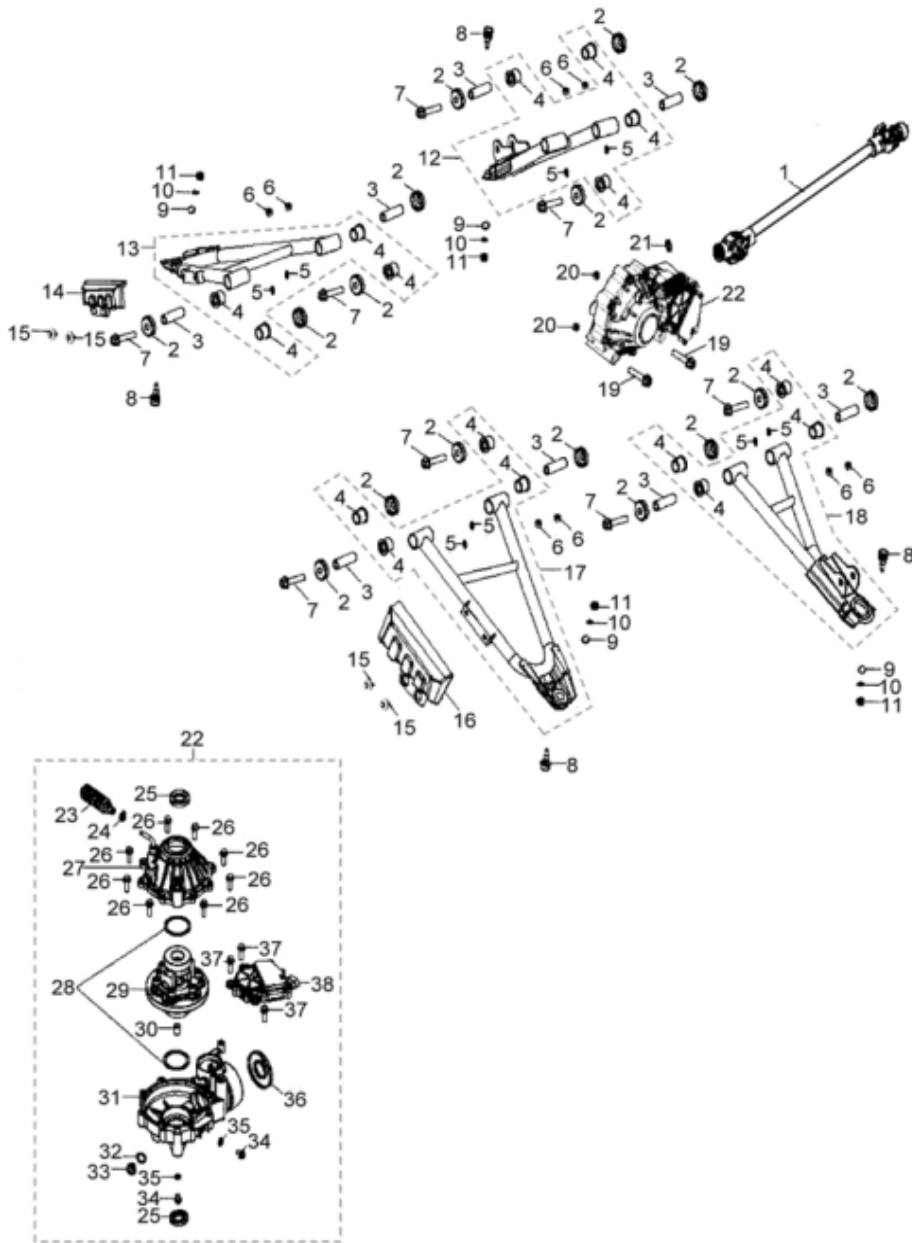


Item	Description	Part Number	Q.ty	Note
1	Cover, Steering Wheel	53603201-000	1	
2	Bolt	93800-060148-00K	3	M6x14x1.0 + washer
3	Steering Wheel	53601203-000	1	
4	Screw	93903-1050208-00K	3	M5x20
5	Shaft, Steering	51107232-000	1	
6	Bolt	96000-100208-0KL	2	M10x20x1.25
7	Bolt	96000-100358-00K	2	
8	Nut	94050-10000-0UK	4	
9	Bolt	96000-100258-00K	2	
10	Nylon Bushing, Steering	50135201-000	1	
11	Compress Spring	11705203-000	1	
12	Pin, Cotter	94201-23250	2	
13	Nut, Lock	90351-12000-00C	2	M12x1.25
14	Washer	94101-1225020-00C	2	12.1x25x2
15	Rod End	53414203-000	2	
16	Nut	94001-12000-00C	2	M12x1.25
17	Gear Box, Steering	51340202-000	1	
18	Ball Joint Set	42070201-000	2	
19	Kit, Boot, Outer	88558201-000	1	
20	Kit, Boot, Inner	88558202-000	1	
21	Asm., Kit, Boot	88558203-000	1	

D-15: A-ARM



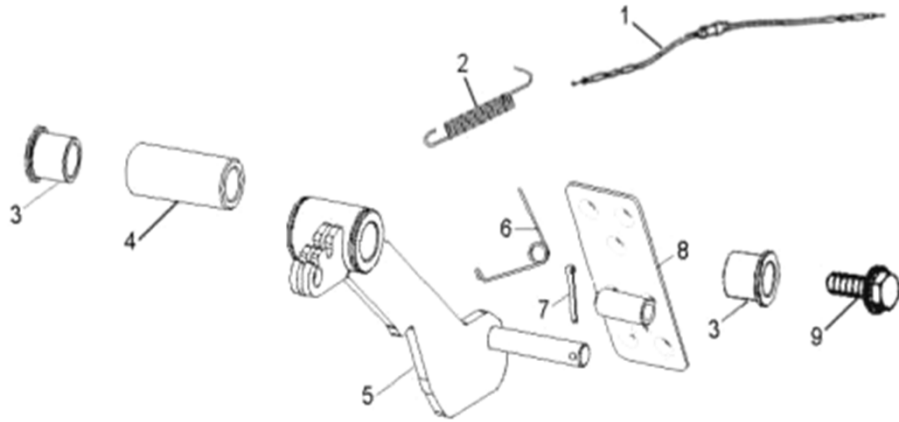
Item	Description	Part Number	Q.ty	Note
1	Linkage	52437206-000	1	
2	Washer	94121-2129003-00K	1	
3	Nut	94050-10000-0UC	2	
4	Front Axle Gear Case Cd	42760202-000	1	
5	Bolt	96000-101108-00C	2	
6	Cap, Rubber	52426156-000	16	
7	Bushing	53135203-000	16	
8	Spacer	5314039A-000	8	
9	Nut	94050-10000-00C	8	M10x1.25
10	Valve, Grease	51300131-000	8	
11	From Upper Arm Comp (53143201-000	1	
12	Joint, Ball	7081190	4	
13	Clip, Cir	94511-3113S	4	
14	Washer	94101-1225020-00C	4	12.1x25x2
15	Nut	90353-11113-00C	4	
16	Bolt	96000-100758-0KL	8	
17	From Lower Arm Comp (53144201-000	1	
18	Shield, CV Joint, LH	53002201-000	1	
19	Bolt	96007-060168-00K	4	M6x16x1.0 + washer
20	Shield, CV Joint, RH	53003201-000	1	
21	From Lower Arm Comp (53045201-000	1	
22	From Upper Arm Comp (53044201-000	1	



Item	Description	Part Number	Q.ty	Note
1	Linkage	52437209-000	1	
2	Cap, Rubber	52426156-000	16	
3	Spacer	5314039A-000	8	
4	Bushing	53135203-000	16	
5	Valve, Grease	51300131-000	8	
6	Nut	94050-10000-00C	8	M10*P1.25
7	Bolt	96000-100758-OKL	8	
8	Joint, Ball	7081190	4	
9	Clip, Cir	94511-3113S	4	
10	Washer	94101-1225020-00C	4	φ12.1* φ 25*t2
11	Nut	90353-11113-00C	4	
12	From Upper Arm Comp	53044208-067	1	
13	From Lower Arm Comp	53045208-067	1	
14	Shield, CV Joint, RH	53003201-000	1	
15	Bolt	96007-060168-00K	4	M6*P1.0*16L W/Washer
16	Shield, CV Joint, LH	53002201-000	1	
17	From Lower Arm Comp	53144208-067	1	
18	From Upper Arm Comp	53143208-067	1	
19	Bolt	96000-101108-00C	2	
20	Nut	90355-10000-14C	2	
21	Washer	94121-2129003-00K	1	
22	Front Axle Gear Case Co	42760203-000	1	
23	Bellows	16600202-000	1	
24	Clamp	94515-10008	1	
25	Seal, Oil	96500-254507A7271	2	
26	Bolt	96000-080308-12C	8	
27	Cover, RH	42762201-000	1	
28	Washer set, adjustment	42763201-000	1	D.Ø61mm, Thickness1.4
29	Ring gear	42764201-000	1	
30	Pin, Dowel	94301-14160	1	
31	Cover with shaft, LH	42761202-000	1	
32	Washer	94101-1422010-0AL	1	
33	Bolt, Oil	42766201-000	1	
34	Bolt	96000-080128-12C	2	
35	Washer	94101-0816020-00L	2	
36	Seal, Oil	96500-327508A7271	1	
37	Bolt	96000-080258-00C	3	
38	Electric box	42765201-000	1	

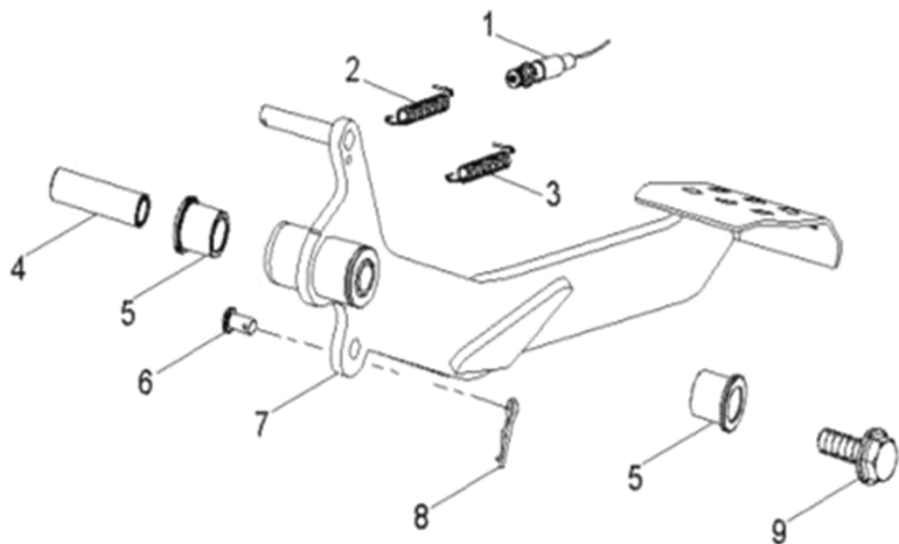
D-16: THROTTLE

Item	Description	Part Number	Q.ty	Note
1	Cable, Throttle	53910215-000	1	
2	Spring, Switch	43422208-000	1	
3	Bushing	53912201-000	2	
4	Tube, Spacer	53913201-000	1	
5	Pedal , Throttle	53911204-000	1	
6	Spring, Throttle Padel	43463201-000	1	
7	Pin, Cotter	94201-25190	1	
8	Padel, Throttle	43462202-000	1	
9	Bolt	96000-080508-OKL	1	M8x50x1.25

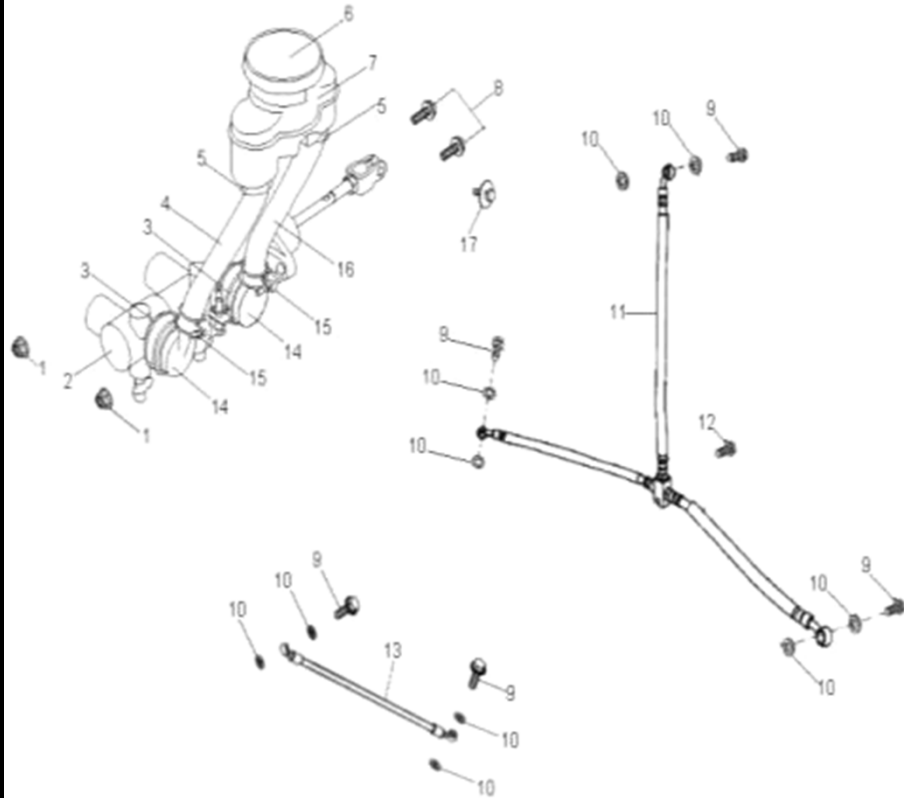


D-17: FOOT BRAKE

Item	Description	Part Number	Q.ty	Note
1	Switch, Brake	34916201-000	1	
2	Spring, Switch	43422201-000	1	
3	Spring	43421206-000	1	
4	Tube, Spacer	43461201-000	1	
5	Bushing	53135202-000	2	
6	Pin	94302-07018	1	
7	Pedal Brake	43456212-001	1	
8	Cotter Pin	94203-12200	1	
9	Bolt	96000-100658-OKL	1	M10x65x1.25



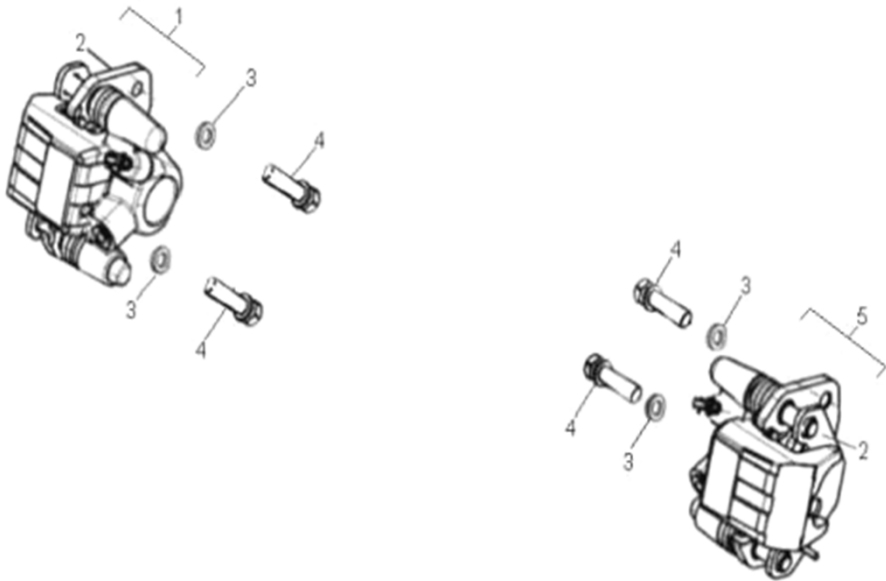
D-18: BRAKE LINES & MASTER CYLINDER



Item	Description	Part Number	Q.ty	Note
1	Nut	94050-08000-0UK	2	M8x1.25
2	Asm., Master Cylinder	43500208-000	1	
3	Clamp, Jonit	43506201-000	2	
4	Hose, Brake	45447221-000	1	
5	Clamp	94515-18010	2	
6	Cap, Oil Tank	43016203-000	1	
7	Oil Tank, Brake	43503203-000	1	
8	Bolt	96000-080258-00K	2	M8x25x1.25
9	Bolt, Banjo	45456111-000	5	
10	Washer	94101-1015012-U0B	10	10.1x15x1.2
11	Line , Front Brake, J/B C	45440215-000	1	
12	Bolt	96000-060258-00K	1	M6x25x1.0
13	Hose, Front Brake, Lowe	45449220-000	1	
14	Joint, Brake hose	43504201-000	2	
15	Clamp	19222201-000	2	
16	Hose, Brake	45447220-000	1	
17	Bolt	92005-060168-00K	1	M6x16x1.0 + washer

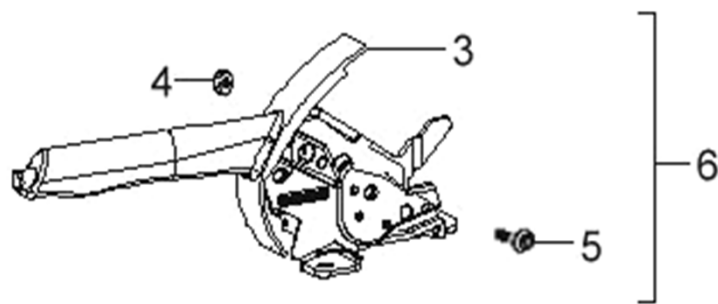
D-19: FRONT BRAKE CALIPER

Item	Description	Part Number	Q.ty	Note
1	Asm., Caliper, RH	45002205-001	1	
2	Pads, Caliper, Front	43121208-000	2	
3	Washer	94101-0816020-00C	4	8x16x2
4	Screw	96002-080308-00K	4	M8x30x1.25
5	Asm., Caliper, LH	45001205-001	1	



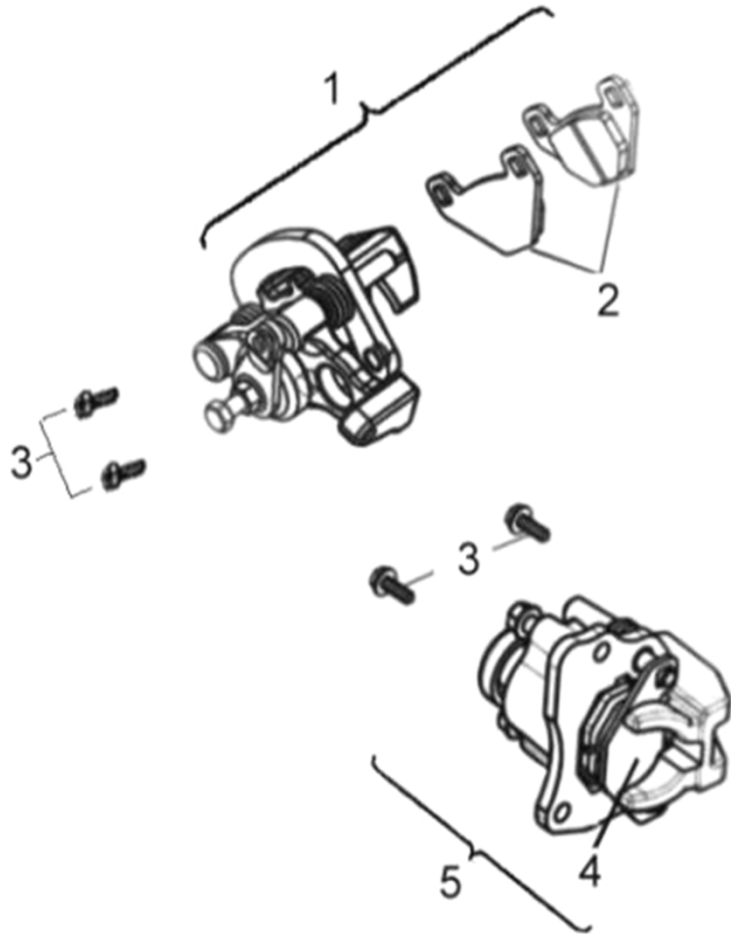
D-20: PARK BRAKE LOCK

Item	Description	Part Number	Q.ty	Note
1	Cable, Parking Brake	38706207-000	1	
2	Bolt	96000-080168-0KL	2	M8x16x1.25
3	Lever, Parking Brake	43700201-000	1	
4	Nut	94001-06000-00B	1	
5	Bolt	92100-060178-00B	1	
6	Parking Brake Ass'y	43550201-000	1	



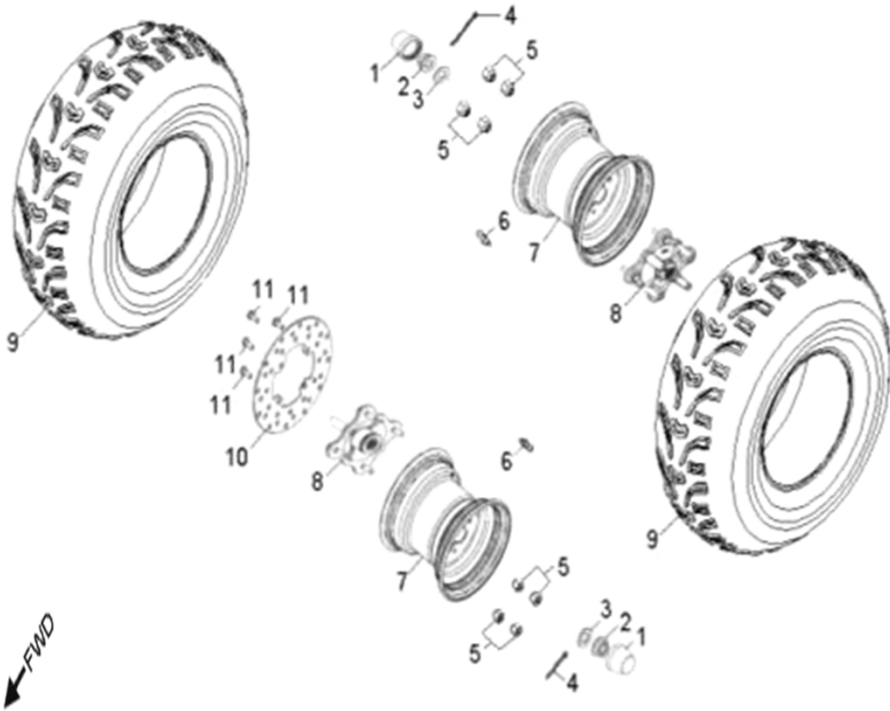
D-21: REAR BRAKE CALIPER

Item	Description	Part Number	Q.ty	Note
1	Asm., Caliper, Parking B	43200202-000	1	
2	Pads, Parking Brake	43201201-000	1	
3	Bolt	96000-100258-OKL	4	M10x25x1.25
4	Pad, brake, Rear	43120213-000	1	
5	Asm., Caliper, Rear, LH	45006203-000	1	

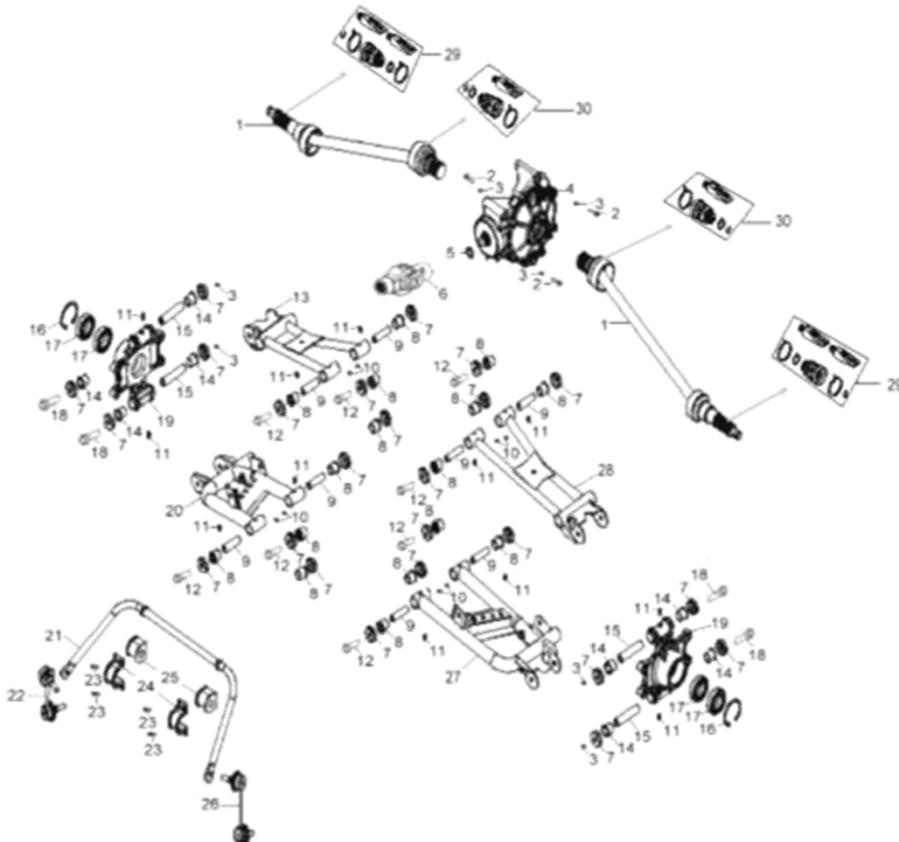


D-22: REAR WHEEL

Item	Description	Part Number	Q.ty	Note
1	Cap, Hub	4273039A-000	2	
2	Nut	90352-18000-00C	2	M18x1.5
3	Washer	94121-1835200-000	2	18x35x2
4	Pin, Cotter	94201-32320	2	
5	Nut	95112-10000-00B	8	
6	Valve, Rim	42616202-000	2	
7	Rim, Rear	42801214-000	2	
8	Wheel Hub	42010207-000	2	
9	Tire	42811237-000	2	
10	Disc, Brake	43511203-000	1	
11	Bolt	45016131-00K	4	



D-23A: SWING ARM



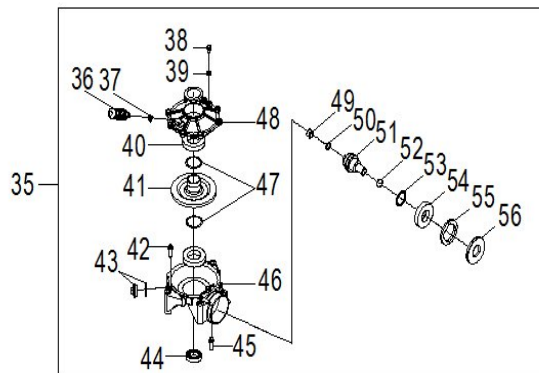
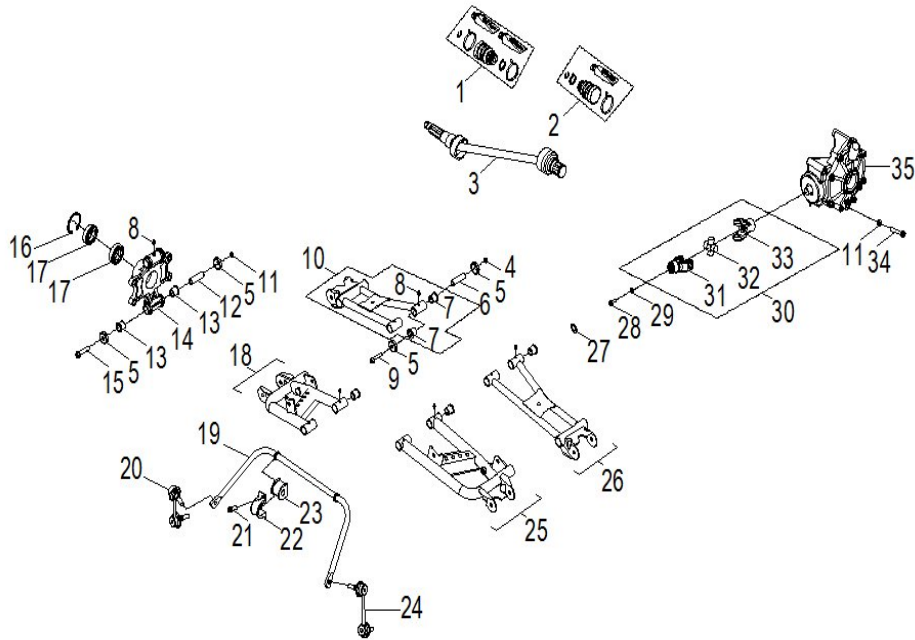
Item	Description	Part Number	Q.ty	Note
1	Ball Joint Set	42090202-000	2	
2	Bolt	96000-100908-00C	3	
3	Nut	94050-10000-0UC	7	
4	Rear Axle Gear Case As	42770201-000	1	
5	Washer	94121-2129003-00K	1	
6	Joint, Universal	5245062F-000	1	
7	Cap, Rubber	52426156-000	24	
8	Bushing	53135203-000	16	
9	Spacer	5314039A-000	8	
10	Nut	94050-10000-00C	8	M10x1.25
11	Valve, Grease	51300131-000	12	
12	Bolt	96000-100758-OKL	8	
13	Rear Upper Arm Comp (53046201-000	1	
14	Seat, Grease Contain	52523131-000	8	
15	Tube, Spacer	42810222-000	4	
16	Clip, Cir	94512-5500R	2	
17	Bearing, Ball	96100-60060-ZZ000	4	6006ZZ
18	Bolt	96000-101008-00K	4	
19	Rear Knuckle Assy	42130201-000	2	
20	Rear Lower Arm Comp (53047201-000	1	
21	Sway Bar	52443202-000	1	
22	Boot Set (Ball Joint)(R)	52462201-001	1	
23	Bolt	96000-080168-OKL	4	M8x16x1.25
24	Clamp, Sway Bar	52457201-001	2	
25	Bushing, Sway Bar	52456201-001	2	
26	Boot Set (Ball Joint)(L)	52461201-001	1	
27	Rear Lower Arm Comp (53146201-000	1	
28	Rear Upper Arm Comp (53145201-000	1	
29	Kit, Boot, Outer	88558204-000	1	
30	Kit, Boot, Inner	88558205-000	1	



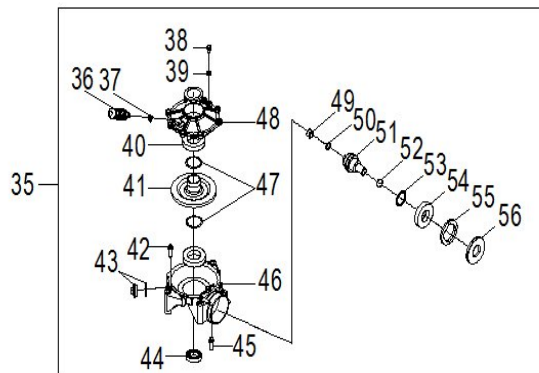
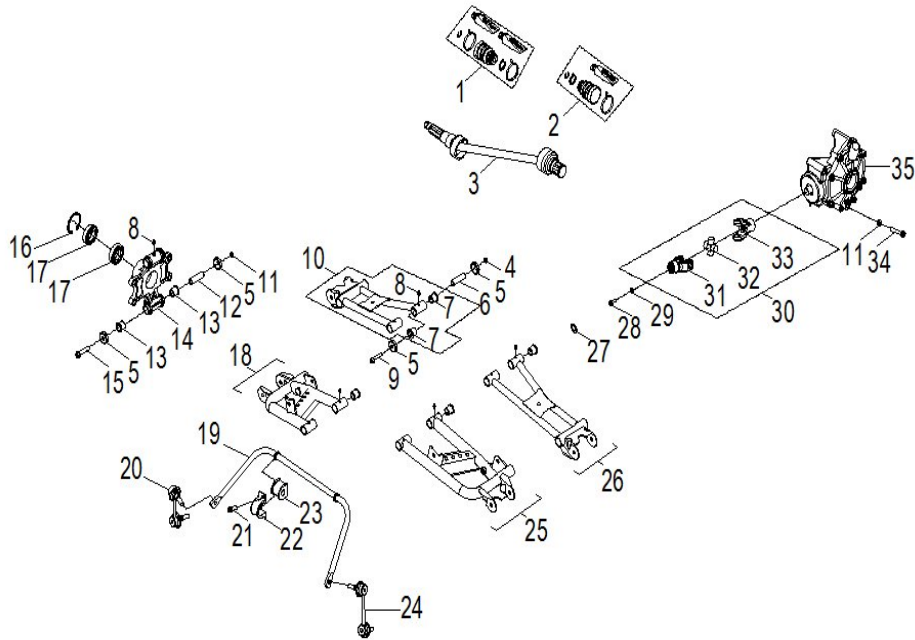
Item	Description	Part Number	Q.ty	Note
1	Kit, Boot, Outer	88558204-000	1	
2	Kit, Boot, Inner	88558205-000	1	
3	Rear driving shaft	42090202-000	2	
4	Bolt	96000-100908-00C	3	
5	Nut	90355-10000-14C	7	
6	Washer	94121-2129003-00K	1	
7	Joint, Universal	5245062F-000	1	
8	Nut	94050-10000-00C	8	M10x1.25
9	Cap, Rubber	52426156-000	24	
10	Spacer	5314039A-000	8	
11	Bushing	53135203-000	16	
12	Valve, Grease	51300131-000	12	
13	Rear Upper Arm Comp (53046208-067	1	
14	Bolt	96000-100758-OKL	8	
15	Tube, Spacer	42810222-000	4	
16	Seat, Grease Contain	52523131-000	8	
17	Rear Knuckle Assy	42130201-000	2	
18	Bearing, Ball	96100-60060-LLU00	4	
19	Clip, Cir	94512-5500R	2	
20	Bolt	96000-101008-00K	4	
21	Rear Lower Arm Comp (53047208-067	1	
22	Sway Bar	52443202-000	1	
23	Boot Set (Ball Joint)(R)	52462201-001	1	
24	Bolt	96000-080168-OKL	4	M8x16x1.25
25	Clamp, Sway Bar	52457201-001	2	
26	Bushing, Sway Bar	52456201-001	2	
27	Boot Set (Ball Joint)(L)	52461201-001	1	
28	Rear Lower Arm Comp (53146208-067	1	
29	Rear Upper Arm Comp (53145208-067	1	
30	Rear Axle Gear Case As	42770201-000	1	
31	Bolt	96000-080108-00K	2	M8x10x1.25
32	Washer	94101-0816020-00L	2	
33	Bellows	16600202-000	1	
34	Clamp	94515-10008	1	
35	Bearing, Ball	96100-60090-00000	2	
36	Gear, Bevel	4232062F-000	1	
37	Bolt	96000-080308-00K	6	M8x30x1.25
38	Asm., Cap	1542539A-000	1	
39	Seal, Oil	96503-426207A7271	2	
40	Bolt	96000-100308-00K	2	

Item	Description	Part Number	Q.ty	Note
41	Gearcase	4210062F-000	1	
42	Ring Gear Shim Comp	42400201-000	1	
43	Cover, Gearcase	4220062F-000	1	
44	Bearing, Needle	96200-162212	1	
45	Clip, Cir	94512-2201R	1	
46	Gear, Pinion	4231062F-000	1	
47	Shim Comp	42410201-000	1	
48	Bearing, Ball	96100-62070-00000	1	
49	Nut	90204-74000-00C	1	
50	Seal, Oil	96500-327810A7271	1	



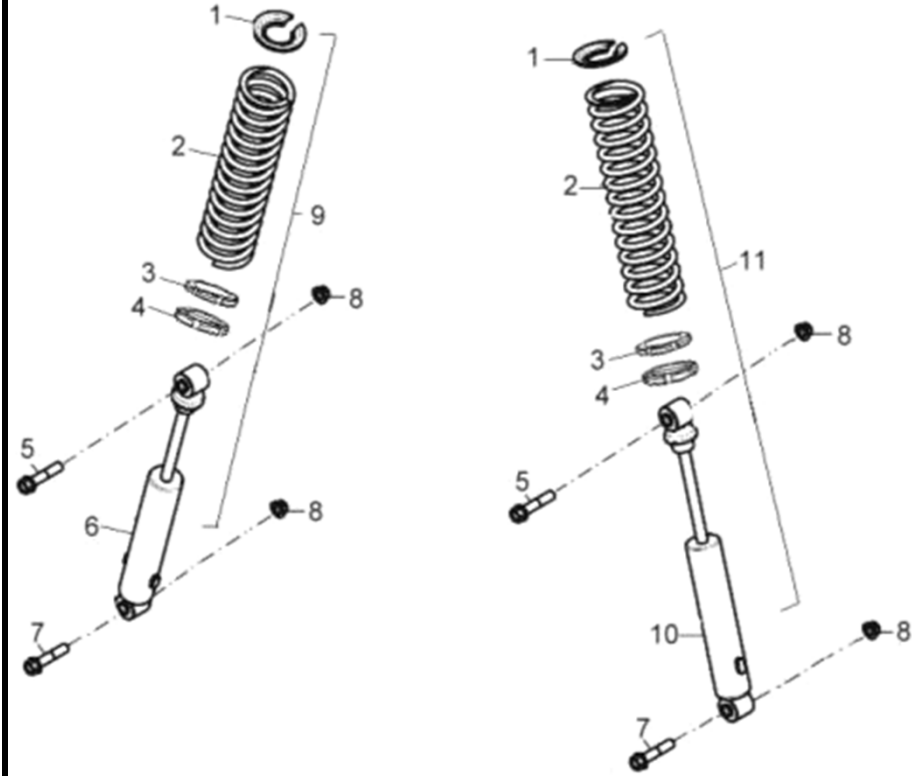


Item	Description	Part Number	Q.ty	Note
1	Kit, Boot, Outer	88558204-000	1	
2	Kit, Boot, Inner	88558205-000	1	
3	Driving Shaft, Rear	42090202-000	2	
4	Nut	94050-10000-00C	8	M10*P1.25
5	Cap, dustproof	52426156-000	24	
6	Spacer	5314039A-000	8	
7	Bushing	53135203-000	16	
8	Valve, Grease	51300131-000	12	
9	Bolt	96000-100758-OKL	8	
10	Rear Arm, Upper, RH	53046208-067	1	
11	Nut	90355-10000-14C	7	
12	Tube, Spacer	42810222-000	4	
13	Seat, Grease Contain	52523131-000	8	
14	Asm.,Knuckle, Rear	42130201-000	2	
15	Bolt	96000-101008-00K	4	
16	Clip, Cir	94512-5500R	2	
17	Bearing, Ball	96100-60060-LLU00	4	
18	Rear Arm, Lower, RH	53047208-067	1	
19	Sway Bar	52443202-000	1	
20	Linkage, Sway Bar, RH	52462201-001	1	
21	Bolt	96000-080168-OKL	4	M8*P1.25*16L
22	Clamp, Sway Bar	52457201-001	2	
23	Bushing, Sway Bar	52456201-001	2	
24	Linkage, Sway Bar, LH	52461201-001	1	
25	Rear Lower Arm Comp (53146208-067	1	
26	Rear Upper Arm Comp (53145208-067	1	
27	Washer	94121-2129003-00K	1	
28	Bolt	96000-100228-OKL	1	
29	Tube, Spacer	42810244-000	1	
30		52481201-000	1	
31	UNIVERSAL JOINT	52453203-000	1	
32		52466201-000	1	
33	Universal Joint	52453205-000	1	
34	Bolt	96000-100908-00C	3	
35	Asm., Gear Case, Rear	42770205-000	1	
36	Bellows	16600202-000	1	
37	Clamp	94515-10008	1	
38	Bolt	96000-080108-00K	2	M8*P1.25*10L
39	Washer	94101-0816020-00L	2	
40	Bearing, Ball	96100-60090-00000	2	



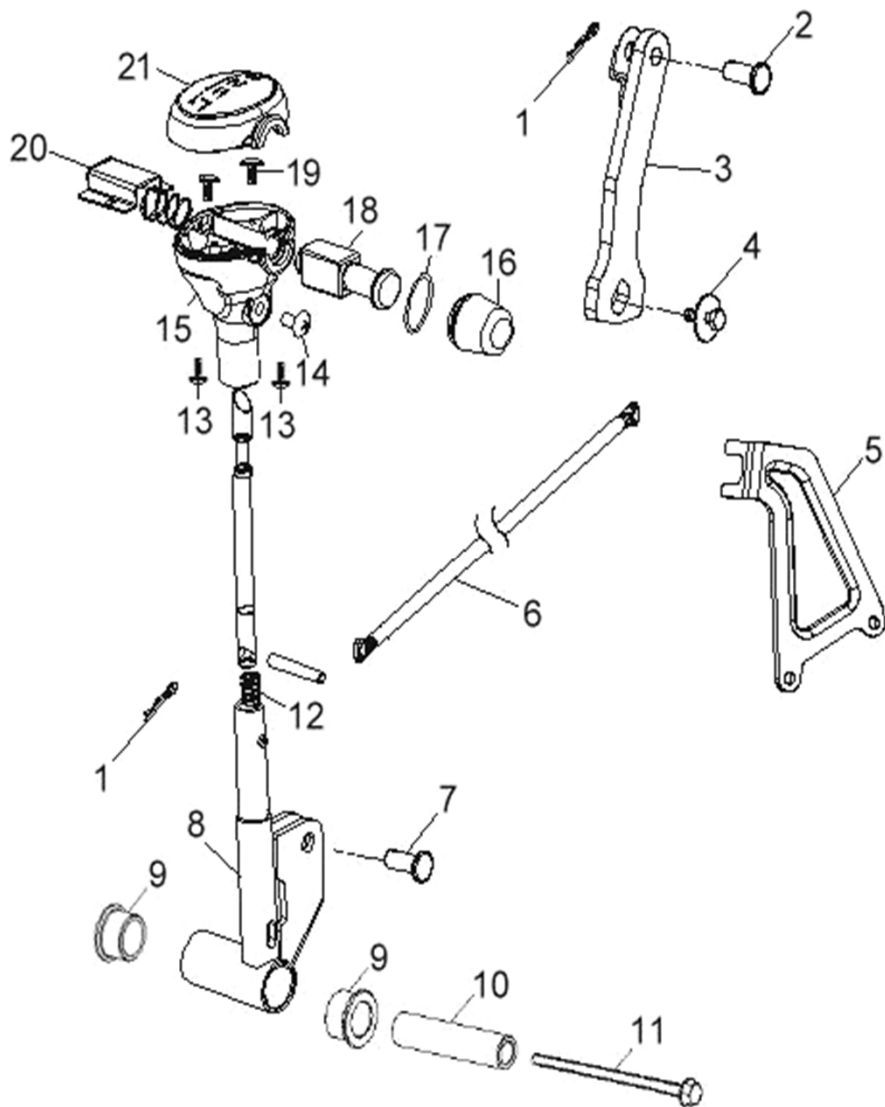
Item	Description	Part Number	Q.ty	Note
41	Gear, Bevel	4232062F-000	1	
42	Bolt	96000-080308-00K	6	M8*P1.25*30L
43	Asm., Cap	1542539A-000	1	
44	Seal, Oil	96503-426207A7271	2	
45	Bolt	96000-100308-00K	2	
46	Gearcase	4210062F-000	1	
47	Shim, Ring Gear	42400201-000	1	
48	Cover, Gearcase	4220062F-000	1	
49	Bearing, Needle	96200-162212	1	
50	Clip, Cir	94512-2201R	1	
51	Gear, Pinion	42310205-000	1	
52	O-Ring	93210-01819	1	18*1.9 NBR
53	Shim, Pinion Gear	42410201-000	1	
54	Bearing, Ball	96100-62070-00000	1	
55	Nut	90204-74000-00C	1	
56	Seal, Oil	96500-327810A7271	1	

D-24: REAR SHOCK



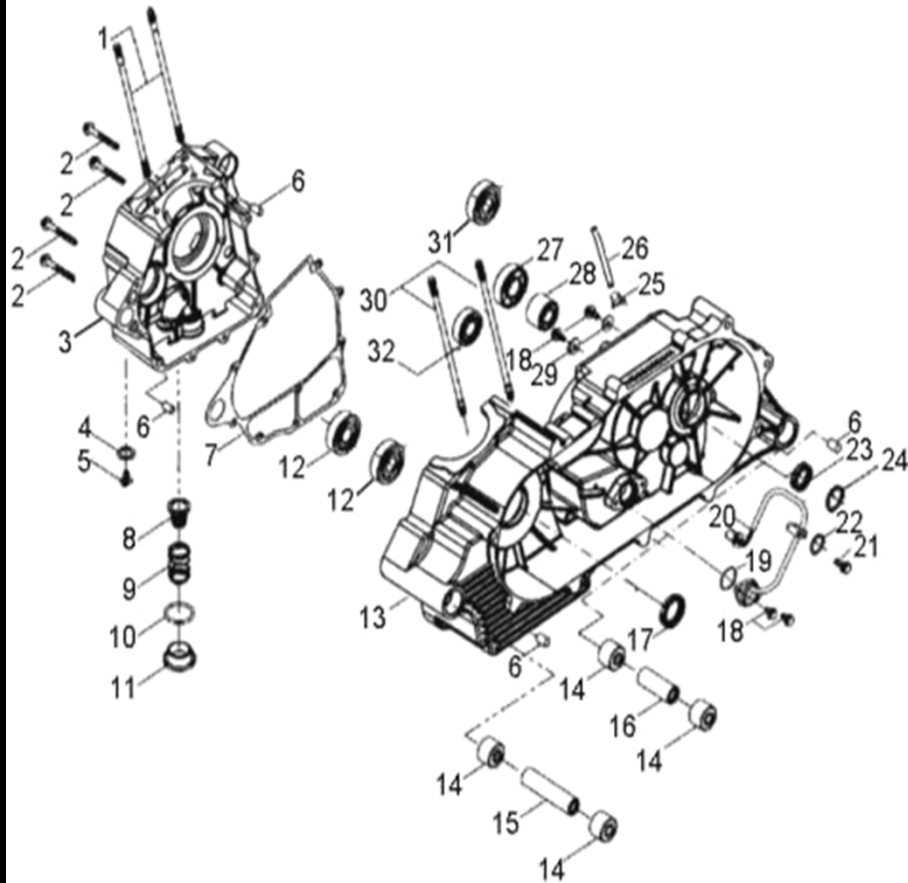
Item	Description	Part Number	Q.ty	Note
1	Retainer, Spring	52406235-000	2	
2	Rear Suspension Spring	52401241-038	2	
3	Collar, Adjustment	52404236-000	2	
4	Collar, Adjustment	52404235-000	2	
5	Bolt	96000-100508-OKL	2	M10x50x1.25
6	Shock, Rear(R)	52402235-000	1	
7	Bolt	96000-100858-OKL	2	
8	Nut	94050-10000-00C	4	M10x1.25
9	Asm., Suspension, Rear	52400235-038	1	
10	Shock, Rear(L)	52471201-000	1	
11	Asm., Suspension, Rear	52470201-038	1	

D-25: GEAR SELECTOR



Item	Description	Part Number	Q.ty	Note
1	Cotter Pin	94203-12200	2	
2	Pin	94302-07024	1	
3	Lever, Shift	21317203-000	1	
4	Bolt	96007-060128-00K	1	M6x12x1.0
5	Mount, Shift Cable	21309201-000	1	
6	Cable, Shift	21335204-000	1	
7	Pin	94302-07022	1	
8	Gear Selector	21319218-000	1	
9	Bushing	53912201-000	2	
10	Tube, Spacer	21340201-000	1	
11	Bolt	96000-080708-0KL	1	M8x70x1.25
12	COMPRESS SPRING	11705201-000	1	
13	Screw	93903-1030108-00K	2	
14	Screw	93100-050108-00K	1	
15	Knob, Transmission Level	21328203-000	1	
16	Rubber Seal, Shift	21353201-000	1	
17	Clip, Spring	94661-21012	1	
18	Botton, Shift	21351201-000	1	
19	Screw	93903-1040088-00K	2	M4x8
20	Botton Cover, Shift	21352201-000	1	
21	Cover	21327205-000	1	

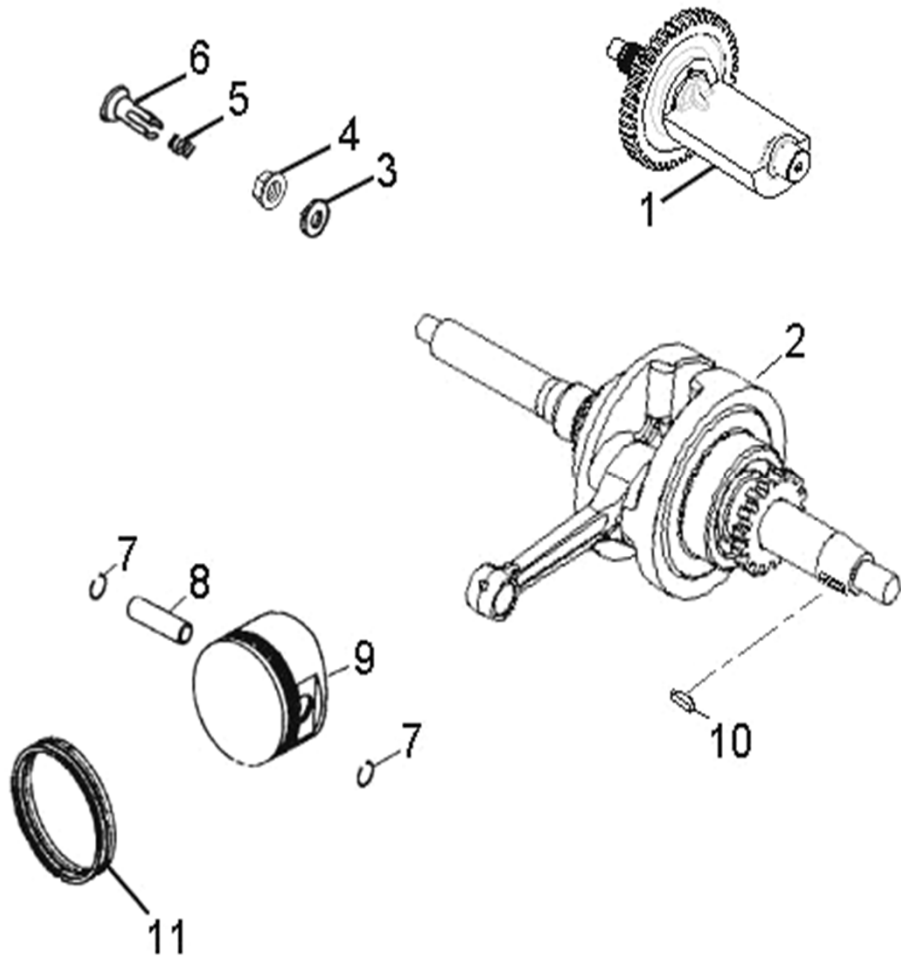
D-26: CRANKCASE



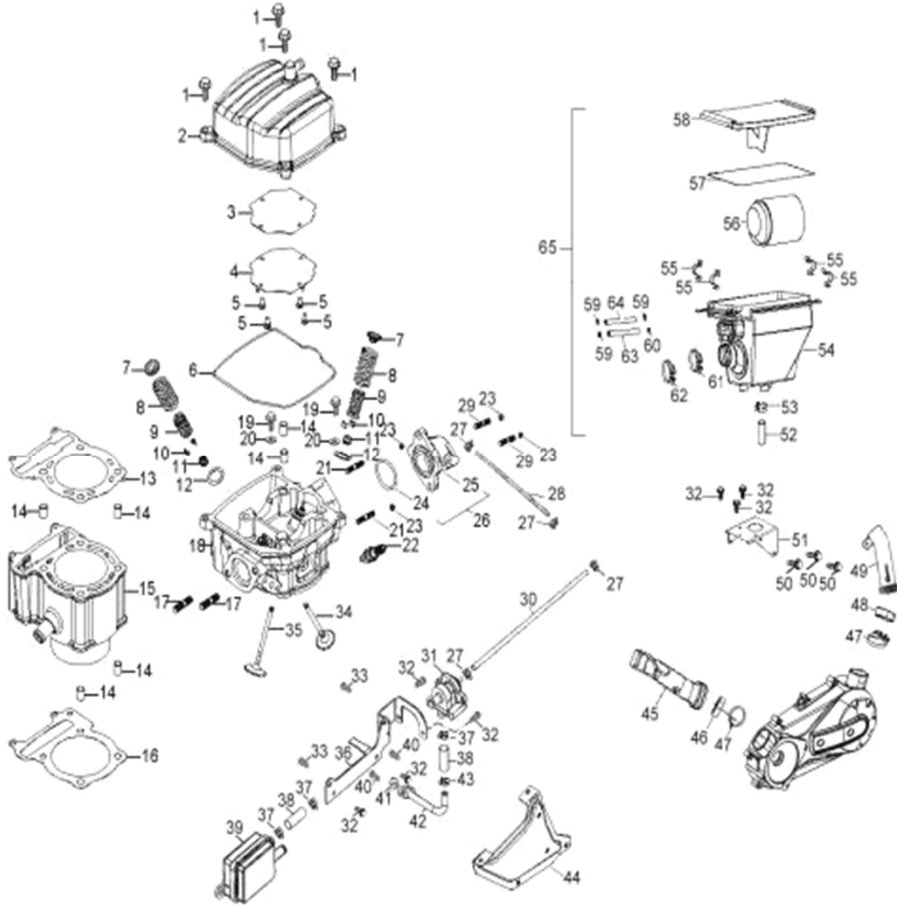
Item	Description	Part Number	Q.ty	Note
1	Stud	91001-082188-00C	2	M8x188x1.25
2	Bolt	96000-060508-08C	4	M6x50x1.0
3	Crankcase, RH	1110150A-000	1	
4	Washer	94101-1221320-00L	1	12.1x21.3x2
5	Bolt	96003-120158-17C	1	M12x15x1.25
6	Pin, Dowel	94301-10140	4	10x14
7	Gasket	1119150A-001	1	
8	Screen	15421119-000	1	
9	Spring, Screen	15426119-000	1	
10	O-Ring	93210-03132	1	30.8mm
11	Plug, Drain, Oil	11334119-000	1	
12	Bearing, Ball	96100-63040-00000	2	
13	Crankcase, Lh	1120150A-000	1	
14	Bushing	96400-102824	4	
15	Spacer, Collar	1115050A-000	1	
16	Spacer, Collar, Rear	1115150A-000	1	
17	Seal, Oil	96500-274207F5850	1	27x42x7 (Viton)
18	Bolt	96000-060128-08C	4	M6x12x1.0
19	O-Ring	93212-02620	1	25.7x1.9
20	Sensor, Shifter	35759203-000	1	
21	Bolt	96000-060108-08C	1	M6x10x1.0
22	Washer	94101-0624016-00G	1	6.1x24x1.6
23	Seal, Oil	96500-253807F5850	1	25x38x7
24	Clip, Cir	94511-2500S	1	25mm
25	Clamp	94515-12008	1	12x8
26	Hose	94408-08012-400	1	
27	Bearing, Ball	96100-63050-00000	1	
28	Bearing, Needle	96200-202715	1	
29	Washer	94101-0618015-00K	2	6.1x18x1.5
30	Stud	91001-082258-00C	2	M8x25x1.25
31	Bearing, Needle	91120-172518	1	
32	Bearing, Ball	96100-62040-00000	1	

D-27: CRANKSHAFT & PISTON

Item	Description	Part Number	Q.ty	Note
1	Shaft, Balancer	1342062E-000	1	
2	Asm., Crankshaft	1300062E-000	1	
3	Washer	94101-1426020-00C	1	14.2x26x2
4	Nut	94001-14000-00C	1	M14x1.5
5	Spring, Oil	1544739A-000	1	
6	Tube, Oil, Crankshaft	1544139A-000	1	
7	Clip, Piston Pin	1311550A-000	2	
8	Pin, Piston	1311150A-000	1	
9	Piston	1310062E-000	1	
10	Key, Woodruff	90471-25404	1	
11	Ring Set, Piston	1301162E-000	1	

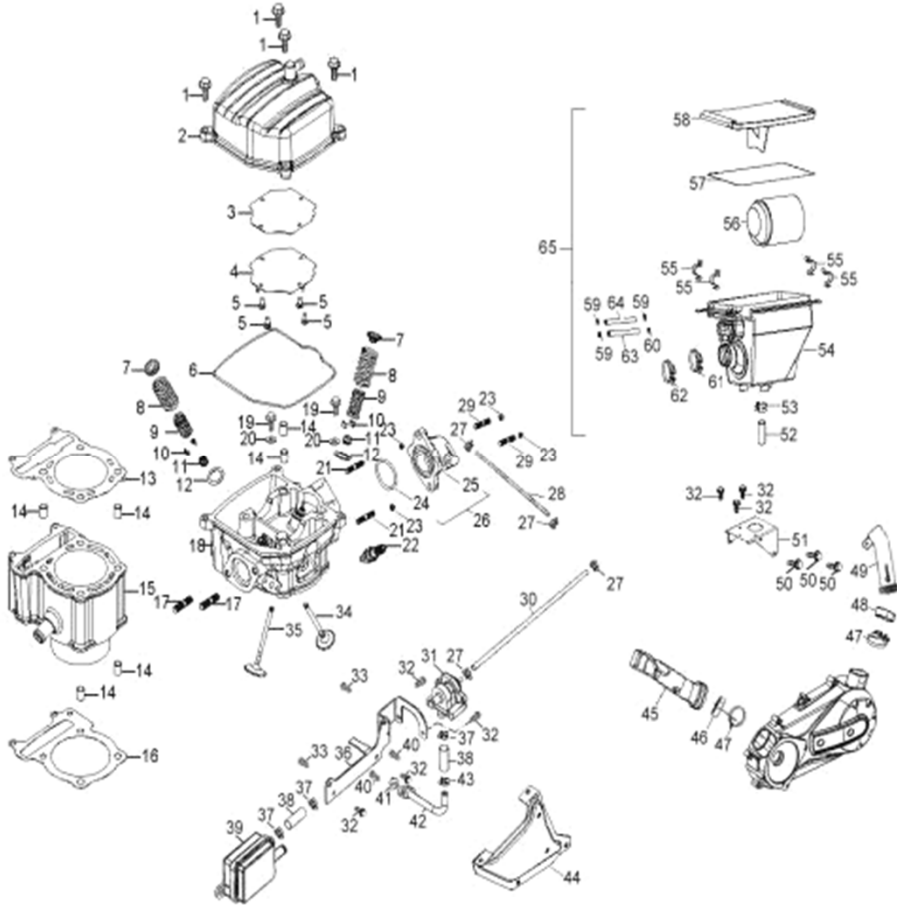


D-28: CYLINDER HEAD INTAKE & EXHAUST



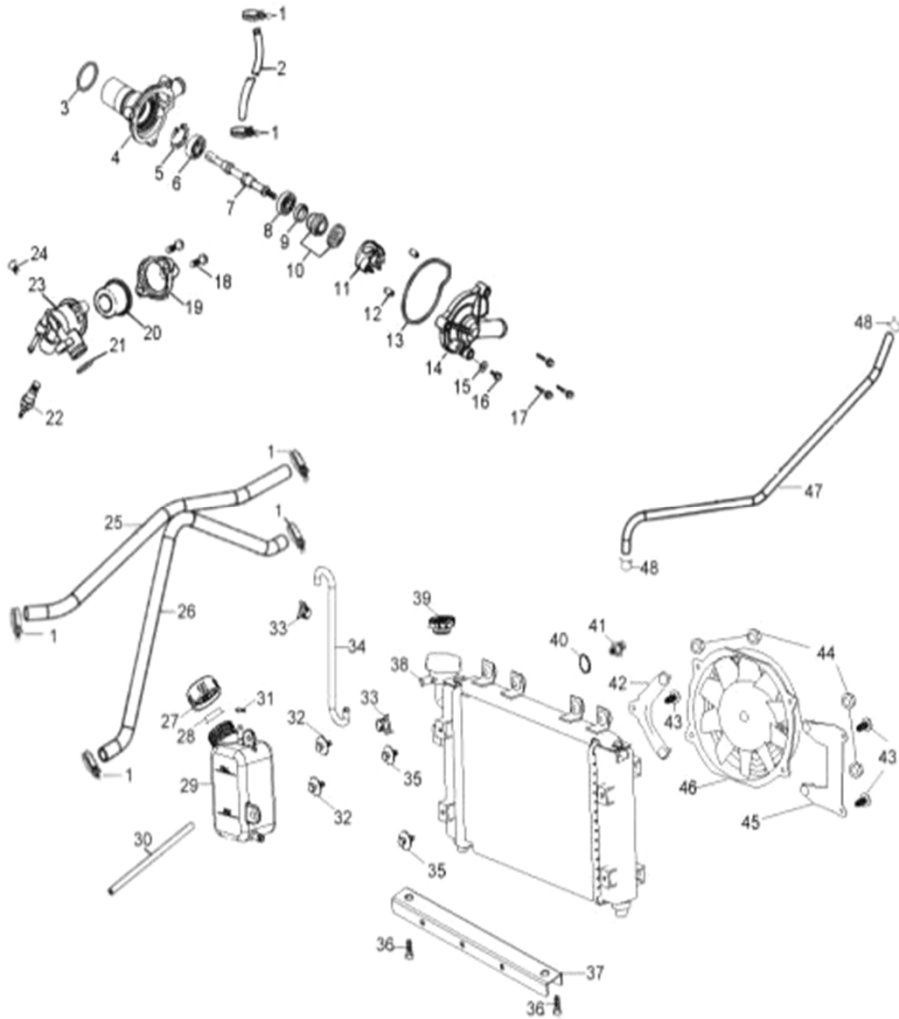
Item	Description	Part Number	Q.ty	Note
1	Bolt	96000-060258-08C	4	M6x25x1.0
2	Cover, Cylinder Head	1230962E-000	1	
3	Gasket	1230350A-000	1	
4	Breather, Crankcase, Lo	1230250A-000	1	
5	Screw	93903-1040088-00K	4	M4x8
6	Gasket , Head Cover	1239162E-000	1	
7	Retainer, Valve, Spring	1477162B-000	2	
8	Spring, Valve, Outer	1475162B-000	2	
9	Spring, Valve, Inner	1476162B-000	2	
10	Clip, Retainer	1478162B-000	4	
11	Seal, Valve	1220962B-000	2	
12	Seat, Valve, Spring, Out	1477562B-000	2	
13	Gasket Set	1225062E-000	1	
14	Pin, Dowel	94301-10140	6	10x14
15	Cylinder	1210062E-000	1	
16	Gasket, Cylinder	1219162E-000	1	
17	Stud	91001-080328-00C	2	M8x32x1.25
18	Head, Cylinder	1220162B-000	1	
19	Bolt	96000-061108-08C	2	M6x10x1.0
20	Washer	94101-0613010-00C	2	6.1x13x1
21	Stud	91001-060328-00C	2	M6x32x1.0
22	Plug, Spark	9807650A-000	1	DPR7EA-9
23	Nut	94050-06000-00C	4	M6x1.0
24	O-Ring	93210-03830	1	
25	Manifold	1710162F-000	1	
26	Asm., Manifold, Intake	1710062F-000	1	
27	Clip	94510-06500	4	
28	Hose	94407-04007-430	1	
29	Stud	91001-060288-00C	2	M6x28x1.0
30	Hose	94407-04007-470	1	
31	Valve, Dual-Intake	1899955E-000	1	
32	Bolt	96000-060148-10K	7	M6x14x1.0
33	Bolt	96000-060128-0KL	2	M6x12x1.0
34	Valve, Exhaust	1472162B-000	1	
35	Valve, Intake	1471162B-000	1	
36	Bracket, Dual- Intake	18998205-000	1	
37	Clip	94510-15000	3	
38	Hose, Rubber	96420-01016-052	2	
39	Asm.,Filter, Daul- Intake	18995202-000	1	
40	Bolt	96000-060168-08C	2	M6x16x1.0

D-28: CYLINDER HEAD INTAKE & EXHAUST



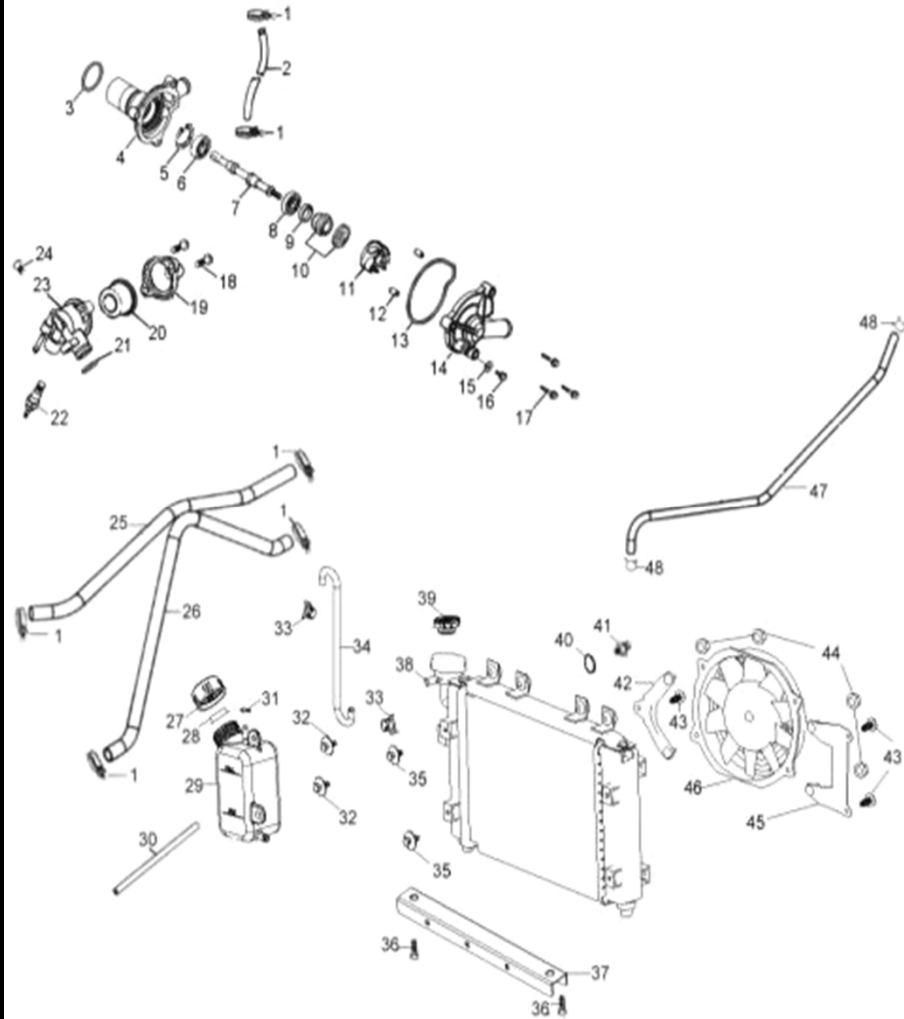
Item	Description	Part Number	Q.ty	Note
41	Gasket, Hose	1864639E-000	1	
42	Tube, Dual- Intake	18640206-000	1	
43	Clip	94510-13000	1	
44	Bracket, Dual-intake	18993201-000	1	
45	Duct, Outlet	17256206-000	1	
46	Boot, Duct	17269205-000	1	
47	Strap	89669212-000	2	
48	Boot, Duct	17269203-000	1	
49	Duct, Outlet	1725655E-000	1	
50	Bolt	96000-060148-08C	3	M6x14x1.0
51	Mount, Air Cleaner	17209202-000	1	
52	Hose, Drain	94414-01613-060	1	
53	Clamp	94515-15010	1	
54	Box, Air Cleaner	1720362E-000	1	
55	Clip	1720839A-000	4	
56	Filter, Air Cleaner	17205201-000	1	
57	Gasket	3371639A-000	1	
58	Cover, Air Cleaner	17207207-000	1	
59	Clip	94510-15000	3	
60	Clip	94510-14018	1	
61	Strap	89669218-000	1	
62	Strap	89669221-000	1	
63	Tube, Breather, Ventilator	17381208-000	1	
64	Tube, Breather, Ventilator	17381215-000	1	
65	Asm., Cleaner, Air	1720062E-000	1	

D-29: WATER PUMP & RADIATOR



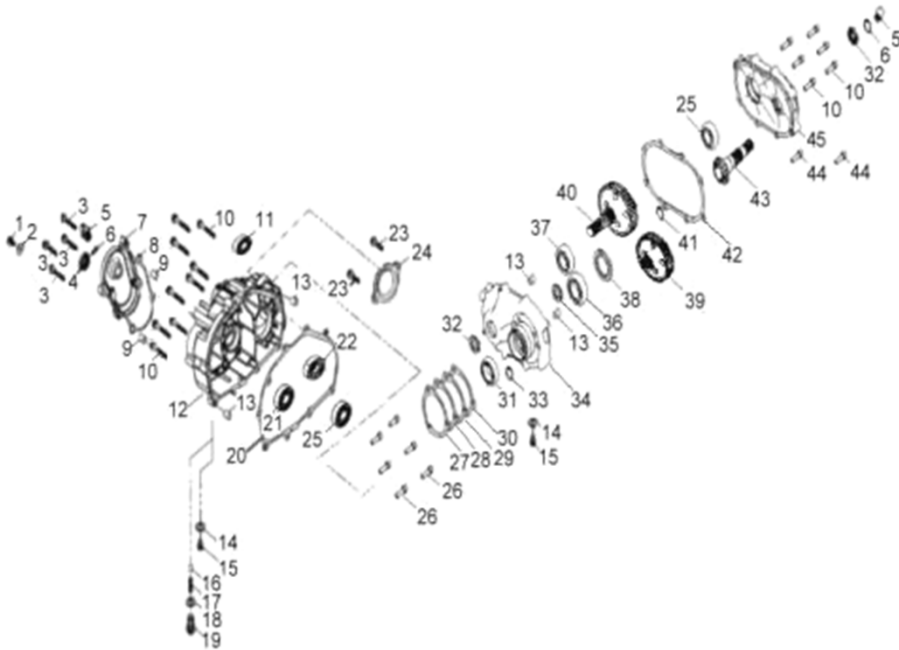
Item	Description	Part Number	Q.ty	Note
1	Clamp	1922250A-000	6	
2	Hose	1950250A-000	1	
3	O-Ring	93210-02920	1	29x2.0
4	Body, Water Pump	1921150A-000	1	
5	Clip, Cir	94512-2600R	1	
6	Bearing, Ball	96100-60000	1	
7	Shaft, Water Pump	1923150A-000	1	
8	Bearing, Ball	96100-69010	1	
9	Seal, Oil	96500-122207	1	
10	Seal, Mechanical	1921750A-000	1	
11	Impeller, Water Pump	1921550A-000	1	
12	Pin, Dowel	94301-08140	2	
13	Gasket	1922950A-000	1	
14	Flange, Water Pump	1922150A-000	1	
15	Washer	94101-0612010-00U	1	6.5x12x1
16	Bolt	96000-060128-08C	1	M6x12x1.0
17	Bolt	96000-060408-08C	3	M6x40x1.0
18	Bolt	93500-050168-00C	2	M5x16
19	Flange, Thermosatic	1931550A-000	1	
20	Bimetal, Thermosatic	1930050A-000	1	
21	O-Ring	93212-01719	1	
22	Sensor, Thermosatic	1931950A-000	1	
23	Housing, Thermosatic	1931150A-000	1	
24	Bolt	96000-060188-08C	1	M6x18x1.0
25	Hose, Inlet, Radiator	19503203-000	1	
26	Hose, Outlet, Radiator	19501203-000	1	
27	Cap, Expansion Tank	1910250A-000	1	
28	Boot, Duct	1726950A-000	1	
29	Tank, Expansion	1910150A-000	1	
30	Hose	94408-05007-480	1	
31	Clip	94510-06500	1	
32	Bolt	96007-060228-00K	2	M6x22x1.0 + washer
33	Clamp	94515-12008	2	12x8
34	Hose, Inlet, Expansion T	19506204-000	1	
35	Bolt	96007-060188-00K	2	M6x18x1.0 + washer
36	Bolt	96000-080168-0KL	2	M8x16x1.25
37	Mount, Radiator	50188204-000	1	
38	Radiator	1901162E-000	1	
39	Cap, Water	1911150A-000	1	
40	O-Ring	93210-01020	1	9.8x1.9 NBR

D-29: WATER PUMP & RADIATOR



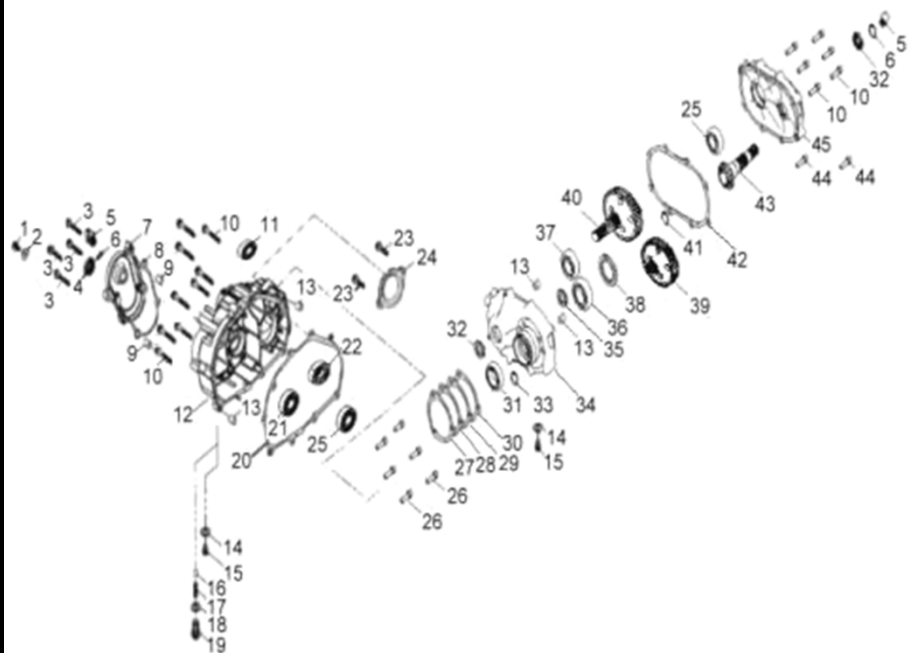
Item	Description	Part Number	Q.ty	Note
41	Switch, Thermosatic	19325201-000	1	
42	Bracket, Fan, Right	1900662E-000	1	
43	Screw	93003-060168-00K	3	M6x16x1.0 + washer
44	Nut	94050-06000-00C	4	M6x1.0
45	Bracket, Fan, Left	1900762E-000	1	
46	Asm., Fan	1900562E-000	1	
47	Hose, Water Cap, Radia	19504205-000	1	
48	Clip	94510-06500	2	

D-30: DRIVE ASSEMBLY & REAR



Item	Description	Part Number	Q.ty	Note
1	Bolt	96000-060108-10K	1	
2	Washer	94101-0612010-00U	1	6.5x12x1
3	Bolt	96000-060358-08C	4	M6x35x1.0
4	Seal, Oil	96500-142807A7271	1	14x28x7
5	Plug, Oil	15650111-001	2	
6	O-Ring	93210-01425	2	13.8x2.5
7	Cover, Shift	2136150S-000	1	
8	Gasket, Inspection Cove	2136250S-001	1	
9	Pin, Dowel	94301-08140	2	
10	Bolt	96000-080458-00C	15	M8x45x1.25
11	Bearing, Ball	96100-62050-00000	1	
12	Cover, Transmission	2130155L-000	1	
13	Pin, Dowel	94301-10140	4	10x14
14	Washer	94101-1221320-00L	2	12.1x21.3x2
15	Bolt	96000-120158-14C	2	M12x15x1.25
16	Ball, Steel	2132239A-000	1	
17	Spring, Detent	2430655E-000	1	
18	Washer	94101-1422010-00L	1	14.2x22x1
19	Bolt	2430539A-000	1	
20	Gasket, Transmission Co	2139550A-001	1	
21	Bearing, Ball	96100-62040-00000	1	
22	Bearing, Needle	96200-304217	1	
23	Bolt	96000-060168-08C	2	M6x16x1.0
24	Inspection Cover	2136355L-000	1	
25	Bearing, Ball	96100-63040-00000	2	
26	Bolt	91000-080258-00K	6	M8x25x1.25
27	Shim	23476210-000	1	
28	Shim	23476209-000	1	
29	Shim	23476208-000	1	
30	Shim	23476207-000	1	
31	Bearing, Ball	96100-60060-00000	1	
32	Seal, Oil	96500-223507A7271	2	
33	O-Ring	93210-06020	1	
34	Cover, Transmission cov	2130362F-001	1	
35	Seal, Oil	96500-304005A7271	1	
36	Bearing, Ball	96100-63050-00000	1	
37	Bearing, Ball	96100-63220-00000	1	
38	Nut	90204-64000-00C	1	
39	Gear, Front Shaft	2347262F-002	1	
40	Asm., Front Shaft	2349062A-001	1	

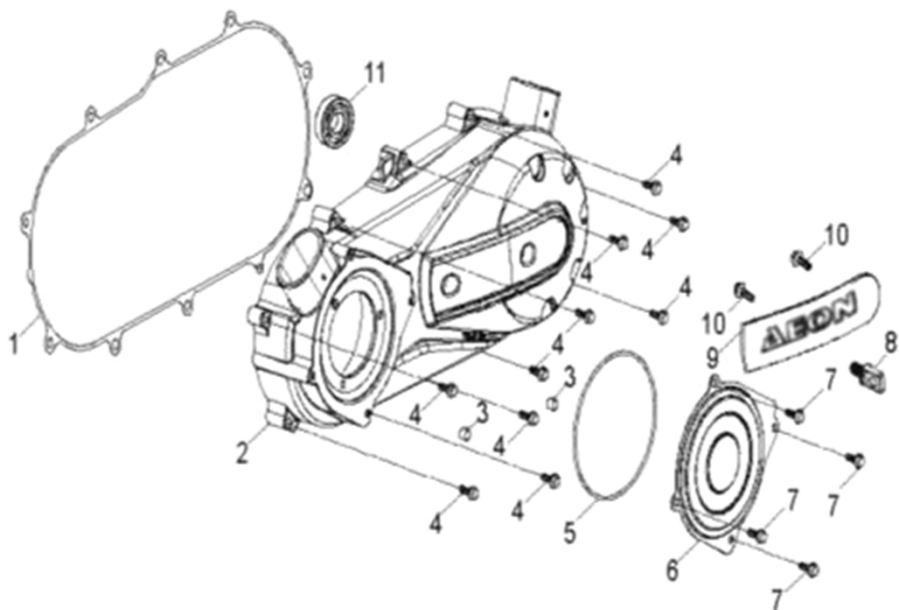
D-30: DRIVE ASSEMBLY & REAR



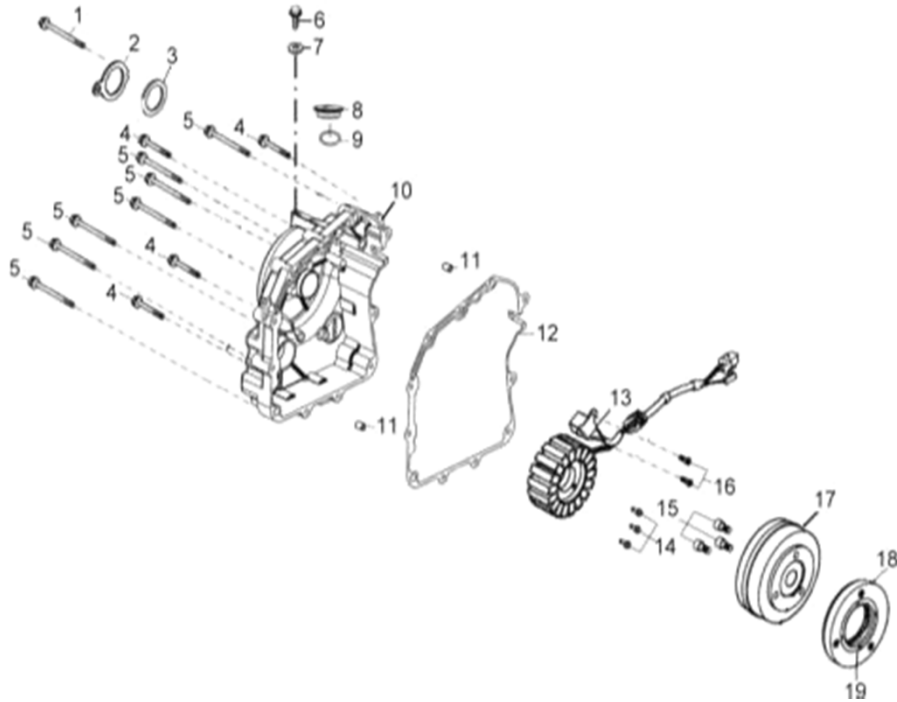
Item	Description	Part Number	Q.ty	Note
41	Clip, Cir	94511-2200S	1	
42	Gasket, Transmission Cd	2130462F-001	1	
43	Gear, Shaft, Output	2347062F-001	1	
44	Bolt	96000-080508-12C	2	
45	Gearcase, Rear	2136462F-000	1	

D-31: LEFT CRANKCASE COVER

Item	Description	Part Number	Q.ty	Note
1	Gasket	1135950A-001	1	
2	Cover, Clutch	11341206-000	1	
3	Pin, Dowel	94301-08140	2	
4	Bolt	96000-060408-08C	10	M6x40x1.0
5	O-Ring	93210-13030	1	
6	Inspection Cover	11356201-000	1	
7	Bolt	96000-060168-10K	4	M6x16x1.0
8	Drain plug	11353201-000	1	
9	Tablet, Logo	1134750A-000	1	
10	Bolt	96000-050128-00K	2	M5x12x0.8
11	Bearing, Ball	96100-6004-LLUC3/ZG	1	6004LLUC3/L542

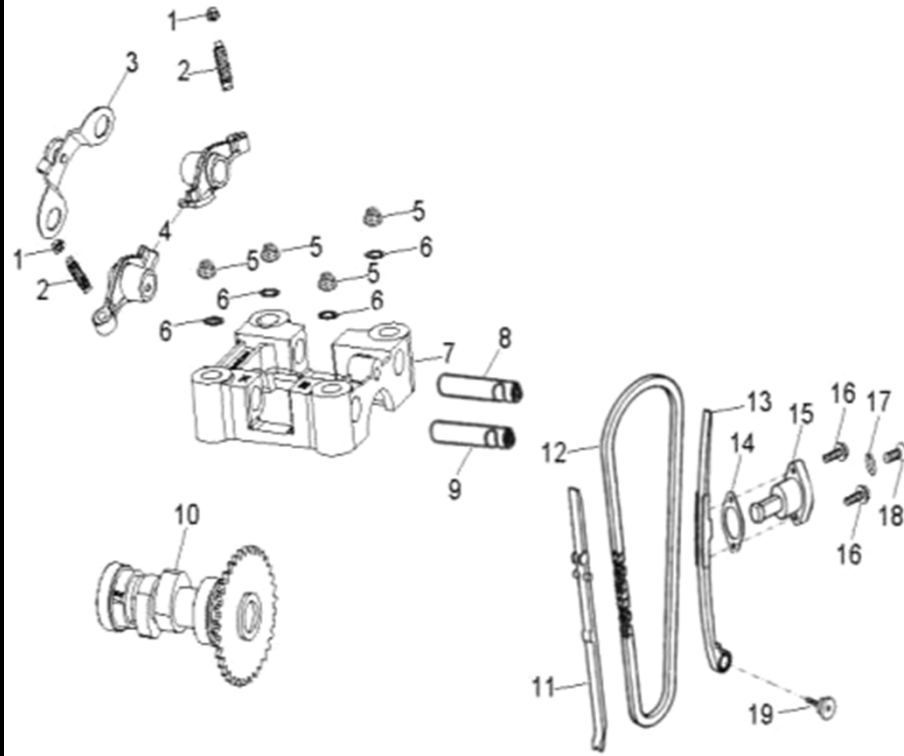


D-32: RIGHT CRANKCASE COVER



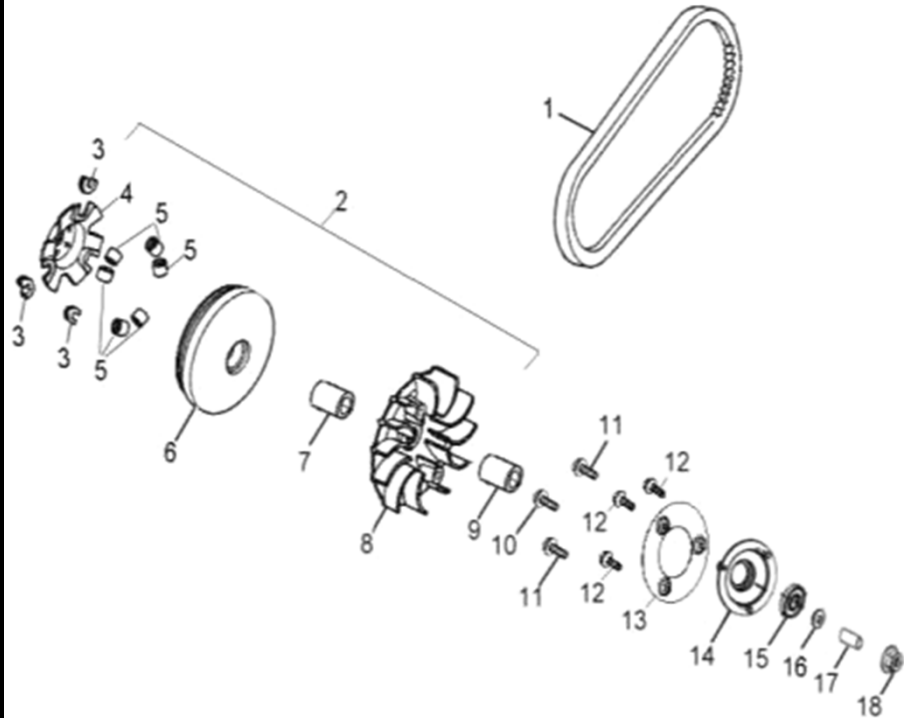
Item	Description	Part Number	Q.ty	Note
1	Bolt	96000-060128-08C	1	M6x12x1.0
2	Retainer, Sight Glass	1133350S-000	1	
3	Oil Windows	1120250A-000	1	
4	Bolt	96000-060458-08C	4	M6x45x1.0
5	Bolt	96000-061359-08G	7	
6	Bolt	96000-060108-10K	1	
7	Washer	94101-0612010-00U	1	6.5x12x1
8	Cap(Nickel Silver)	96600-30075000000	1	
9	O-Ring	93210-02724	1	27.4x2.4
10	Crankcase Cover, RH	1133550A-000	1	
11	Pin, Dowel	94301-10140	2	10x14
12	Gasket, Crankcase, RH	1139350A-001	1	
13	Stator	3112062E-000	1	
14	Screw	91300-050258-00C	3	M5x25x0.8 + washer
15	Bolt	91005-080188-00C	3	M8x18x1.25 (Anti-c)
16	Bolt	92000-050128-00C	2	M5x12x0.8
17	Flywheel	3111062E-000	1	
18	Outer, One Way	28121203-000	1	
19	Asm., Rollor, One Way	2813050B-000	1	

D-33: VALVE CAM



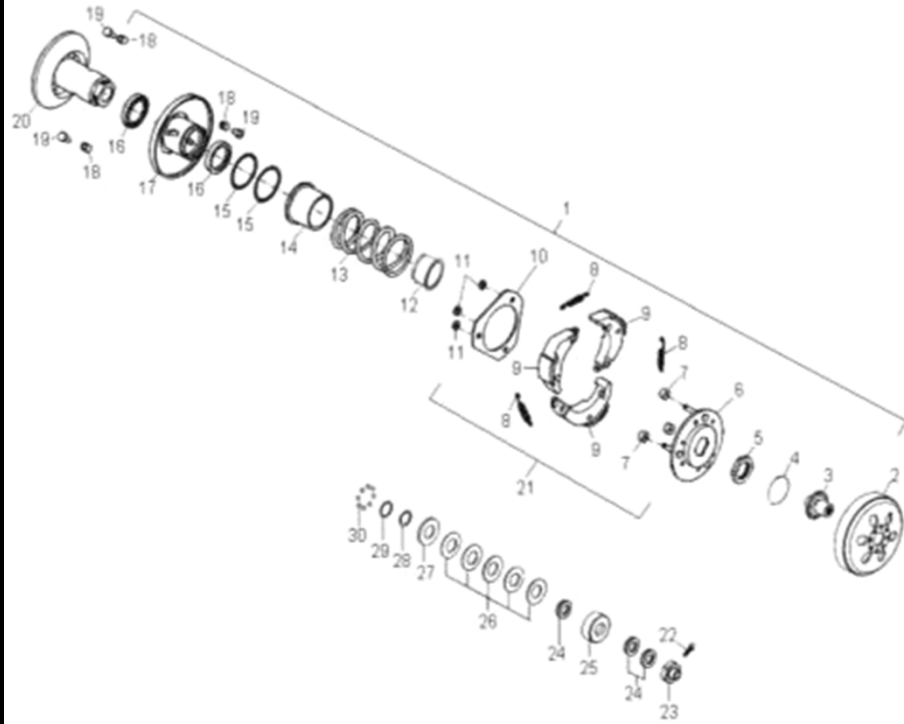
Item	Description	Part Number	Q.ty	Note
1	Nut, Tappet Adj.	90206-05000-00A	2	
2	Screw, Tappet Adj.	90012-06015	2	
3	Asm., Decomp. Release	1445662E-000	1	
4	Arm, Valve, Rocker	1443162E-000	2	
5	Nut	94050-08000-00C	4	M8x1.25
6	Washer	94101-0818023-00U	4	8x18x2.3
7	Bracket, Cam Shaft	1221162E-000	1	
8	Shaft, Intake, Rocker Arm	1445250A-000	1	
9	Shaft, Exhaust, Rocker Arm	1445362E-000	1	
10	Asm., Cam Shaft	1440062E-000	1	
11	Guide, Cam Chain, LH	1450055L-000	1	
12	Chain, Cam	1440155S-000	1	
13	Guide, Cam Chain, RH	1455050A-000	1	
14	Gasket, Tensioner	14523119-001	1	
15	Tensioner	14521119-000	1	
16	Bolt	96000-060228-14C	2	M6x22x1.0
17	O-Ring	93210-00915	1	9.5x1.5
18	Screw	93000-060068-00K	1	M6x6x1.0
19	Pivot, Guide	1453550A-000	1	

D-34: DRIVE CLUTCH



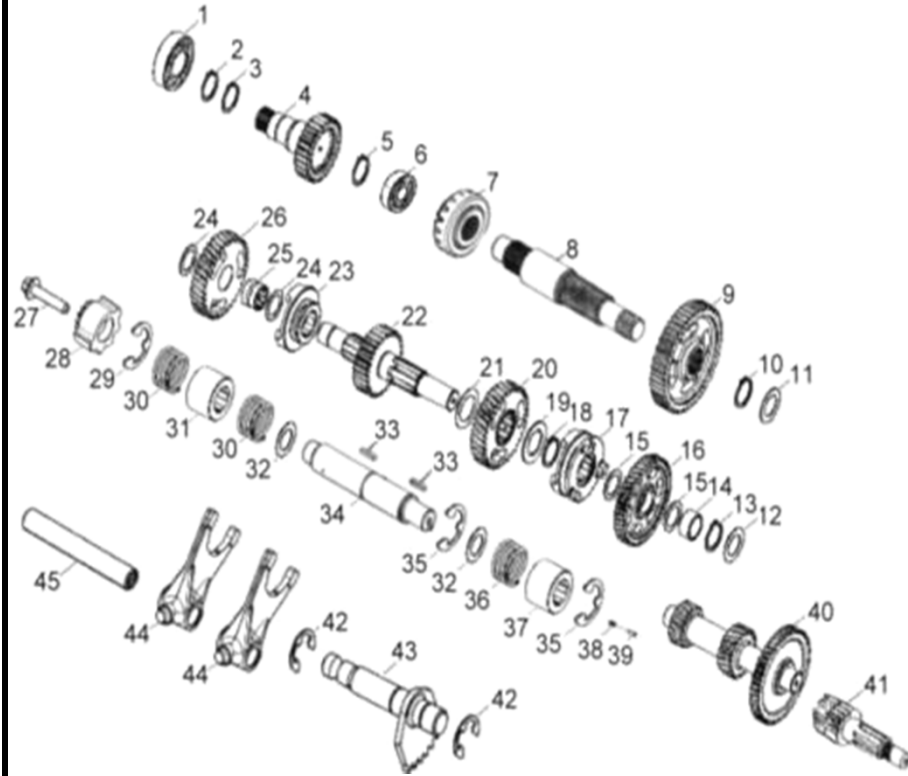
Item	Description	Part Number	Q.ty	Note
1	Belt, Driven	2310062E-000	1	
2	Asm., Sliding	2210362E-000	1	
3	Bushing, Slider	2213262E-000	3	
4	Plate, Sheave	2213162E-000	1	
5	Roller	2212162E-000	6	
6	Wheel, Slot, Sliding, Print	2211062E-000	1	
7	Bushing, Sheave	2210662E-000	1	
8	Sheave, moveable	2210262E-000	1	
9	Bushing, Sheave	2210650A-000	1	
10	Bolt	96000-060168-08C	1	M6x16x1.0
11	Bolt	96000-060258-08C	2	M6x25x1.0
12	Bolt	91003-060088-00K	3	
13	Wind Guider, Drive Clutch	1133950B-000	1	
14	Derby Cover	1135550A-000	1	
15	Bearing, Ball	96100-69050-LLU00	1	
16	Washer	94121-1426016-000	1	14x26x1.6
17	Tube, Spacer	42810223-000	1	
18	Nut	94050-14021-00C	1	

D-35: DRIVEN CLUTCH



Item	Description	Part Number	Q.ty	Note
1	Asm., Drive Clutch	2200062E-000	1	
2	Clutch, Outer	2210062E-000	1	
3	Hold, Cam	2210139A-000	1	
4	O-Ring	93214-02031	1	
5	Nut	95111-0001C-000	1	M28
6	Plate, Drive, Inner	2235062E-000	1	
7	Bushing, Rubber	2280462E-000	3	
8	Spring, Clutch	2240162E-000	3	
9	Weight, Clutch	2253562E-000	3	
10	Plate, Drive, Side	2235162E-000	1	
11	Clip, Cir	94511-0700E	3	
12	Seal, Collor	2323962E-000	1	
13	Spring, Clutch	2323362E-000	1	
14	Seal, Collor	2323762E-000	1	
15	O-Ring	93210-04720	2	47x2.0
16	Seal, Oil	96500-404704	2	40x47x4
17	Sheave, Moveable	2322062E-000	1	
18	Pin, Guide	2322562E-000	3	
19	Roller, Guide	2322662E-000	3	
20	Sheave, Driven	2320062E-000	1	
21	Asm., Driven Clutch	2200162E-000	1	
22	Bolt	91205-050088-0KL	1	M5x8x0.8
23	Nut, Driven	2210539A-000	1	
24	Washer	94101-2538010-000	3	25x38x1
25	Guide, Cam	2210839A-000	1	
26	Washer, Special	94122-2550020-00K	5	25.2x50x2
27	Retainer, Ball	2210439A-000	1	
28	Clip, Cir	94511-250IS	1	
29	Washer	94101-2531010-00K	1	25.2x31.3x1
30	Ball, Steel	96211-07000	8	

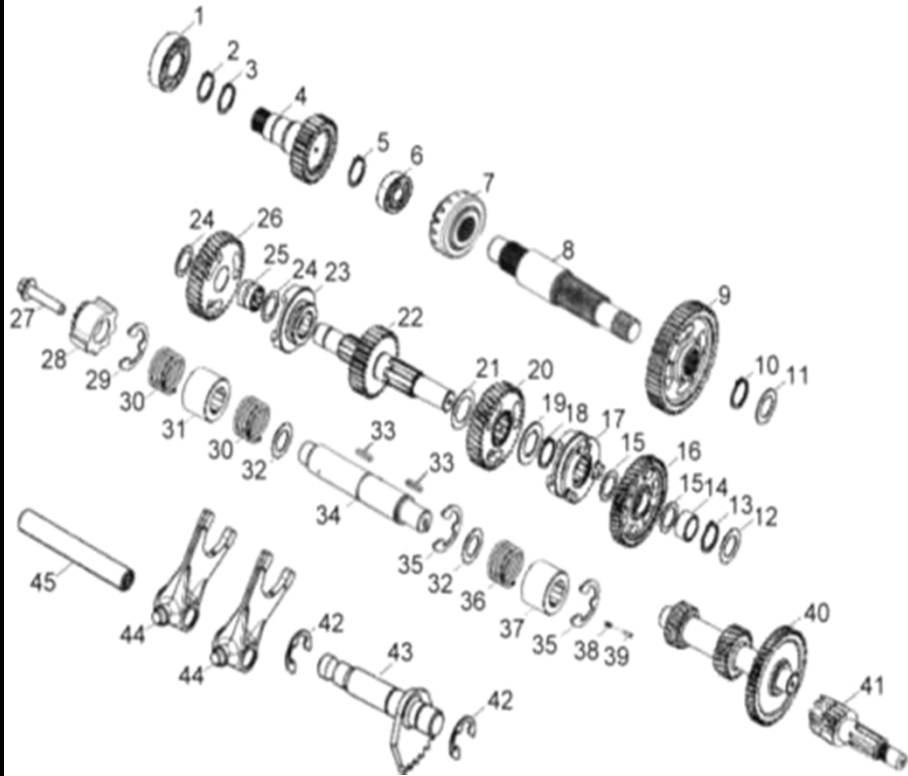
D-36: TRANSMISSION



Item	Description	Part Number	Q.ty	Note
1	Seal, Oil	96500-255207A5451	1	25x52x7
2	Clip, Cir	94512-5200R	1	
3	Clip, Cir	94511-2500S	1	25mm
4	Ideal Gear, Over Drive	2344355L-000	1	
5	Clip, Cir	94511-2000S	1	
6	Bearing, Ball	96100-63040-000C3	1	
7	Gear, Final Ring	2343350S-000	1	
8	Pinion, Output	2343150S-000	1	
9	Gear, Output	2343262F-000	1	
10	Clip, Cir	94511-240IS	1	
11	Washer	94101-1733015-000	1	17.2x33x1.5
12	Washer	94101-2033010-000	1	20x33x1
13	Clip, Cir	94511-2000S	1	
14	Collar, Shaft	2344250A-000	1	
15	Washer	94101-2028010-000	2	20.2x28x1
16	Asm., Gear, Spur	2345050A-001	1	
17	Ratchet, Shift	2243050A-001	1	
18	Clip, Cir	94511-2500S	1	25mm
19	Washer, Spline	2343550A-000	1	
20	Gear Set, Reverse	2346050A-000	1	
21	Washer	94101-2538010-000	1	25x38x1
22	Shaft, Transmission	2344162F-000	1	
23	Rachet, Over Drive	2344555L-000	1	
24	Washer	94101-2029010-000	2	20.2x29x1
25	Bearing, Needle	96200-202417	1	
26	Gear, Over Drive	2344455L-000	1	
27	Bolt	96000-060288-10C	1	M6x28x1.0
28	Gear, Drum Shift	2431050S-000	1	
29	E-Clip	94513-1900E	1	
30	Recoil, Shift	2430350S-001	2	
31	Drum, Gear Shifter	2430155L-001	1	
32	Washer	94101-2632005-000	2	26.2x32x0.5
33	Key, Woodruff	90472-40420	2	
34	Shaft, Shift Drum	2430855L-000	1	
35	Clip, Cir	94511-2600S	2	
36	Recoil, Shift	2430750S-000	1	
37	Drum, Gear Shifter	2430955L-001	1	
38	Spring, Drum Sensor	2425339A-000	1	
39	Roller, Drum Sensor	2425239A-000	1	
40	Asm., Shaft, Counter	2342055L-000	1	

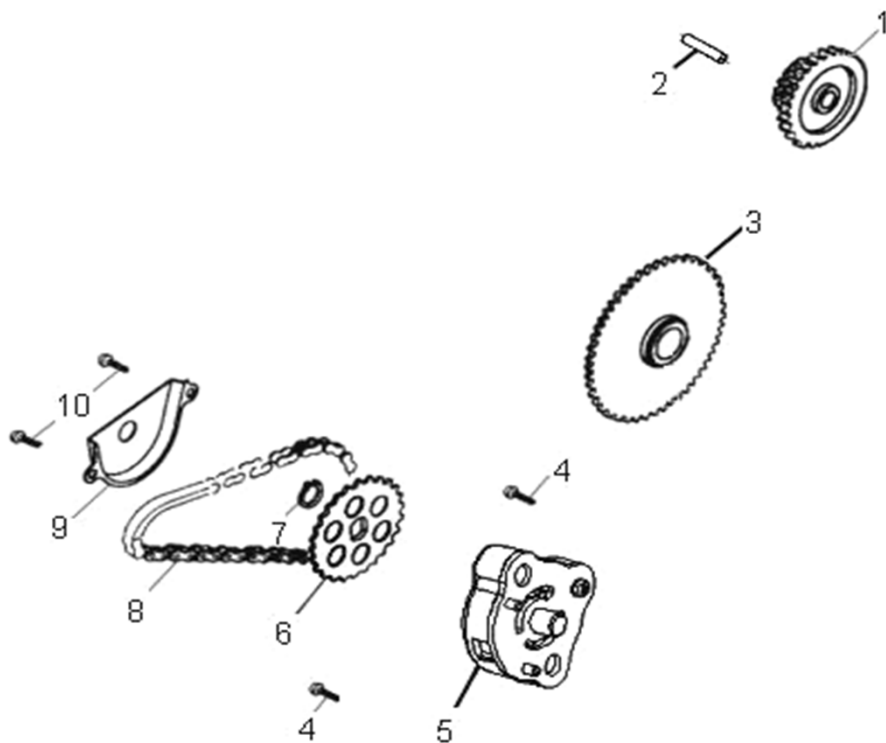
D-36: TRANSMISSION

Item	Description	Part Number	Q.ty	Note
41	Shaft, Drive	2341150S-000	1	
42	E-Clip	94513-1200E	2	
43	Spindle	2461150S-000	1	
44	Fork, Shift	2423150A-000	2	
45	Shaft, Gear Shift	2424155L-000	1	

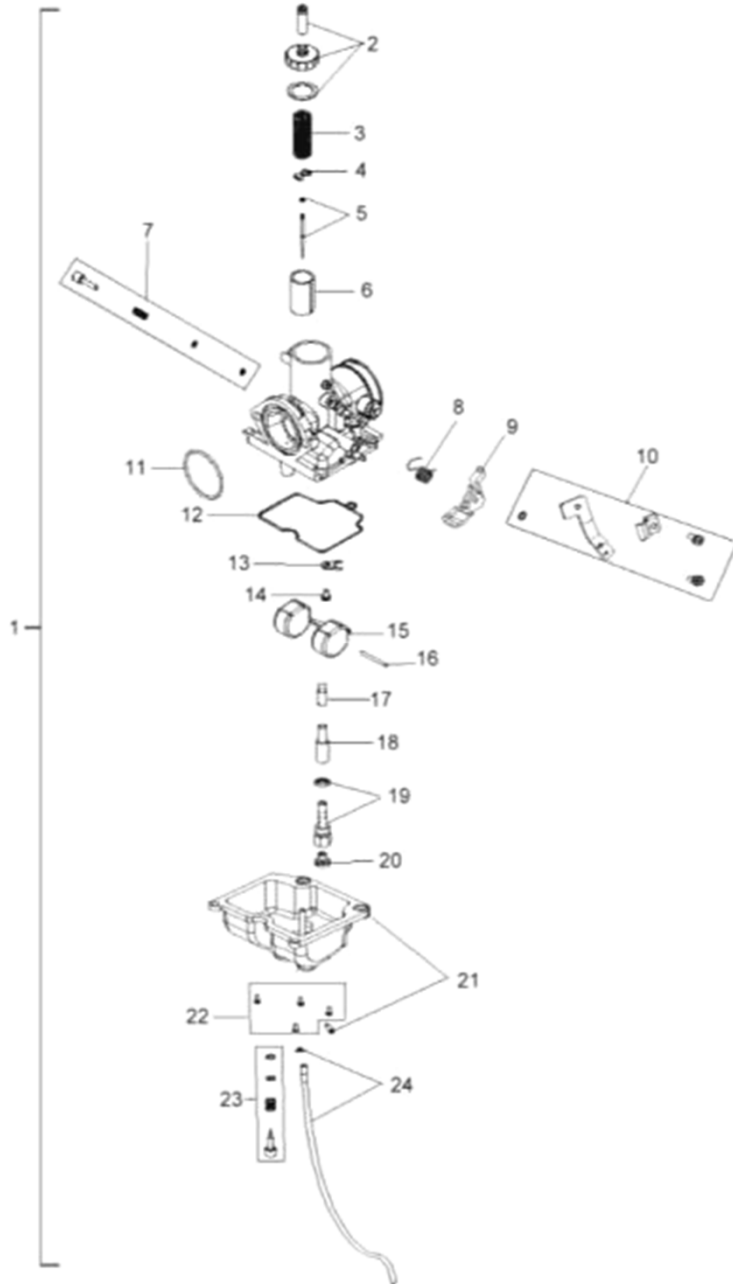


D-37: OIL PUMP

Item	Description	Part Number	Q.ty	Note
1	Gear, Starter	2842350A-000	1	
2	Shaft, Starter Motor	2842450A-000	1	
3	Gear, Starter	2822050B-000	1	
4	Bolt	96000-060308-08C	2	M6x30x1.0
5	Asm., Oil Pump	1500050A-000	1	
6	Sprocket, Oil Pump	1515050A-000	1	
7	Clip, Cir	94511-1000S	1	
8	Chain, Oil Pump	1514150A-000	1	
9	Cover, Oil Pump	1571150A-000	1	
10	Bolt	96000-060128-08C	2	M6x12x1.0



D-38: CARBURETOR



Item	Description	Part Number	Q.ty	Note
1	Asm., Carburetor	1610062E-000	1	
2	Asm., Cap	1614062E-000	1	
3	Spring	1610262E-000	1	
4	Washer, Lock	5131962E-000	1	
5	Asm., Jet Needle	1610462E-000	1	
6	Throttle, Valve	1610362E-000	1	
7	Screw, Idle	1611462E-000	1	
8	Recoil, Choke	1612762E-000	1	
9	Choke, Lever	1613562E-000	1	
10	Support, Cable	1613062E-000	1	
11	O-Ring	93210-03520	1	
12	Seal, Float	1610662E-000	1	
13	Bracket, Valve	1618562E-000	1	
14	Bolt	93500-040068-00C	1	
15	Float	1612362E-000	1	
16	Pin, Float	1611962E-000	1	
17	Pilot, Jet	1614162E-000	1	
18	Needle, Jet	1615062E-000	1	
19	Valve, Needle	1610562E-000	1	
20	Jet, Main	1610862E-000	1	
21	Float, Body	1610762E-000	1	
22	Bolt	93501-040128-00C	4	
23	Screw, Air	1614362E-000	1	
24	Drain Tube	1610962E-000	1	

D-39: STARTING MOTOR

Item	Description	Part Number	Q.ty	Note
1	Motor, Starter	3120062E-000	1	
2	O-Ring	93210-02431	1	24.4x3.1
3	Bolt	96000-060208-08C	2	M6x20x1.0

