

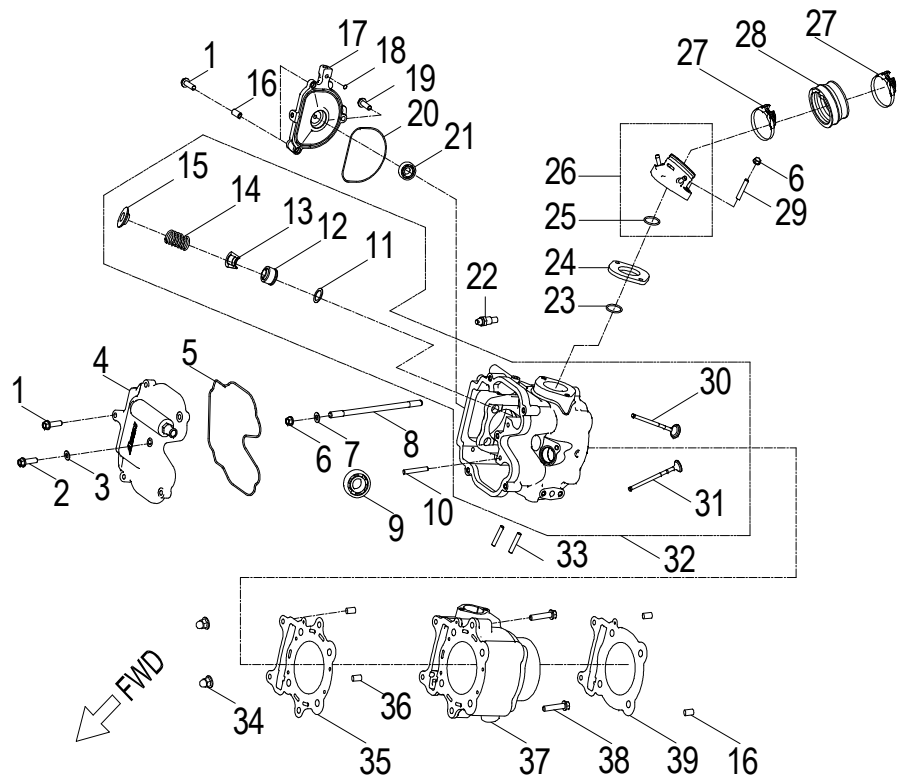
CROSSLAND 400



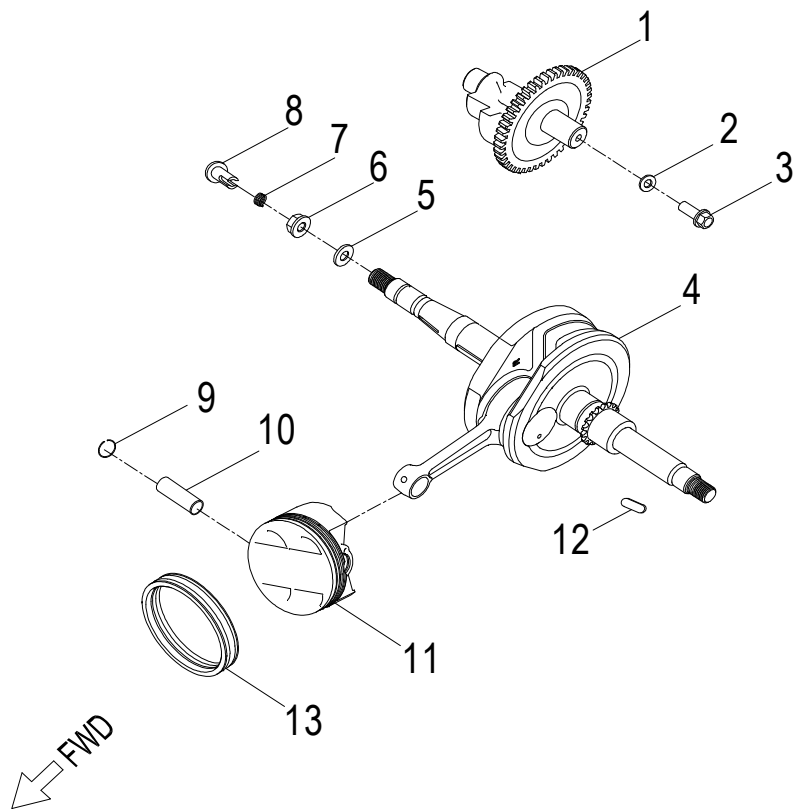
VIN Nंबर:

RF3UA20D0GT0001391

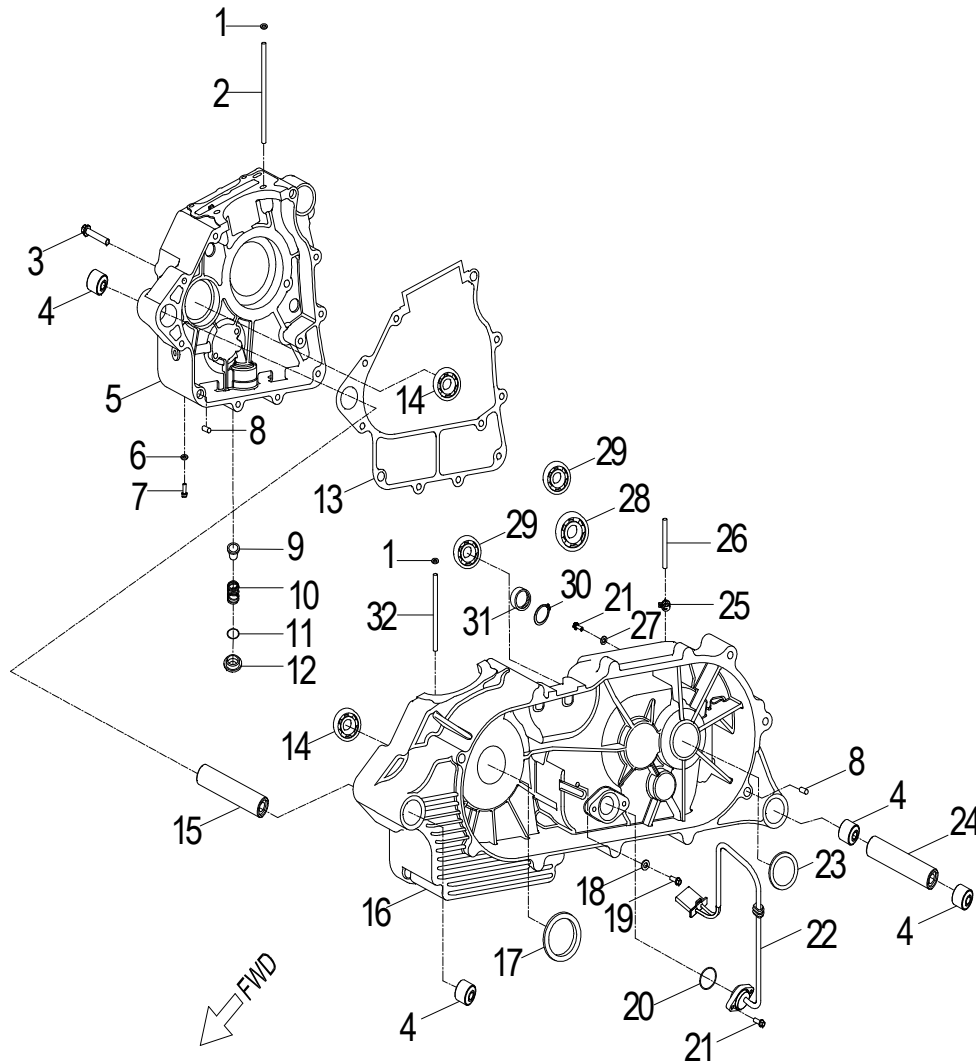




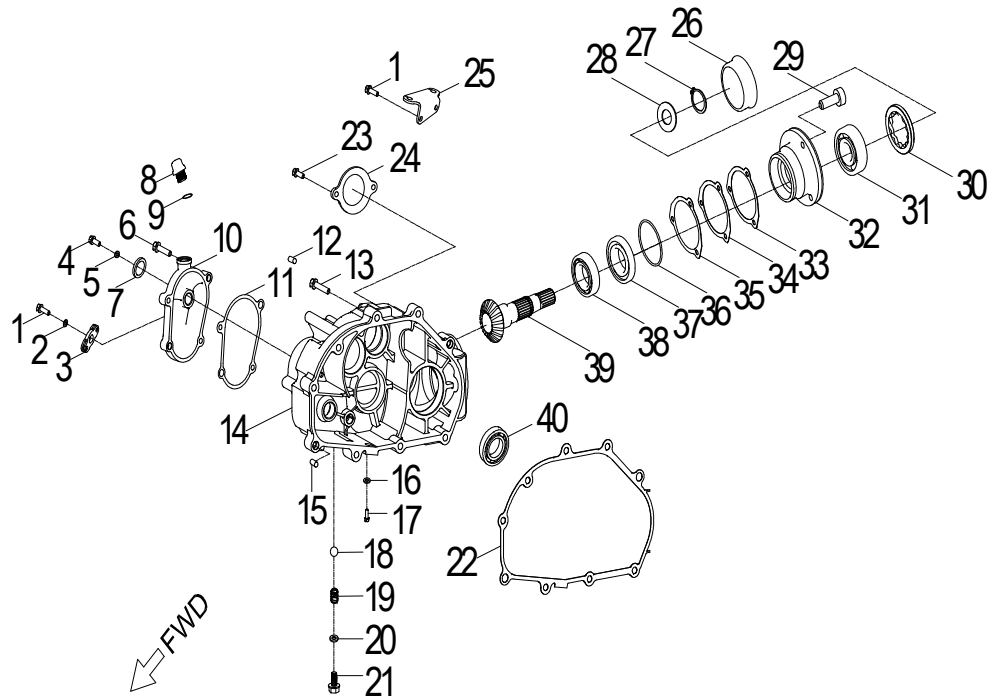
ITEM	DESCRIPTION	P/N	Q"TY
1	Bolt	96000-060258-08C	7
2	Bolt	96000-060308-08C	1
3	Washer	94101-0612010-00U	2
4	Asm., Head Cover	1231069T-000	1
5	Gasket , Head Cover	1239169S-000	1
6	Nut	94050-06000-00C	2
7	Washer	94101-0613020-U00	2
8	Stud	91001-061158-00C	2
9	Bearing, Ball	96100-60020-00000	1
10	Pin, Dowell	1447569S-000	2
11	Seat, Valve, Spring, Outer	1477569S-000	4
12	Seal, Valve	1220962B-000	4
13	Clip, Retainer	1478169S-000	8
14	Spring, Valve, Outer	1475169S-000	4
15	Retainer, Valve, Spring	1477169S-000	4
16	Pin, Dowel	94301-08080	4
17	Cover, Head , RH	1233169S-000	1
18	O-Ring	93216-00725	1
19	Bolt	96000-060208-08C	1
20	Gasket, Cam Cover	1233269S-000	1
21	Bearing, Ball	96100-60000-Z00C3	1
22	Plug, Spark	9807650N-000	1
23	O-Ring	93210-04320	1
24	Insulator, Cylinder head	1711269S-000	1
25	O-Ring	93210-04330	1
26	Asm., Manifold, Intake	1710069S-000	1
27	Strap	94520-04064	2
28	Adapter, Carburetor	1614669S-000	1
29	Stud	91001-060408-00C	2
30	Valve, Intake	1471169S-000	2
31	Valve, Exhaust	1472169S-000	2
32	Asm., Cylinder Head	1220069S-000	1
33	Stud	91001-080328-00C	2
34	Nut	94022-06000-00C	2
35	Gasket Set	1225069S-000	1
36	Pin, Dowel	94301-10140	2
37	Cylinder	1210069S-000	1
38	Bolt	96000-060308-08C	2
39	Gasket, Cylinder	1219169S-000	1



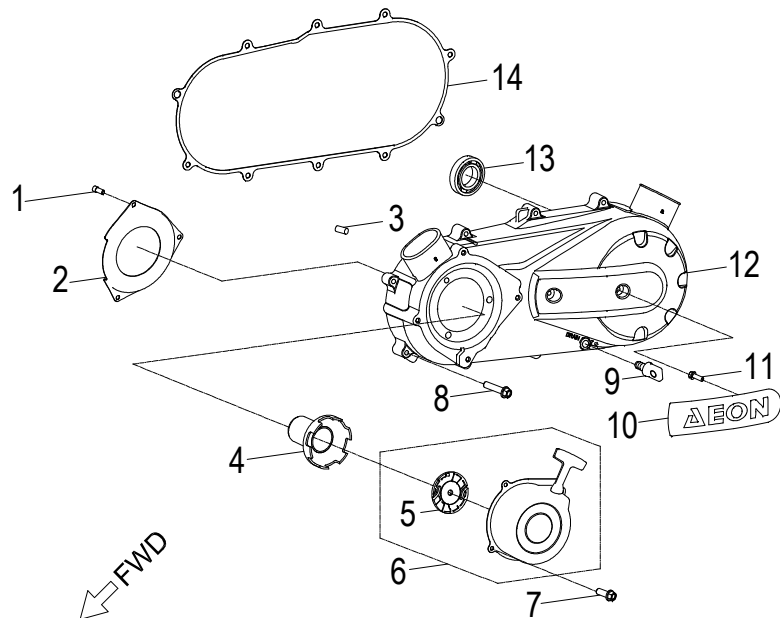
ITEM	DESCRIPTION	P/N	Q"TY
1	Shaft, Balancer	1342069S-000	1
2	Washer	94101-0832030-000	1
3	Bolt	96000-080148-OKL	1
4	Asm., Crankshaft	1300069S-000	1
5	Washer	94101-1426020-00C	1
6	Nut	94001-14000-00C	1
7	Spring, Oil	1544739A-000	1
8	Tube, Oil, Crankshaft	1544139A-000	1
9	Clip, Piston Pin	1311550A-000	2
10	Pin, Piston	1311169S-000	1
11	Piston	1310069S-000	1
12	Key, Woodruff	90471-25404	1
13	Ring Set, Piston	1301169S-000	1



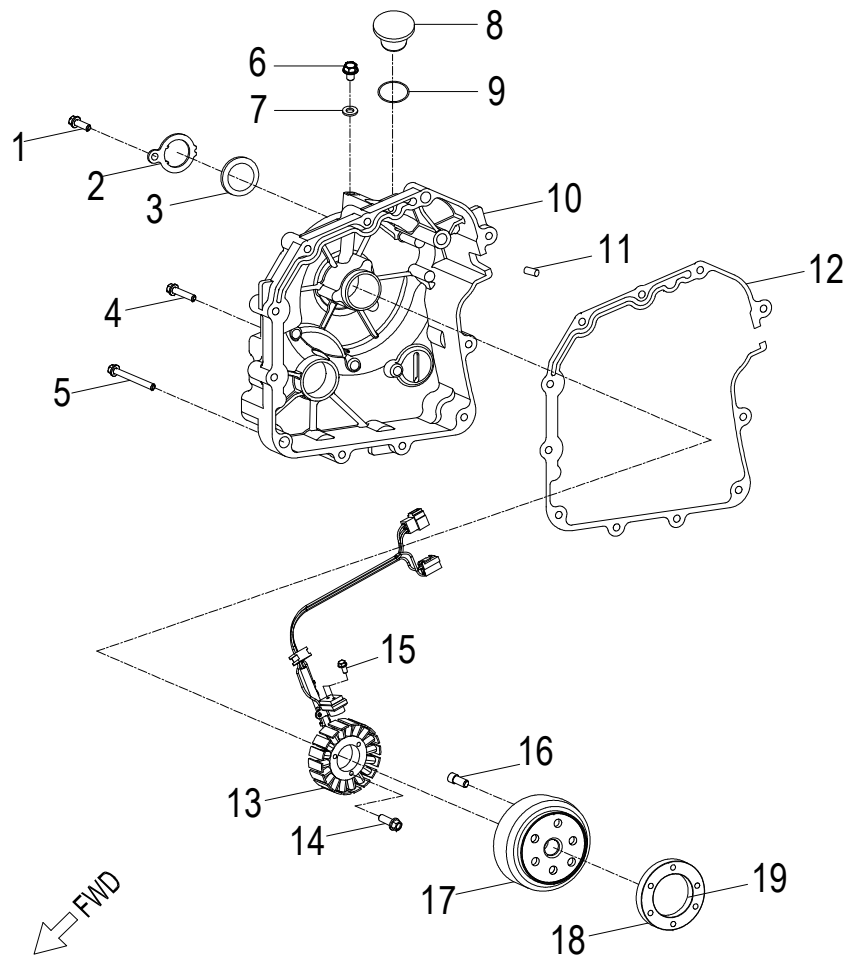
ITEM	DESCRIPTION	P/N	Q"TY
1	Washer	94108-0816030-00C	4
2	Stud	91001-081818-00B	2
3	Bolt	96000-060508-08C	4
4	Bushing	96400-102824	4
5	Crankcase, Rh	1110150A-000	1
6	Washer	94101-1221320-00L	1
7	Bolt	96003-120158-17C	1
8	Pin, Dowel	94301-10140	4
9	Screen	15421119-000	1
10	Spring, Screen	15426119-000	1
11	O-Ring	93212-03132	1
12	Plug, Drain, Oil	11334119-000	1
13	Gasket	1119150A-002	1
14	Bearing, Ball	96100-63040-00000	3
15	Spacer, Collar	1115050A-000	1
16	Crankcase, Lh	1120150A-001	1
17	Seal, Oil	96504-304207FKM	1
18	Washer	94101-0624016-00G	1
19	Bolt	96000-060108-08C	1
20	O-Ring	93212-02620	1
21	Bolt	96000-060128-08C	4
22	Asm., Sensor, Shifter	3575950S-000	1
23	Seal, Oil	96504-253807FKM	1
24	Spacer, Collar, Rear	1115150A-000	1
25	Clamp	94515-12008	1
26	Hose	94408-09013-400	1
27	Washer	94101-0618015-00K	2
28	Bearing, Ball	96100-63050-00000	1
29	Bearing, Ball	96100-62040-00000	2
30	Clip, Cir	94511-2500S	1
31	Bearing, Needle	96200-202715	1
32	Stud	91001-081888-00B	2



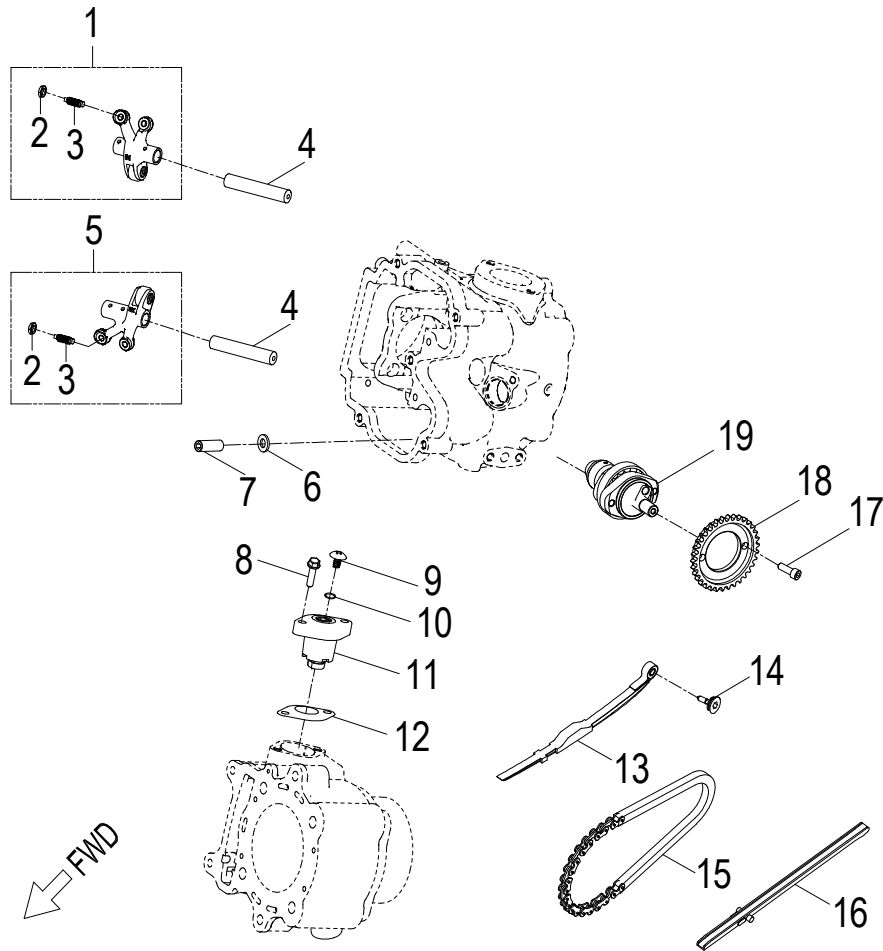
ITEM	DESCRIPTION	P/N	Q"TY
1	Bolt	96000-060168-10K	3
2	Washer	94101-0618015-00K	1
3	Lever, Shift	2131755L-000	1
4	Bolt	96000-060088-00K	1
5	Washer	94101-0612010-00U	1
6	Bolt	96000-060358-08C	4
7	Seal, Oil	96500-142807A7271	1
8	Plug, Oil	15650111-001	1
9	O-Ring	93210-01425	1
10	Gasket, Inspection Cover	2136250S-002	1
11	Cover, Shift	2136150S-000	1
12	Pin, Dowel	94301-08140	2
13	Bolt	96000-080458-00C	9
14	Cover, Transmission	2130155L-000	1
15	Pin, Dowel	94301-10140	2
16	Washer	94101-1221320-00L	1
17	Bolt	96000-120158-14C	1
18	Ball, Steel	2132239A-000	1
19	Spring, Detent	2430655E-000	1
20	Washer	94101-1422010-00L	1
21	Bolt	2430539A-000	1
22	Gasket, Transmission Cover	2139550A-002	1
23	Bolt	96000-060168-08C	2
24	Inspection Cover	2136355L-000	1
25	Adaptor, Shift Cable	2134150A-000	1
26	Collar	2347150A-000	1
27	Clip, Cir	94511-2100S	1
28	Washer	94101-2136010-00C	1
29	Bolt	91000-080258-00K	3
30	Nut	90204-64000-00C	1
31	Bearing, Ball	96100-6305-LLUC3/ZG	1
32	Collar, Gear Shaft	2130655L-000	1
33	Shim	23476204-000	1
34	Shim	23476205-000	1
35	Shim	23476206-000	1
36	O-Ring	93210-06020	1
37	Seal, Oil	96504-304005NBR	1
38	Bearing, Ball	96100-60060-00000	1
39	Gear, Shaft, Output	2347050S-000	1



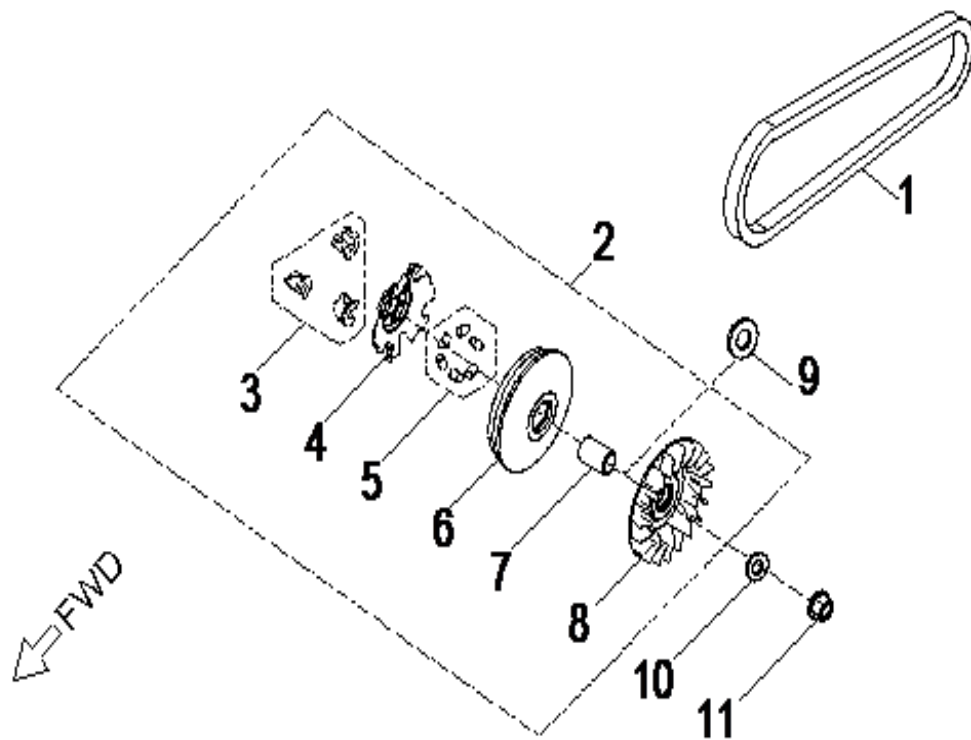
ITEM	DESCRIPTION	P/N	Q"TY
1	Bolt	91003-060088-00K	3
2	Wind Guider, Drive Clutch	1133969S-000	1
3	Pin, Dowel	94301-10140	2
4	Ratchet, Recoil	2210769S-000	1
5	Sliding Cover Comp	1170650A-000	1
6	Recoil, Starter	1135050A-000	1
7	Bolt	96000-060168-10K	4
8	Bolt	96000-060408-08C	10
9	Drain plug	11353201-000	1
10	Tablet, Logo	1134750A-000	1
11	Bolt	96000-050128-00K	2
12	Cover, Clutch	1134169S-000	1
13	Bearing, Ball	96100-6004-LLUC3/ZG	1
14	Gasket	1135950A-002	1



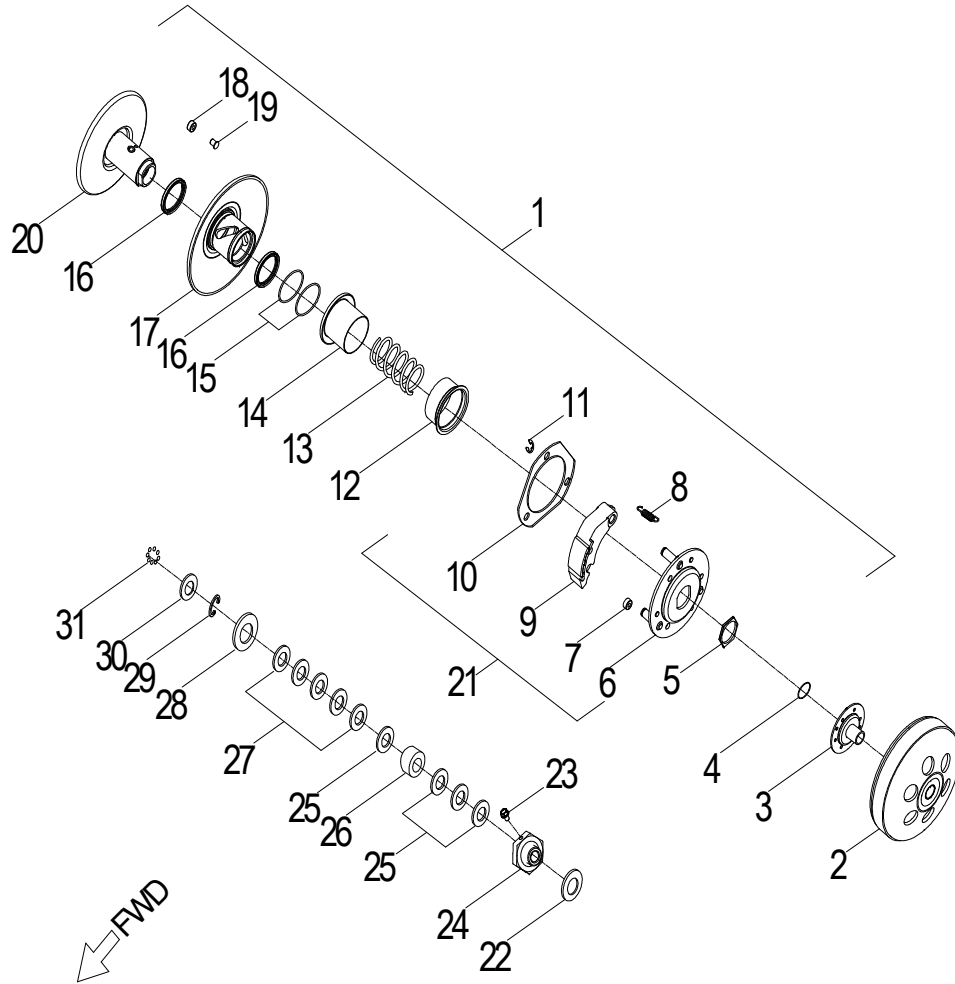
ITEM	DESCRIPTION	P/N	Q"TY
1	Bolt	96000-060128-08C	1
2	Retainer, Sight Glass	1133350S-000	1
3	Oil Windows	1120250A-000	1
4	Bolt	96000-060458-08C	4
5	Bolt	96000-061359-08G	7
6	Bolt	96000-060108-10K	1
7	Washer	94101-0612010-00U	1
8	Cap(Nickel Silver)	96600-30075000000	1
9	O-Ring	93210-02724	1
10	Crankcase Cover, Rh	1133550A-000	1
11	Pin, Dowel	94301-10140	2
12	Gasket, Crankcase, RH	1139350A-002	1
13	Stator	3112062E-000	1
14	Screw	91300-050258-00C	3
15	Bolt	92000-050128-00C	2
16	Bolt	91000-080188-00C	6
17	Flywheel	3111069F-000	1
18	Outer, One Way	2812169N-000	1
19	Asm., Rollor, One Way	2813069N-000	1



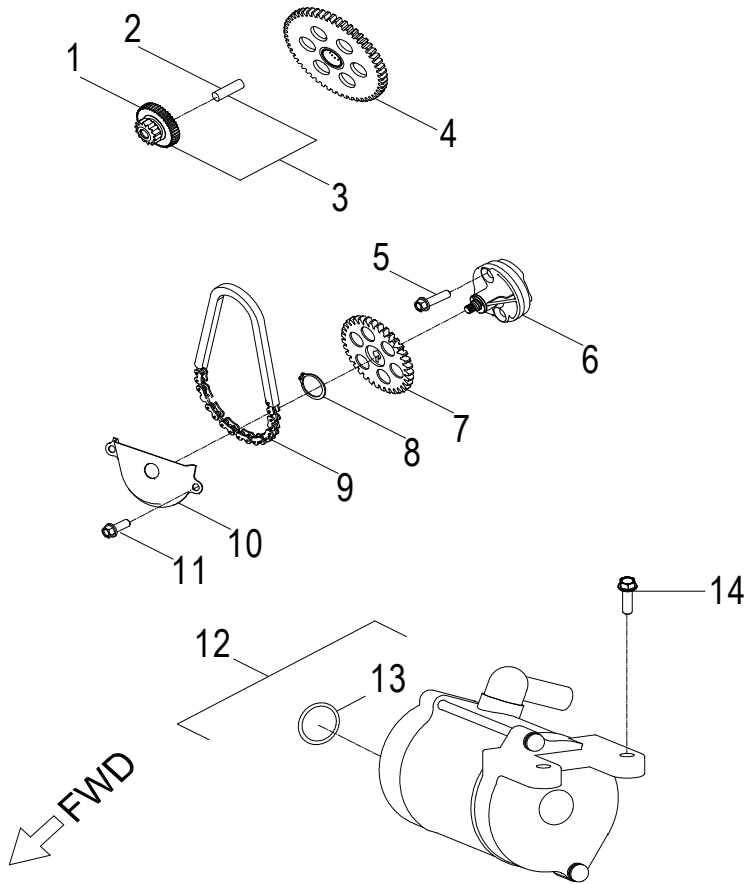
ITEM	DESCRIPTION	P/N	Q"TY
1	Arm Comp,Valve Rocker Intake	1443069F-000	1
2	Nut,Tappet Adjusting	14433140-000	4
3	Screw,Tappet Adjusting	14432140-000	4
4	Shaft,Valve Rocker Arm	1445169S-000	2
5	Arm Comp,Valve Rocker Exhaust	1444069F-000	1
6	Washer	94108-0816030-00C	4
7	Nut, Head	1221869S-000	4
8	Bolt	96000-060228-14C	2
9	Screw	93000-060068-00K	1
10	O-Ring	93210-00915	1
11	Tensioner	1452150N-000	1
12	Gasket, Tensioner	14523119-002	1
13	Guide, Cam Chain, RH	1455050A-000	1
14	Pivot, Guide	1453550A-000	1
15	Chain, Cam	1440169S-000	1
16	Guide, Cam Chain, LH	1450050N-000	1
17	Bolt	91000-060128-0KL	2
18	Sprocket, Camshaft	1410869S-000	1
19	Asm., Cam Shaft	1440050T-000	1



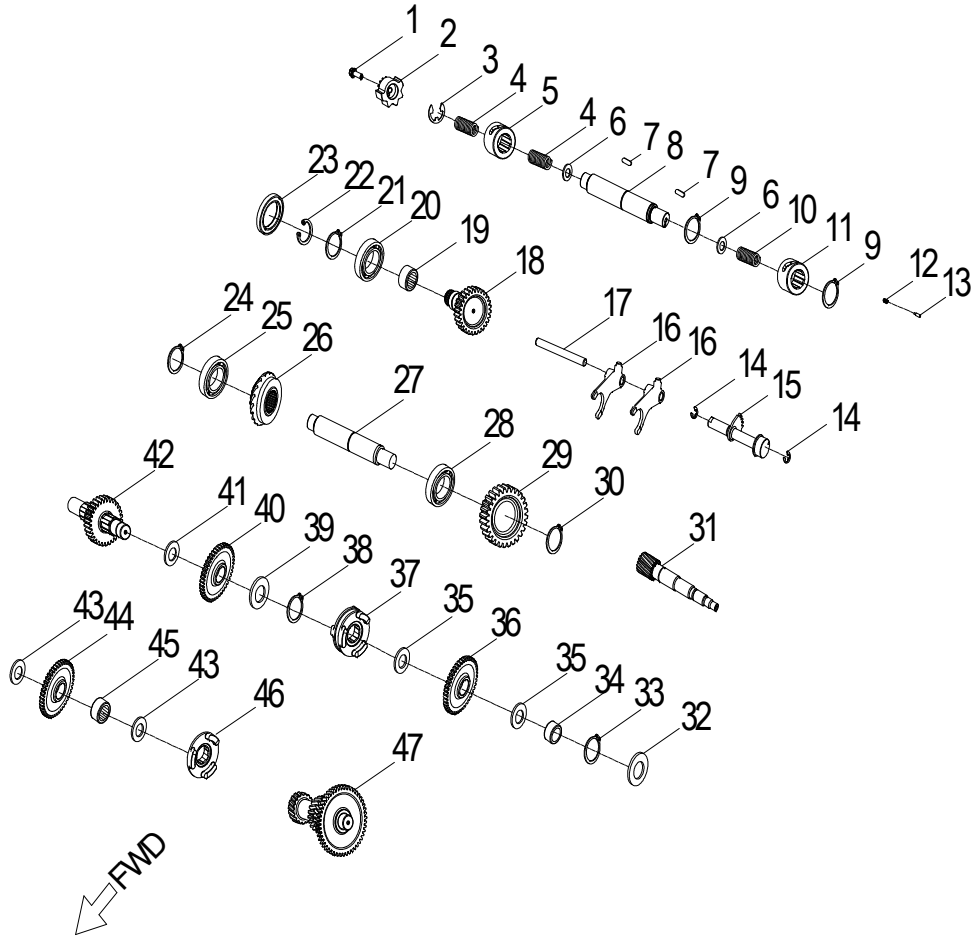
Item	Description	Part number	Q.ty
1	Belt, Driven	2310069F-000	1
2	Asm., Sliding	2210369S-000	1
3	Bushing, Slider	2213369N-000	1
4	Plate, Sheave	2213169S-000	1
5	Roller	2212069S-000	1
6	Wheel, Slot, Sliding, Primary	2211062E-000	1
7	Bushing, Sheave	2210669S-000	1
8	Sheave, moveable	2210262E-000	1
9	Washer	94101-1733015-000	1
10	Washer	94121-1426016-000	1
11	Nut	94050-14021-00C	1



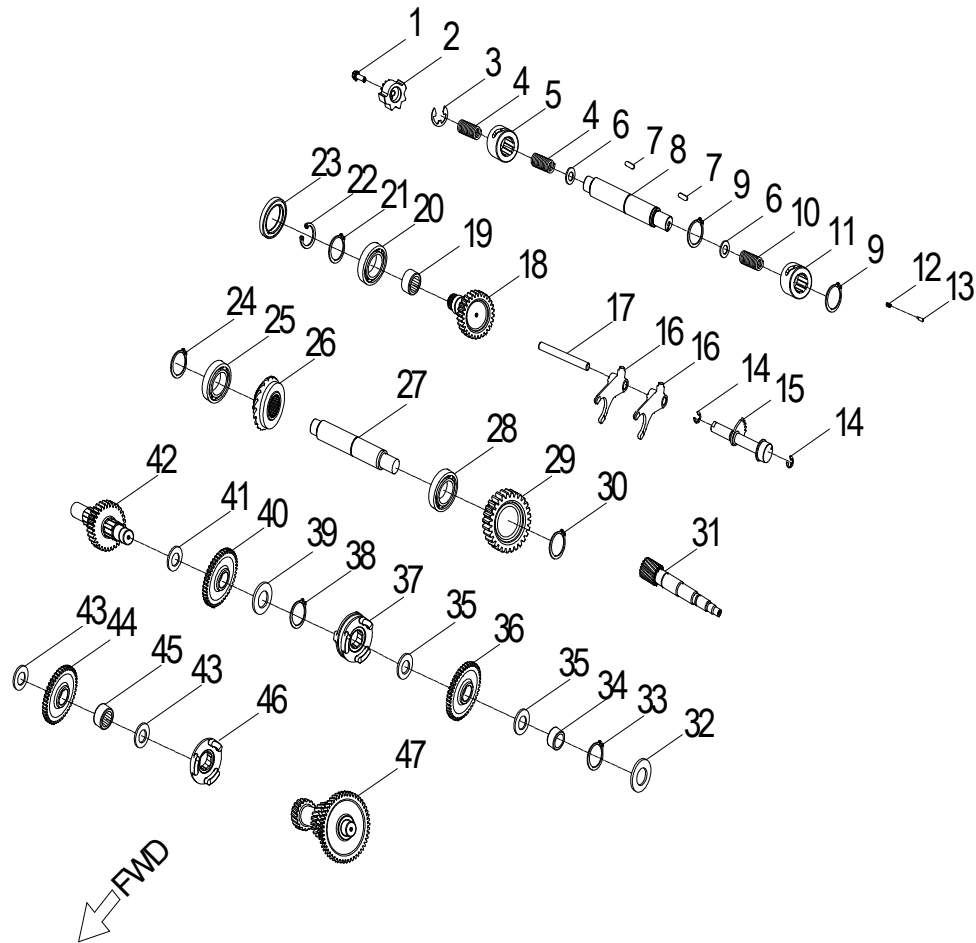
ITEM	DESCRIPTION	P/N	Q"TY
1	Asm., Driven Clutch	2200069S-000	1
2	Clutch, Outer	2210062E-000	1
3	Hold, Cam	2210139A-000	1
4	O-Ring	93214-02031	1
5	Nut	95111-0001C-000	1
6	Plate, Drive, Inner	2235062E-000	1
7	Bushing, Rubber	2280469N-000	3
8	Spring, Clutch	2240162E-000	3
9	Weight, Clutch	2253569N-000	3
10	Plate, Drive, Side	2235162E-000	1
11	Clip, Cir	94511-0700E	3
12	Seal, Collor	2323962E-000	1
13	Spring, Clutch	2323362E-000	1
14	Seal, Collor	2323762E-000	1
15	O-Ring	93214-04720	2
16	Seal, Oil	96500-404704FKM	2
17	Sheave, Moveable	2322062E-001	1
18	Roller, Guide	2322662E-000	3
19	Pin, Guide	2322562E-000	3
20	Sheave, Driven	2320062E-000	1
21	Asm., Driven Shoes	2200162E-000	1
22	Washer	94121-2038005-00K	1
23	Bolt	91205-050088-0KL	1
24	Nut, Driven	2210539A-000	1
25	Washer	94101-2538010-000	4
26	Guide, Cam	2210839A-000	1
27	Washer, Special	94122-2550020-00K	5
28	Retainer, Ball	2210439A-000	1
29	Clip, Cir	94511-250IS	1
30	Washer	94101-2531010-00K	1
31	Ball, Steel	96211-07000	8



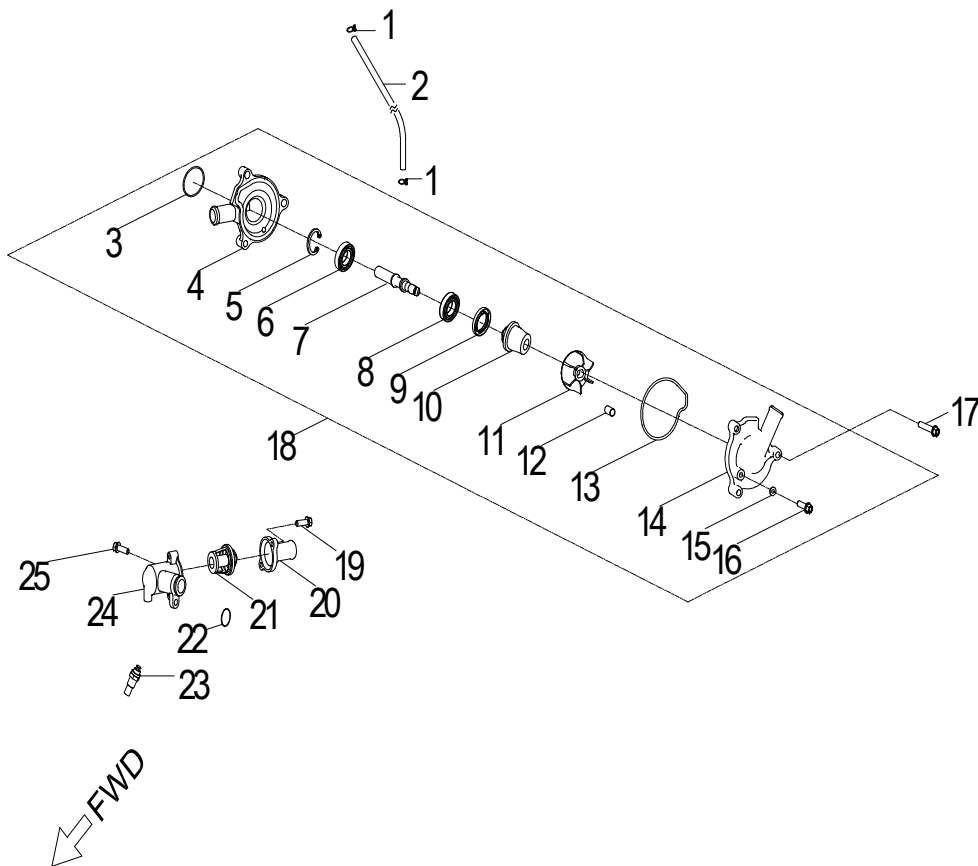
ITEM	DESCRIPTION	P/N	Q"TY
1	Gear, Starter	2842350A-000	1
2	Shaft, Starter Motor	2842450A-000	1
3	Asm., Gear Starter	2842250A-000	1
4	Gear, Starter	2822069N-000	1
5	Bolt	96000-060308-08C	2
6	Asm., Oil Pump	1500050A-000	1
7	Sprocket, Oil Pump	1515050A-000	1
8	Clip, Cir	94511-1000S	1
9	Chain, Oil Pump	1514150A-000	1
10	Cover, Oil Pump	1571150A-000	1
11	Bolt	96000-060128-08C	2
12	Motor, Starter	3120062E-000	1
13	O-Ring	93210-02431	1
14	Bolt	96000-060208-08C	2



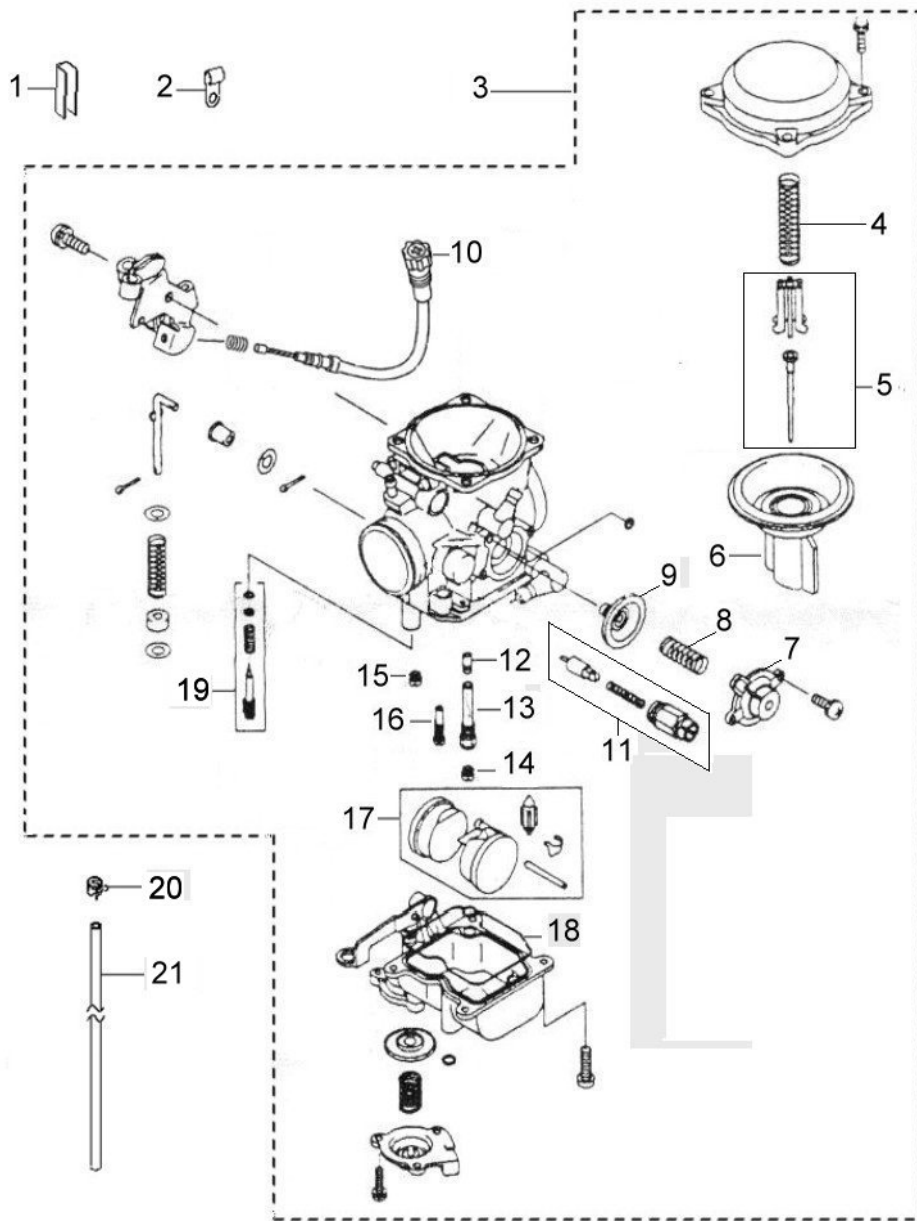
ITEM	DESCRIPTION	P/N	Q"TY
1	Bolt	96000-060288-10C	1
2	Gear , Drum Shift	2431050S-000	1
3	E-Clip	94513-1900E	1
4	Recoil, Shift	2430350S-001	2
5	Drum, Gear Shifter	2430155L-001	1
6	Washer	94101-2632005-000	2
7	Key, Woodruff	90472-40420	2
8	Shaft, Shift Drum	2430855L-000	1
9	Clip, Cir	94511-2600S	2
10	Recoil, Shift	2430750S-000	1
11	Drum, Gear Shifter	2430955L-001	1
12	Spring, Drum Sensor	2425339A-000	1
13	Roller, Drum Sensor	2425239A-000	1
14	E-Clip	94513-1200E	2
15	Spindle	2461150S-000	1
16	Fork, Shift	2423150A-000	2
17	Shaft, Gear Shift	2424155L-000	1
18	Idler Gear, Over Drive	2344355L-000	1
19	Bearing, Needle	96200-304217	1
20	Bearing, Ball	96100-62050-00000	1
21	Clip, Cir	94511-2500S	1
22	Clip, Cir	94512-5200R	1
23	Seal, Oil	96504-255207NBR	1
24	Clip, Cir	94511-2000S	1
25	Bearing, Ball	96100-63040-000C3	1
26	Gear, Final Ring	2343350S-000	1
27	Pinion,Output	2343150S-000	1
28	Bearing, Ball	96100-62060-00000	1
29	Gear,Output	2343269S-000	1
30	Clip, Cir	94511-2400S	1
31	Shaft, Drive	2341150S-000	1
32	Washer	94101-2033010-000	1
33	Clip, Cir	94511-2000S	1
34	Collar, Shaft	2344250A-000	1
35	Washer	94101-2028010-000	2
36	Asm., Gear, Spur	2345050A-001	1
37	Ratchet, Shift	2243050A-001	1
38	Clip, Cir	94511-2500S	1
39	Washer, Spline	2343550A-000	1
40	Gear Set, Reverse	2346050A-000	1



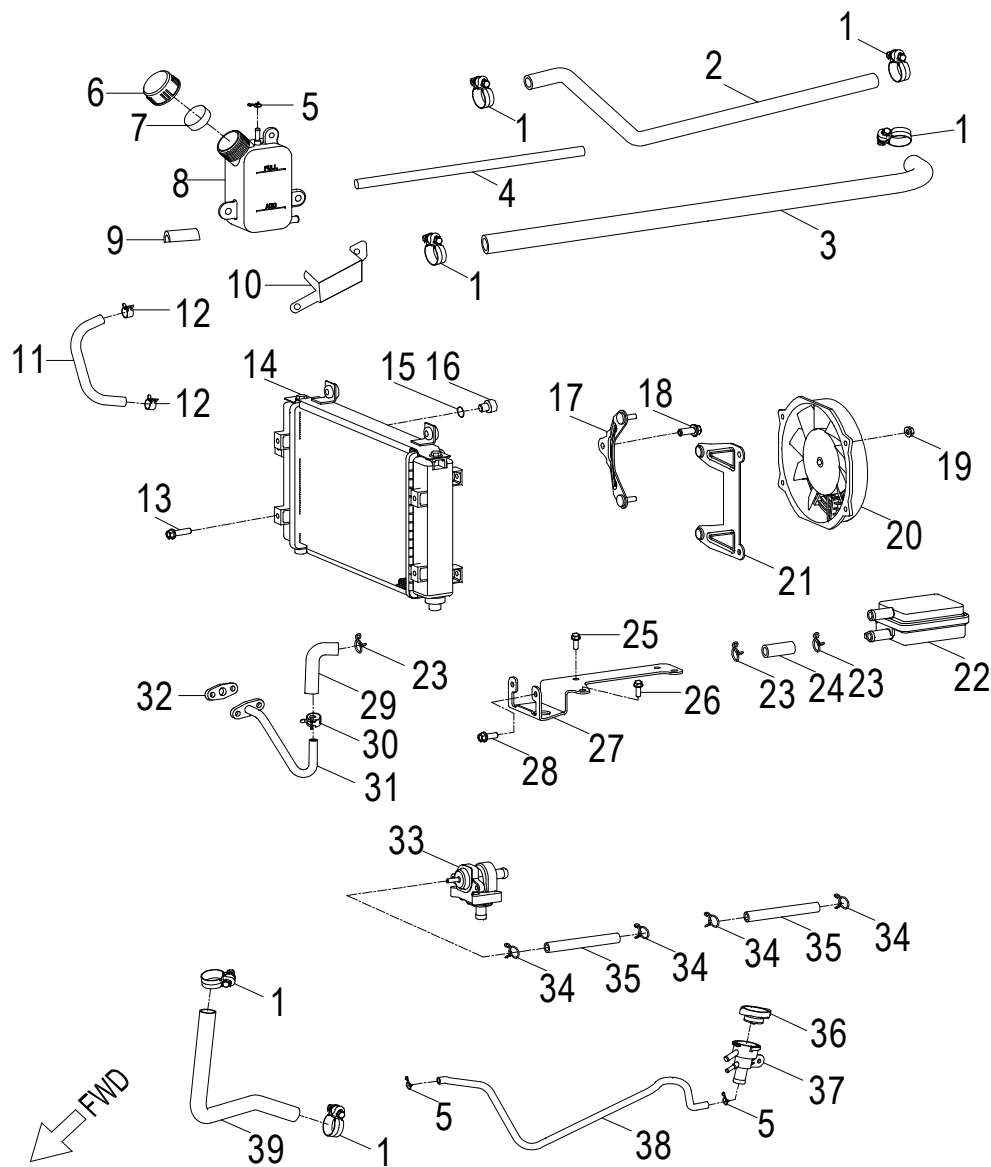
ITEM	DESCRIPTION	P/N	Q"TY
41	Washer	94101-2538010-000	1
42	Shaft, Transmission	2344169S-000	1
43	Washer	94101-2029010-000	2
44	Gear, Over Drive	2344455L-000	1
45	Bearing, Needle	96200-202417	1
46	Ratchet, Over Drive	2344555L-000	1
47	Asm., Shaft, Counter	2342055L-000	1



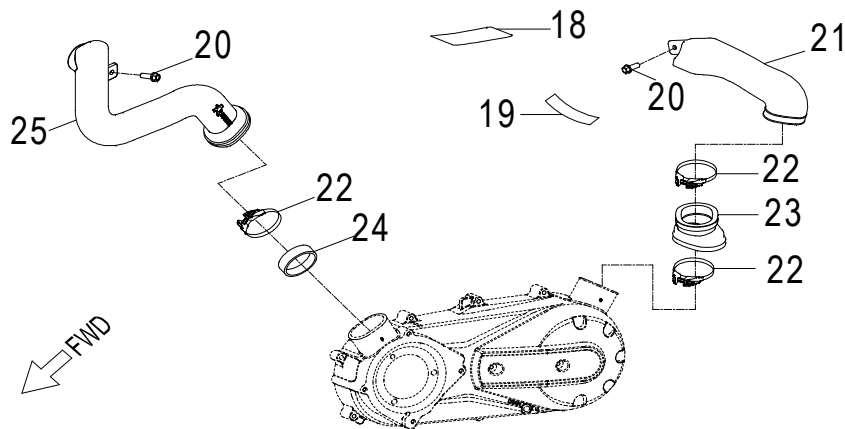
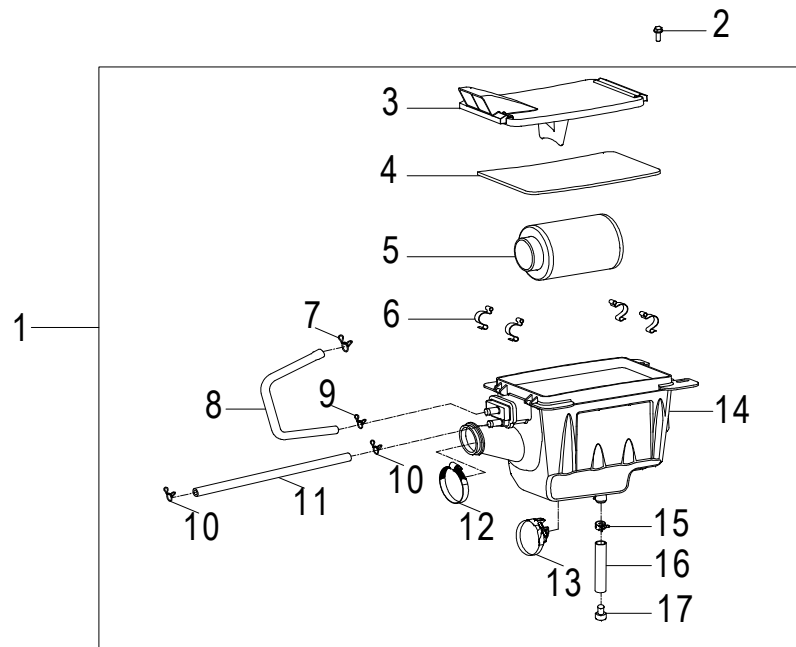
ITEM	DESCRIPTION	P/N	Q"TY
1	Clamp	1922250A-000	2
2	Hose	1950250A-001	1
3	O-Ring	93210-02920	1
4	Body, Water Pump	1921150A-000	1
5	Clip, Cir	94512-2600R	1
6	Bearing, Ball	96100-60000	1
7	Shaft, Water Pump	1923150A-000	1
8	Bearing, Ball	96100-69010	1
9	Seal, Oil	96500-122207	1
10	Seal, Mechanical	1921750A-000	1
11	Impeller, Water Pump	1921550A-000	1
12	Pin, Dowel	94301-08140	2
13	Gasket	1922950A-000	1
14	Flange, Water Pump	1922150A-000	1
15	Washer	94101-0612010-00U	1
16	Bolt	96000-060128-08C	1
17	Bolt	96000-060408-08C	3
18	Asm., Water Pump	1921050A-000	1
19	Bolt	96000-050168-00C	2
20	Flange, Thermosatic	1931550N-000	1
21	Bimetal, Thermosatic	1930050A-000	1
22	O-Ring	93212-01719	1
23	Sensor, Thermosatic	1931950A-000	1
24	Housing, Thermosatic	1931150A-000	1
25	Bolt	96000-060188-08C	1



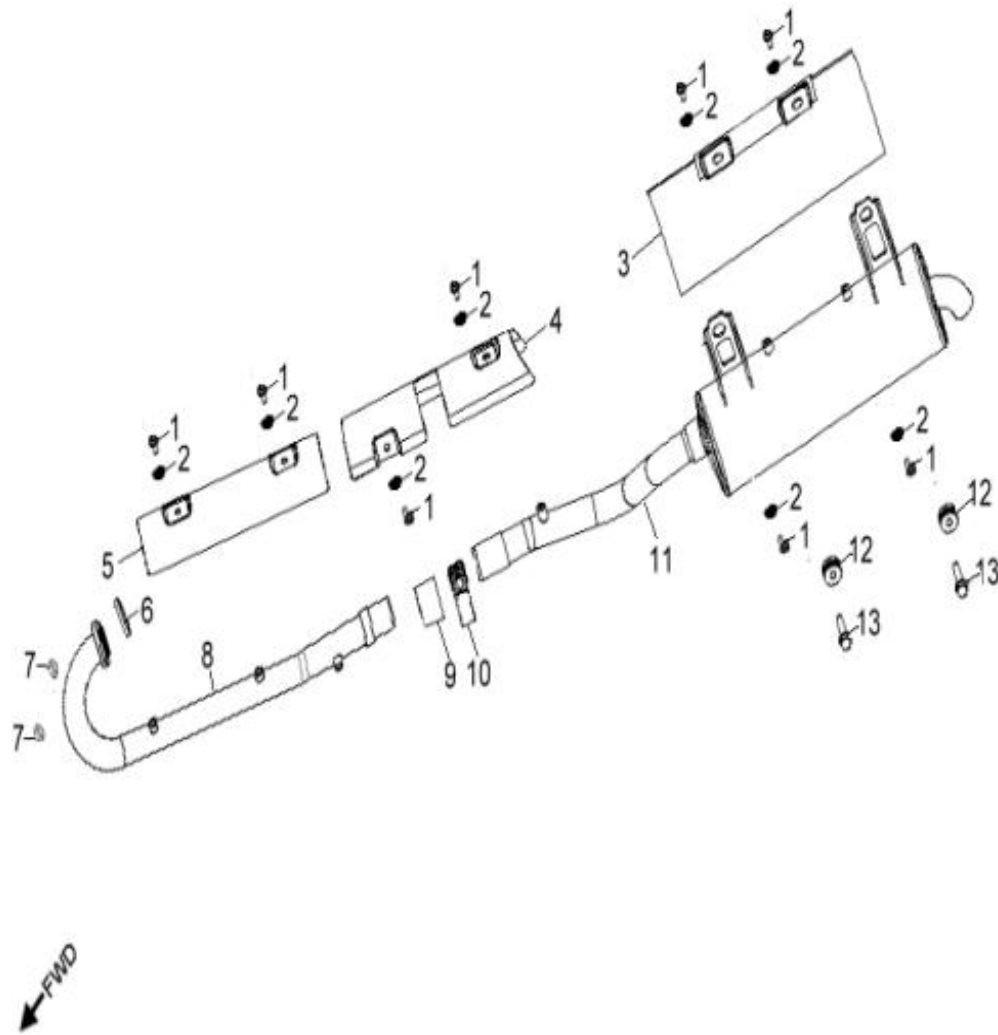
ITEM	DESCRIPTION	P/N	Q"TY
1	Limiting Plate, Throttle	16163201-000	1
2	Cable Fastener	45458205-000	1
3	Asm., Carburetor	1610069S-000	1
4	Spring	1610269S-000	1
5	Asm., Jet Needle	1610469S-000	1
6	Throttle Valve, Diaphragm	1605069S-000	1
7	Cover, Diaphragm	1615569S-000	1
8	Spring	1617269S-000	1
9		1616769S-000	1
10	Screw, Idle	1611469S-000	1
11	Manual Choke Comp	5392369S-000	1
12	Needle, Jet	1615069S-000	1
13	Valve, Needle	1610569S-000	1
14	Jet, Main	1610869S-000	1
15	Jet, Choke	1621469S-000	1
16	Jet, Pilot	1611069S-000	1
17	Float	1612369S-000	1
18	Seal, Float	1610669S-000	1
19	Screw, Air	1611569S-000	1
20	Clamp	94515-07807	1
21	Tube, Oil	94403-04008-430	1



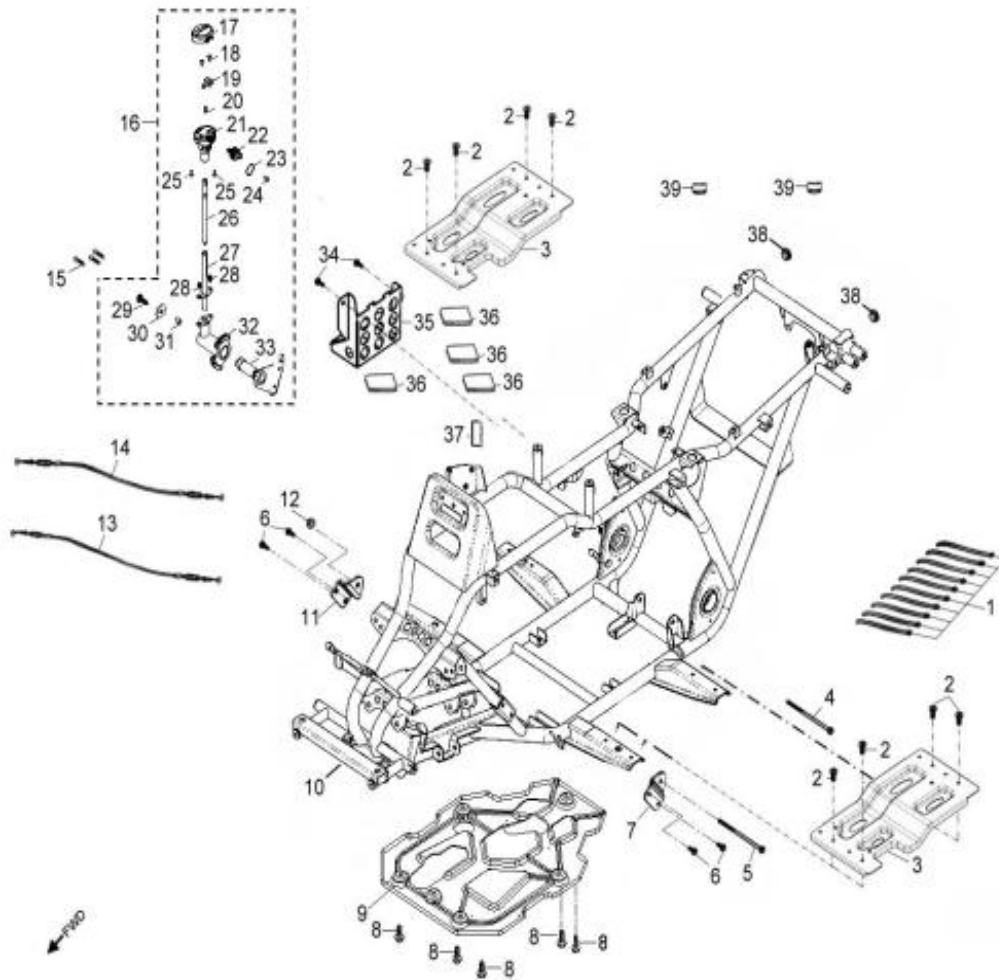
ITEM	DESCRIPTION	P/N	Q"TY
1	Clamp	1922250A-000	6
2	Hose, Outlet, Radiator	19501205-001	1
3	Hose, Inlet, Radiator	19503207-000	1
4	Hose	94408-05007-450	1
5	Clip	94510-06500	3
6	Cap, Expansion Tank	1910250A-000	1
7	Boot, Duct	1726950A-000	1
8	Tank, Expansion	1910150A-000	1
9	Rubber, Fuel Tank	64319131-000	1
10	Bracket, Expansion Tank	19103201-000	1
11	Hose, Inlet, Expansion Tank	19506201-000	1
12	Clamp	94515-12008	2
13	Bolt	96007-060228-00K	2
14	Radiator	1901162F-001	1
15	O-Ring	93210-01224	1
16	Switch, Thermosatic	1932551T-000	1
17	Bracket, Fan, Right	1900662E-000	1
18	Screw	93003-060168-00K	3
19	Nut	94050-06000-00C	4
20	Asm., Fan	1900562E-000	1
21	Bracket, Fan, Left	1900762E-000	1
22	Asm.,Filter, Daul- Intake	18995202-000	1
23	Clip	94510-15000	3
24	Hose, Rubber	96420-01016-052	1
25	Bolt	96000-060168-08C	2
26	Bolt	96000-060128-0KL	2
27	Bracket, Dual- Intake	1899850A-000	1
28	Bolt	96000-060148-10K	4
29	Hose, Rubber	17264203-000	1
30	Clamp	94515-13008	1
31	Tube, Dual- Intake	18640211-000	1
32	Gasket, Hose	1864639E-000	1
33	Valve, Dual-Intake	1899955E-000	1
34	Clip	94510-07400	6
35	Hose	94407-04007-250	2
36	Cap, Water	1911150A-000	1
37	Tube, Water Cap	1911450A-000	1
38	Hose, Bypass, Thermosatic	19505201-000	1
39	Hose, Water Cap, Radiator	19504202-001	1



ITEM	DESCRIPTION	P/N	Q"TY
1	Asm., Cleaner, Air	17200227-002	1
2	Bolt	92005-060168-00K	2
3	Cover, Air Cleaner	17207207-000	1
4	Gasket	3371639A-000	1
5	Filter, Air Cleaner	17205201-001	1
6	Clip	1720839A-000	4
7	Clip	94510-14018	1
8	Tube, Breather, Ventilated	17381222-001	1
9	Clip	94510-12016	1
10	Clip	94510-12012	2
11	Tube, Breather, Ventilated	17381207-000	1
12	Strap	94520-05070	1
13	Strap	89669221-000	1
14	Box, Air Cleaner	17203214-000	1
15	Clamp	94515-15010	1
16	Hose, Drain	94404-01613-090	1
17	Plug, Trap	1737039A-000	1
18	Decal, Insulation	87011210-000	1
19	Decal, Insulation	87011219-000	1
20	Bolt	92003-060168-00K	2
21	Duct, Outlet	17256208-000	1
22	Strap	89669212-000	3
23	Boot, Duct	17269206-000	1
24	Boot, Duct	17269203-000	1
25	Duct, Inlet	1725555E-000	1

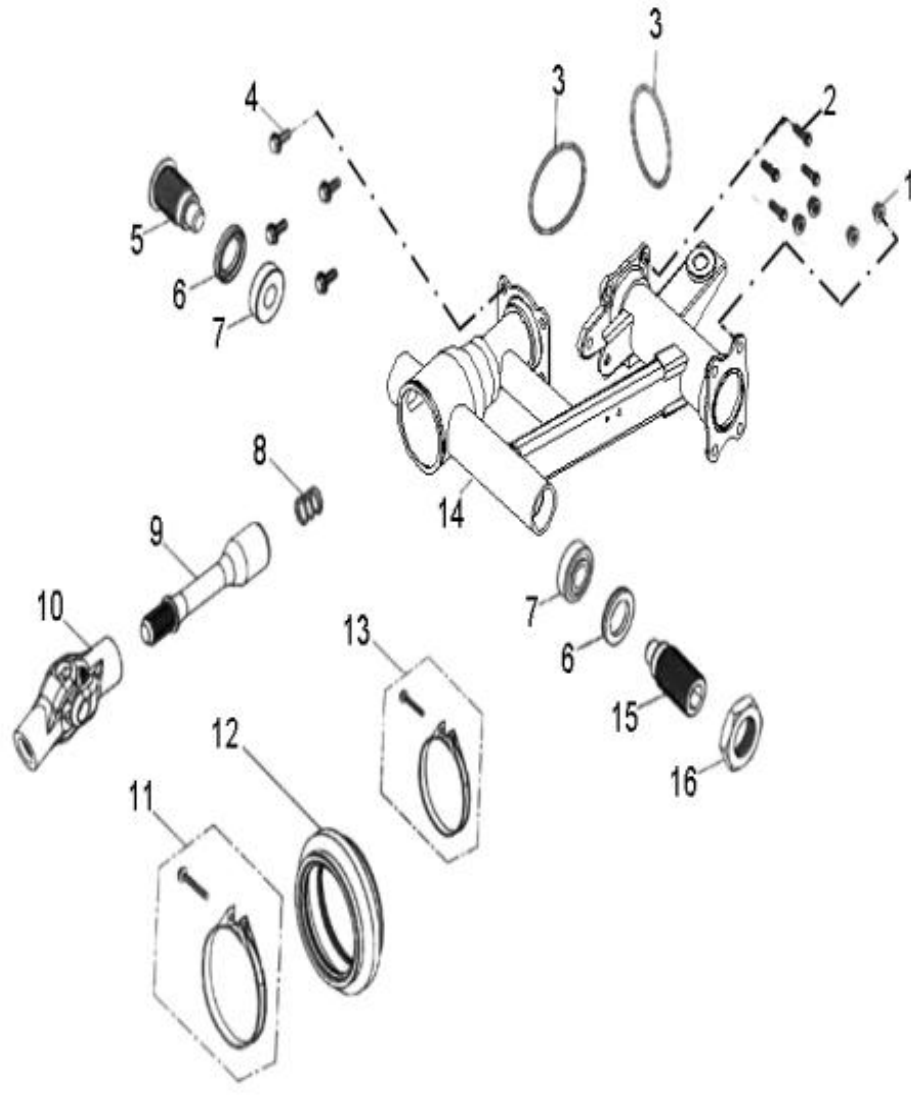


ITEM	DESCRIPTION	P/N	Q"TY
1	Bolt	96000-060128-10K	8
2	Washer, Star	94103-0600000-00C	8
3	Shield, Exhaust	18315215-000	1
4	Shield, Exhaust	18315216-000	1
5	Shield, Exhaust	1831555E-000	1
6	Gasket	18291205-000	1
7	Nut	94050-08000-00C	2
8	Pipe, Exhaust, Front	18299232-000	1
9	Collar	18321201-000	1
10	Clamp-Exhaust	94514-45015	1
11	Silencer	1829855E-000	1
12	Bushing	96400-082614	2
13	Bolt	96000-080258-00K	2

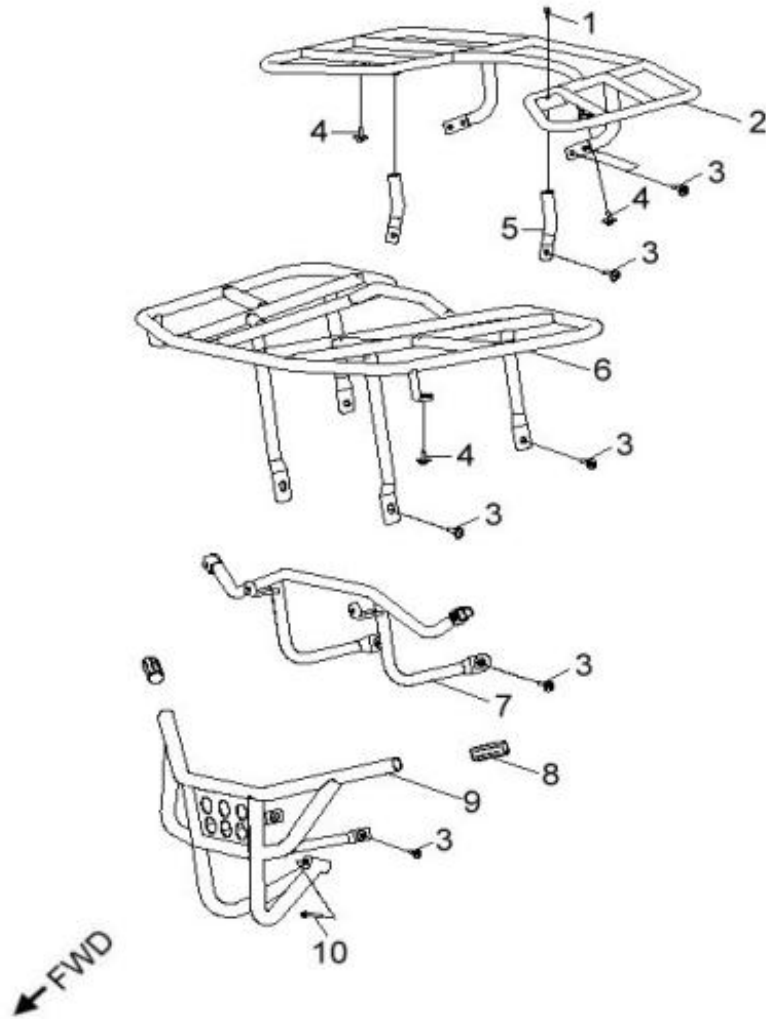


ITEM	DESCRIPTION	P/N	Q"TY
1	Strap	89569131-000	10
2	Bolt	96000-060128-10K	8
3	Bracket, Footwell, RH	5110555E-000	2
4	Bolt	96000-101369-00Z	1
5	Bolt	96000-102008-00B	1
6	Bolt	96000-100189-0GL	4
7	Mounting, Engine, Lh	50902204-000	1
8	Bolt	92005-060168-00K	5
9	Shield, Chassis	50106203-000	1
10	Asm., Frame	50100351-067	1
11	Mounting, Engine, Rh	50908204-000	1
12	Nut	90355-10000-17B	1
13	Cable, Shift	2133555B-000	1
14	Cable, Shift	2133555A-000	1
15	Bolt	96000-060128-10K	3
16	Asm., Shift Lever	2135055E-000	1
17	Cover	21327204-000	1
18	Screw	93903-1040088-00K	2
19	Plate, Shift	2133655E-000	1
20	Spring, Shift	2132050A-000	1
21	Knob, Transmission Lever	21328203-000	1
22	Rubber, shift lever	2133455E-000	1
23	Clip, Spring	94661-21012	1
24	Screw	93100-050108-00K	1
25	Screw	93903-1030108-00K	2
26	Linkage, Shift Lever	2133850A-000	1
27	Sleeve, Shift Lever	2134555E-000	1
28	Bolt	96000-050088-00K	2
29	Bolt	96000-080128-00K	1
30	Washer	94101-1030020-00K	1
31	Clip, Cir	94511-2400S	1
32	Gear Selector	2131955E-000	1
33	Mounting, Shift Lever	2134355E-000	1
34	Bolt	96000-080168-0KL	2
35	Boot, Shift Arm	3150355E-000	1
36	Foam, battery	81113203-000	4
37	Trim, Rubber	50811202-000	1
38	Cap, Rubber	19611202-000	2
39	Rubber, Seat	77220131-000	2

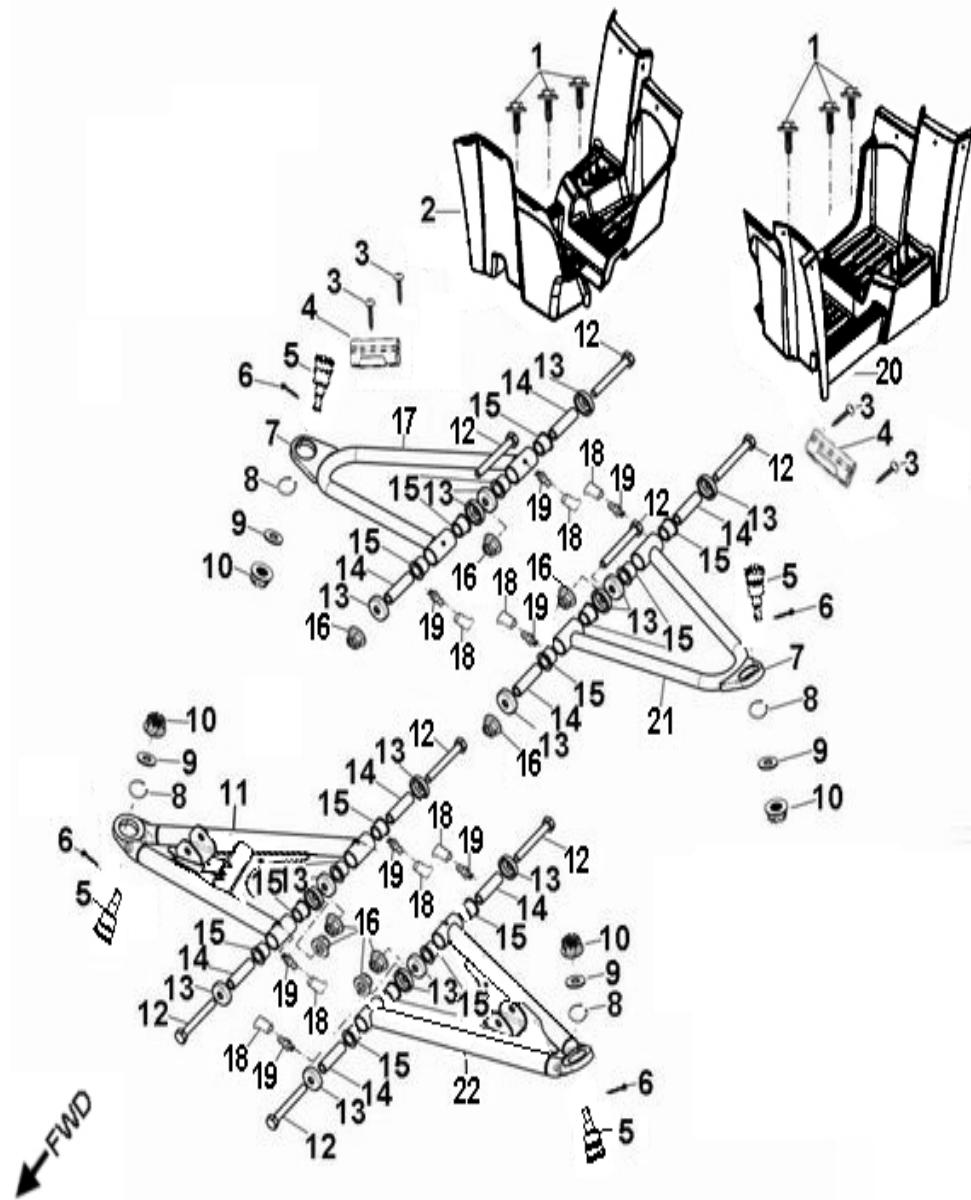
D-18:REAR SWIM ARM ASSEMBLY



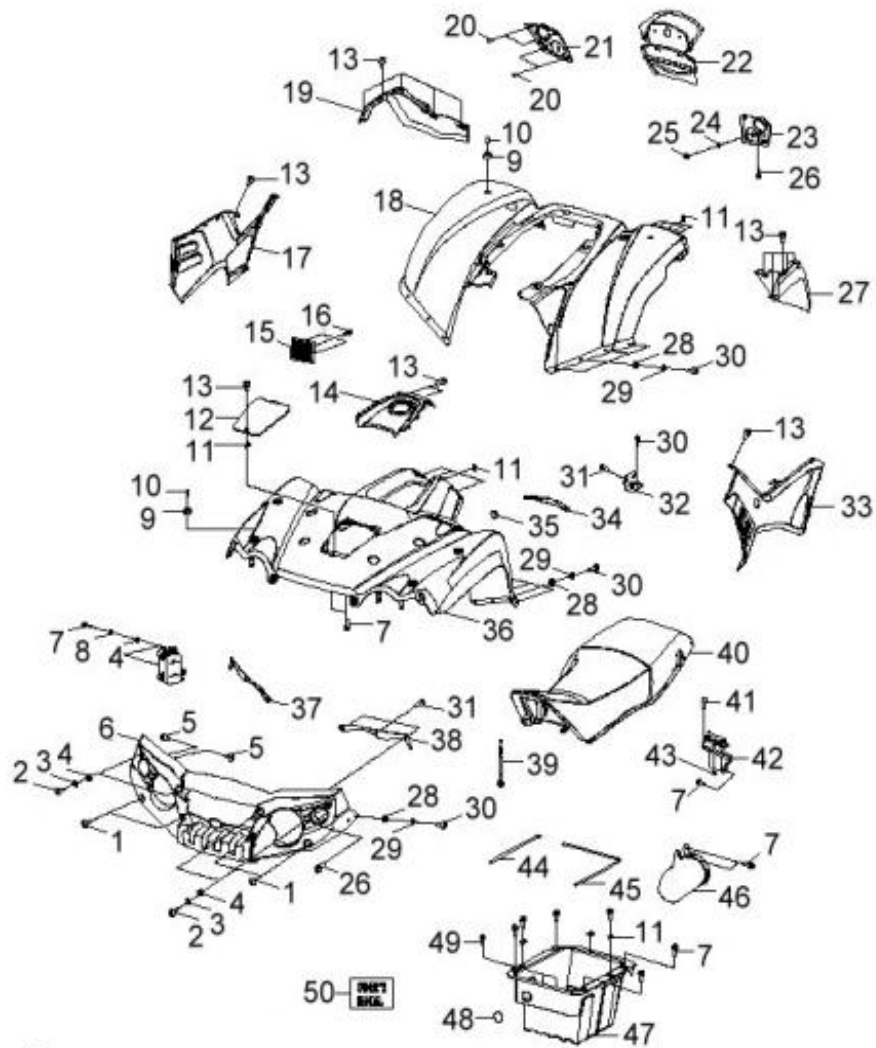
ITEM	DESCRIPTION	P/N	Q"TY
1	Nut	90355-10000-14C	4
2	Bolt	96000-100308-OBL	4
3	O-Ring	93210-07531	2
4	Bolt	96000-100258-OBL	4
5	Bolt	91000-300608-00C	1
6	Seal, Oil	96500-264006A7271	2
7	Bearing	96150-17401-30000	2
8	Spring	4054139A-000	1
9	Shaft, Drive	5244055E-000	1
10	Joint, Universal	5245039A-000	1
11	Strap	89669211-000	1
12	Boot	2130750A-000	1
13	Strap	8966939A-001	1
14	Arm, Swing	52410241-067	1
15	Bolt	91000-300698-00C	1
16	Nut	94001-30000-46C	1



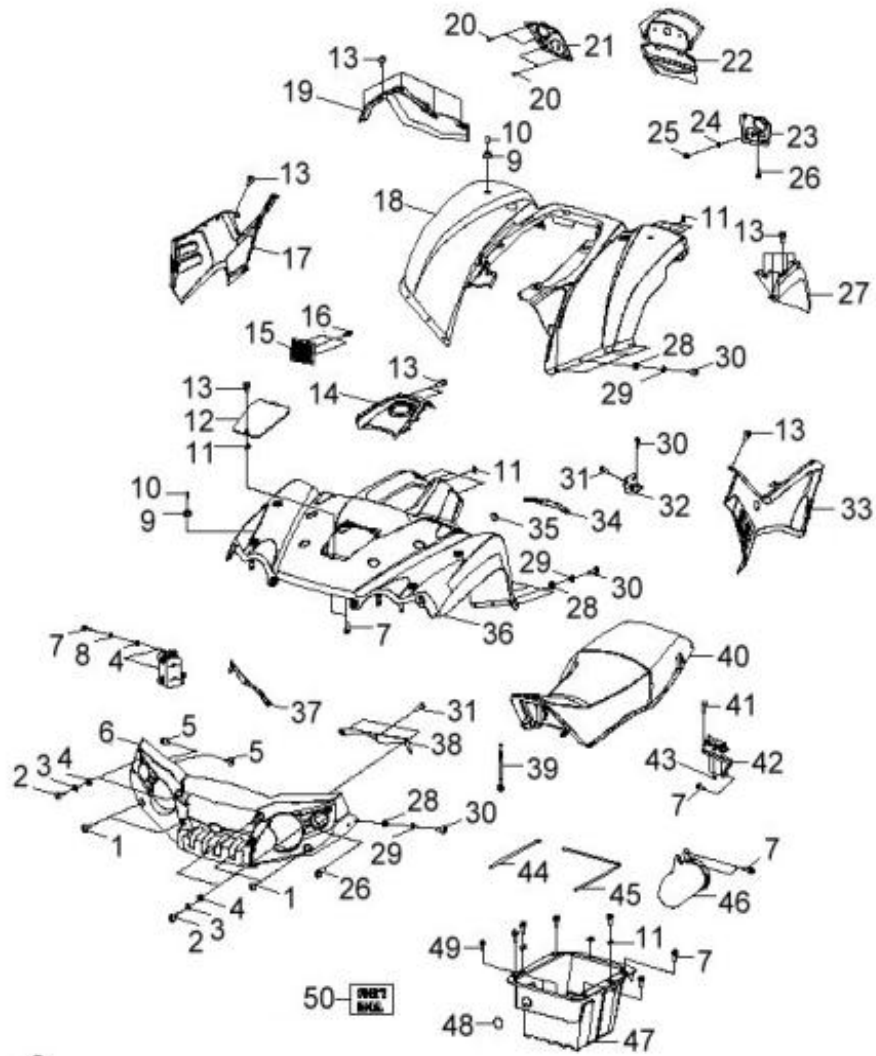
ITEM	DESCRIPTION	P/N	Q"TY
1	Bolt	96000-080148-OKL	2
2	Rear Rack	8111155E-067	1
3	Bolt	92001-080208-OKL	14
4	Bolt	96007-060228-00K	4
5	Bracket, Rear	81122203-067	2
6	Front Rack	50495208-067	1
7	Bracket, Bumper	50450242-067	1
8	Boot	50423205-000	2
9	Bumper	50455220-067	1
10	Bolt	96000-100608-OKL	1



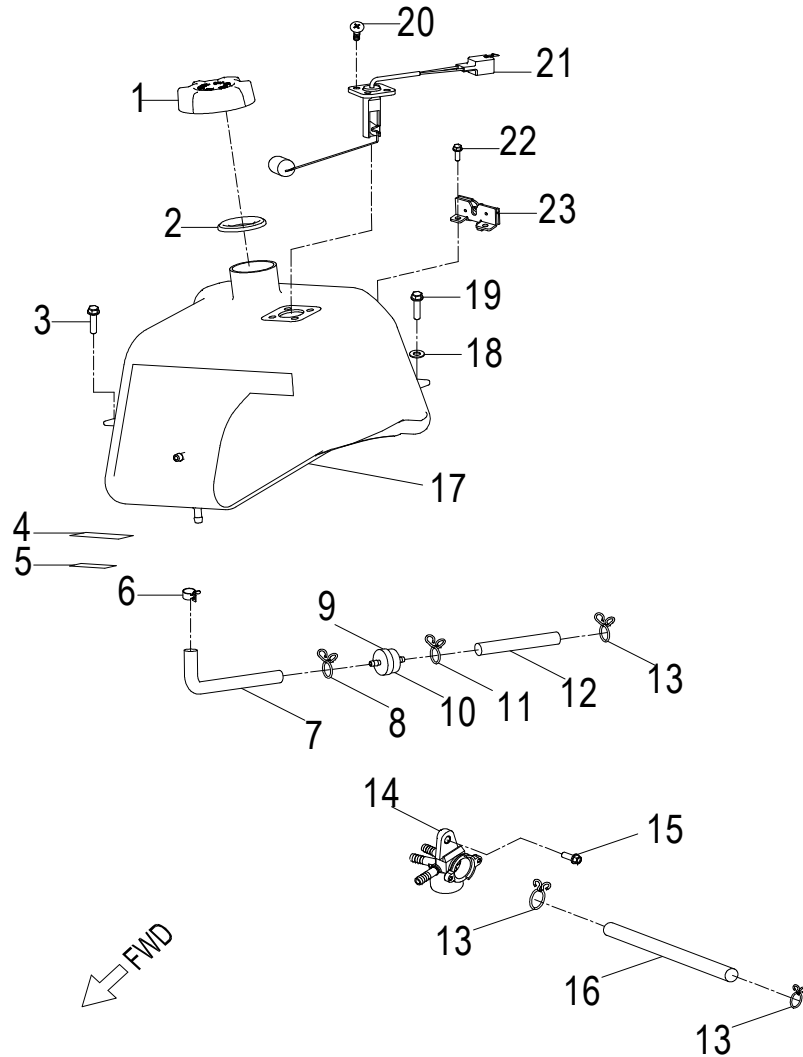
ITEM	DESCRIPTION	P/N	Q"TY
1	Bolt	96007-060168-00K	6
2	Footwell, RH	6430055E-000	1
3	Screw	93903-1050128-00K	4
4	Retainer, Brake Line, Front	53005202-000	2
5	Ball Joint	52451204-000	4
6	Pin, Cotter	94201-23250	4
7	Bracket, Ball Joint	5313639A-000	2
8	Clip, Cir	94511-3113S	4
9	Washer	94101-1225020-00C	4
10	Nut, Lock	90351-12000-00C	4
11	A-Arm, Lower, Rh	53031203-067	1
12	Bolt	96000-100758-0KL	8
13	Cap, dustproof	52426156-000	16
14	Spacer	5314039A-000	8
15	Bushing	53135203-000	16
16	Nut	94050-10000-00C	8
17	A-Arm, Upper, Rh	5303255E-067	1
18	Cap, Valve, Grease	51301131-000	8
19	Valve, Grease	51300131-000	8
20	Footwell, LH	6431055E-000	1
21	A-Arm, Upper, Lh	5313255E-067	1
22	A-Arm, Lower, LH	53131203-067	1



ITEM	DESCRIPTION	P/N	Q"TY
1	Bolt	93800-060128-00K	4
2	Bolt	93800-060208-00K	4
3	Washer	94101-0618010-00K	4
4	Nut	90350-06000-00K	6
5	Bolt	93100-050128-00K	4
6	Cover, Front Bumper	50461218-000	1
7	Bolt	96007-060168-00K	16
8	Washer	94101-0613010-00K	2
9	Foam	17502204-000	4
10	Spacer	51311203-000	4
11	U-Nut	90344-06000-00C	20
12	Front Fender Cover(Small)	61151201-116	1
		61151201-507	
13	Bolt	93800-060168-00K	15
14	Cover, Fuel Tank	17555208-000	1
15	Net, Rubber	61103201-000	2
16	Rivet, Plastic	61120153-000	6
17	Panel, Side, RH	8350055E-000	1
18	Cab, Rear	6100055E-116	1
		6100055E-507	
19	Fender, Rear, RH	62810203-000	1
20	Screw	93903-2040128-00K	8
21	Cover, Rear Signal, RH	3380155E-000	1
22	License Plate	3370855E-000	1
23	Cover, Rear Signal, LH	3385155E-000	1
24	Washer	94101-0619010-00C	2
25	Nut	94050-06000-00C	2
26	Bolt	96000-060108-10K	4
27	Fender, Rear, LH	62820203-000	1
28	Nut	90350-05000-00K	18
29	Washer	94101-0514010-00K	18
30	Bolt	93100-050168-00K	20
31	Screw	93903-1050128-00K	8
32	Bracket, lock, hood	83604201-000	1
33	Panel, Side, LH	83600215-000	1
34	Bracket, striker, key	77235201-000	1
35	Rubber Cap	35157202-000	1
36	Cab, Front	61100216-116	1
		61100216-507	
37	Guard, Mud, RH	50468201-000	1

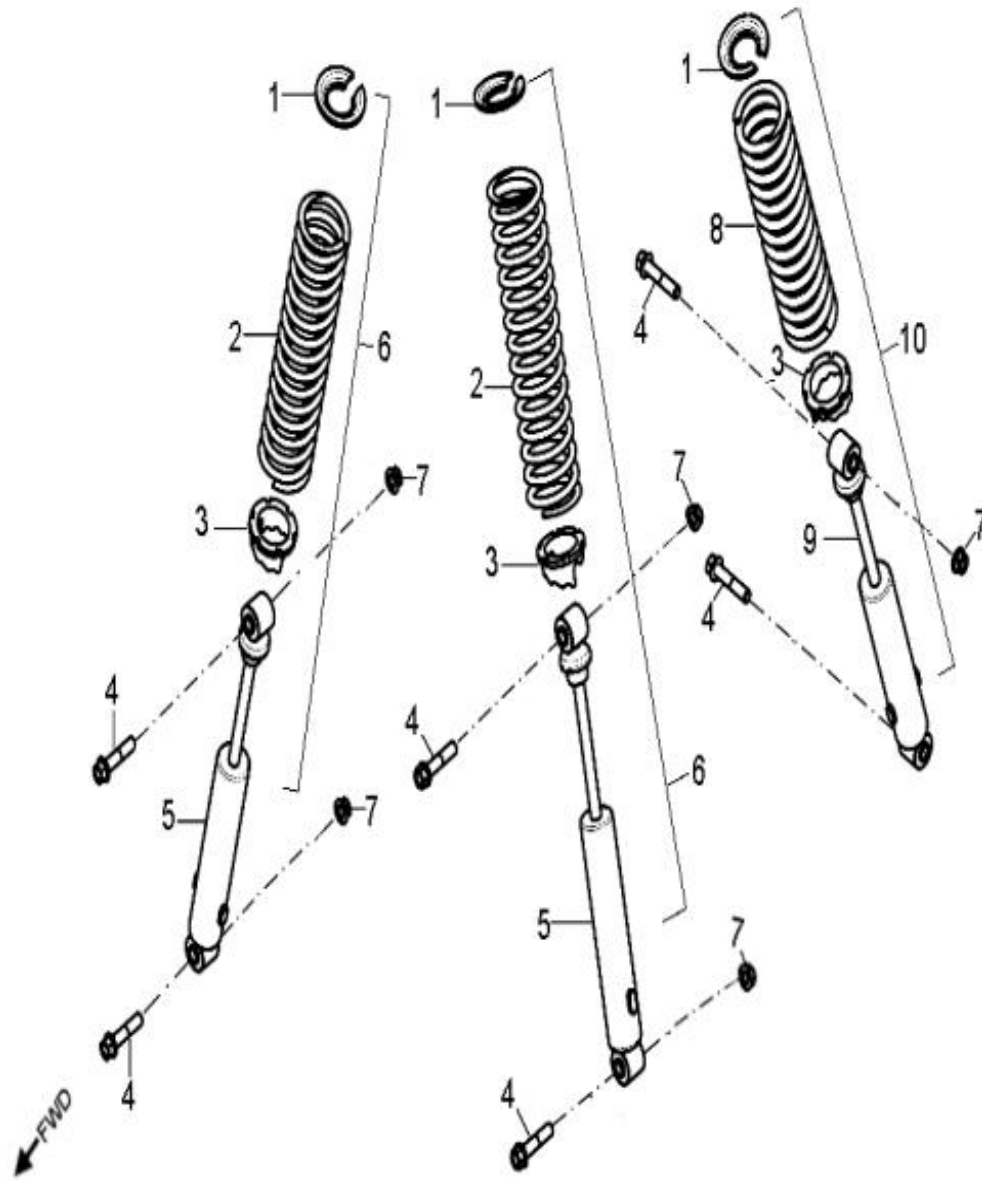


ITEM	DESCRIPTION	P/N	Q"TY
38	Guard, Mud, LH	50467201-000	1
39	Cable, Lock	77232202-000	1
40	Seat	77200266-000	1
41	Bolt	91000-060208-00K	1
42	Hinge, Seat	77223201-000	1
43	Nut	90355-06000-10K	3
44	Trim, Rubber	94430-00000-405	1
45	Trim, Rubber	94430-00000-815	1
46	Asm,Toolbox	8912355E-000	1
47	Luggage Box	7722655E-000	1
48	Boot	50423203-000	1
49	Plug, Rubbe, Hood	50424203-000	2
50	Manual, Owner's	88510220-002	1

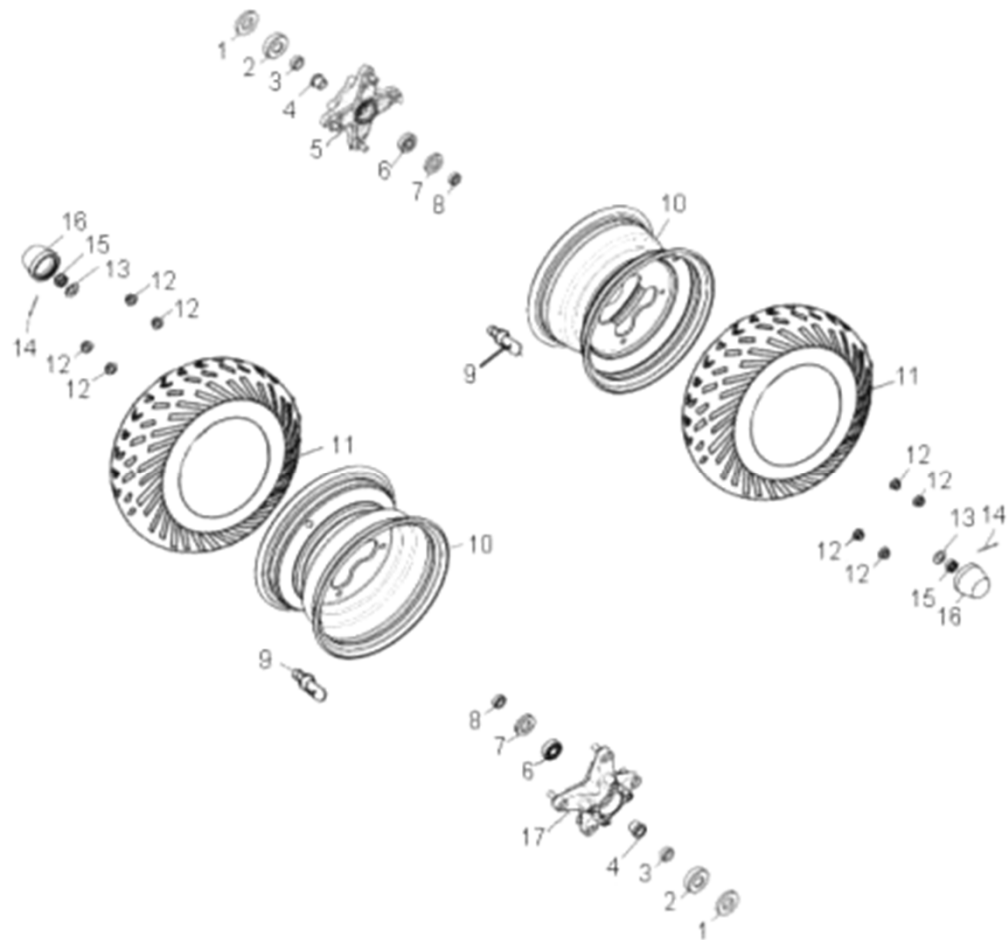


ITEM	DESCRIPTION	P/N	Q"TY
1	Asm., Cap, Fuel Tank	17620202-000	1
2	Collar, Fuel Tank	17507201-000	1
3	Bolt	92005-060208-00K	1
4	Decal, Insulation	87011211-000	1
5	Decal, Insulation	87011212-000	1
6	Clamp	94515-10008	1
7	Fuel hose	94412-05009-105	1
8	Clip	94510-08008	1
9	Clamp	1795955E-000	1
10	Filter, Fuel	17952111-000	1
11	Clip	94510-09012	1
12	Asm., Hose, Fuel	94410-05009-012	1
13	Clip	94510-08012	3
14	Valve, Fuel	17950111-000	1
15	Bolt	96000-060168-10K	1
16	Asm., Hose, Fuel	94440-05009-024	1
17	Asm., Tank, Fuel	1750055E-001	1
18	Washer	94101-0822020-00C	2
19	Bolt	96000-080288-00K	2
20	Bolt	93100-050168-00K	4
21	Sensor, Fuel	37800203-000	1
22	Bolt	96000-060148-10K	2
23	Lock striker	77231180-000	1

ITEM	DESCRIPTION	P/N	Q"TY
1	Retainer, Spring	52406153-000	3
2	Spring, Suspension, Front	5110155E-000	2
3	Collar, Adjustment	52404151-000	3
4	Bolt	96000-100508-OKL	6
5	Shock,Front	5110255E-000	2
6	Asm., Suspension, Front	5110055E-293	2
7	Nut	94050-10000-00C	5
8	Spring, Suspension, Rear	5240155E-000	1
9	Shock, Rear	5240255E-000	1
10	Asm., Suspension, Rear	5240055E-293	1

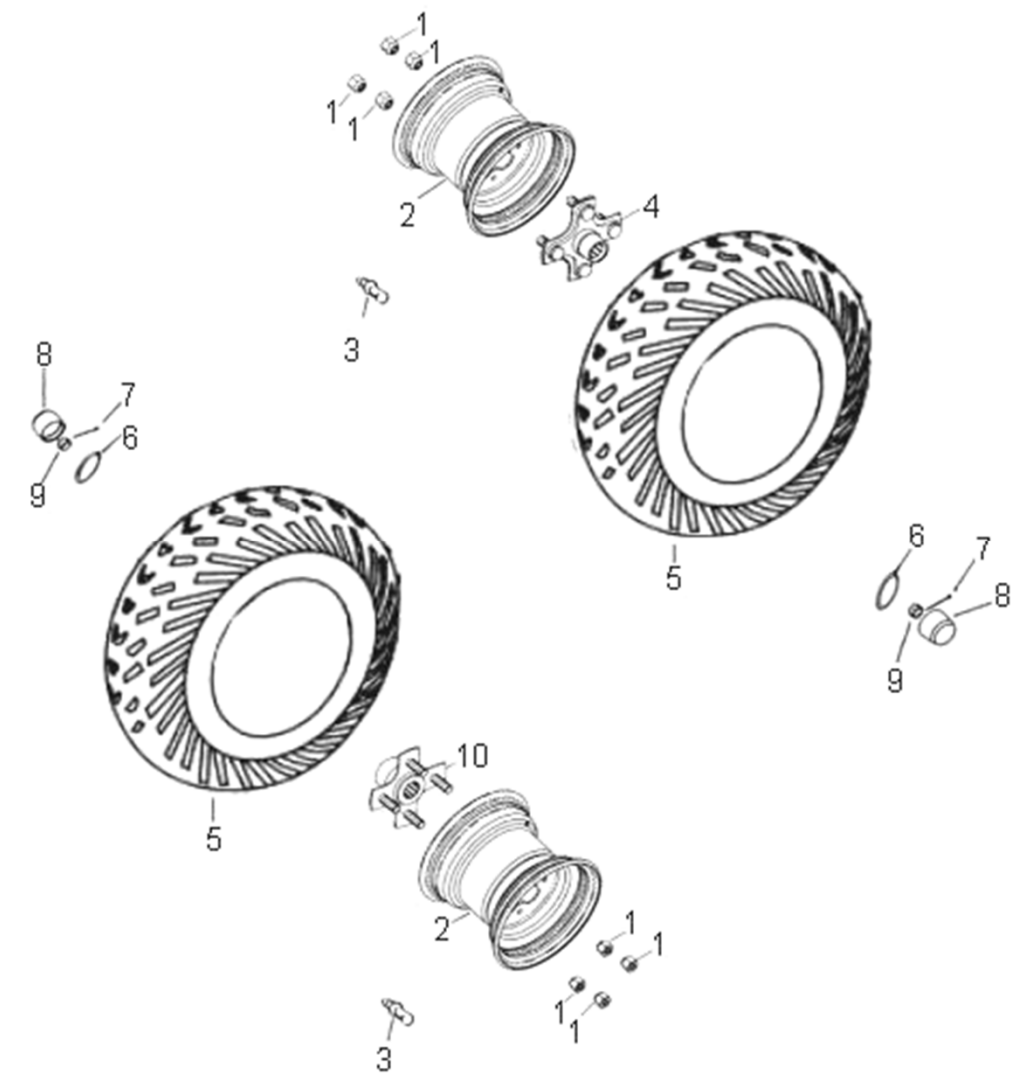


Item	Description	Part number	Q.ty
1	Seal, Oil	96500-25470700000	2
2	Bearing, Ball	96100-62040-Z0000	2
3	Spacer	4431139A-000	2
4	Spacer	4431539A-000	2
5	Hub, Wheel, Front	42010204-000	1
6	Bearing, Ball	0490005-000	2
7	Seal, Oil	96500-223806A7271	2
8	Spacer	4431239A-000	2
9	Valve, Rim	42616131-000	2
10	Rim, Front	4270155E-067	2
11	Tire	42711228-000	2
12	Nut	90355-10000-17B	8
13	Washer	94121-1426016-000	2
14	Pin, Cotter	94201-32320	2
15	Shaft, Prob	90353-14015-00C	2
16	Cap, Hub	4273039A-000	2
17	Hub, Wheel, Front	4201039A-000	1

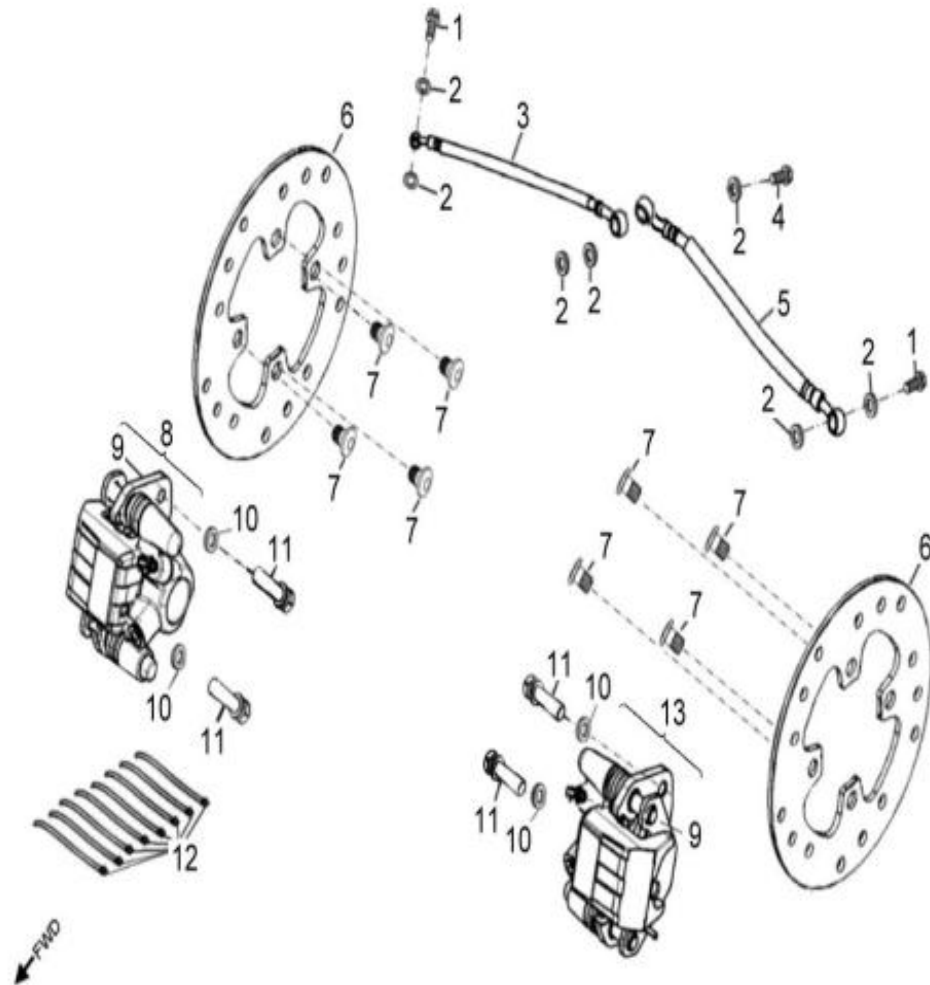


← FWD

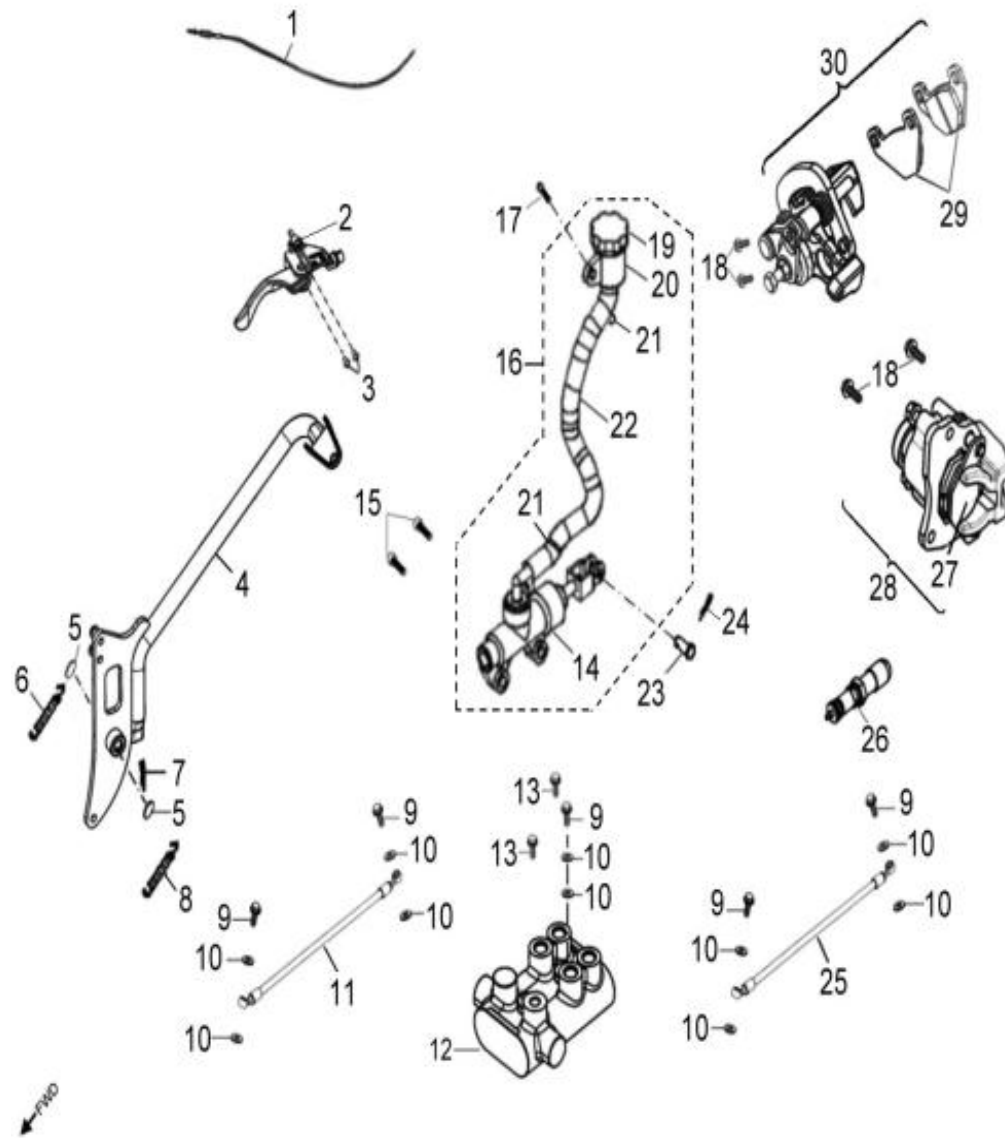
Item	Description	Part number	Q.ty
1	Nut	90355-10000-17B	8
2	Rim, Rear	4280155E-067	2
3	Valve, Rim	42616131-000	2
4	Hub, Wheel, Rh	42020204-000	1
5	Tire	42811228-000	2
6	Washer	94121-1835200-000	2
7	Pin, Cotter	94201-32320	2
8	Cap, Hub	4273039A-000	2
9	Shaft, Prob	90353-18000-00C	2
10	Hub, Wheel, Lh	42030204-000	1



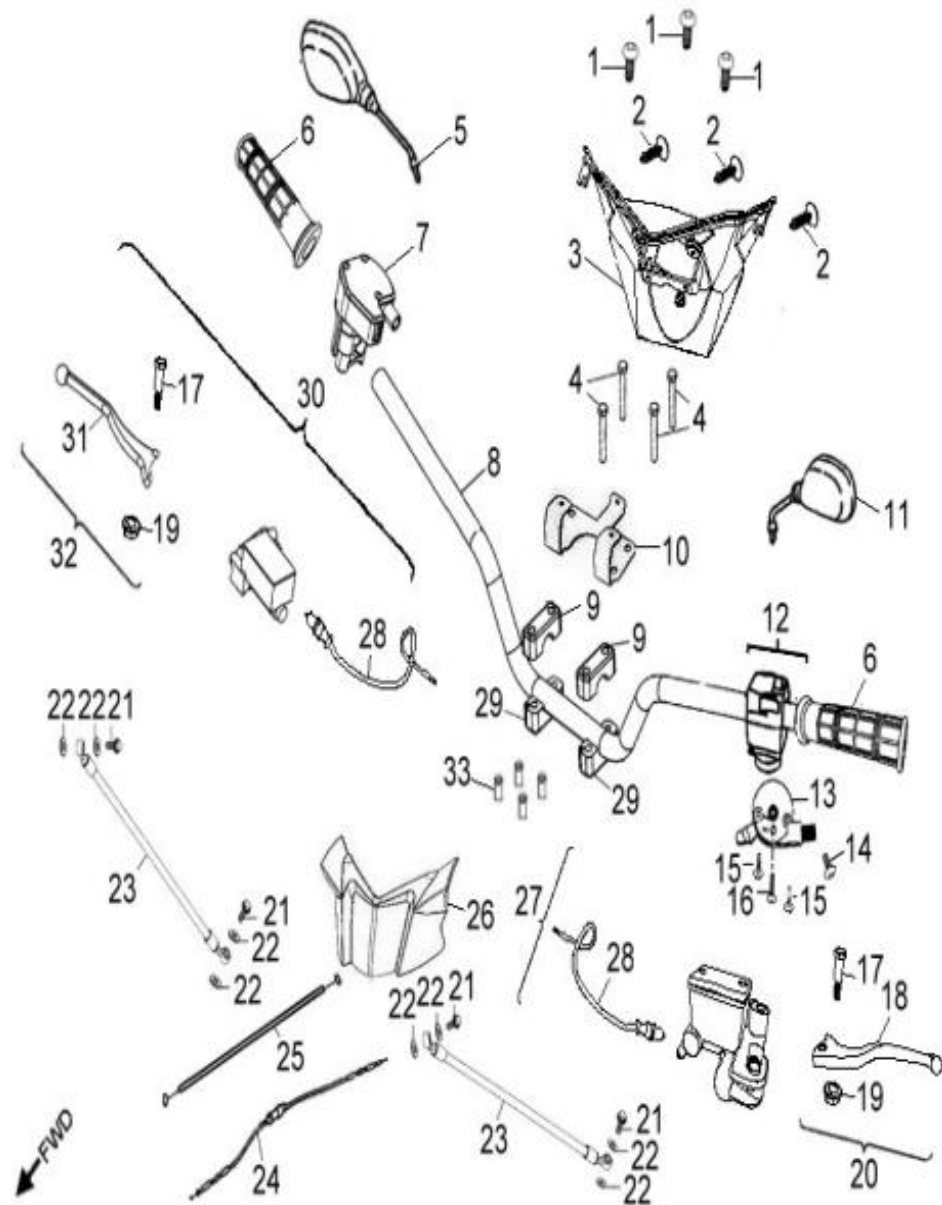
← FWD



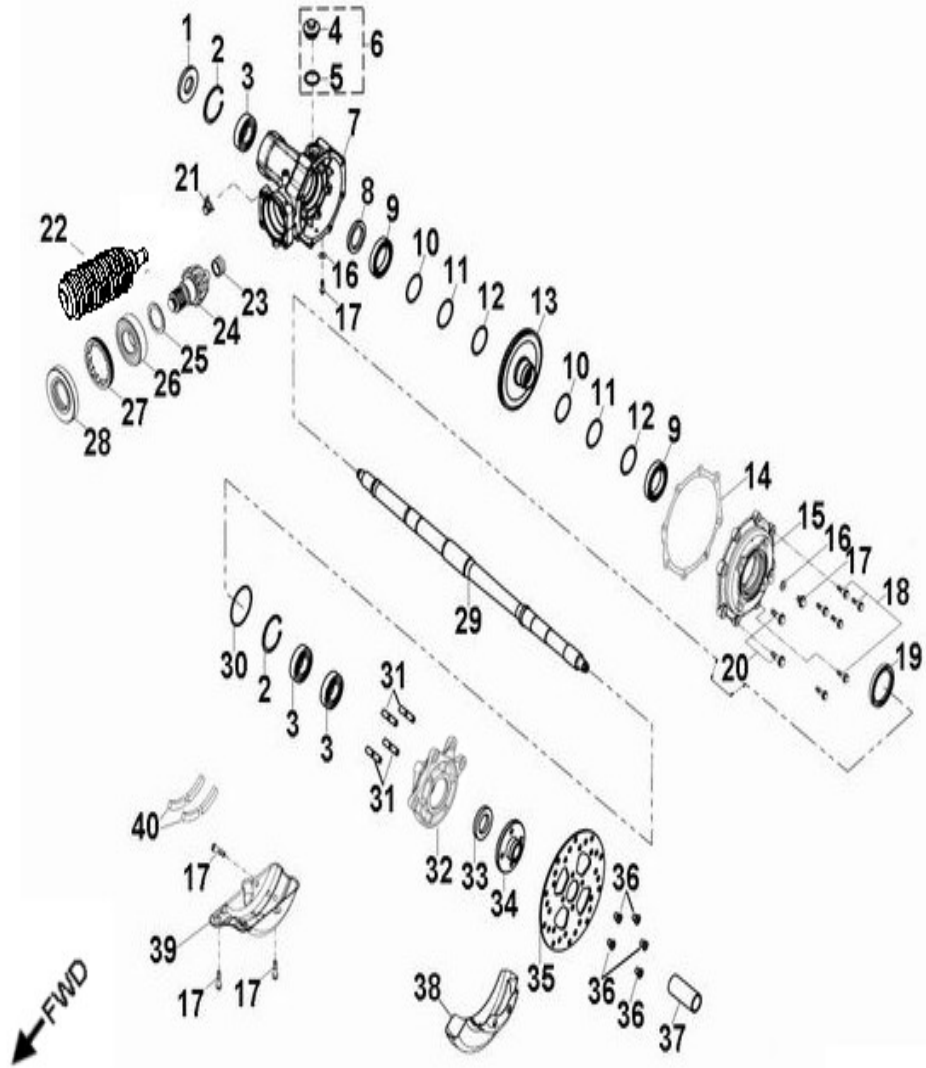
ITEM	DESCRIPTION	P/N	Q"TY
1	Bolt, Banjo	45456111-000	2
2	Washer	94101-1015012-U0B	7
3	Hose, Front Brake, Lower	45449212-000	1
4	Bolt, Banjo	45456202-000	1
5	Hose, Front Brake, Lower	45449211-000	1
6	Plate, Front Brake, LH	4501039A-000	2
7	Bolt	45016131-00K	8
8	Asm., Caliper, RH	4500239A-000	1
9	Pads, Caliper, Front	43121201-000	2
10	Washer	94101-0816020-00C	4
11	Screw	96002-080308-00K	4
12	Strap	89569131-000	9
13	Asm., Caliper, LH	4500139A-000	1



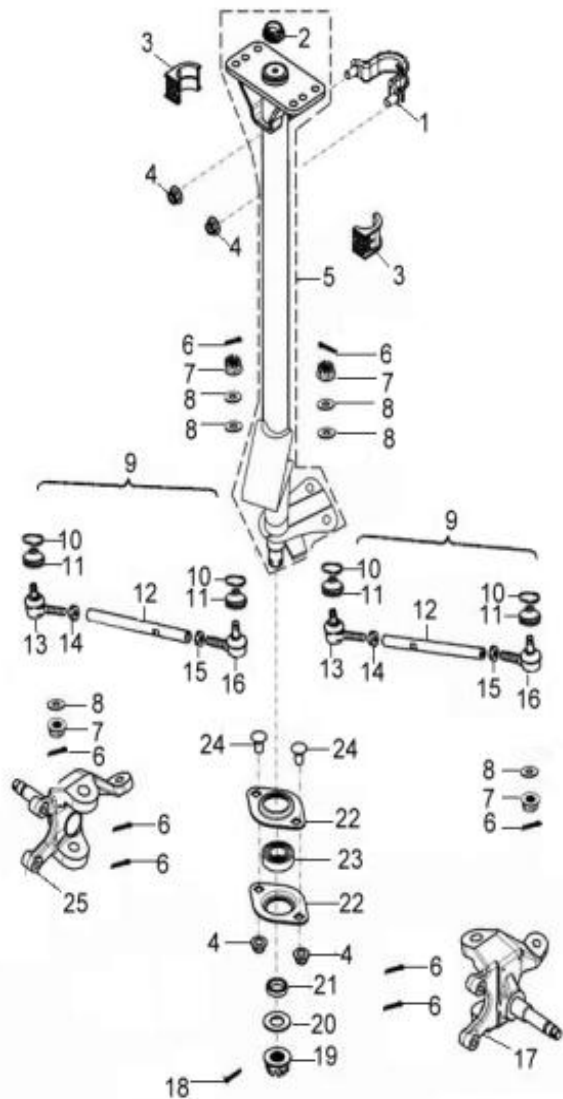
ITEM	DESCRIPTION	P/N	Q"TY
1	Cable, Parking Brake	38706213-001	1
2	Lever, Parking Brake	3871055E-000	1
3	Bolt	91000-060208-00K	2
4	Pedal, Brake	4345655E-000	1
5	O-Ring	93210-01115	2
6	Spring, Brake	50507002-000	1
7	Pin, Cotter	94201-25190	1
8	Spring, Switch	43422202-000	1
9	Bolt, Banjo	45456111-000	5
10	Washer	94101-1015012-UOB	10
11	Hose, Front Brake, Lower	45449209-001	1
12	Brake Shunt	45470201-000	1
13	Bolt	91000-080408-00C	2
14	Master Cylinder	4350155E-000	1
15	Bolt	92001-080258-00K	2
16	Asm., Master Cylinder	4350055E-000	1
17	Bolt	96000-060128-OKL	1
18	Bolt	96000-100208-OKL	4
19	Cap, Oil Tank	43016201-000	1
20	Valve, Fuel	17950201-000	1
21	Clamp	94515-12008	2
22	Hose, Brake	45447210-000	1
23	Pin	94302-07018	1
24	Pin, Cotter	94201-16190	1
25	Hose, Front Brake, Lower	45449210-001	1
26	Switch, Brake	34916201-000	1
27	Pads, Brake	45120182-000	1
28	Asm., Caliper, Rear	4500055E-000	1
29	Pads, Parking Brake	43201201-000	1
30	Asm., Parking Brake, LH	43205202-001	1



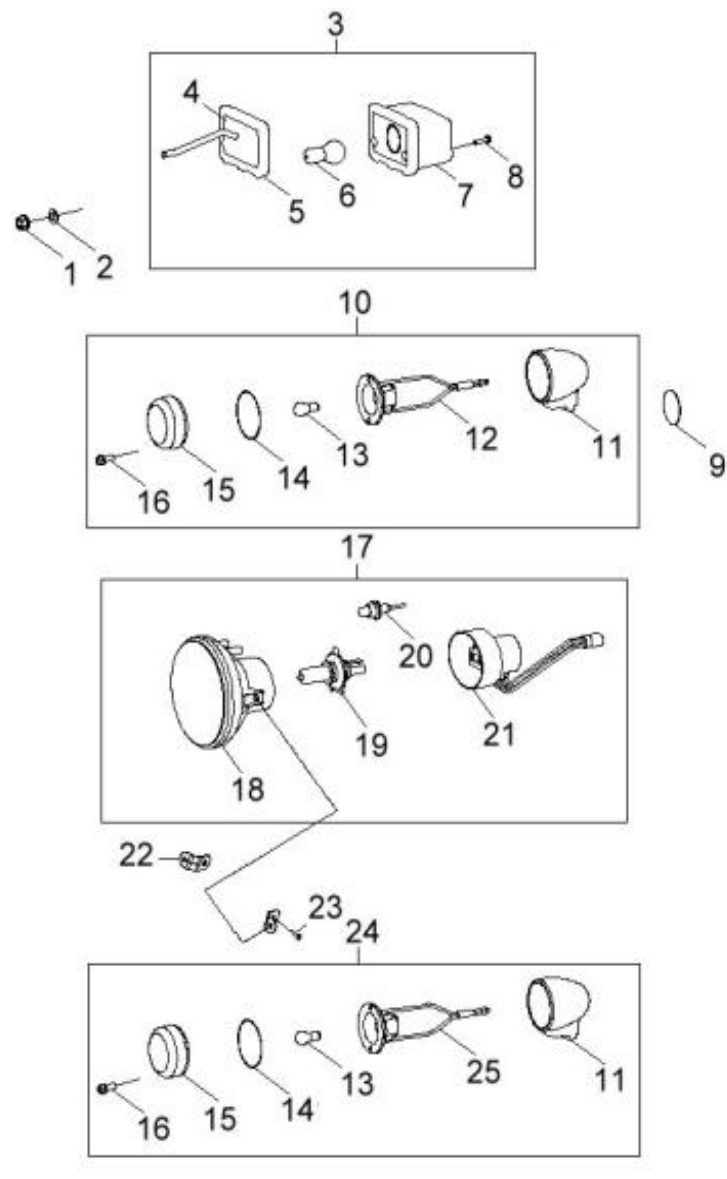
ITEM	DESCRIPTION	P/N	Q"TY
1	Screw	93100-050208-00K	3
2	Screw	93903-1040128-00K	3
3	Pod, Handlebar	64211226-000	1
4	Bolt	96000-080768-12B	4
5	Mirror, RH	88110204-000	1
6	Grip, Handlebar	53167201-000	2
7	Control, Throttle	5390055E-000	1
8	Handlebar	5310055E-067	1
9	Clamp, Upper	5321039A-000	2
10	Bracket, Pod	53310218-000	1
11	Mirror, LH	88120201-001	1
12	Asm., Switch, LH	35151227-001	1
13	Asm., Manual Choke	35160201-000	1
14	Bolt	93500-030068-00C	1
15	Screw	93100-030048-00B	2
16	Bolt	93500-060088-00K	1
17	Bolt	89220201-000	2
18	Lever, Brake, RH	5317539A-000	1
19	Nut	94073-06006-00K	2
20	Asm., Lever, LH	53163205-000	1
21	Bolt, Banjo	45456111-000	4
22	Washer	94101-1015012-U0B	8
23	Hose, Front Brake, Upper	45448208-000	2
24	Cable, Throttle	53910223-000	1
25	Choke, Cable, Manual	53922213-000	1
26	Cover, Handlebar, Lower	64212204-116 64212204-507	1
27	Asm., Lever LH	5317155E-000	1
28	Asm., Sensor, Taillight, LH	35340131-00K	2
29	Clamp, Lower	5320039A-000	2
30	Asm., Lever, RH	53172206-000	1
31	Lever, Brake, RH	5317539A-000	1
32	Asm., Lever, RH	53164204-000	1



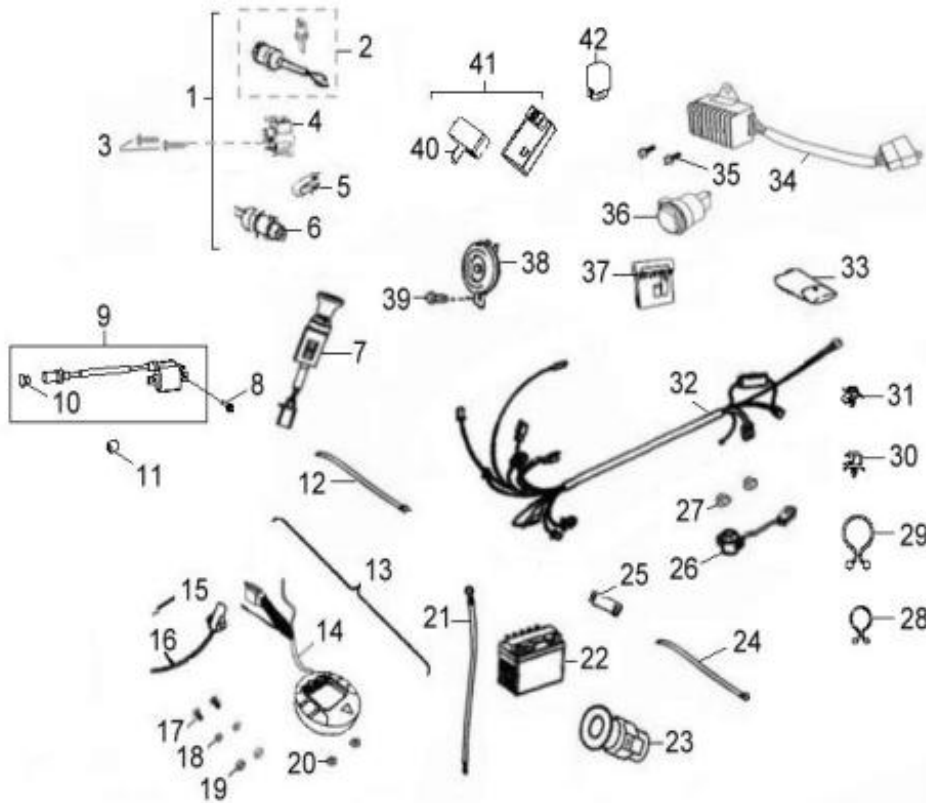
ITEM	DESCRIPTION	P/N	Q"TY
1	Seal, Oil	96500-306207A7271	1
2	Clip, Cir	94512-6200R	2
3	Bearing, Ball	96100-6206-LLUC3/ZG	3
4	Plug, Drain, Oil	11334119-000	1
5	O-Ring	93210-03132	1
6	Asm., Cap	1542539A-000	1
7	Gearcase	4210039B-001	1
8	Seal, Oil	96500-415607A7271	1
9	Bearing, Ball	96100-69090-00000	2
10	Shim	42401201-000	2
11	Shim	42401202-000	2
12	Shim	42401203-000	2
13	Gear, Bevel	42320201-000	1
14	Gasket, Cover	4229139A-002	1
15	Cover, Gearcase	4220055E-000	1
16	Washer	94101-0816020-00L	2
17	Bolt	96000-080108-00K	5
18	Bolt	96000-080288-00B	6
19	Seal, Oil	96500-415106A2650	1
20	Bolt	96000-100358-00B	2
21	Clamp	94515-11007	1
22	Bellows	16600201-000	1
23	Bearing, Needle	96200-142213	1
24	Gear, Pinion	42310201-000	1
25	Shim	4241039A-000	1
26	Bearing, Ball	96100-62060-00000	1
27	Nut	90204-65000-000	1
28	Seal, Oil	96500-347210A7271	1
29	Axle	4200050A-000	1
30	O-Ring	93210-06725	1
31	Stud	91001-100488-00B	4
32	Housing, Rear axle	4280555E-000	1
33	Seal, Oil	96500-405707A7271	1
34	Hub, Disc	4349055E-000	1
35	Disc, Brake	43511202-000	1
36	Bolt	45016131-00K	5
37	Tube, Spacer	4281055E-000	1
38	Shield, Disc	52621201-067	1
39	Shield, Gearcase	4352639A-067	1
40	Foam	3720439A-000	4



ITEM	DESCRIPTION	P/N	Q"TY
1	Steering Shaft Fix Comp	5349039A-000	1
2	Cap, Rubber	19611202-000	1
3	Sleeve, Steering Shaft	5122039A-000	2
4	Nut	90355-10000-14C	4
5	Shaft, Steering	5110755E-067	1
6	Pin, Cotter	94201-25190	8
7	Nut	90352-10000-00C	4
8	Washer	94101-1022020-00C	6
9	Asm., Tie Rod	5341039A-000	2
10	Ciamp	94514-09255	4
11	Boot	16129201-000	4
12	Asm., Tie Rod	5341139A-000	2
13	Rod End, LH	5341239A-000	2
14	Nut	94002-10010-00C	2
15	Nut	94001-10000-24C	2
16	Rod End, RH	5341339A-000	2
17	Asm., Steering Knuckle, LH	51325209-000	1
18	Pin, Cotter	94201-32320	1
19	Shaft, Prob	90353-18000-00C	1
20	Washer	94121-1835200-000	1
21	Spacer	4431339A-000	1
22	Flangette	5111139A-000	2
23	Bearing, Ball	0490004-000	1
24	Bolt, Carriage	95021-100228-00C	2
25	Asm., Steering Knuckle, RH	51330210-000	1

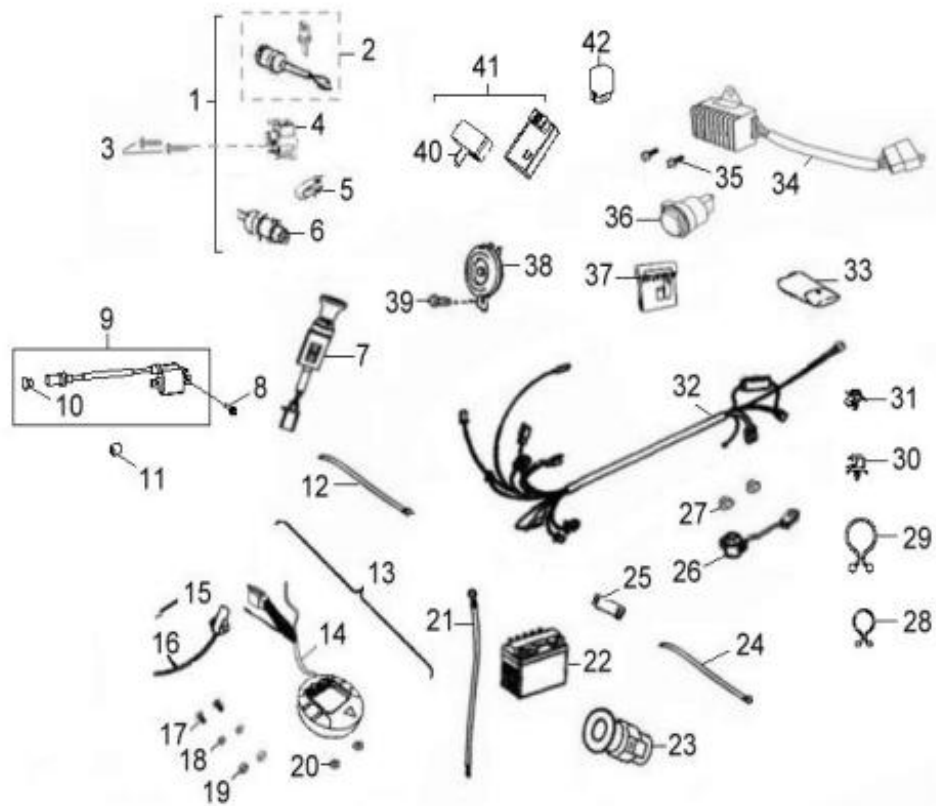


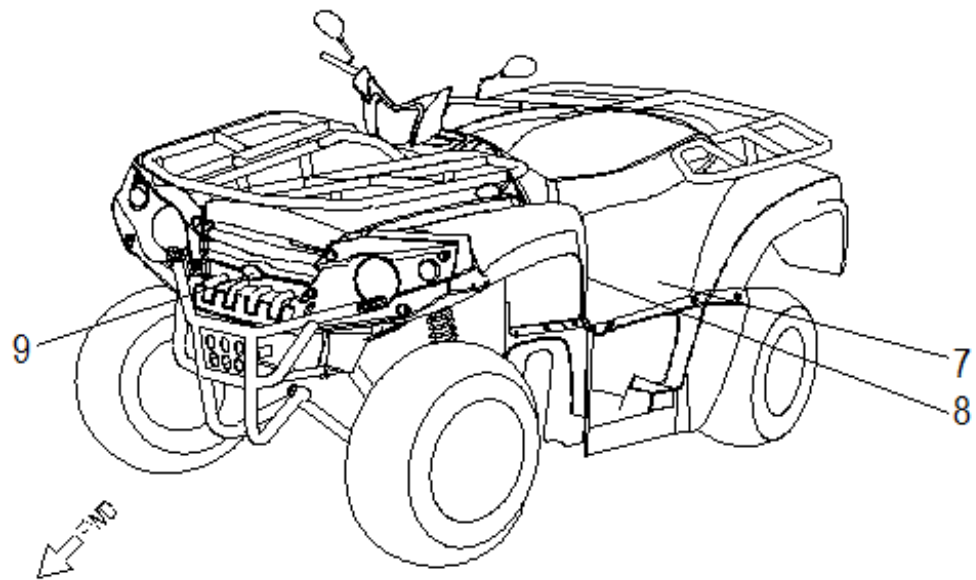
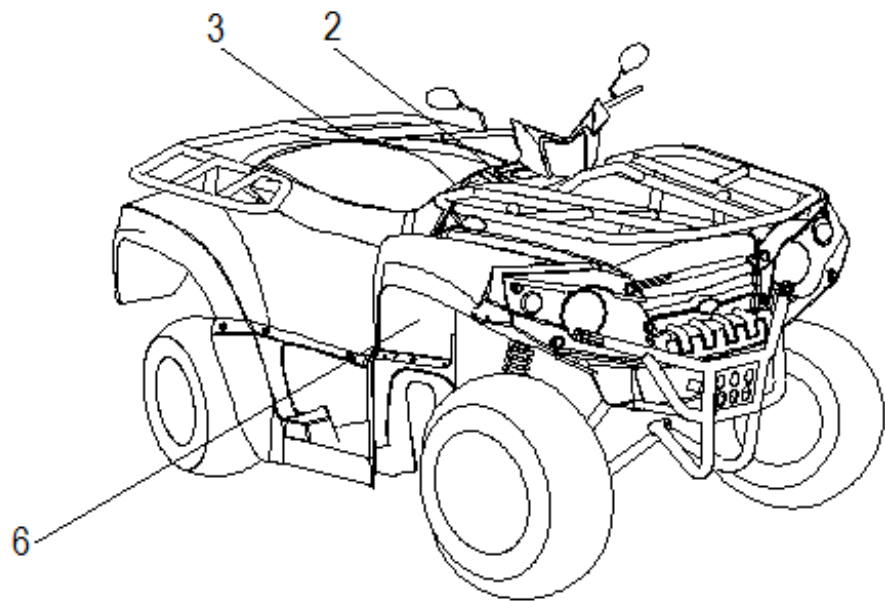
ITEM	DESCRIPTION	P/N	Q"TY
1	Nut	94050-06000-00C	2
2	Washer	94101-0619010-00C	2
3	Asm., Taillight	3370039A-000	1
4	Gasket	33716205-000	1
5	Socket, Taillight	33711204-000	1
6	Bulb, Taillight	34906201-000	1
7	Lens, Taillight	33702202-000	1
8	Bolt	93500-035398-SUS	2
9	Reflector	3374155E-000	2
10	Asm., Signal, Front, RH	33400216-000	2
11	Socket Signal	33604201-000	4
12	Socket, Signal, RH	33442201-000	2
13	Bulb, Signal	33905205-000	4
14	O-Ring	93210-04920	4
15	Lens, Signal	33603201-000	4
16	Screw	93903-1030148-00C	8
17	Asm., Headlight	33100231-001	2
18	Lens, Headlight	33110225-000	2
19	Bulb, Headlight	34901205-000	2
20	Bulb, Parking	34909203-000	2
21	Socket, Headlight	33111226-000	2
22	Bracket, Headlight	33201202-000	4
23	Screw	93903-1050128-00K	4
24	Asm., Signal, Front, LH	33450216-000	2
25	Socket, Signal, LH	33441201-000	2



ITEM	DESCRIPTION	P/N	Q"TY
1	Asm., Main Switch	35100277-000	1
2	Switch, Main	35102277-000	1
3	Bolt	93100-050128-00K	2
4	Lock, Steering	35106208-000	1
5	Clip, Main Switch	35101131-000	1
6	Lock, Seat	77233201-000	1
7	Power Supplier	38130179-000	1
8	Bolt	96000-060208-10K	2
9	Asm., Ignition Coil	30510212-000	1
10	Insulator Coil	3060550T-000	1
11	Rubber, Ignition Coil	3070450T-000	1
12	Strap	89769111-000	1
13	Asm., Speedometer	3720055E-000	1
14	Speedometer	3720555E-000	1
15	Magnet, Speedometer	37203206-000	1
16	Sensor, Speedometer	37206201-000	1
17	Screw	93100-040128-00B	2
18	Washer, Spring	94111-0412010-00B	2
19	Nut	94001-06000-10B	2
20	Washer	94101-0613010-00B	2
21	Asm., Battery Cable	3200155E-000	1
22	Battery	3150039A-000	1
23	Relay, Signal	38302204-000	1
24	Strap	89569131-000	21
25	Strap, Battery	89750202-000	1
26	Starter Relay	38501119-000	1
27	Nut	94050-06000-00K	2
28	Cable	89755204-000	2
29	Fastener, Cable, Steering Shaft	89755215-000	1
30	Strap, Oil Hose	89753201-000	1
31	Ground Cable, Battery	89755202-000	2
32	Harness, Main Wire	32100276-001	1
33	Pouch, Tool	89120215-000	1
34	Rectifier/ Regulator	31600215-000	1
35	Bolt	96000-060148-10K	2
36	Relay, Parking	38701202-000	1
37	Fuse Box	32109201-001	1
38	Horn	38110119-000	1
39	Bolt	96000-080128-OKL	1
40	Pad, Rubber	30411207-000	1

ITEM	DESCRIPTION	P/N	Q"TY
41	Asm., CDI Unit	30410247-000	1
42	Relay, Thermo Switch	5042951T-000	1





Item	Description	Part number	Q.ty
2	Decal , Waring, Reverse	87854202-000	1
3	Decal, Warning, Rack	87869131-000	1
6	Decal, Waring, Y-16	87851173-000	1
7	Decal, "Drain bolt"	87843201-000	1
8	Decal, General Waring	87852159-000	1
-	Decal Kit Crossland RX/X4 400	99700300-116	1
		99700300-507	1