

# CROSSLAND 400

## 4x4

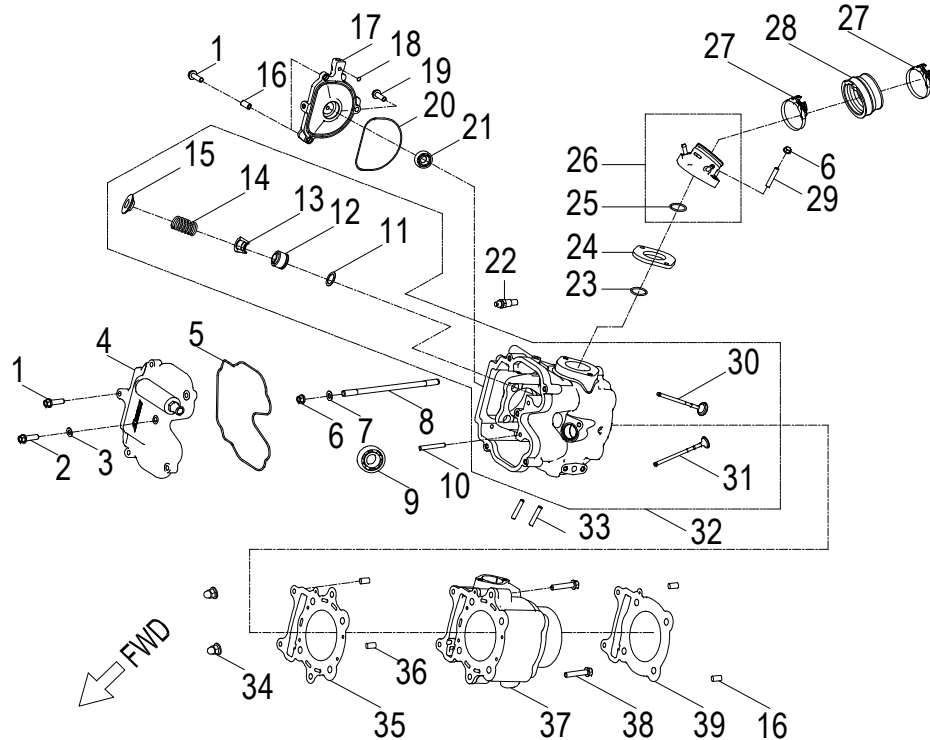


VIN Nंबर:

RF3UA7710GT001359

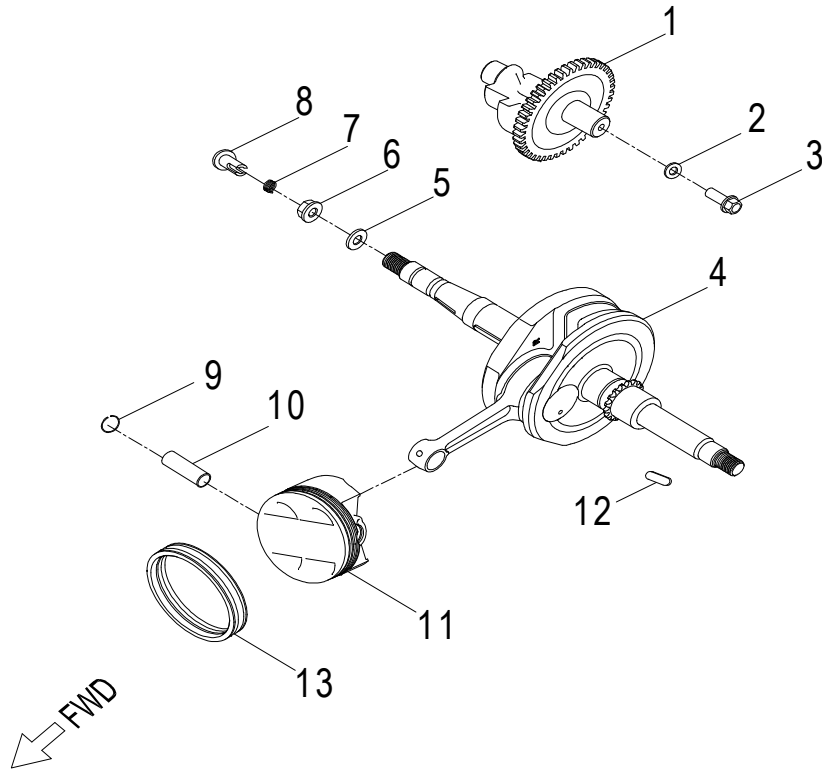


**D-1: CYLINDER HEAD**



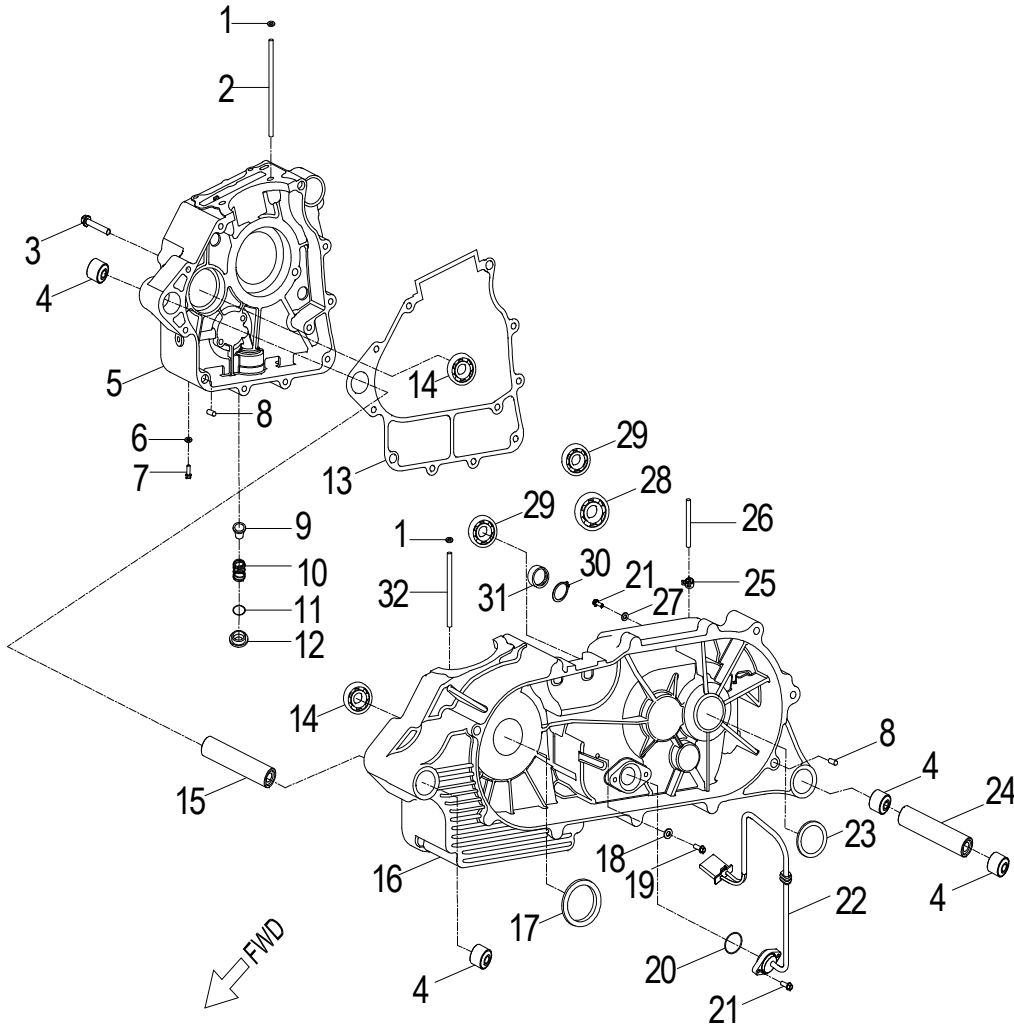
ITEM	DESCRIPTION	P/N	Q"TY
1	Bolt	96000-060258-08C	7
2	Bolt	96000-060308-08C	1
3	Washer	94101-0612010-00U	2
4	Asm., Head Cover	1231069T-000	1
5	Gasket , Head Cover	1239169S-000	1
6	Nut	94050-06000-00C	2
7	Washer	94101-0613020-U00	2
8	Stud	91001-061158-00C	2
9	Bearing, Ball	96100-60020-00000	1
10	Pin, Dowell	1447569S-000	2
11	Seat, Valve, Spring, Outer	1477569S-000	4
12	Seal, Valve	1220962B-000	4
13	Clip, Retainer	1478169S-000	8
14	Spring, Valve, Outer	1475169S-000	4
15	Retainer, Valve, Spring	1477169S-000	4
16	Pin, Dowel	94301-08080	4
17	Cover, Head , RH	1233169S-000	1
18	O-Ring	93216-00725	1
19	Bolt	96000-060208-08C	1
20	Gasket, Cam Cover	1233269S-000	1
21	Bearing, Ball	96100-60000-Z00C3	1
22	Plug, Spark	9807650N-000	1
23	O-Ring	93210-04320	1
24	Insulator, Cylinder head	1711269S-000	1
25	O-Ring	93210-04330	1
26	Asm., Manifold, Intake	1710069S-000	1
27	Strap	94520-04064	2
28	Adapter, Carburetor	1614669S-000	1
29	Stud	91001-060408-00C	2
30	Valve, Intake	1471169S-000	2
31	Valve, Exhaust	1472169S-000	2
32	Asm., Cylinder Head	1220069S-000	1
33	Stud	91001-080328-00C	2
34	Nut	94022-06000-00C	2
35	Gasket Set	1225069S-000	1
36	Pin, Dowel	94301-10140	2
37	Cylinder	1210069S-000	1
38	Bolt	96000-060308-08C	2
39	Gasket, Cylinder	1219169S-000	1

**D-2: PISTON , CRANKSHAFT**



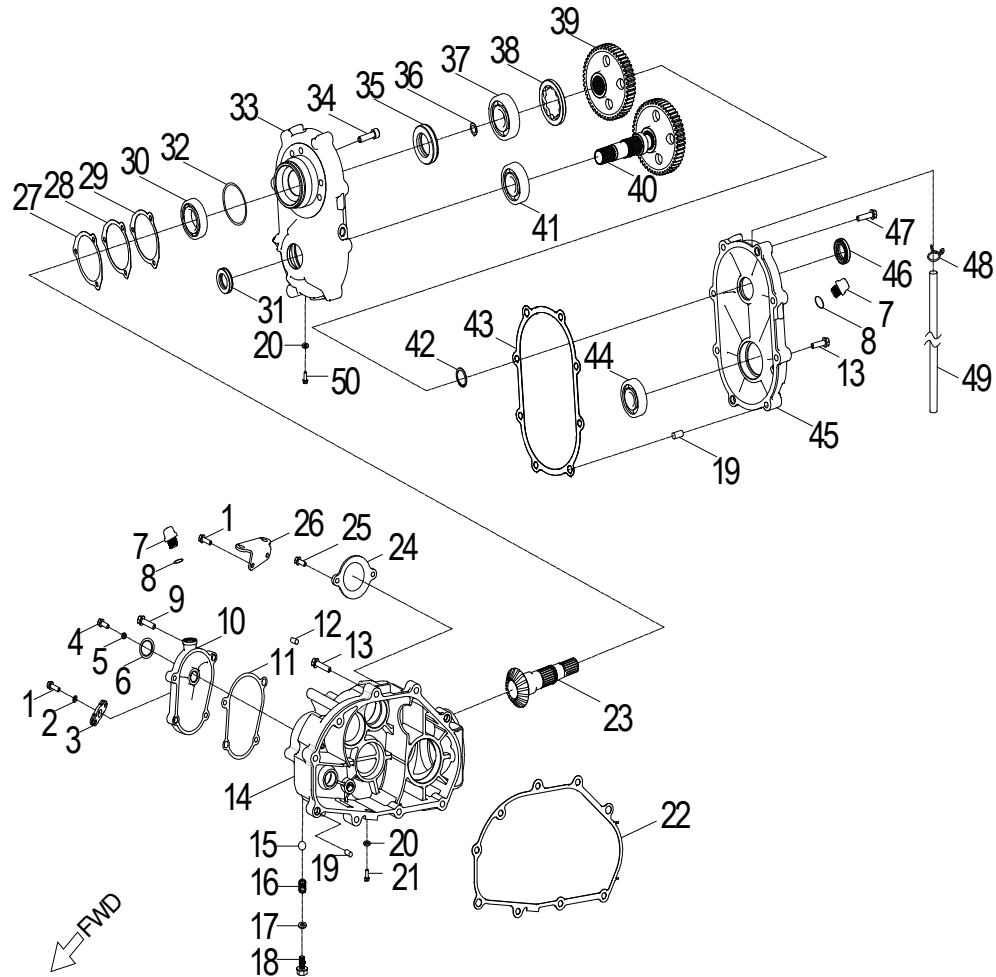
ITEM	DESCRIPTION	P/N	Q"TY
1	Shaft, Balancer	1342069S-000	1
2	Washer	94101-0832030-000	1
3	Bolt	96000-080148-OKL	1
4	Asm., Crankshaft	1300069S-000	1
5	Washer	94101-1426020-00C	1
6	Nut	94001-14000-00C	1
7	Spring, Oil	1544739A-000	1
8	Tube, Oil, Crankshaft	1544139A-000	1
9	Clip, Piston Pin	1311550A-000	2
10	Pin, Piston	1311169S-000	1
11	Piston	1310069S-000	1
12	Key, Woodruff	90471-25404	1
13	Ring Set, Piston	1301169S-000	1

**D-3: CRANKCASE**



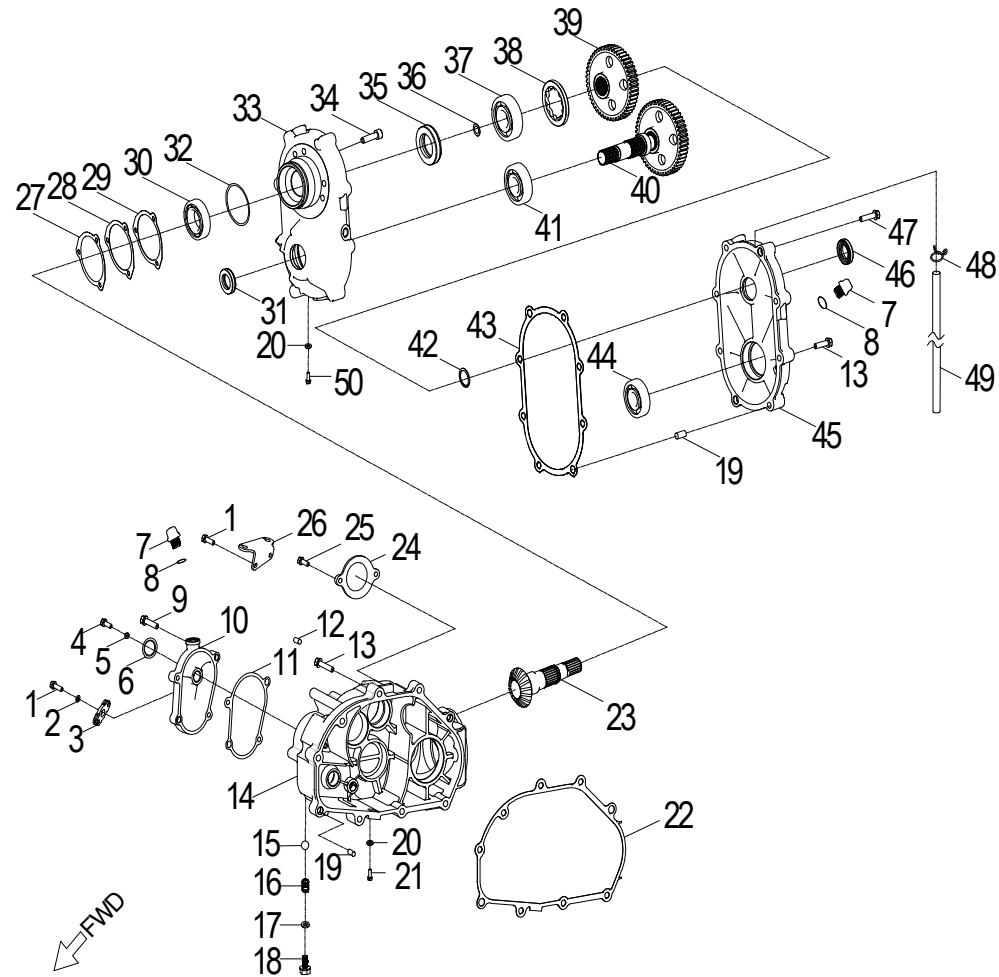
ITEM	DESCRIPTION	P/N	Q"TY
1	Washer	94108-0816030-00C	4
2	Stud	91001-081818-00B	2
3	Bolt	96000-060508-08C	4
4	Bushing	96400-102824	4
5	Crankcase, Rh	1110162F-000	1
6	Washer	94101-1221320-00L	1
7	Bolt	96003-120158-17C	1
8	Pin, Dowel	94301-10140	4
9	Screen	15421119-000	1
10	Spring, Screen	15426119-000	1
11	O-Ring	93212-03132	1
12	Plug, Drain, Oil	11334119-000	1
13	Gasket	1119150A-002	1
14	Bearing, Ball	96100-63040-00000	3
15	Spacer, Collar	1115050A-000	1
16	Crankcase, Lh	1120150A-001	1
17	Seal, Oil	96504-304207FKM	1
18	Washer	94101-0624016-00G	1
19	Bolt	96000-060108-08C	1
20	O-Ring	93212-02620	1
21	Bolt	96000-060128-08C	4
22	Asm., Sensor, Shifter	3575950S-000	1
23	Seal, Oil	96504-253807FKM	1
24	Spacer, Collar, Rear	1115150A-000	1
25	Clamp	94515-12008	1
26	Hose	94408-09013-400	1
27	Washer	94101-0618015-00K	2
28	Bearing, Ball	96100-63050-00000	1
29	Bearing, Ball	96100-62040-00000	2
30	Clip, Cir	94511-2500S	1
31	Bearing, Needle	96200-202715	1
32	Stud	91001-081888-00B	2

**D-4: DRIVE ASSEMBLY, REAR**



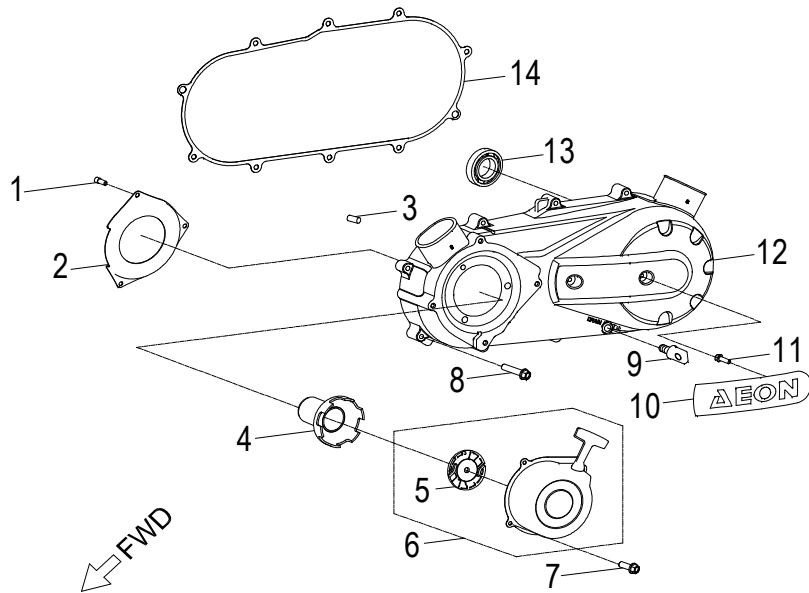
ITEM	DESCRIPTION	P/N	Q"TY
1	Bolt	96000-060168-10K	3
2	Washer	94101-0618015-00K	1
3	Lever, Shift	2131755L-000	1
4	Bolt	96000-060108-10K	1
5	Washer	94101-0612010-00U	1
6	Seal, Oil	96500-142807A7271	1
7	Plug, Oil	15650111-001	2
8	O-Ring	93210-01425	2
9	Bolt	96000-060358-08C	4
10	Cover, Shift	2136150S-000	1
11	Gasket, Inspection Cover	2136250S-002	1
12	Pin, Dowel	94301-08140	2
13	Bolt	96000-080458-00C	15
14	Cover, Transmission	2130155L-000	1
15	Ball, Steel	2132239A-000	1
16	Spring, Detent	2430655E-000	1
17	Washer	94101-1422010-00L	1
18	Bolt	2430539A-000	1
19	Pin, Dowel	94301-10140	4
20	Washer	94101-1221320-00L	2
21	Bolt	96000-120158-14C	1
22	Gasket, Transmission Cover	2139550A-002	1
23	Gear, Shaft, Output	2347069S-000	1
24	Inspection Cover	2136355L-000	1
25	Bolt	96000-060168-08C	2
26	Adaptor, Shift Cable	2134150A-000	1
27	Shim	23476209-000	1
28	Shim	23476208-000	1
29	Shim	23476207-000	1
30	Bearing, Ball	96100-60060-00000	1
31	Seal, Oil	96504-223506NBR	1
32	O-Ring	93210-06020	1
33	Cover, Transmission cover Rh	2130362F-002	1
34	Bolt	96000-080259-00G	3
35	Seal, Oil	96504-304005NBR	1
36	Shim	23476210-000	1
37	Bearing, Ball	96100-63050-000C3	1
38	Nut	90204-64000-00C	1
39	Gear, Front Shaft	2347262F-002	1
40	Asm., Front Shaft	2349062A-001	1

**D-4: DRIVE ASSEMBLY, REAR**



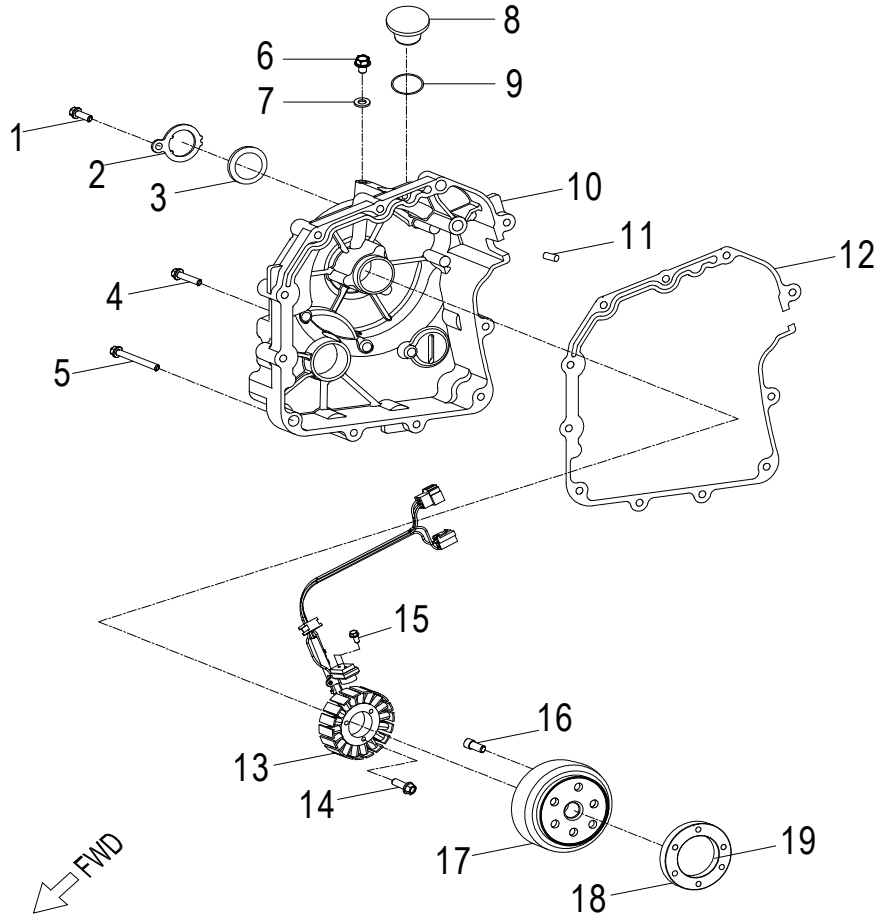
ITEM	DESCRIPTION	P/N	Q"TY
41	Bearing, Ball	96100-63220-00000	1
42	Clip, Cir	94511-2200S	1
43	Gasket, Transmission Cover cover F	2130462F-002	1
44	Bearing, Ball	96100-63040-00000	1
45	Gearcase, Rear	2136462F-000	1
46	Seal, Oil	96504-223507NBR	1
47	Bolt	96000-080508-12C	4
48	Clip	94510-06000	1
49	Hose	94408-05007-500	1
50	Bolt	91000-120158-00C	1

**D-5: CRANKCASE COVER, LH**



ITEM	DESCRIPTION	P/N	Q"TY
1	Bolt	91003-060088-00K	3
2	Wind Guider, Drive Clutch	1133969S-000	1
3	Pin, Dowel	94301-10140	2
4	Ratchet, Recoil	2210769S-000	1
5	Sliding Cover Comp	1170650A-000	1
6	Recoil, Starter	1135050A-000	1
7	Bolt	96000-060168-10K	4
8	Bolt	96000-060408-08C	10
9	Drain plug	11353201-000	1
10	Tablet, Logo	1134750A-000	1
11	Bolt	96000-050128-00K	2
12	Cover, Clutch	1134169S-000	1
13	Bearing, Ball	96100-6004-LLUC3/ZG	1
14	Gasket	1135950A-002	1

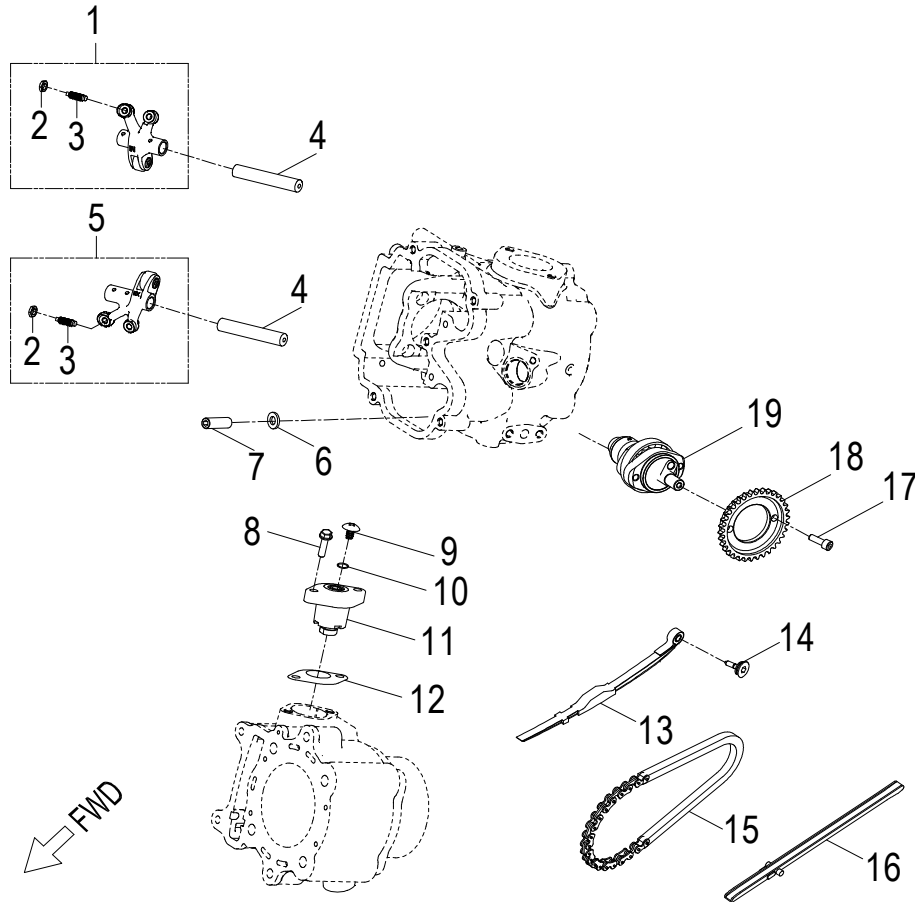
**D-6: CRANKCASE COVER ,RH**



ITEM	DESCRIPTION	P/N	Q"TY
1	Bolt	96000-060128-08C	1
2	Retainer, Sight Glass	1133350S-000	1
3	Oil Windows	1120250A-000	1
4	Bolt	96000-060458-08C	4
5	Bolt	96000-061359-08G	7
6	Bolt	96000-060108-10K	1
7	Washer	94101-0612010-00U	1
8	Cap(Nickel Silver)	96600-30075000000	1
9	O-Ring	93210-02724	1
10	Crankcase Cover, Rh	1133550A-000	1
11	Pin, Dowel	94301-10140	2
12	Gasket, Crankcase, RH	1139350A-002	1
13	Stator	3112062E-000	1
14	Screw	91300-050258-00C	3
15	Bolt	92000-050128-00C	2
16	Bolt	91000-080188-00C	6
17	Flywheel	3111069F-000	1
18	Outer, One Way	2812169N-000	1
19	Asm., Rollor, One Way	2813069N-000	1



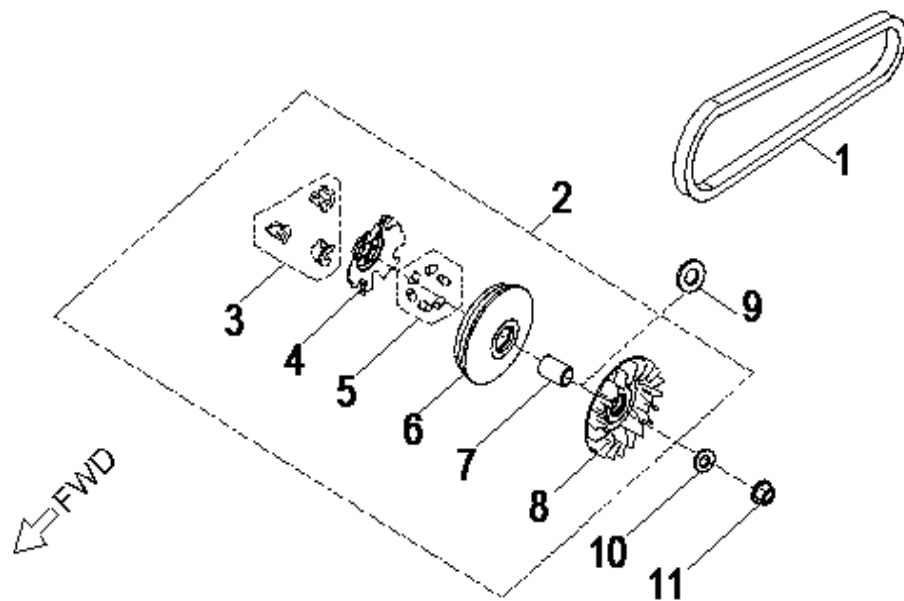
**D-7: VALVE CAM**



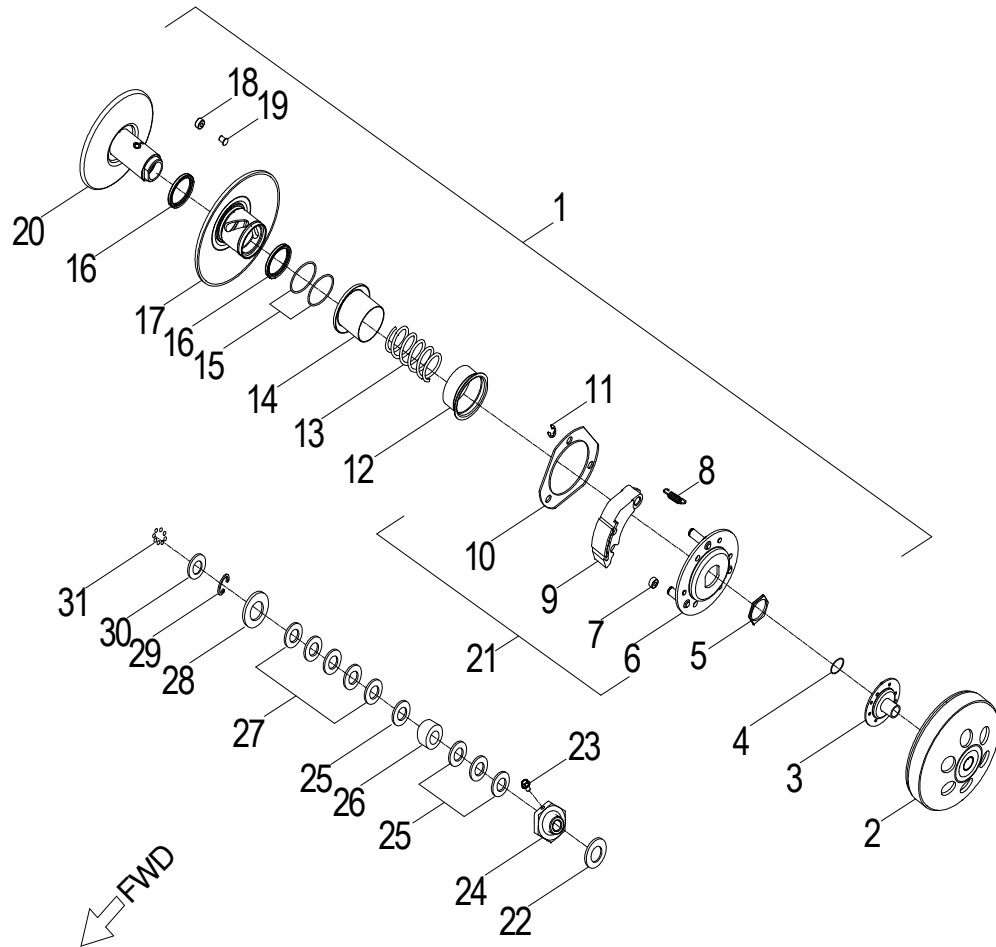
ITEM	DESCRIPTION	P/N	Q"TY
1	Arm Comp,Valve Rocker Intake	1443069F-000	1
2	Nut,Tappet Adjusting	14433140-000	4
3	Screw,Tappet Adjusting	14432140-000	4
4	Shaft,Valve Rocker Arm	1445169S-000	2
5	Arm Comp,Valve Rocker Exhaust	1444069F-000	1
6	Washer	94108-0816030-00C	4
7	Nut, Head	1221869S-000	4
8	Bolt	96000-060228-14C	2
9	Screw	93000-060068-00K	1
10	O-Ring	93210-00915	1
11	Tensioner	1452150N-000	1
12	Gasket, Tensioner	14523119-002	1
13	Guide, Cam Chain, RH	1455050A-000	1
14	Pivot, Guide	1453550A-000	1
15	Chain, Cam	1440169S-000	1
16	Guide, Cam Chain, LH	1450050N-000	1
17	Bolt	91000-060128-0KL	2
18	Sprocket, Camshaft	1410869S-000	1
19	Asm., Cam Shaft	1440050T-000	1

**D-8: DRIVE CLUTCH**

Item	Description	Part number	Q.ty
1	Belt, Driven	2310069F-000	1
2	Asm., Sliding	2210369S-000	1
3	Bushing, Slider	2213369N-000	1
4	Plate, Sheave	2213169S-000	1
5	Roller	2212069S-000	1
6	Wheel, Slot, Sliding, Primary	2211062E-000	1
7	Bushing, Sheave	2210669S-000	1
8	Sheave, moveable	2210262E-000	1
9	Washer	94101-1733015-000	1
10	Washer	94121-1426016-000	1
11	Nut	94050-14021-00C	1

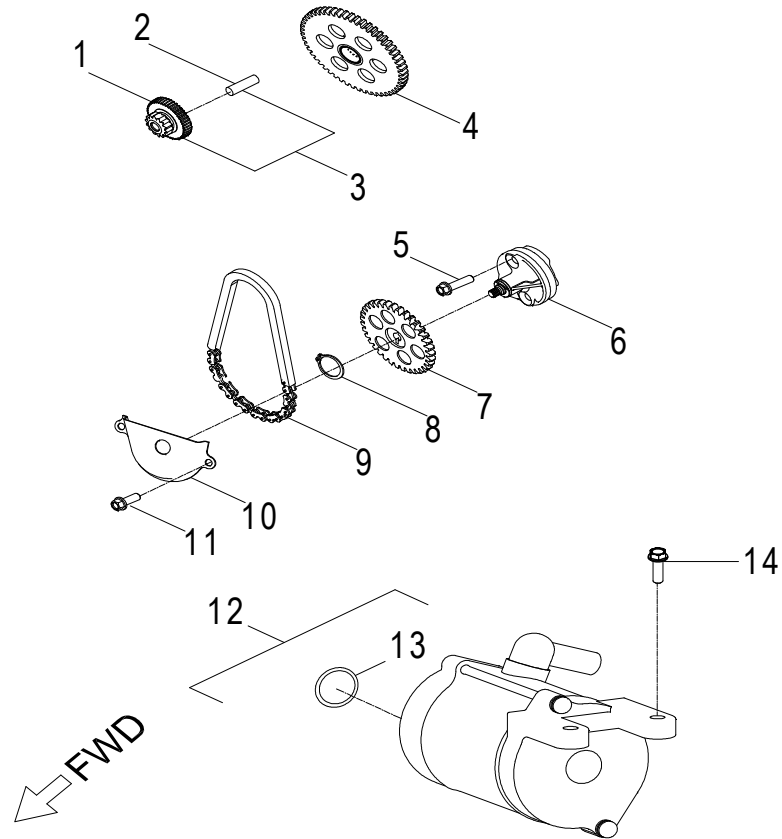


**D-9: DRIVEN CLUTCH**



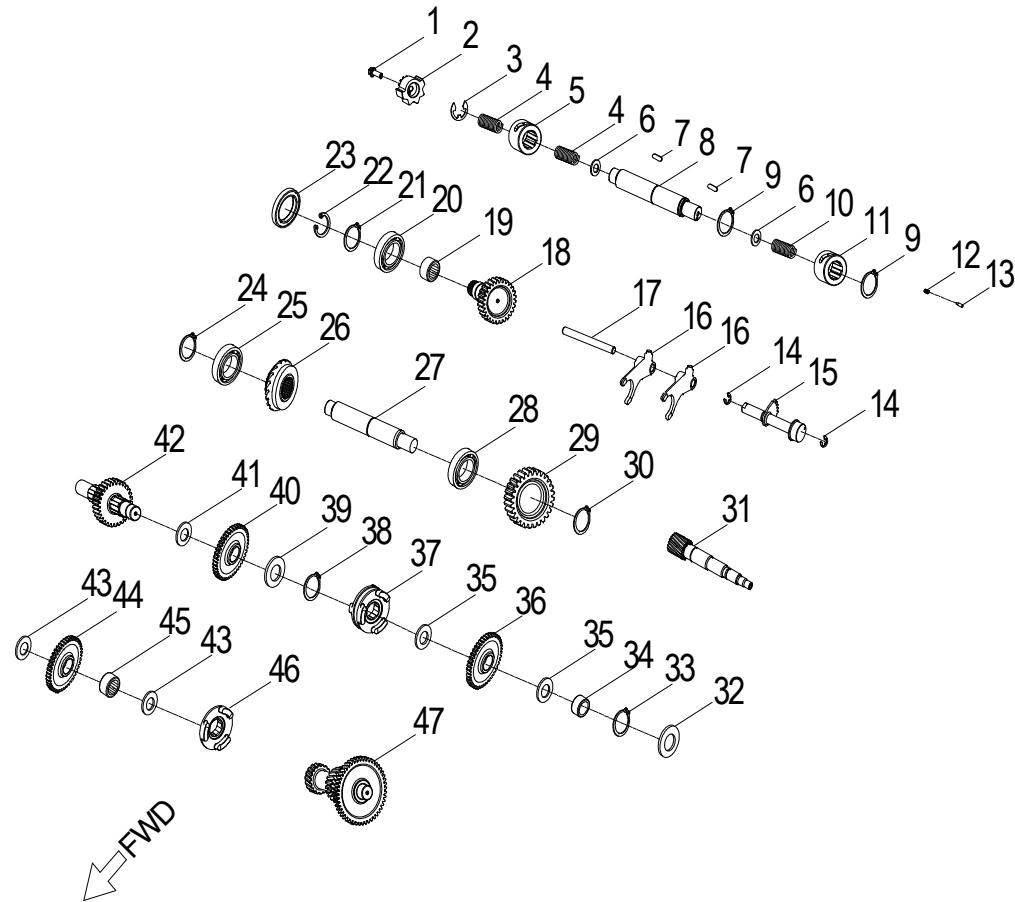
ITEM	DESCRIPTION	P/N	Q"TY
1	Asm., Driven Clutch	2200069S-000	1
2	Clutch, Outer	2210062E-000	1
3	Hold, Cam	2210139A-000	1
4	O-Ring	93214-02031	1
5	Nut	95111-0001C-000	1
6	Plate, Drive, Inner	2235062E-000	1
7	Bushing, Rubber	2280469N-000	3
8	Spring, Clutch	2240162E-000	3
9	Weight, Clutch	2253569N-000	3
10	Plate, Drive, Side	2235162E-000	1
11	Clip, Cir	94511-0700E	3
12	Seal, Collor	2323962E-000	1
13	Spring, Clutch	2323362E-000	1
14	Seal, Collor	2323762E-000	1
15	O-Ring	93214-04720	2
16	Seal, Oil	96500-404704FKM	2
17	Sheave, Moveable	2322062E-001	1
18	Roller, Guide	2322662E-000	4
19	Pin, Guide	2322562E-000	4
20	Sheave, Driven	2320062E-000	1
21	Asm., Driven Shoes	2200162E-000	1
22	Washer	94121-2038005-00K	1
23	Bolt	91205-050088-0KL	1
24	Nut, Driven	2210539A-000	1
25	Washer	94101-2538010-000	4
26	Guide, Cam	2210839A-000	1
27	Washer, Special	94122-2550020-00K	5
28	Retainer, Ball	2210439A-000	1
29	Clip, Cir	94511-250IS	1
30	Washer	94101-2531010-00K	1
31	Ball, Steel	96211-07000	8

**D-10: OIL PUMP/STARTING MOTOR**



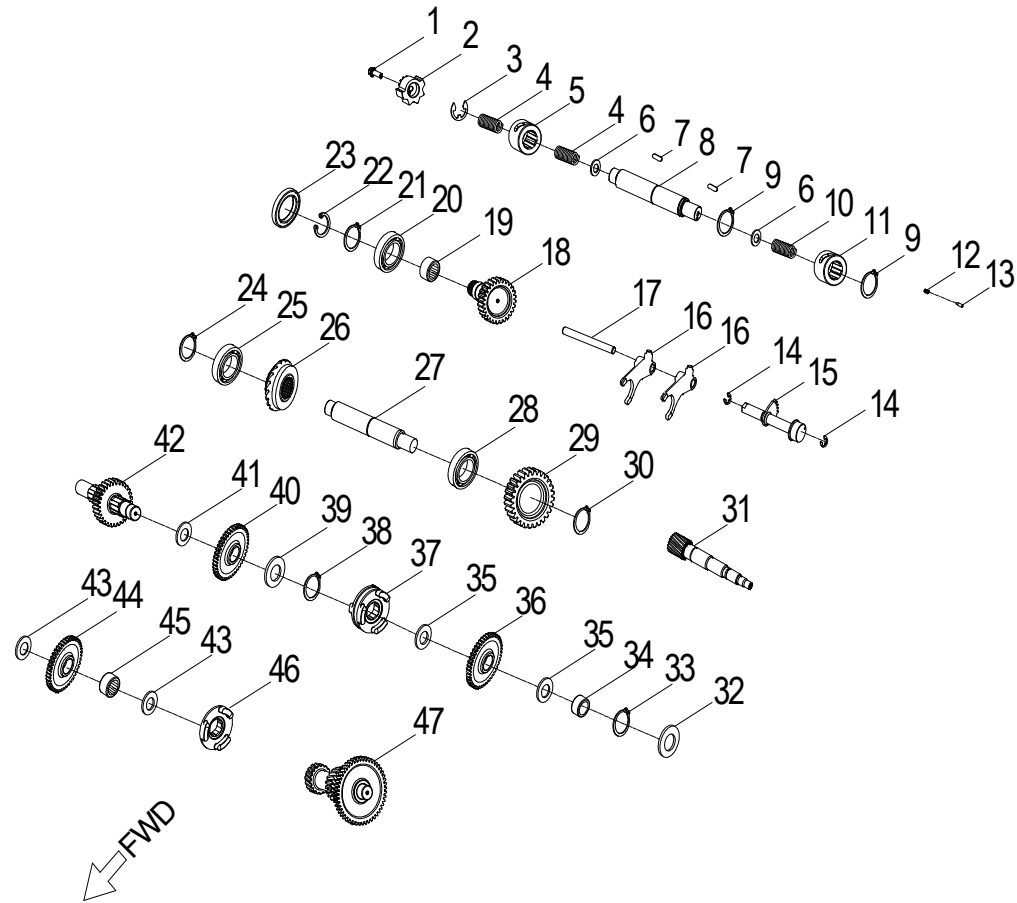
ITEM	DESCRIPTION	P/N	Q"TY
1	Gear, Starter	2842350A-000	1
2	Shaft, Starter Motor	2842450A-000	1
3	Asm., Gear Starter	2842250A-000	1
4	Gear, Starter	2822069N-000	1
5	Bolt	96000-060308-08C	2
6	Asm., Oil Pump	1500050A-000	1
7	Sprocket, Oil Pump	1515050A-000	1
8	Clip, Cir	94511-1000S	1
9	Chain, Oil Pump	1514150A-000	1
10	Cover, Oil Pump	1571150A-000	1
11	Bolt	96000-060128-08C	2
12	Motor, Starter	3120062E-000	1
13	O-Ring	93210-02431	1
14	Bolt	96000-060208-08C	2

**D-11: TRANSMISSION**



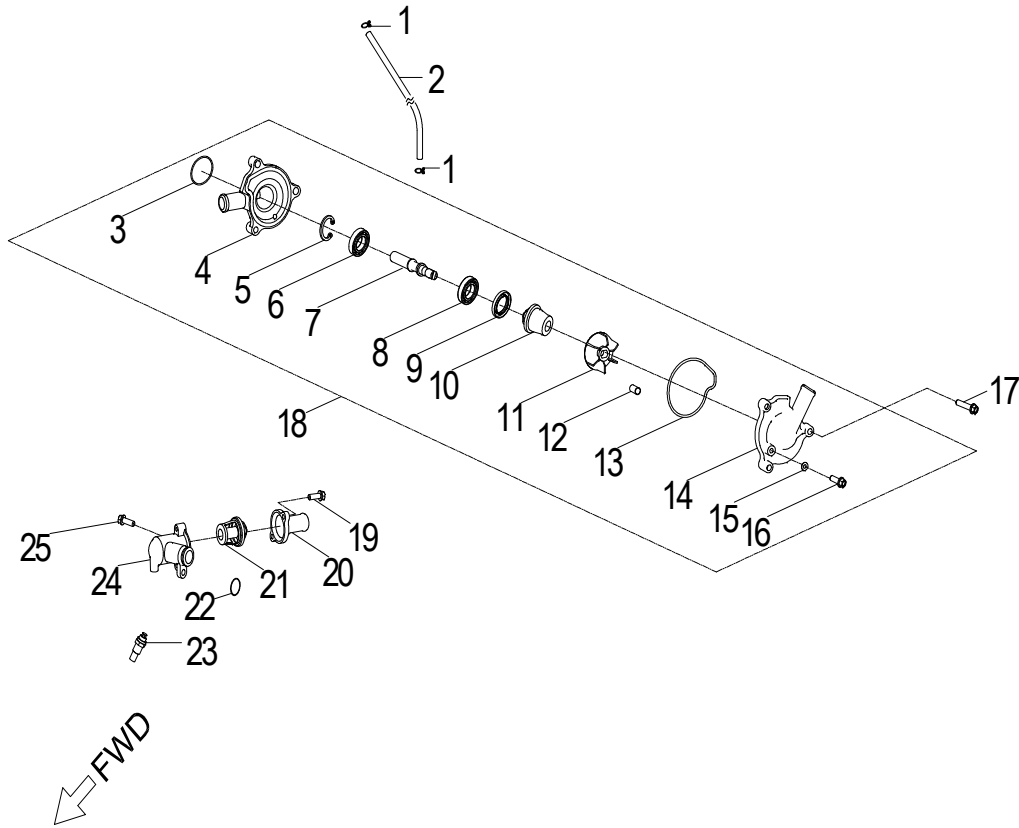
ITEM	DESCRIPTION	P/N	Q"TY
1	Bolt	96000-060288-10C	1
2	Gear , Drum Shift	2431050S-000	1
3	E-Clip	94513-1900E	1
4	Recoil, Shift	2430350S-001	2
5	Drum, Gear Shifter	2430155L-001	1
6	Washer	94101-2632005-000	2
7	Key, Woodruff	90472-40420	2
8	Shaft, Shift Drum	2430855L-000	1
9	Clip, Cir	94511-2600S	2
10	Recoil, Shift	2430750S-000	1
11	Drum, Gear Shifter	2430955L-001	1
12	Spring, Drum Sensor	2425339A-000	1
13	Roller, Drum Sensor	2425239A-000	1
14	E-Clip	94513-1200E	2
15	Spindle	2461150S-000	1
16	Fork, Shift	2423150A-000	2
17	Shaft, Gear Shift	2424155L-000	1
18	Idler Gear, Over Drive	2344355L-000	1
19	Bearing, Needle	96200-304217	1
20	Bearing, Ball	96100-62050-00000	1
21	Clip, Cir	94511-2500S	1
22	Clip, Cir	94512-5200R	1
23	Seal, Oil	96504-255207NBR	1
24	Clip, Cir	94511-2000S	1
25	Bearing, Ball	96100-63040-000C3	1
26	Gear, Final Ring	2343369S-000	1
27	Pinion,Output	2343150S-000	1
28	Bearing, Ball	96100-62060-00000	1
29	Gear,Output	2343269S-000	1
30	Clip, Cir	94511-2400S	1
31	Shaft, Drive	2341150S-000	1
32	Washer	94101-2033010-000	1
33	Clip, Cir	94511-2000S	1
34	Collar, Shaft	2344250A-000	1
35	Washer	94101-2028010-000	2
36	Asm., Gear, Spur	2345050A-001	1
37	Ratchet, Shift	2243050A-001	1
38	Clip, Cir	94511-2500S	1
39	Washer, Spline	2343550A-000	1
40	Gear Set, Reverse	2346050A-000	1

**D-11: TRANSMISSION**



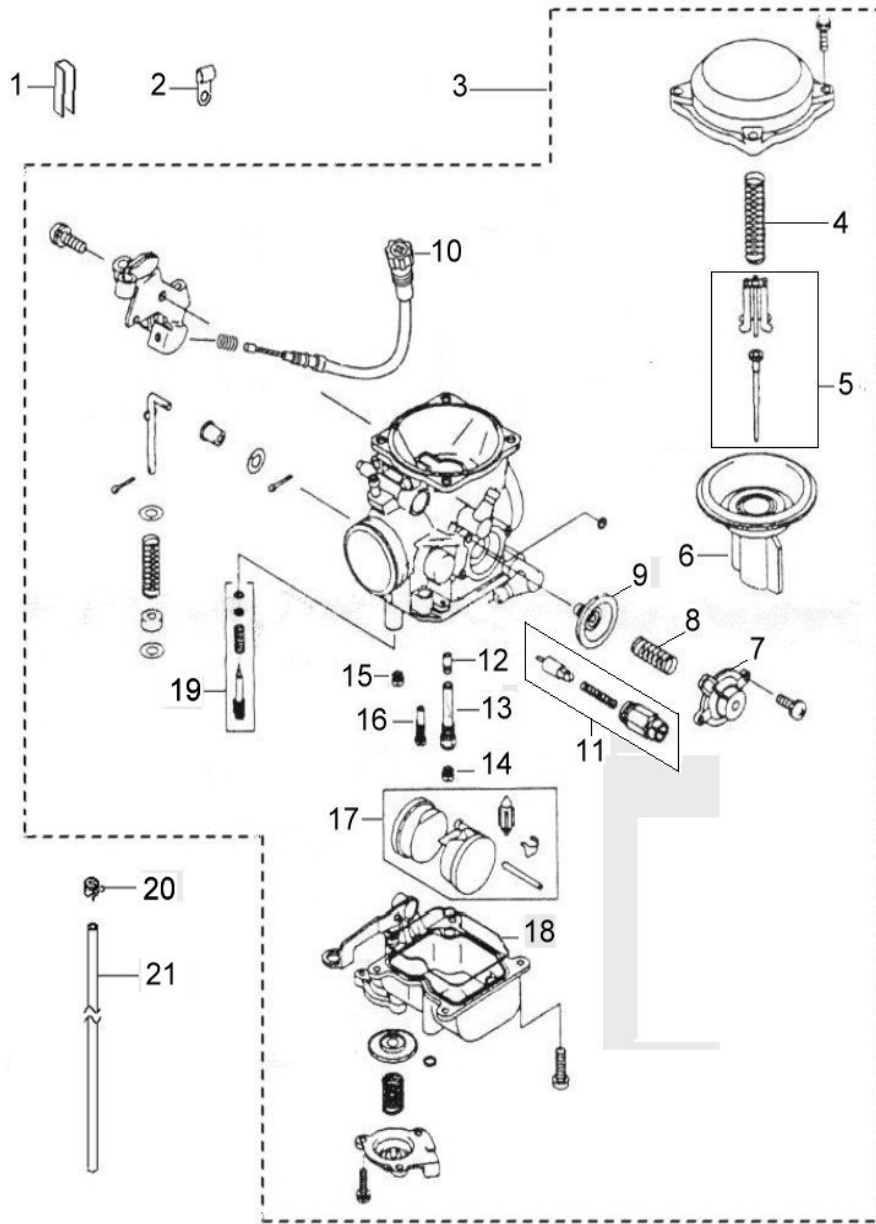
ITEM	DESCRIPTION	P/N	Q"TY
41	Washer	94101-2538010-000	1
42	Shaft, Transmission	2344169S-000	1
43	Washer	94101-2029010-000	2
44	Gear, Over Drive	2344455L-000	1
45	Bearing, Needle	96200-202417	1
46	Ratchet, Over Drive	2344555L-000	1
47	Asm., Shaft, Counter	2342055L-000	1

**D-12: WATER PUMP**



ITEM	DESCRIPTION	P/N	Q"TY
1	Clamp	1922250A-000	2
2	Hose	1950250A-001	1
3	O-Ring	93210-02920	1
4	Body, Water Pump	1921150A-000	1
5	Clip, Cir	94512-2600R	1
6	Bearing, Ball	96100-60000	1
7	Shaft, Water Pump	1923150A-000	1
8	Bearing, Ball	96100-69010	1
9	Seal, Oil	96500-122207	1
10	Seal, Mechanical	1921750A-000	1
11	Impeller, Water Pump	1921550A-000	1
12	Pin, Dowel	94301-08140	2
13	Gasket	1922950A-000	1
14	Flange, Water Pump	1922150A-000	1
15	Washer	94101-0612010-00U	1
16	Bolt	96000-060128-08C	1
17	Bolt	96000-060408-08C	3
18	Asm., Water Pump	1921050A-000	1
19	Bolt	96000-050168-00C	2
20	Flange, Thermosatic	1931550N-000	1
21	Bimetal, Thermosatic	1930050A-000	1
22	O-Ring	93212-01719	1
23	Sensor, Thermosatic	1931950A-000	1
24	Housing, Thermosatic	1931150A-000	1
25	Bolt	96000-060188-08C	1

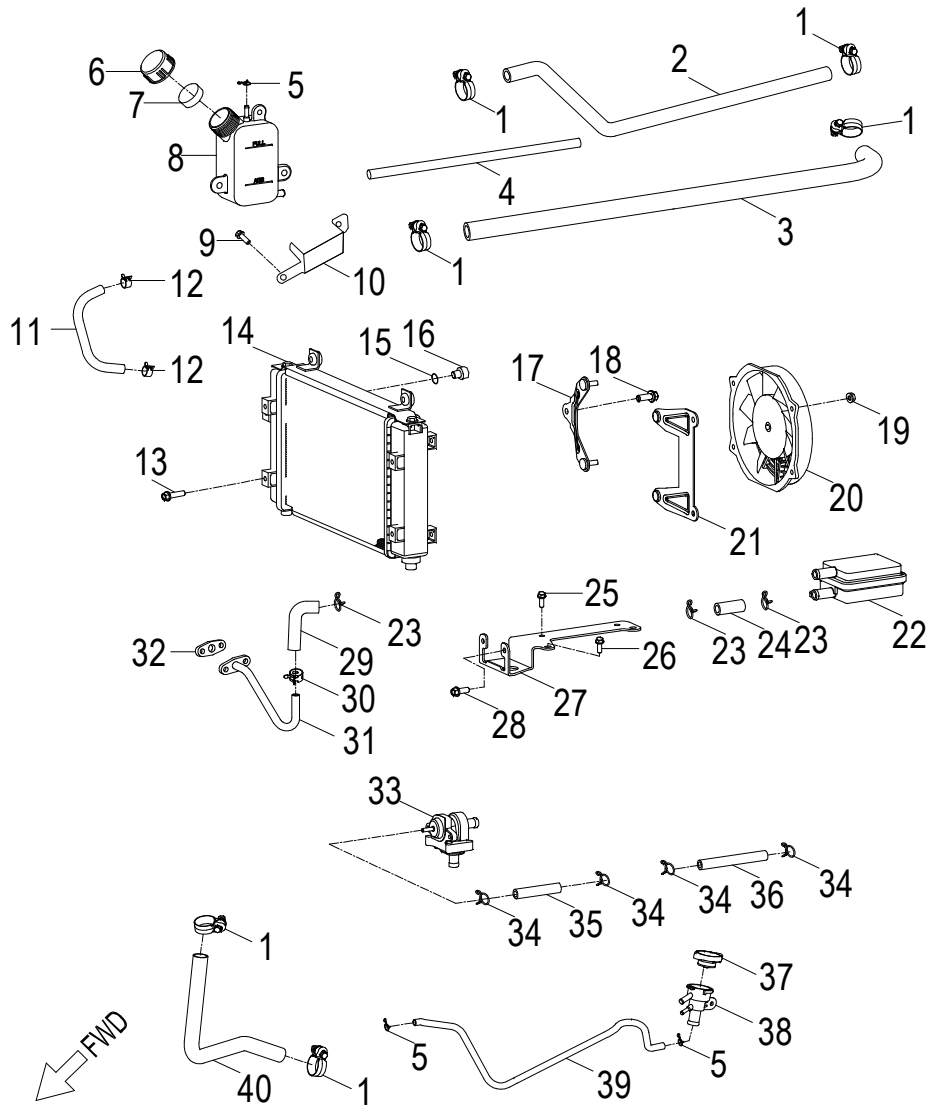
**D-13: CARBURETOR**



ITEM	DESCRIPTION	P/N	Q"TY
1	Limiting Plate, Throttle	16163201-000	1
2	Cable Fastener	45458205-000	1
3	Asm., Carburetor	1610069S-000	1
4	Spring	1610269S-000	1
5	Asm., Jet Needle	1610469S-000	1
6	Throttle Valve, Diaphragm	1605069S-000	1
7	Cover, Diaphragm	1615569S-000	1
8	Spring	1617269S-000	1
9		1616769S-000	1
10	Screw, Idle	1611469S-000	1
11	Manual Choke Comp	5392369S-000	1
12	Needle, Jet	1615069S-000	1
13	Valve, Needle	1610569S-000	1
14	Jet, Main	1610869S-000	1
15	Jet, Choke	1621469S-000	1
16	Jet, Pilot	1611069S-000	1
17	Float	1612369S-000	1
18	Seal, Float	1610669S-000	1
19	Screw, Air	1611569S-000	1
20	Clamp	94515-07807	1
21	Tube, Oil	94403-04008-430	1

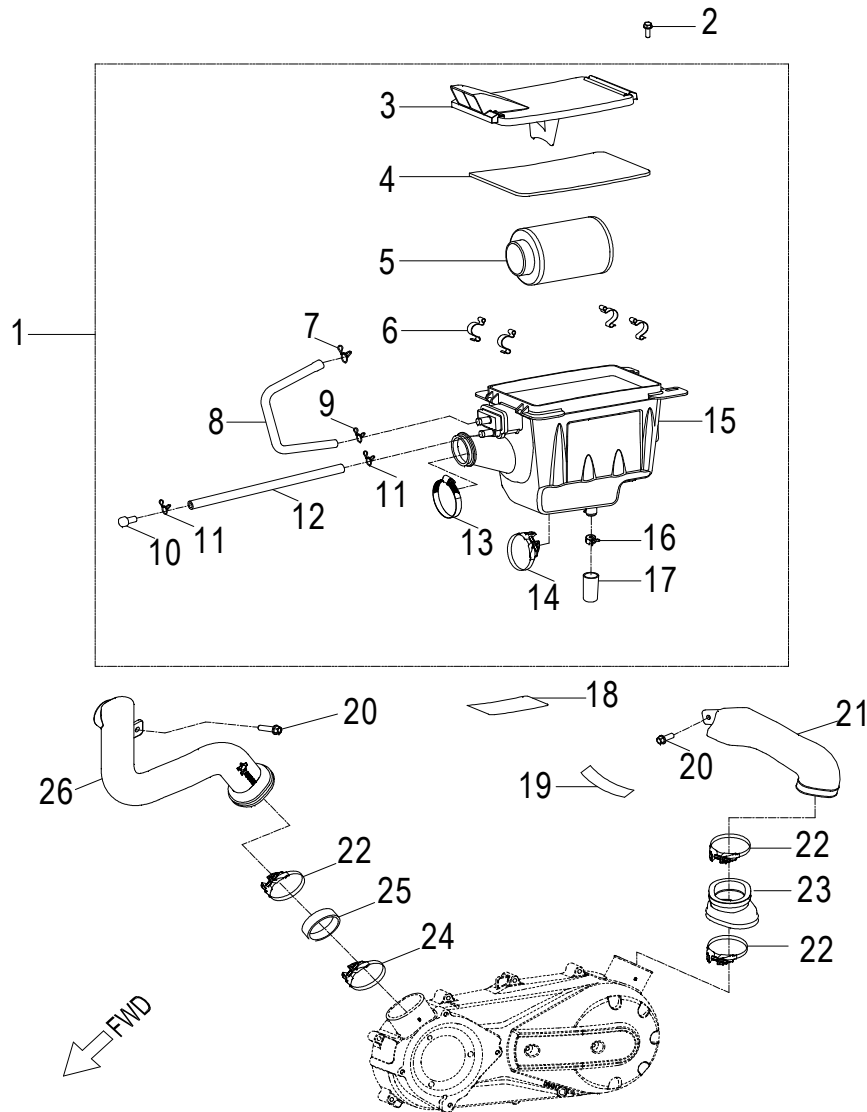


**D-14: RADIATOR**



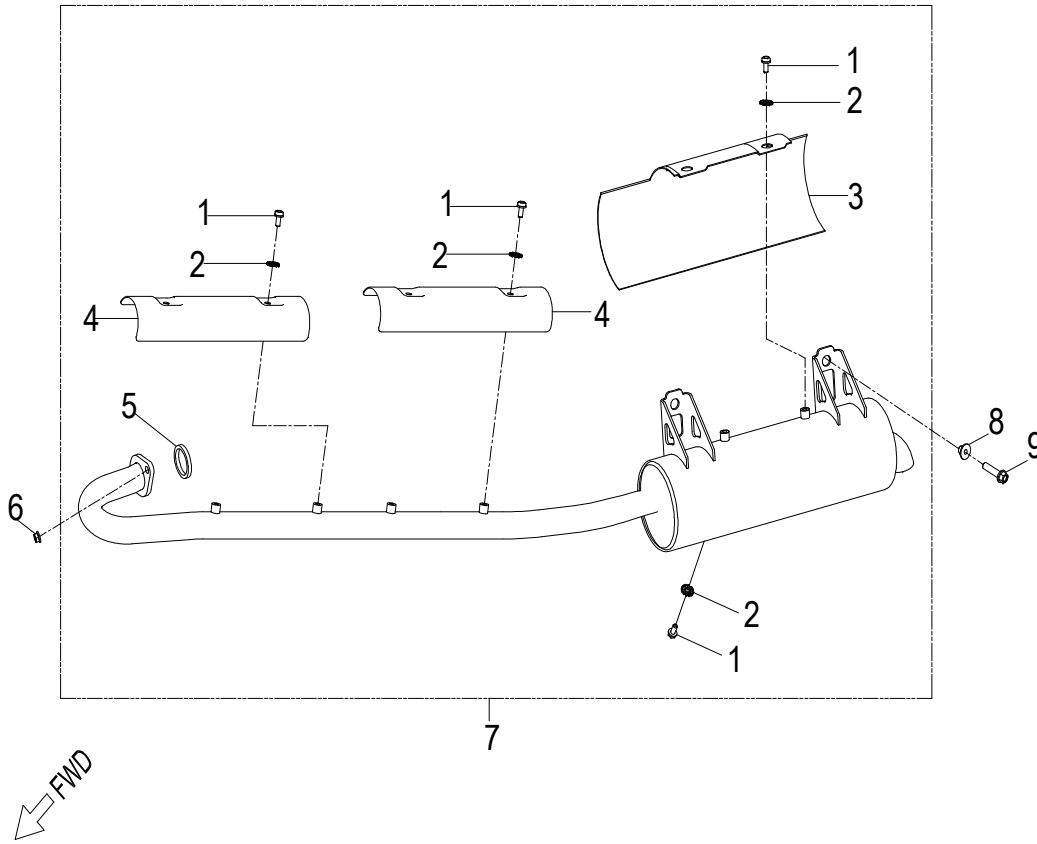
ITEM	DESCRIPTION	P/N	Q"TY
1	Clamp	1922250A-000	6
2	Hose, Outlet, Radiator	19501206-000	1
3	Hose, Inlet, Radiator	19503207-000	1
4	Hose	94408-05007-450	1
5	Clip	94510-06500	3
6	Cap, Expansion Tank	1910250A-000	1
7	Boot, Duct	1726950A-000	1
8	Tank, Expansion	1910150A-000	1
9	Bolt	96007-060168-00K	1
10	Bracket, Expansion Tank	19103201-000	1
11	Hose, Inlet, Expansion Tank	19506201-000	1
12	Clamp	94515-12008	2
13	Bolt	96007-060228-00K	2
14	Radiator	1901162F-001	1
15	O-Ring	93210-01224	1
16	Switch, Thermosatic	1932551T-000	1
17	Bracket, Fan, Right	1900662E-000	1
18	Screw	93003-060168-00K	3
19	Nut	94050-06000-00C	4
20	Asm., Fan	1900562E-000	1
21	Bracket, Fan, Left	1900762E-000	1
22	Asm., Filter, Daul- Intake	18995202-000	1
23	Clip	94510-15000	3
24	Hose, Rubber	96420-01016-052	1
25	Bolt	96000-060168-08C	2
26	Bolt	96000-060128-0KL	2
27	Bracket, Dual- Intake	1899850A-000	1
28	Bolt	96000-060148-10K	4
29	Hose, Rubber	17264203-000	1
30	Clamp	94515-13008	1
31	Tube, Dual- Intake	18640211-000	1
32	Gasket, Hose	1864639E-000	1
33	Valve, Dual-Intake	1899955E-000	1
34	Clip	94510-07400	6
35	Tube, Oil	94403-04008-265	1
36	Tube, Oil	94403-04008-300	1
37	Cap, Water	1911150A-000	1
38	Tube, Water Cap	1911450A-000	1
39	Tube, Oil	94403-04008-740	1
40	Hose, Water Cap, Radiator	19504202-001	1

**D-15: AIR CLEANER**



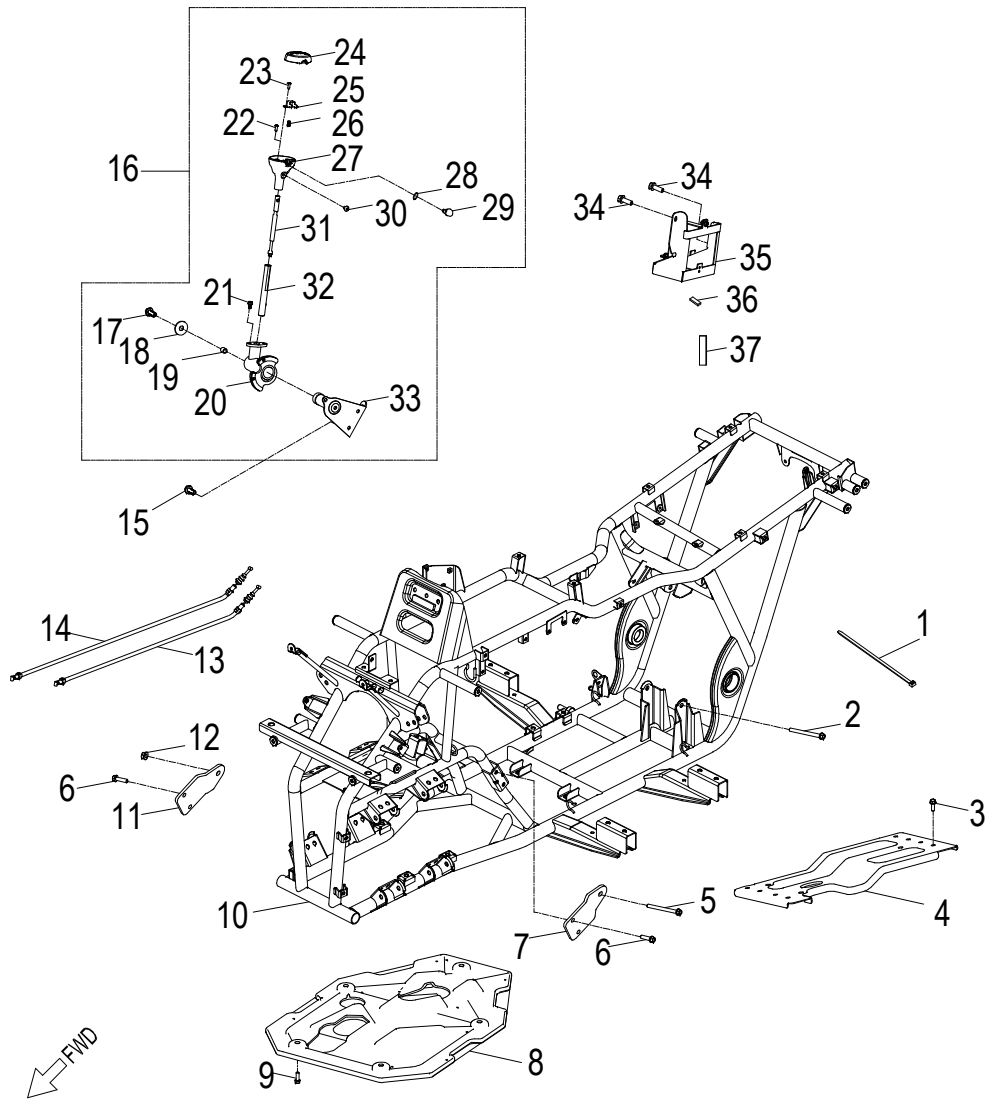
ITEM	DESCRIPTION	P/N	Q"TY
1	Asm., Cleaner, Air	17200224-002	1
2	Bolt	92005-060168-00K	2
3	Cover, Air Cleaner	17207207-000	1
4	Gasket	3371639A-000	1
5	Filter, Air Cleaner	17205201-001	1
6	Clip	1720839A-000	4
7	Clip	94510-14018	1
8	Tube, Breather, Ventilated	17381222-001	1
9	Clip	94510-12016	1
10	Plug, Trap	17370201-000	1
11	Clip	94510-12012	2
12	Tube, Breather, Ventilated	17381207-000	1
13	Strap	94520-05070	1
14	Strap	89669221-000	1
15	Box, Air Cleaner	17203213-000	1
16	Clip	94510-21616	1
17	Hose, Drain	94414-01613-060	1
18	Decal, Insulation	87011210-000	1
19	Decal, Insulation	87011219-000	1
20	Bolt	92003-060168-00K	2
21	Duct, Outlet	17256208-000	1
22	Strap	89669212-000	3
23	Boot, Duct	17269206-000	1
24	Strap	89669204-000	1
25	Boot, Duct	17269203-000	1
26	Duct, Inlet	1725555E-000	1

**D-16: EXHAUST PIPE**



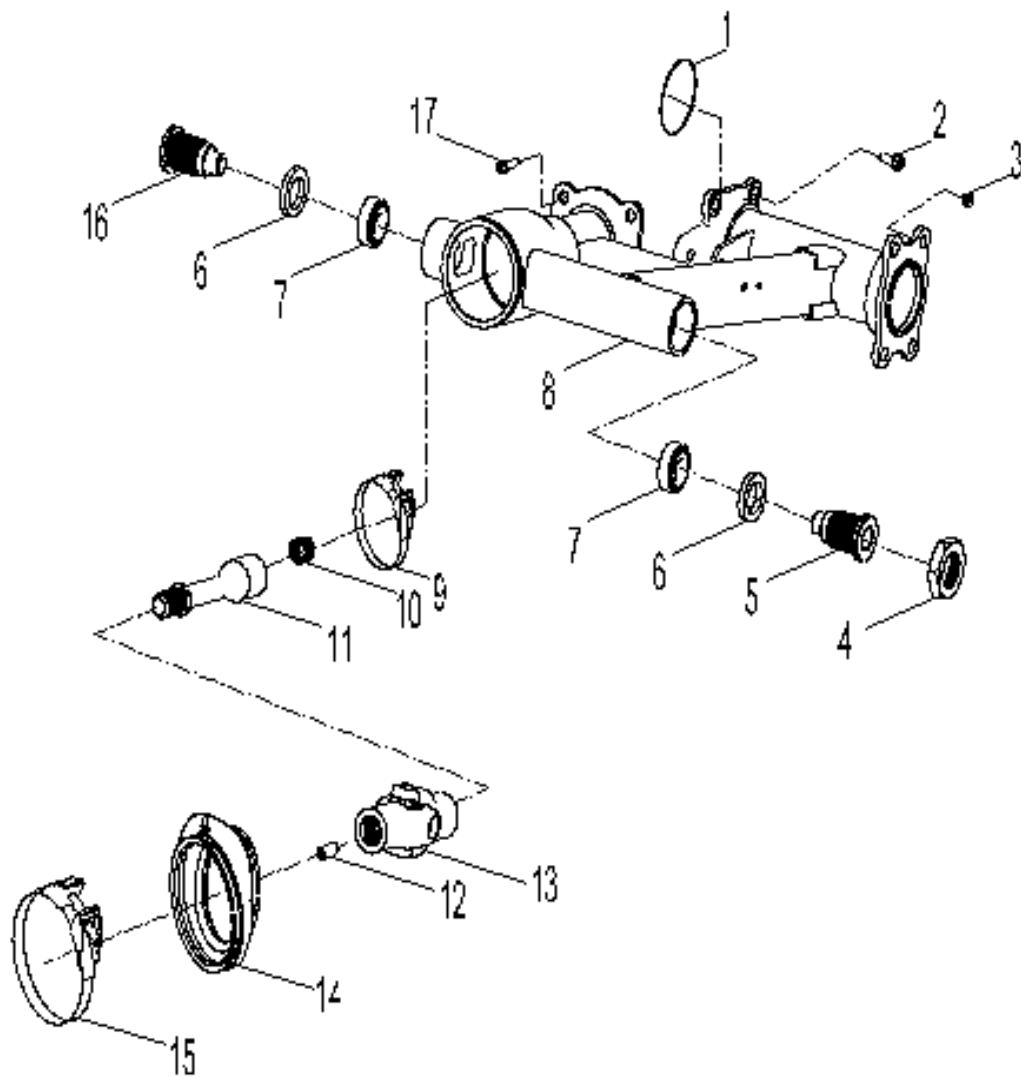
ITEM	DESCRIPTION	P/N	Q"TY
1	Bolt	96000-060128-10K	8
2	Washer, Star	94103-0600000-00C	8
3	Shield, Exhaust	18315215-000	1
4	Shield, Exhaust	1831555E-000	2
5	Gasket	1829162E-000	1
6	Nut	94050-08000-00C	2
7	Asm., Exhaust Pipe	18300269-000	1
8	Bushing	96400-082614	2
9	Bolt	96000-080258-00K	2

**D-17: FRAME BODY**



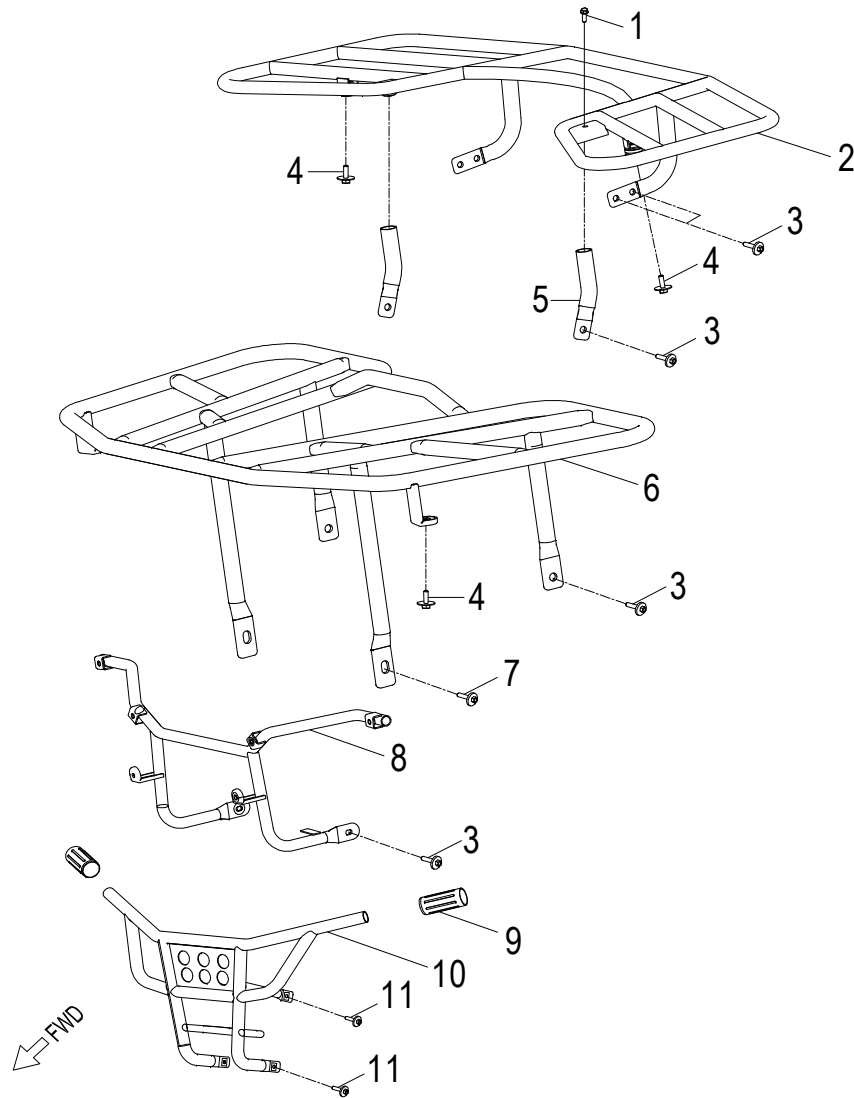
ITEM	DESCRIPTION	P/N	Q"TY
1	Strap	89569131-000	10
2	Bolt	96000-101309-00Z	1
3	Bolt	96000-080128-OKL	8
4	Bracket, Footwell	5110555E-000	2
5	Bolt	96000-102008-00B	1
6	Bolt	96000-100209-OGL	4
7	Mounting, Engine, Lh	50902206-000	1
8	Shield, Chassis	50106203-000	1
9	Bolt	92005-060168-00K	5
10	Asm., Frame	50100349-067	1
11	Mounting, Engine, Rh	50908206-000	1
12	Nut	90350-10000-00C	1
13	Cable, Shift	21335210-000	1
14	Cable, Shift	21335209-000	1
15	Bolt	96000-060128-10K	3
16	Asm., Shift Lever	2135055E-000	1
17	Bolt	96000-080128-00K	1
18	Washer	94101-1030020-00K	1
19	Clip, Cir	94511-2400S	1
20	Gear Selector	2131955E-000	1
21	Bolt	96000-050088-00K	2
22	Screw	93903-1030108-00K	2
23	Screw	93903-1040088-00K	2
24	Cover	21327204-000	1
25	Plate, Shift	2133655E-000	1
26	Spring, Shift	2132050A-000	1
27	Knob, Transmission Lever	21328203-000	1
28	Clip, Spring	94661-21012	1
29	Rubber, shift lever	2133455E-000	1
30	Screw	93100-050108-00K	1
31	Linkage, Shift Lever	2133850A-000	1
32	Sleeve, Shift Lever	2134555E-000	1
33	Mounting, Shift Lever	2134355E-000	1
34	Bolt	96000-080168-OKL	2
35	Boot, Shift Arm	3150355E-000	1
36	Foam, battery	81113203-000	4
37	Trim, Rubber	50811202-000	1

**D-18: REAR SWIM ARM ASSEMBLY**



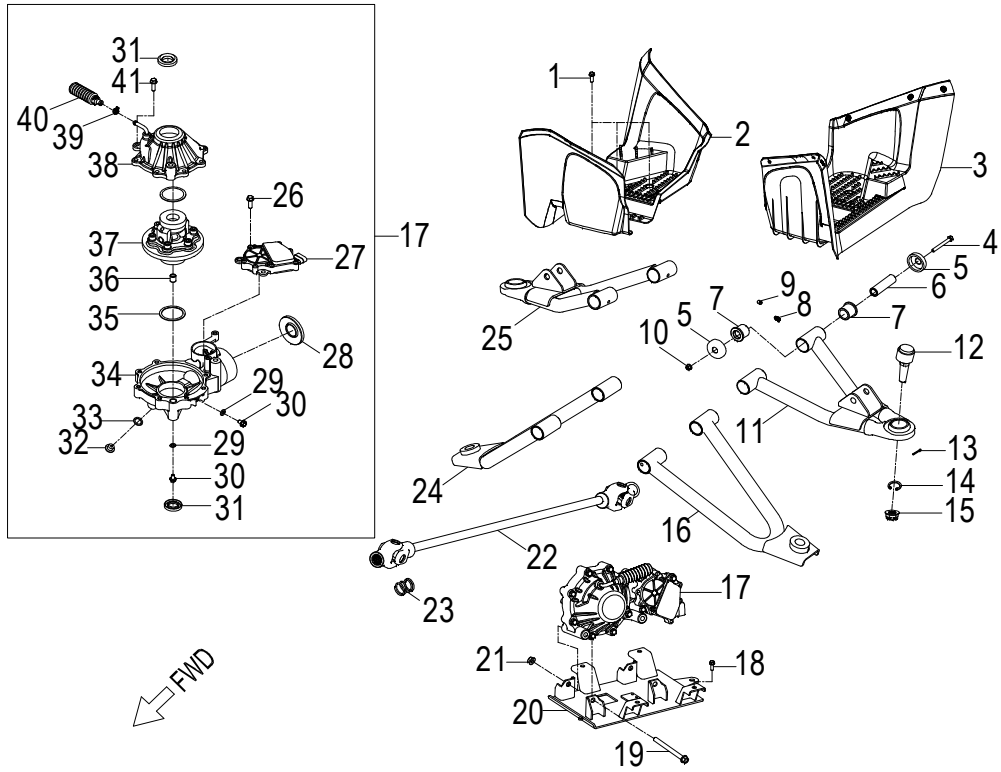
ITEM	DESCRIPTION	P/N	Q"TY
1	O-Ring	93210-07531	2
2	Bolt	96000-100308-OBL	4
3	Nut	90355-10000-14C	4
4	Nut	94001-30000-46C	1
5	Bolt	91000-300698-00C	1
6	Seal, Oil	96500-264006A7271	2
7	Bearing	96150-17401-30000	2
8	Arm, Swing	52410240-067	1
9	Strap	8966939A-001	1
10	Spring	4054139A-000	1
11	Shaft, Drive	5244055E-000	1
12	Tube, Spacer	42810228-000	1
13	Joint, Universal	52450204-000	1
14	Boot	1721962F-000	1
15	Strap	89669211-000	1
16	Bolt	91000-300608-00C	1
17	Bolt	96000-100258-OBL	4

**D-19: BUMPER**



ITEM	DESCRIPTION	P/N	Q"TY
1	Bolt	96000-080148-OKL	2
2	Rear Rack	8111155E-067	1
3	Bolt	92001-080208-OKL	10
4	Bolt	96007-060228-00K	4
5	Bracket, Rear	81122203-067	2
6	Bracket, Front Rack	50495212-067	1
7	Bolt	96007-060168-00K	2
8	Bracket, Bumper	50450241-067	1
9	Boot	50423205-000	2
10	Bumper	5045562F-067	1
11	Bolt	92001-080168-OKL	4

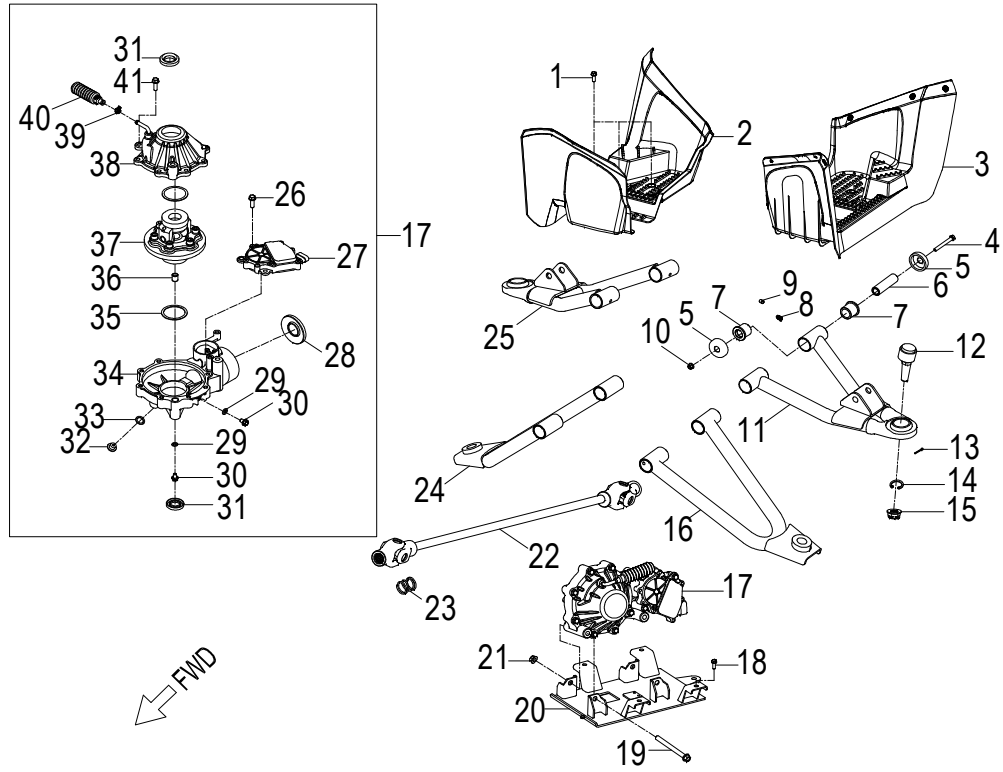
**D-20: SWING ARM, FOOTREST**



ITEM	DESCRIPTION	P/N	Q"TY
1	Bolt	96007-060168-00K	6
2	Footwell, RH	6430055E-000	1
3	Footwell, LH	6431055E-000	1
4	Bolt	96000-100758-OKL	8
5	Cap, dustproof	52426156-000	16
6	Spacer	5314039A-000	8
7	Bushing	53135203-000	8
8	Valve, Grease	51300131-000	8
9	Cap, Valve, Grease	51301131-000	8
10	Nut	94050-10000-00C	8
11	A-Arm, Upper, Lh	5313262F-067	1
12	Ball Joint	52451204-000	4
13	Pin, Cotter	94201-23250	4
14	Clip, Cir	94511-3113S	4
15	Nut, Lock	90351-12000-00C	4
16	A-Arm, Lower, Lh	5313162F-067	1
17	Asm., Gear Case, Differential	4276062F-000	1
18	Bolt	96000-080148-OKL	4
19	Bolt	96000-101108-00C	2
20	Engine Mounting	50210213-067	1
21	Nut	90355-10000-14C	2
22	Linkage	52437212-000	1
23	Spring, Prop Shaft	11705202-000	1
24	A-Arm, Lower, Rh	5303162F-067	1
25	A-Arm, Upper, Rh	5303262F-067	1
26	Bolt	96000-080258-00C	3
27	Selecting, 2WD/4WD	42765201-000	1
28	Seal, Oil	96500-327508A7271	1
29	Washer	94101-0816020-00L	2
30	Bolt	96000-080128-12C	2
31	Seal, Oil	96500-254507A7271	2
32	Bolt, Filler	42766201-000	1
33	Washer	94101-1422010-0AL	1
34	Asm., Housing, Differential	42761202-000	1
35	Shim, Set	42763201-000	1
36	Pin, Dowel	94301-14160	1
37	Asm., Gear, Differential	42764201-000	1
38	Cover, Differential	42762201-000	1
39	Clamp	94515-10008	1
40	Bellows	16600202-000	1

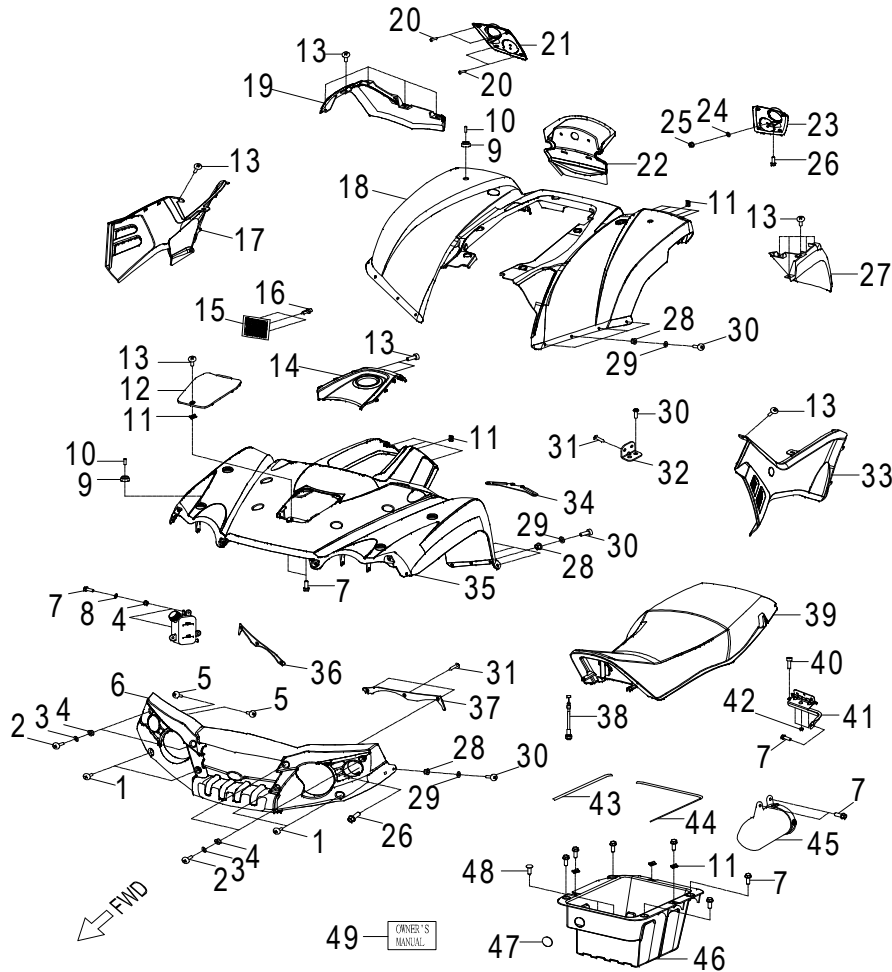
**D-20: SWING ARM, FOOTREST**

ITEM	DESCRIPTION	P/N	Q"TY
41	Bolt	96000-080308-12C	8



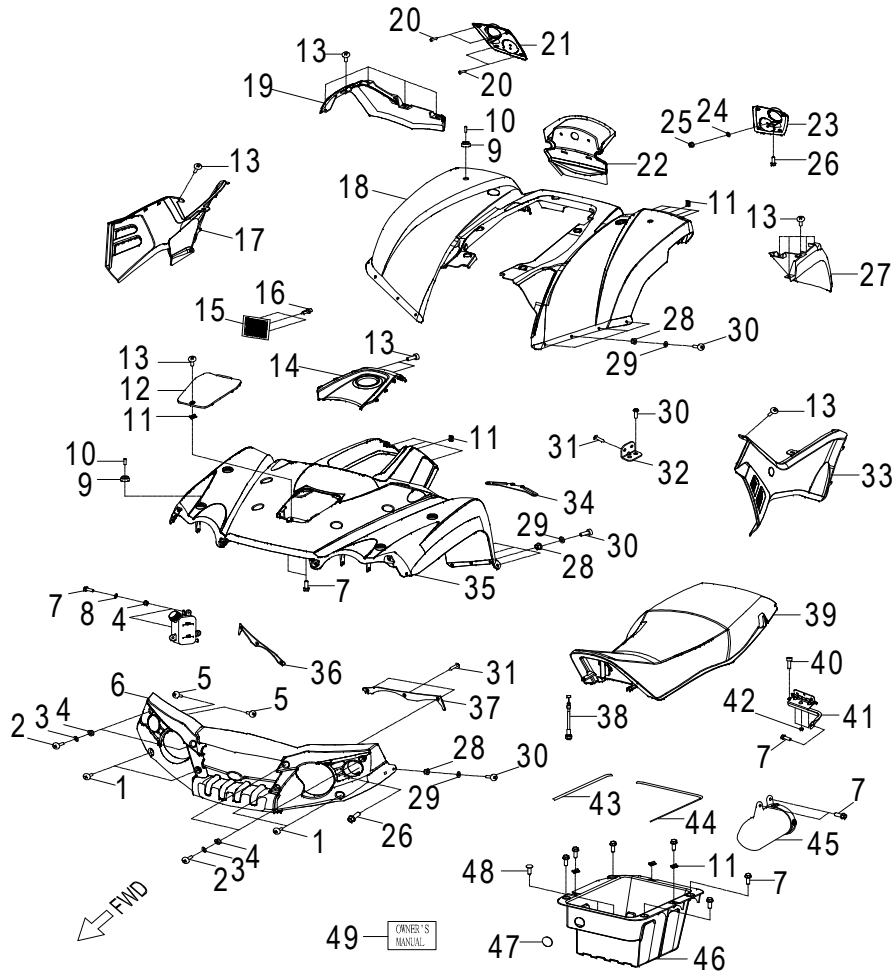


**D-21: CAB/SEAT**



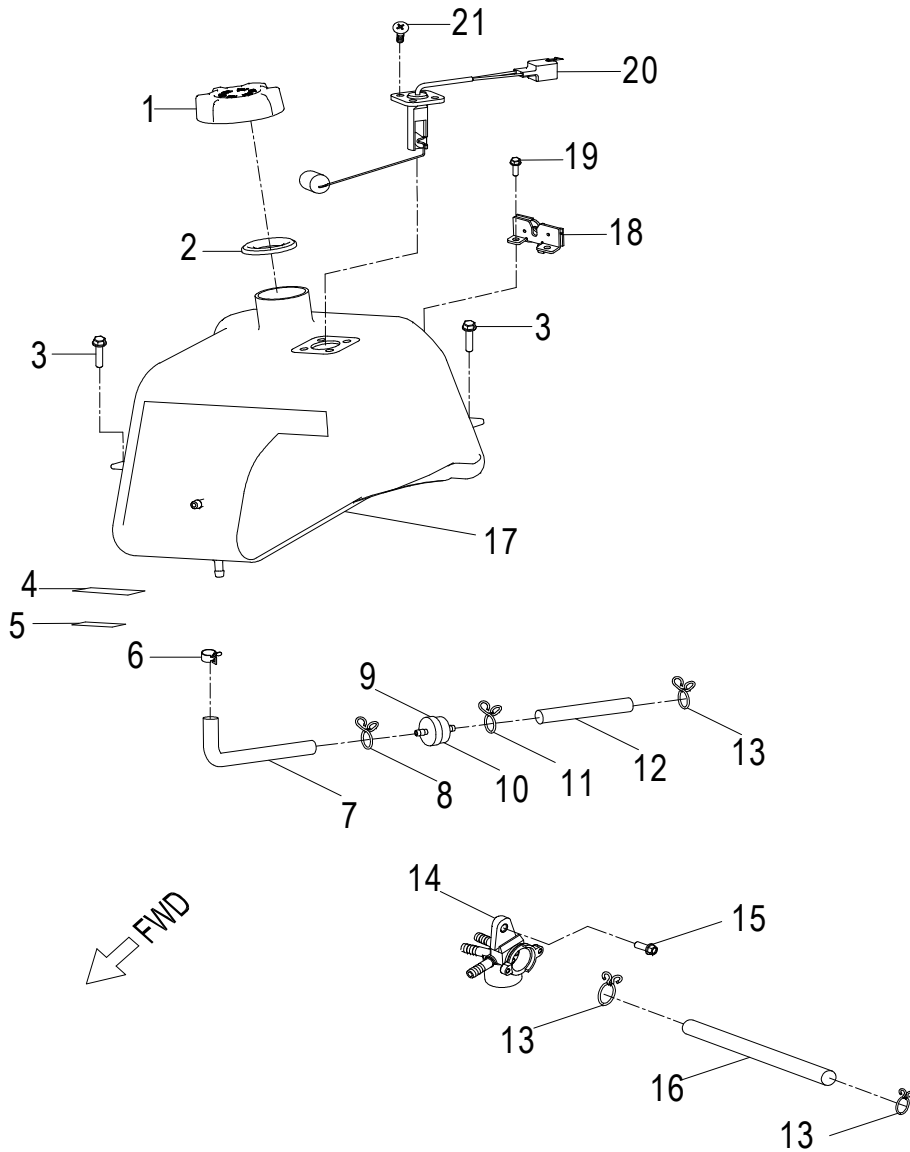
ITEM	DESCRIPTION	P/N	Q"TY
1	Bolt	93800-060148-00K	4
2	Bolt	93800-060208-00K	4
3	Washer	94101-0618010-00K	4
4	Nut	90350-06000-00K	6
5	Bolt	93100-050128-00K	4
6	Cover, Front Bumper	50461218-000	1
7	Bolt	96007-060168-00K	14
8	Washer	94101-0613010-00K	2
9	Foam	17502204-000	4
10	Spacer	51311203-000	4
11	U-Nut	90344-06000-00C	18
12	Front Fender Cover(Small)	61151201-116	1
		61151201-507	
		61151201-620	
13	Bolt	93800-060168-00K	15
14	Cover, Fuel Tank	17555208-000	1
15	Net, Rubber	61103201-000	2
16	Rivet, Plastic	61120153-000	6
17	Panel, Side, RH	8350055E-000	1
18	Cab, Rear	6100055E-116	1
		6100055E-507	
		6100055E-620	
19	Fender, Rear, RH	62810204-000	1
20	Screw	93903-2040128-00K	8
21	Cover, Rear Signal, RH	3380155E-000	1
22	License Plate	3370855E-000	1
23	Cover, Rear Signal, LH	3385155E-000	1
24	Washer	94101-0619010-00C	2
25	Nut	94050-06000-00C	2
26	Bolt	96000-060108-10K	4
27	Fender, Rear, LH	62820204-000	1
28	Nut	90350-05000-00K	18
29	Washer	94101-0514010-00K	18
30	Bolt	93100-050168-00K	20
31	Screw	93903-1050128-00K	8
32	Bracket, lock, hood	83604201-000	1
33	Panel, Side, LH	83600215-000	1
34	Bracket, striker, key	77235201-001	1

**D-21: CAB/SEAT**



ITEM	DESCRIPTION	P/N	Q"TY
35	Cab, Front	61100216-116	1
		61100216-507	
		61100216-620	
36	Guard, Mud, RH	50468201-000	1
37	Guard, Mud, LH	50467201-000	1
38	Cable, Lock	77232202-000	1
39	Seat	77200266-000	1
40	Bolt	91000-060208-00K	1
41	Hinge, Seat	77223201-000	1
42	Nut	90355-06000-10K	3
43	Trim, Rubber	94430-00000-405	1
44	Trim, Rubber	94430-00000-815	1
45	Asm,Toolbox	8912355E-000	1
46	Luggage Box	77226201-000	1
47	Boot	50423203-000	1
48	Plug, Rubbe, Hood	50424203-000	2
49	Manual, Owner's	88510273-000	1

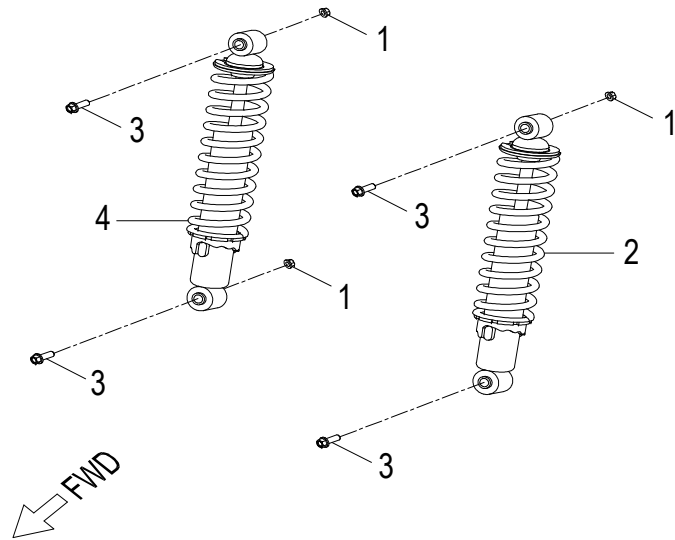
**D-22: FUEL TANK**



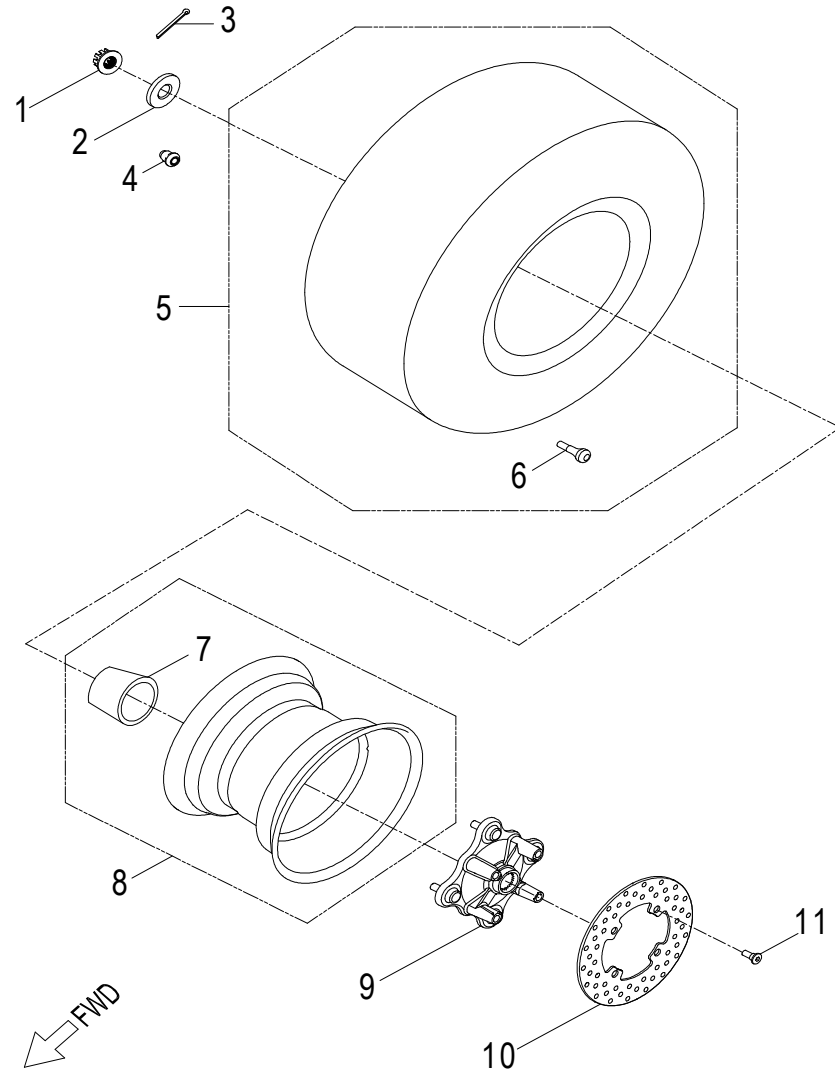
ITEM	DESCRIPTION	P/N	Q"TY
1	Asm., Cap, Fuel Tank	17620202-000	1
2	Collar, Fuel Tank	17507201-000	1
3	Bolt	92005-060208-00K	3
4	Decal, Insulation	87011211-000	1
5	Decal, Insulation	87011212-000	1
6	Clamp	94515-10008	1
7	Fuel hose	94412-05009-105	1
8	Clip	94510-08008	1
9	Clamp	1795955E-000	1
10	Filter, Fuel	17952111-000	1
11	Clip	94510-09012	1
12	Asm., Hose, Fuel	94410-05009-012	1
13	Clip	94510-08012	3
14	Valve, Fuel	17950111-000	1
15	Bolt	96000-060168-10K	1
16	Asm., Hose, Fuel	94410-05009-058	1
17	Asm., Tank, Fuel	1750055E-001	1
18	Lock striker	77231180-000	1
19	Bolt	96000-060148-10K	2
20	Sensor, Fuel	37800203-000	1
21	Bolt	93100-050168-00K	4

**D-23: SUSPENSION**

ITEM	DESCRIPTION	P/N	Q"TY
1	Nut	94050-10000-00C	5
2	Asm., Suspension, Rear	52400250-038	1
3	Bolt	96000-100508-0KL	6
4	Asm., Suspension, Front	5110062F-038	2

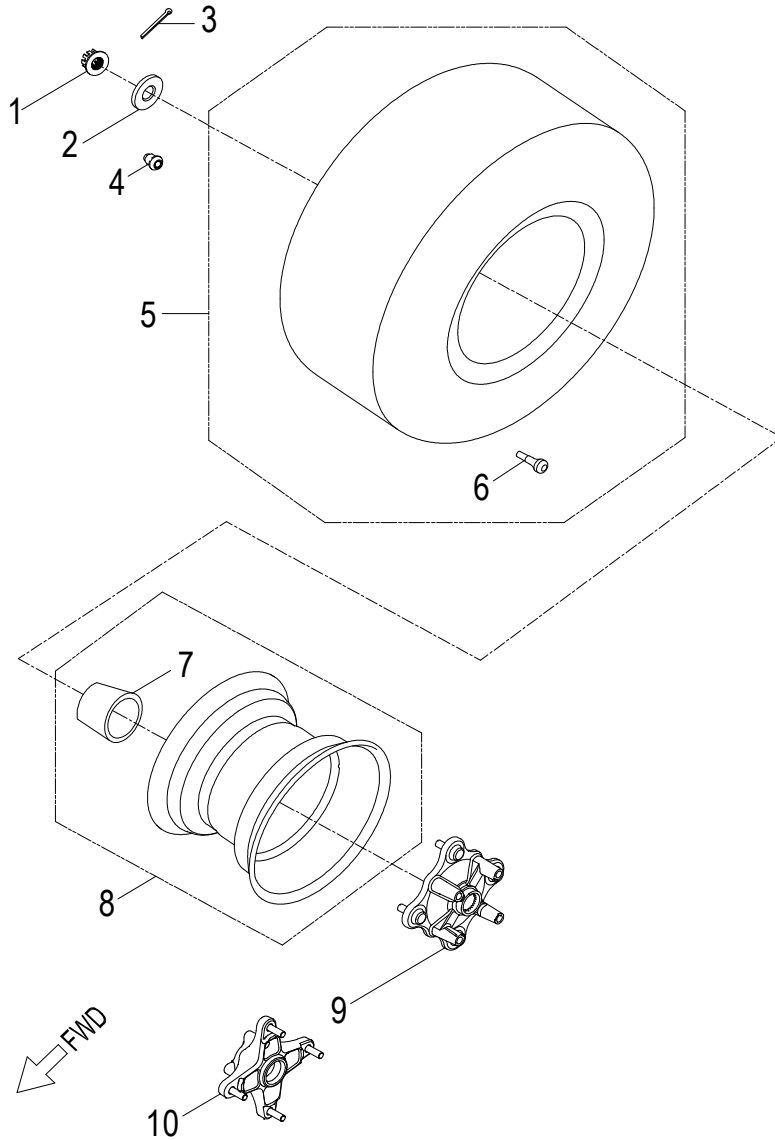


**D-24: FRONT WHEEL**



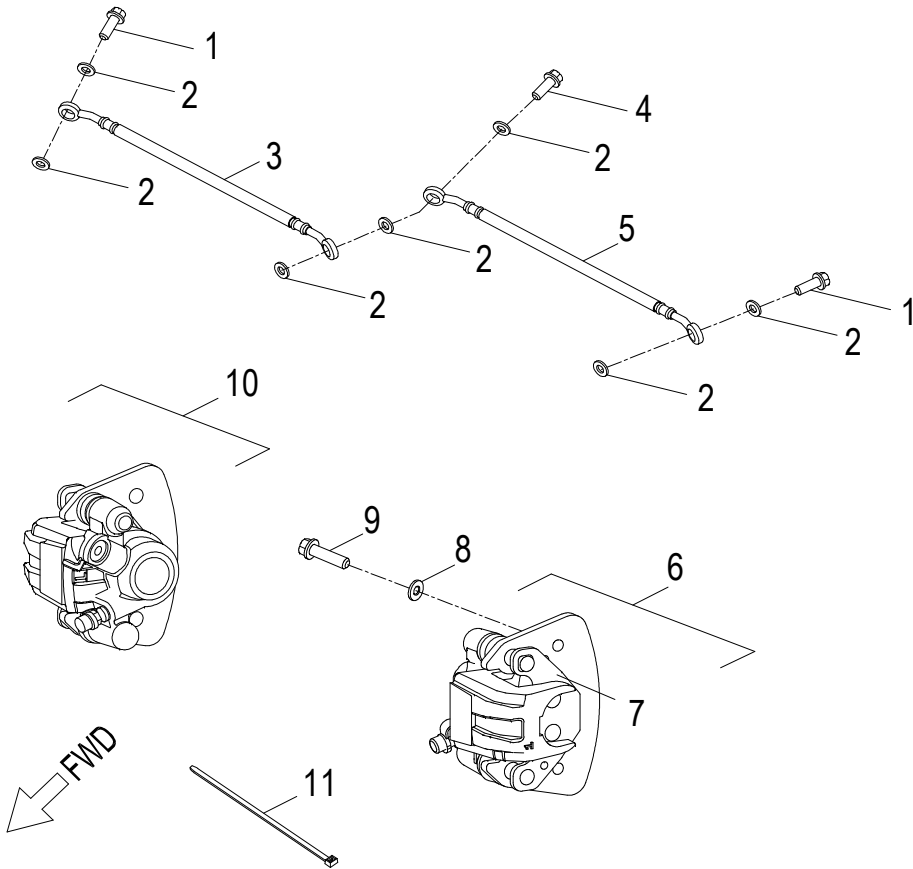
ITEM	DESCRIPTION	P/N	Q"TY
1	Nut	90352-18000-00C	2
2	Washer	94121-1835200-000	2
3	Pin, Cotter	94201-32320	2
4	Nut	95112-10000-14B	8
5	Tire	42711258-000	2
6	Valve, Rim	42616201-000	2
7	Dust Cover, Hub	42717203-000	2
8	Front Rim	42702205-000	2
9	Wheel Hub	42010207-000	2
10	Plate, Front Brake, LH	45010203-000	2
11	Bolt	45016131-00K	8

**D-25: REAR WHEEL**



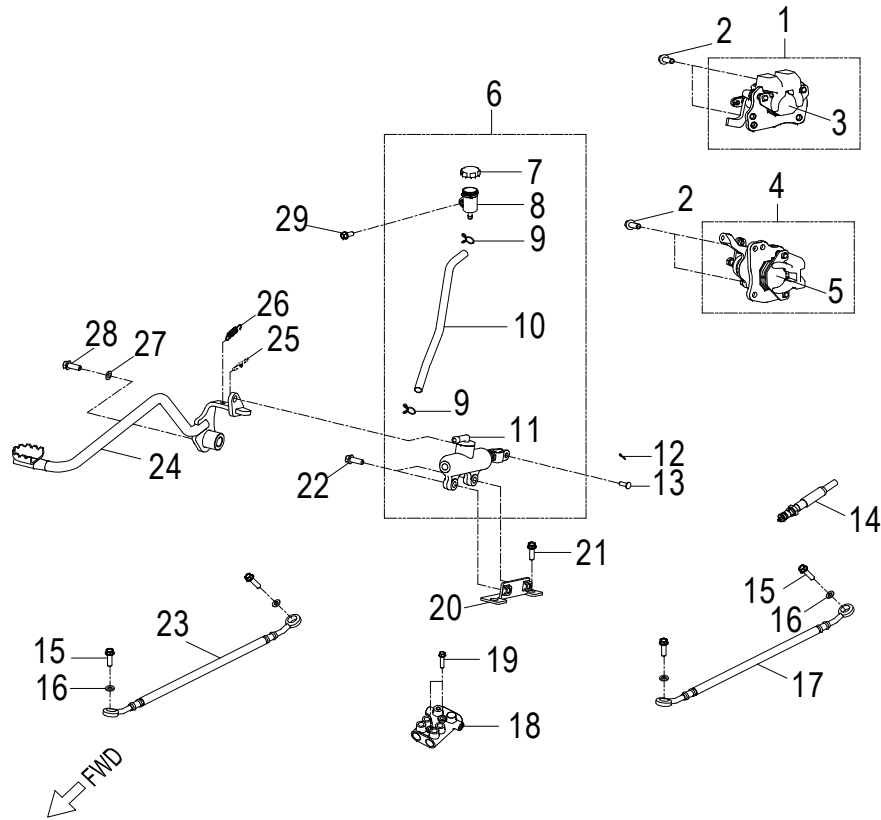
ITEM	DESCRIPTION	P/N	Q"TY
1	Nut	90352-18000-00C	2
2	Washer	94121-1835200-000	2
3	Pin, Cotter	94201-32320	2
4	Nut	95112-10000-14B	8
5	Tire	42811252-000	2
6	Valve, Rim	42616201-000	2
7	Dust Cover, Hub	42717204-000	2
8	Rear Rim(Aluminum)	42802205-000	2
9	Hub, Wheel, RH	4202039L-000	1
10	Hub, Wheel, LH	4203039L-000	1

**D-26: FRONT BRAKE**



ITEM	DESCRIPTION	P/N	Q"TY
1	Bolt, Banjo	45456111-000	2
2	Washer	94101-1015012-U0B	7
3	Hose, Brake	45447237-000	1
4	Bolt, Banjo	45456202-000	1
5	Hose, Brake	45447236-000	1
6	Asm., Caliper, LH	45001205-001	1
7	Pads, Caliper, Front	43121208-000	2
8	Washer	94101-0816020-00C	4
9	Screw	96002-080308-00K	4
10	Asm., Caliper, RH	45002205-001	1
11	Strap	89569131-000	8

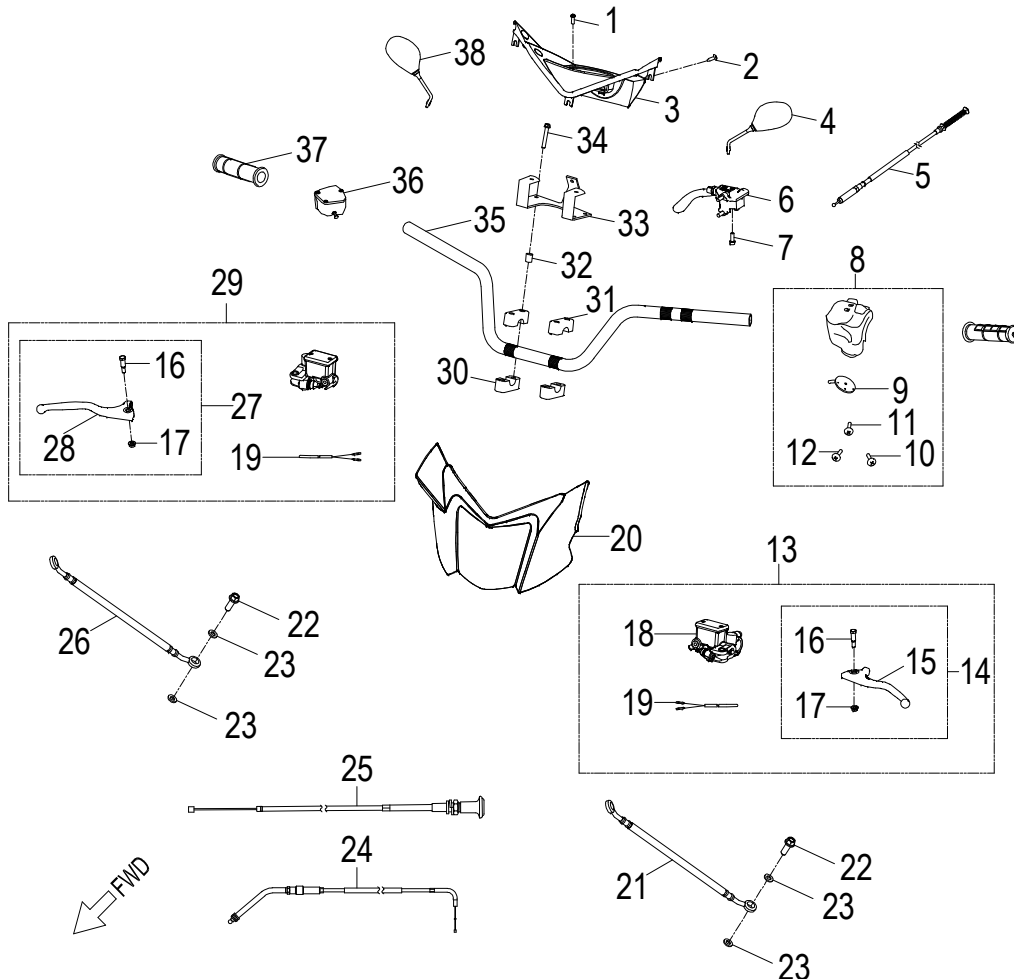
**D-27: REAR BRAKE**



ITEM	DESCRIPTION	P/N	Q"TY
1	Asm., Parking Brake, LH	43205202-001	1
2	Bolt	96000-100208-OKL	4
3	Pads, Parking Brake	43201201-000	1
4	Asm., Caliper, Rear	4500055E-000	1
5	Pads, Brake	45120182-000	1
6	Asm., Master Cylinder	4350062F-000	1
7	Cap, Oil Tank	43016201-000	1
8	Oil Tank, Brake	43503204-000	1
9	Clamp	94515-12008	2
10	Hose, Brake	4544762F-000	1
11	Master Cylinder	4350155E-000	1
12	Cotter Pin	94203-12200	1
13	Pin	94302-07018	1
14	Switch, Brake	34916201-000	1
15	Bolt, Banjo	45456111-000	5
16	Washer	94101-1015012-U0B	10
17	Hose, Rear Brake, Lower	45449223-000	1
18	Brake Shunt	45470201-000	1
19	Bolt	91000-080408-00C	2
20	Bracket, Master Cylinder	43417208-067	1
21	Bolt	96000-080148-00K	2
22	Bolt	92001-080258-00K	2
23	Hose, Rear Brake, Lower	45449222-000	1
24	Pedal, Brake	4345662F-067	1
25	Spring, Switch	43422202-000	1
26	Spring, Brake	50507002-000	1
27	Washer	94101-0822020-00C	1
28	Bolt	96000-080168-00K	1
29	Bolt	96000-060128-OKL	1

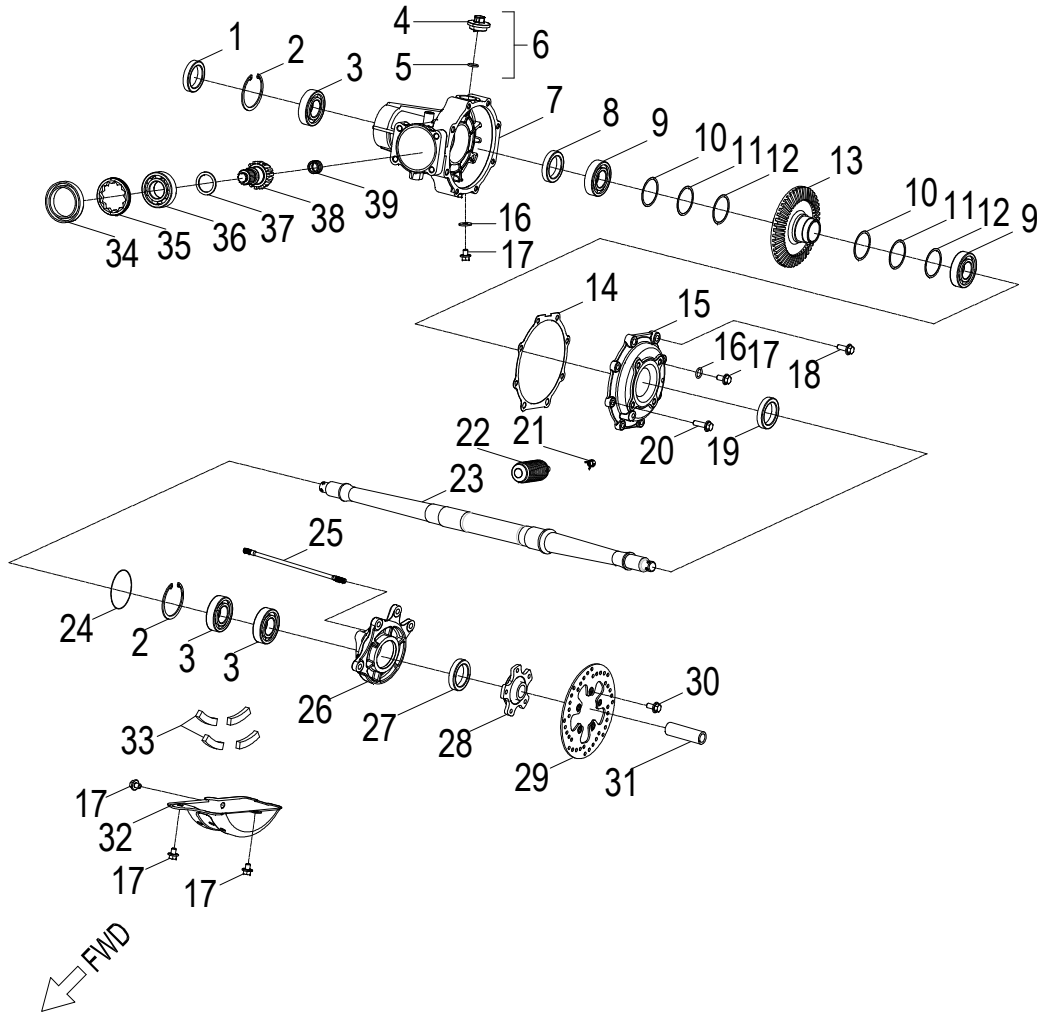


**D-28: HANDLEBAR**



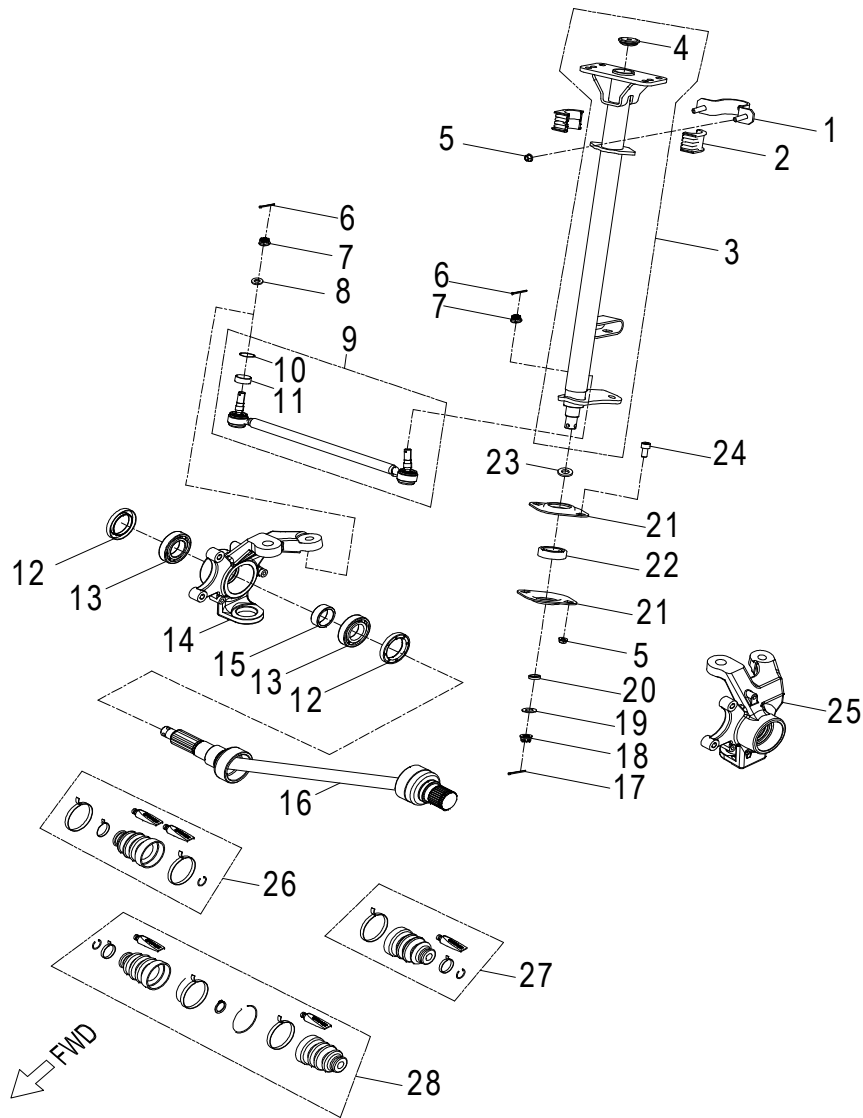
ITEM	DESCRIPTION	P/N	Q"TY
1	Screw	93100-050208-00K	3
2	Screw	93903-1040128-00K	3
3	Pod, Handlebar	64211226-000	1
4	Mirror, LH	88120201-001	1
5	Cable, Parking Brake	38706213-001	1
6	Lever, Parking Brake	3871055E-000	1
7	Bolt	91000-060208-00K	2
8	Asm., Switch, LH	35151227-001	1
9	Asm., Manual Choke	35160201-000	1
10	Bolt	93500-030068-00C	1
11	Bolt	93500-060088-00K	1
12	Screw	93100-030048-00B	2
13	Asm., Lever LH	53171219-000	1
14	Asm., Lever, LH	53163208-000	1
15	Lever, Brake, LH	53178208-000	1
16	Bolt	89220202-000	2
17	Nut	94073-06006-00K	2
18	Master Cylinder, Left	53185219-000	1
19	Sensor, Taillight	35345201-000	2
20	Cover, Handlebar, Lower	64212204-116 64212204-507 64212204-620	1
21	Hose, Front Brake, Upper	45448208-000	1
22	Bolt, Banjo	45456111-000	4
23	Washer	94101-1015012-U0B	8
24	Cable, Throttle	53910223-000	1
25	Choke, Cable, Manual	53922213-000	1
26	Hose, Front Brake, Upper(R)	45474201-000	1
27	Asm., Lever, RH	53164206-000	1
28	Lever, Brake, RH	53175206-000	1
29	Asm., Lever, RH	53172216-000	1
30	Clamp, Lower	5320039A-000	2
31	Clamp, Upper	5321039A-000	2
32	Spacer	51311131-000	4
33	Bracket, Pod	53310218-000	1
34	Bolt	96000-080768-12B	4
35	Handlebar	5310055E-067	1
36	Control, Throttle	5390055E-000	1
37	Grip, Handlebar	53167201-000	2
38	Mirror, RH	88110204-000	1

**D-29: REAR WHEEL AXLE**



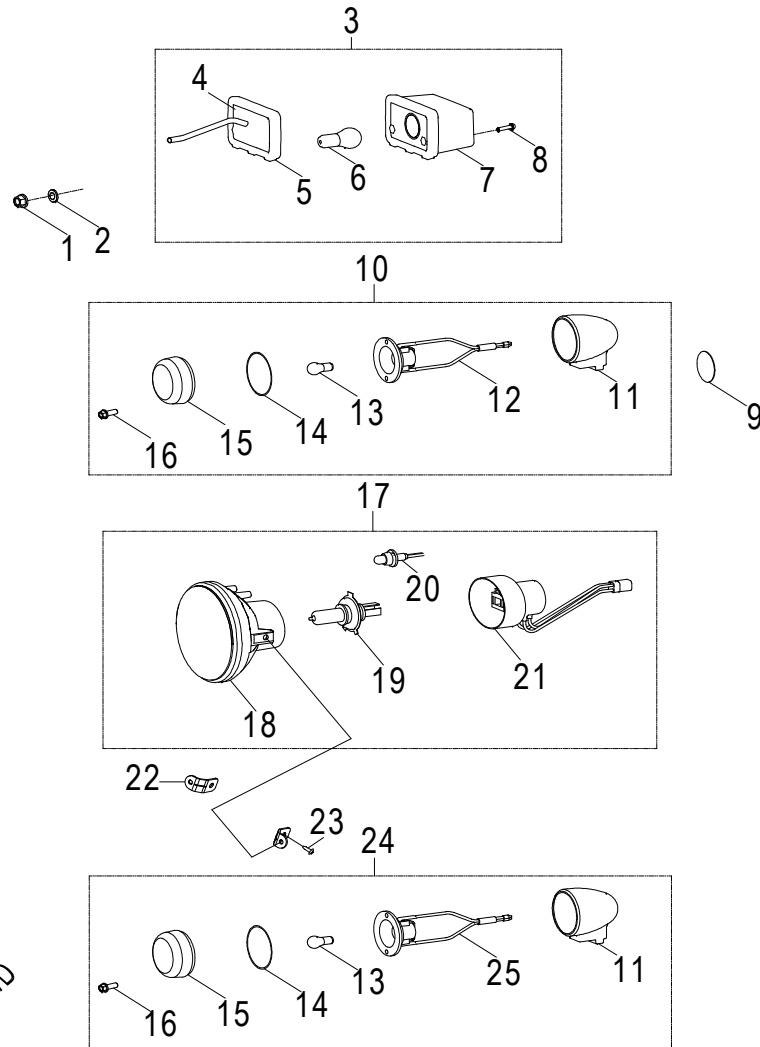
ITEM	DESCRIPTION	P/N	Q"TY
1	Seal, Oil	96500-306207A7271	1
2	Clip, Cir	94512-6200R	2
3	Bearing, Ball	96100-6206-LLUC3/ZG	3
4	Plug, Drain, Oil	11334119-000	1
5	O-Ring	93210-03132	1
6	Asm., Cap	1542539A-000	1
7	Gearcase	4210039B-001	1
8	Seal, Oil	96500-415607A7271	1
9	Bearing, Ball	96100-69090-00000	2
10	Shim	42401201-000	2
11	Shim	42401202-000	2
12	Shim	42401203-000	2
13	Gear, Bevel	42320203-000	1
14	Gasket, Cover	4229139A-002	1
15	Cover, Gearcase	4220055E-000	1
16	Washer	94101-0816020-00L	2
17	Bolt	96000-080108-00K	5
18	Bolt	96000-080288-00B	6
19	Seal, Oil	96500-415106A2650	1
20	Bolt	96000-100358-00B	2
21	Clamp	94515-11007	1
22	Bellows	16600201-000	1
23	Axle	4200062F-000	1
24	O-Ring	93210-06725	1
25	Stud	91001-100488-00B	4
26	Housing, Rear axle	4280555E-000	1
27	Seal, Oil	96500-405707A7271	1
28	Hub, Disc	4349055E-000	1
29	Disc, Brake	43511202-000	1
30	Bolt	45016131-00K	5
31	Tube, Spacer	4281062F-000	1
32	Shield, Gearcase	4352639A-067	1
33	Foam	3720439A-000	4
34	Seal, Oil	96500-347210A7271	1
35	Nut	90204-65000-000	1
36	Bearing, Ball	96100-62060-00000	1
37	Shim	4241039A-000	1
38	Gear, Pinion	42310203-000	1
39	Bearing, Needle	96200-142213	1

**D-30: STEERING**



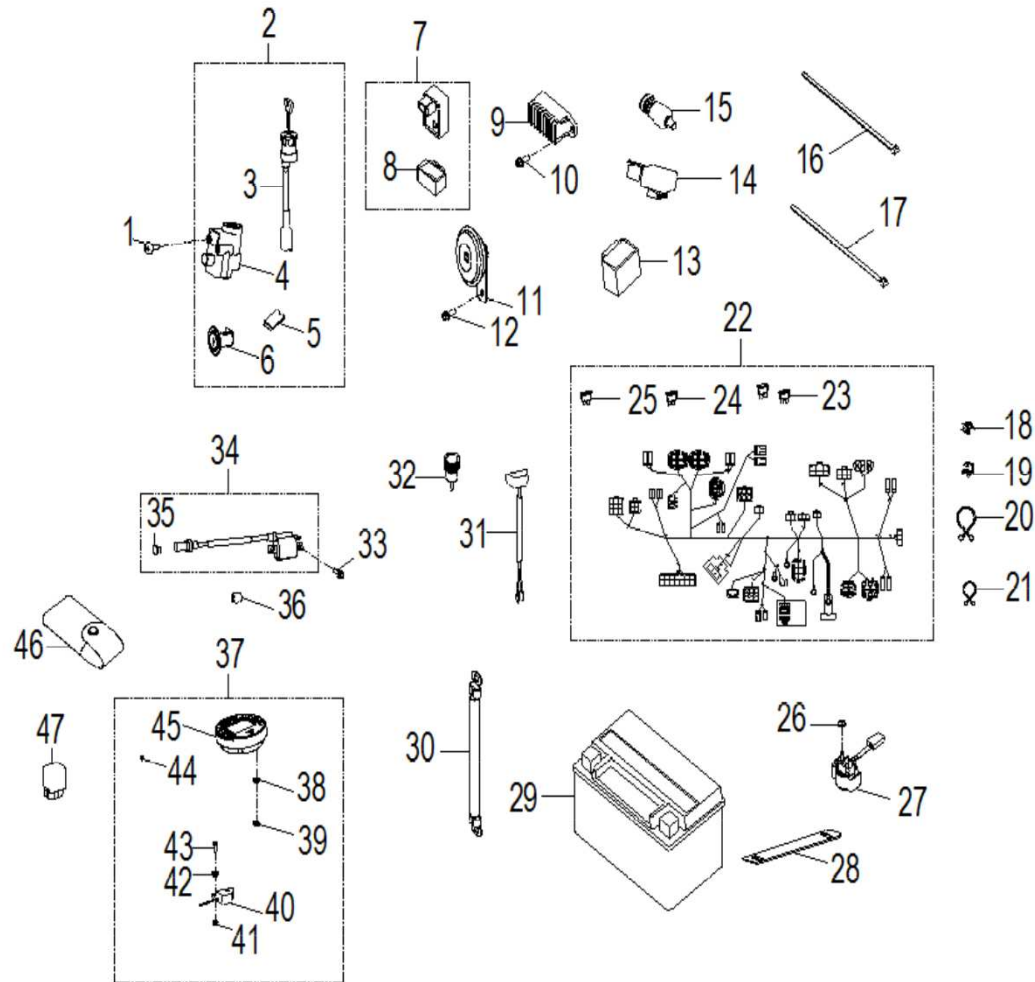
ITEM	DESCRIPTION	P/N	Q"TY
1	Steering Shaft Fix Comp	5349039A-000	1
2	Sleeve, Steering Shaft	5122039A-000	2
3	Shaft, Steering	51107241-067	1
4	Cap, Rubber	19611202-000	1
5	Nut	90355-10000-14C	4
6	Pin, Cotter	94201-23250	8
7	Nut, Lock	90351-12000-00C	4
8	Washer	94101-1225020-00C	4
9	Asm., Tie Rod	5341062F-000	2
10	Ciamp	94514-09255	4
11	Boot	16129201-000	4
12	Seal, Oil	96500-385507A7271	4
13	Bearing, Ball	96100-60060-LLU00	4
14	Asm., Steering Knuckle, RH	51330211-000	1
15	Spacer	44315202-000	2
16	Front driving shaft	4207062F-000	2
17	Pin, Cotter	94201-32320	1
18	Shaft, Prob	90353-18000-00C	1
19	Washer	94121-1835200-000	1
20	Spacer	4431339A-000	1
21	Flangette	5111139A-000	2
22	Bearing, Ball	0490004-000	1
23	Washer	94101-2030020-00C	1
24	Bolt, Carriage	95021-100228-00C	2
25	Asm., Steering Knuckle, LH	51325211-000	1
26	Kit, Boot, Outer	88558201-000	1
27	Kit, Boot, Inner	88558202-000	1
28	Asm., Kit, Boot	88558203-000	1

**D-31: LIGHTS**



ITEM	DESCRIPTION	P/N	Q"TY
1	Nut	94050-06000-00C	2
2	Washer	94101-0619010-00C	2
3	Asm., Taillight	3370039A-000	1
4	Gasket	33716205-000	1
5	Socket, Taillight	33711204-000	1
6	Bulb, Taillight	34906201-000	1
7	Lens, Taillight	33702202-000	1
8	Bolt	93500-035398-SUS	2
9	Reflector	3374155E-000	2
10	Asm., Signal, Front, RH	33400216-000	2
11	Socket Signal	33604201-000	4
12	Socket, Signal, RH	33442201-000	2
13	Bulb, Signal	33905205-000	4
14	O-Ring	93210-04920	4
15	Lens, Signal	33603201-000	4
16	Screw	93903-1030148-00C	8
17	Asm., Headlight	33100231-001	2
18	Lens, Headlight	33110225-000	2
19	Bulb, Headlight	34901205-000	2
20	Bulb, Parking	34909203-000	2
21	Socket, Headlight	33111226-000	2
22	Bracket, Headlight	33201202-000	4
23	Screw	93903-1050128-00K	4
24	Asm., Signal, Front, LH	33450216-000	2
25	Socket, Signal, LH	33441201-000	2

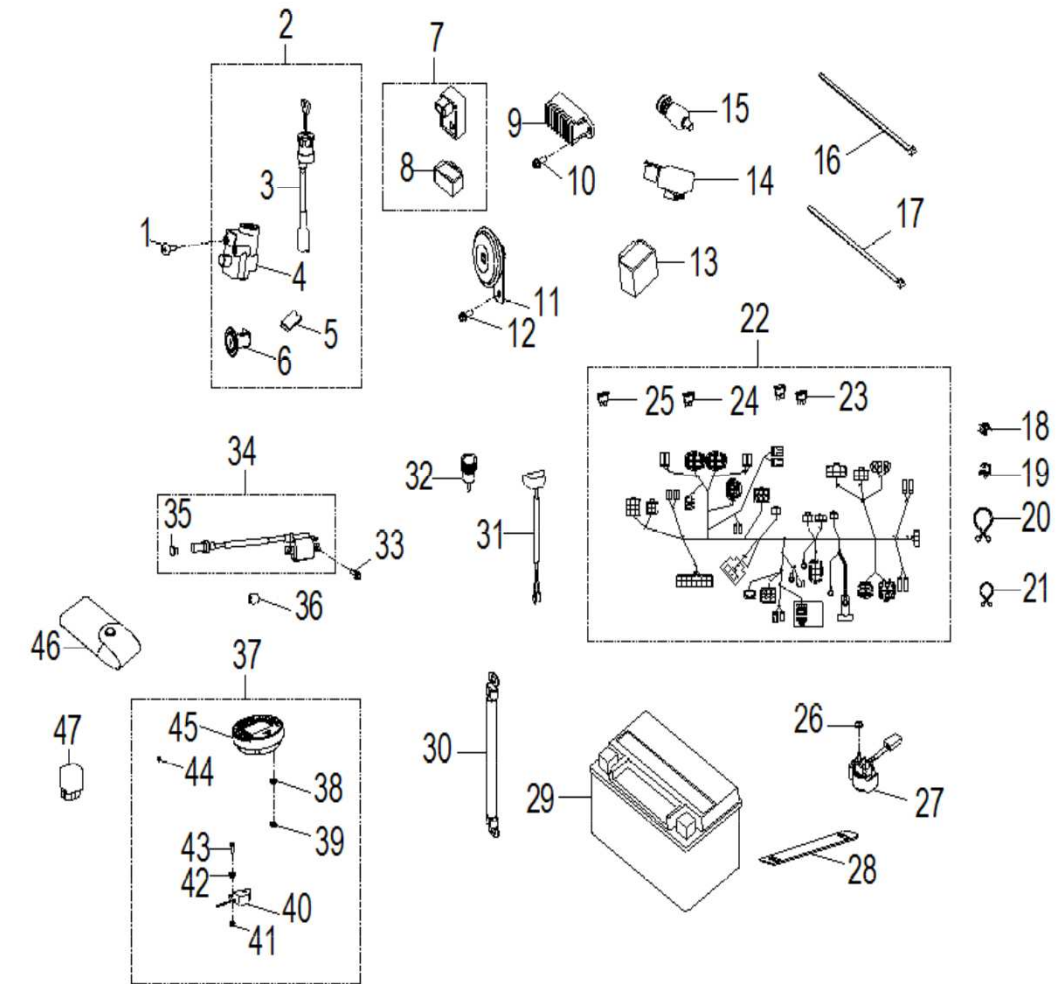
**D-32: ELECTRICAL PARTS**



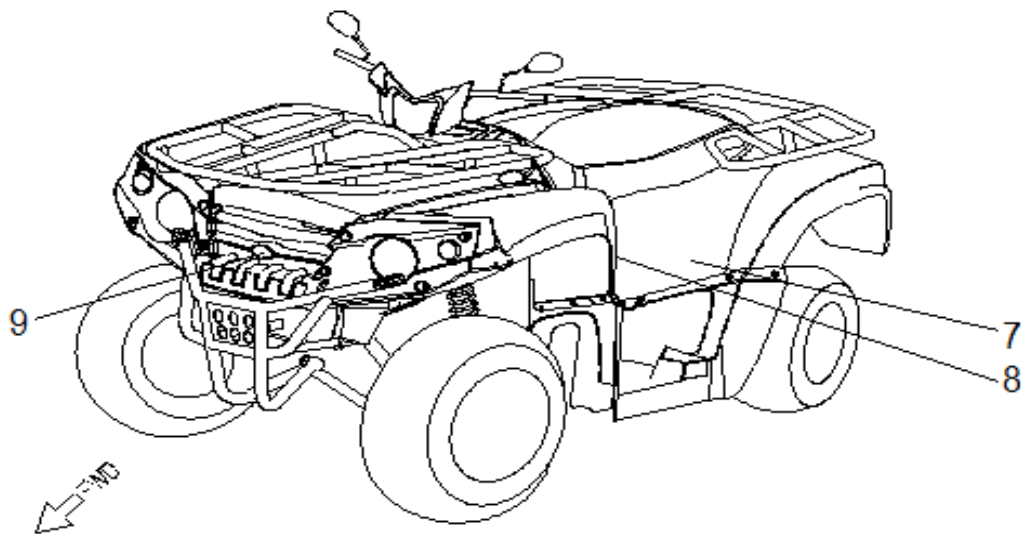
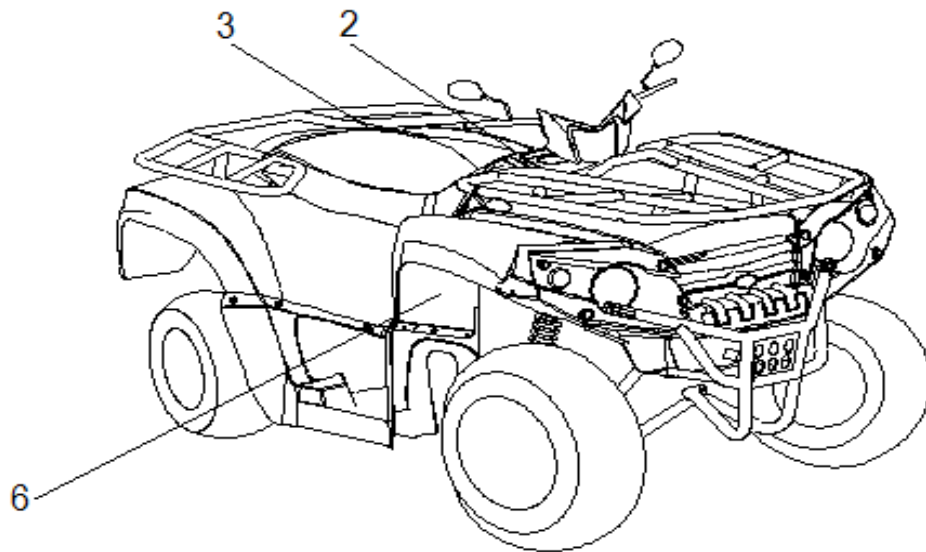
ITEM	DESCRIPTION	P/N	Q"TY
1	Bolt	93100-050128-00K	2
2	Asm., Main Switch	35100277-000	1
3	Switch, Main	35102277-000	1
4	Lock, Steering	35106208-000	1
5	Clip, Main Switch	35101131-000	1
6	Lock, Seat	77233201-000	1
7	Asm., CDI Unit	30410247-000	1
8	Pad, Rubber	30411207-000	1
9	Rectifier/ Regulator	31600215-000	1
10	Bolt	96000-060148-10K	2
11	Horn	38110119-000	1
12	Bolt	96000-080128-0KL	1
13	Fuse Box	32109201-001	1
14	Relay, Parking	38701202-000	1
15	Power Supplier	38130179-000	1
16	Strap	89569131-000	21
17	Strap	89769111-000	1
18	Ground Cable, Battery	89755202-000	2
19	Strap, Oil Hose	89753201-000	1
20	Faxtener, Cable, Steering Shaft	89755215-000	1
21	Cable	89755204-000	2
22	Harness, Main Wire	32100277-001	1
23	Fuse	32106201-000	2
24	Fuse	32106202-000	1
25	Fuse	32106203-000	1
26	Nut	94050-06000-00K	2
27	Starter Relay	38501119-000	1
28	Strap, Battery	89750202-000	1
29	Battery	3150039A-000	1
30	Asm., Battery Cable	3200155E-000	1
31	Switch, 2D/4D	50327202-001	1
32	Relay, Signal	38302204-000	1
33	Bolt	96000-060208-10K	2
34	Asm., Ignition Coil	30510212-000	1
35	Insulator Coil	3060550T-000	1
36	Rubber, Ignition Coil	3070450T-000	1
37	Asm., Speedometer	3720055E-000	1
38	Washer	94101-0613010-00B	2
39	Nut	94001-06000-10B	2
40	Sensor, Speedometer	37206201-000	1

**D-32: ELECTRICAL PARTS**

ITEM	DESCRIPTION	P/N	Q"TY
41	Nut	94001-04000-08B	2
42	Washer, Spring	94111-0412010-00B	2
43	Screw	93100-040128-00B	2
44	Magnet, Speedometer	37203206-000	1
45	Speedometer	3720555E-000	1
46	Pouch, Tool	89120215-000	1
47	Relay, Thermo Switch	5042951T-000	1



**D-33: DECAL**



Item	Description	Part number	Q.ty
2	Decal, Waring, Reverse	87854202-000	1
3	Decal, Warning, Rack	87869131-000	1
6	Decal, Waring, Y-16	87851173-000	1
7	Decal, Drain bolt	87843201-000	1
8	Decal, General Waring	87852159-000	1
-	Decal Kit Crossland RX/X4 400	99700300-116	1
		99700300-507	
		99700300-620	