

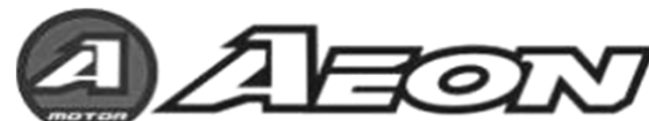
# CROSSLAND 400

# 4X4

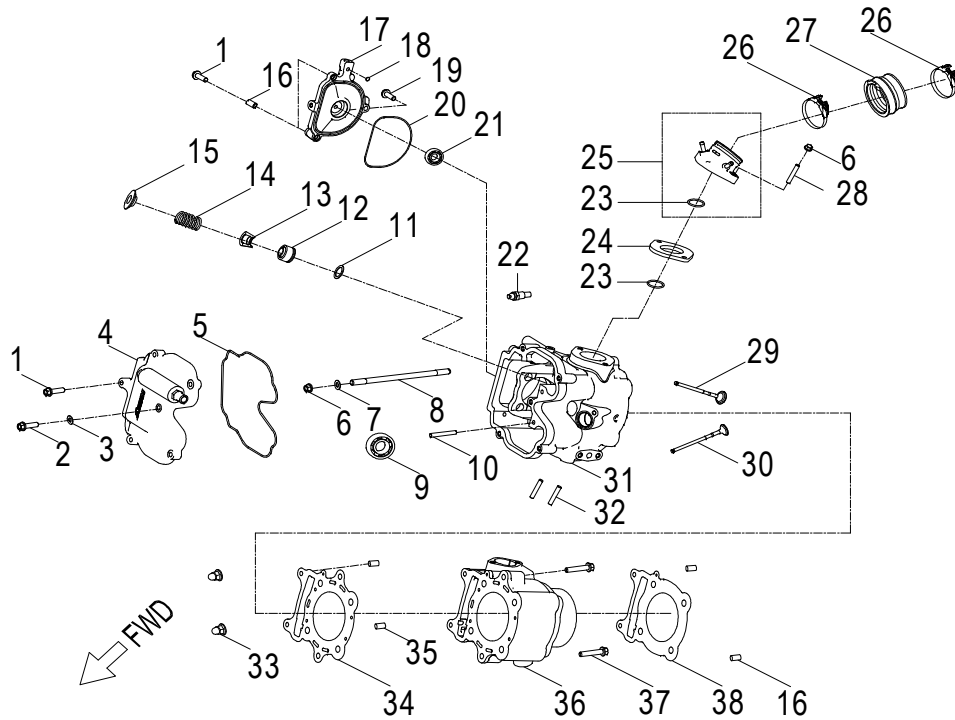


VIN Nंबर:

**RF3UA7710CT000102**

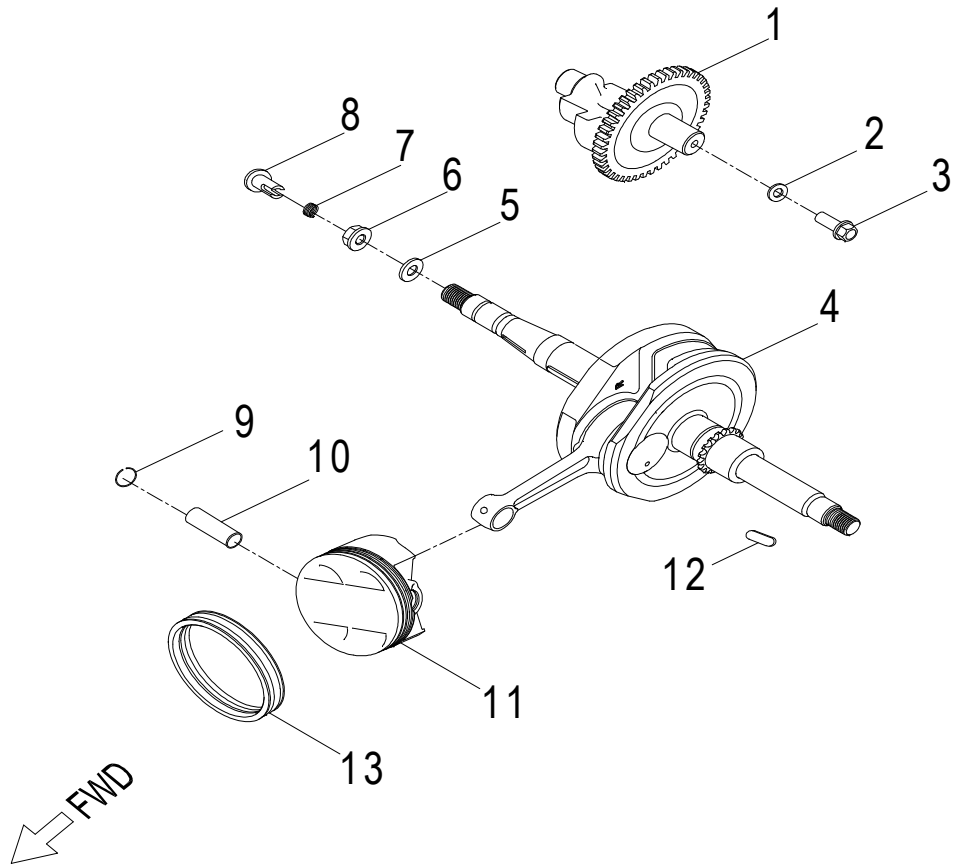


**D-1: CYLINDER & CYLINDER HEAD**



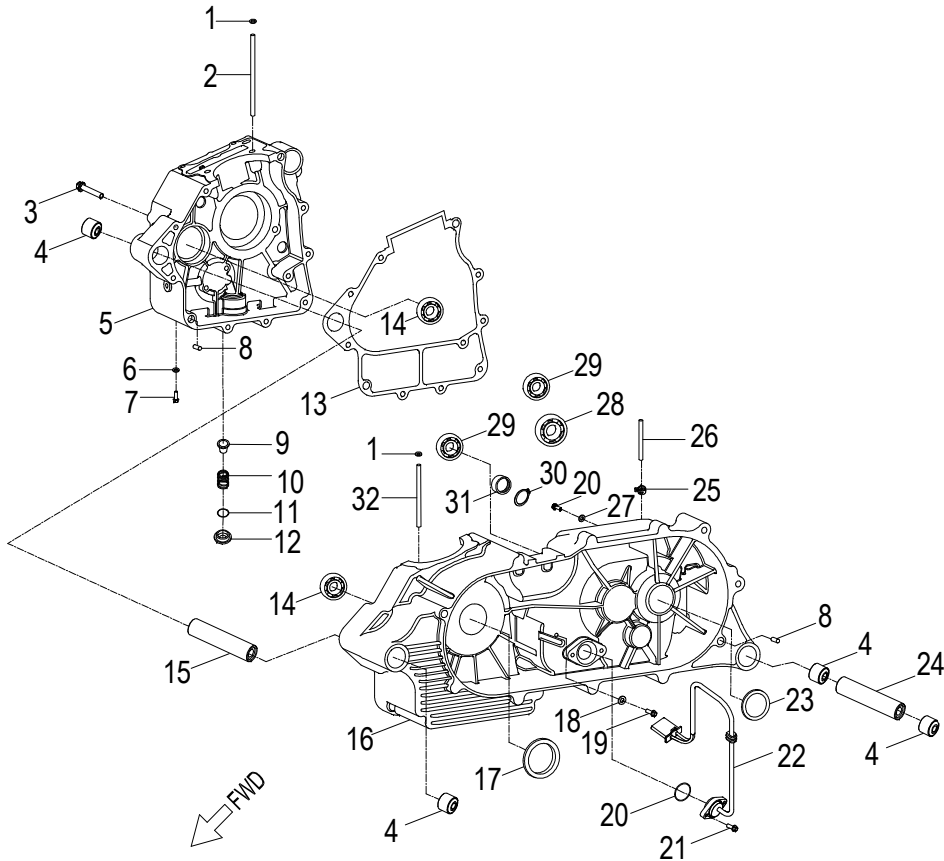
Item	Description	Part number	Q.ty	Note
1	Bolt	96000-060258-08C	7	M6x25
2	Bolt	96000-060308-08C	1	M6x30
3	Washer	94101-0612010-00U	2	6.5x12x1
4	Asm., Head Cover	1231069S-000	1	
5	Gasket , Head Cover	1239169S-000	1	
6	Nut	94050-06000-00C	2	M6
7	Washer	94101-0613020-U00	2	
8	Stud	91001-061158-00C	2	
9	Bearing, Ball	96100-60020-00000	1	
10	Pin, Dowel	1447569S-000	2	
11	Seat, Valve, Spring, Outer	1477569S-000	4	
12	Seal, Valve	1220962B-000	4	
13	Clip, Retainer	1478169S-000	8	
14	Spring, Valve, Outer	1475169S-000	4	
15	Retainer, Valve, Spring	1477169S-000	4	
16	Pin, Dowel	94301-08080	4	
17	Cover, Head , RH	1233169S-000	1	
18	O-Ring	93216-00725	1	
19	Bolt	96000-060208-08C	1	M6x20
20	Gasket, Cam Cover	1233269S-000	1	
21	Bearing, Ball	96100-60000-Z00C3	1	
22	Plug, Spark	9807650N-000	1	
23	O-Ring	93210-04330	2	
24	Insulator, Manifold	1711269S-000	1	
25	Asm., Manifold, Intake	1710069S-000	1	
26	Strap	94520-04064	2	
27	Adapter, Carburetor	1614669S-000	1	
28	Stud	91001-060408-00C	2	M6x40
29	Valve, Intake	1471169S-000	2	
30	Valve, Exhaust	1472169S-000	2	
31	Head, Cylinder	1220169S-000	1	
32	Stud	91001-080328-00C	2	M8x32
33	Nut	94022-06000-00C	2	
34	Gasket Set	1225069S-000	1	
35	Pin, Dowel	94301-10140	2	10x14
36	Cylinder	1210069S-000	1	
37	Bolt	96000-060308-08C	2	M6x30
38	Gasket, Cylinder	1219169S-000	1	

**D-2: PISTON & CRANKSHAFT**



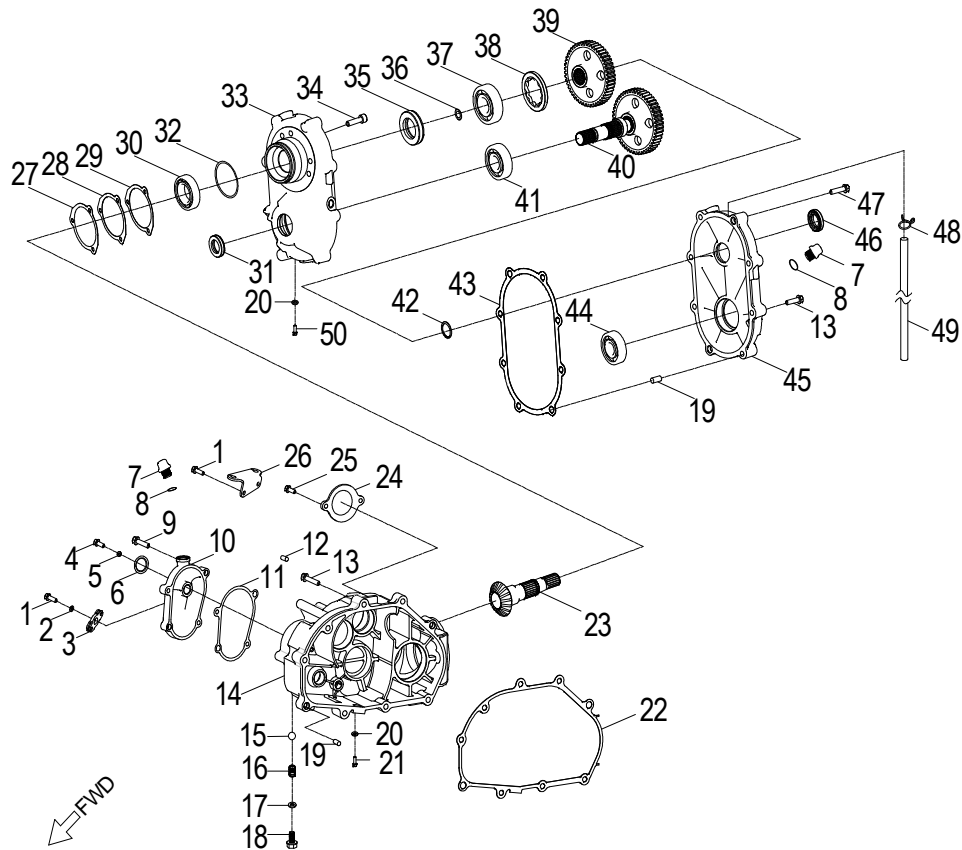
Item	Description	Part number	Q.ty	Note
1	Shaft, Balancer	1342069S-000	1	
2	Washer	94101-0832030-000	1	
3	Bolt	96000-080148-OKL	1	M8x14
4	Asm., Crankshaft	1300069S-000	1	
5	Washer	94101-1426020-00C	1	14.2x26x2
6	Nut	94001-14000-00C	1	M14
7	Spring, Oil	1544739A-000	1	
8	Tube, Oil, Crankshaft	1544139A-000	1	
9	Clip, Piston Pin	1311550A-000	2	
10	Pin, Piston	1311169S-000	1	
11	Piston	1310069S-000	1	
12	Key, Woodruff	90471-25404	1	
13	Ring Set, Piston	1301169S-000	1	

**D-3: CRANKCASE**



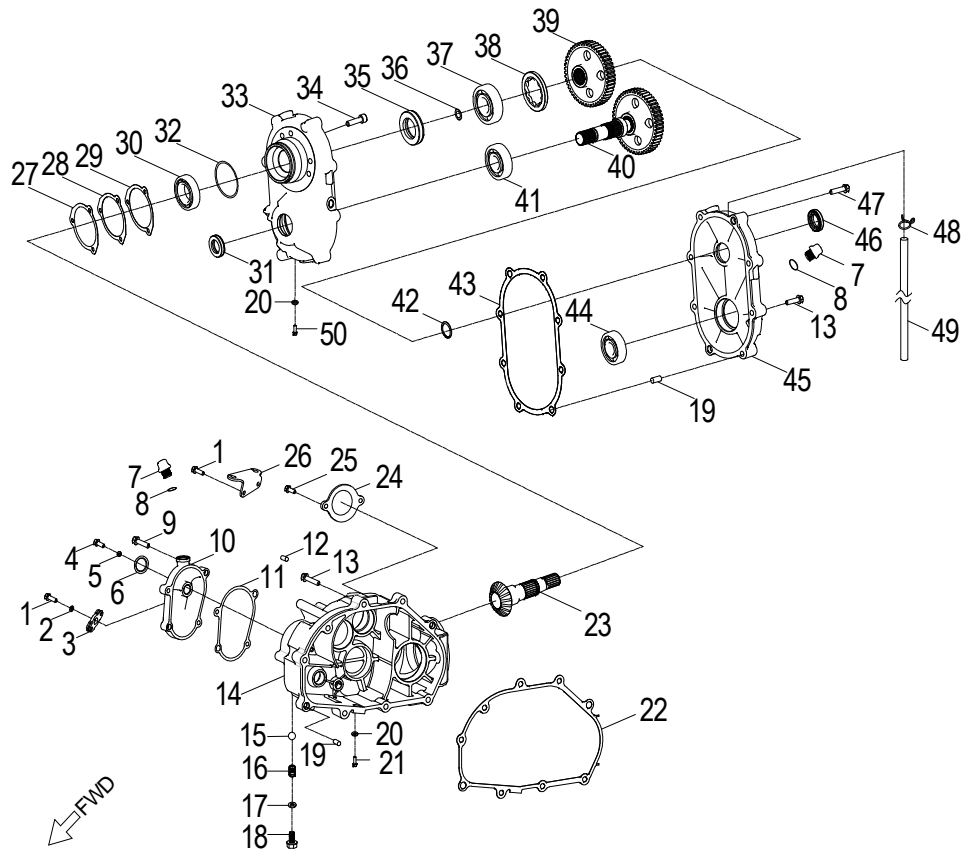
Item	Description	Part number	Q.ty	Note
1	Washer	94108-0816030-00C	4	
2	Stud	91001-081818-00B	2	
3	Bolt	96000-060508-08C	4	M6x50
4	Bushing	96400-102824	4	
5	Crankcase, Rh	1110162F-000	1	
6	Washer	94101-1221320-00L	1	12.1x21.3x2
7	Bolt	96003-120158-17C	1	M12x15
8	Pin, Dowel	94301-10140	4	10x14
9	Screen	15421119-000	1	
10	Spring, Screen	15426119-000	1	
11	O-Ring	93212-03132	1	
12	Plug, Drain, Oil	11334119-000	1	
13	Gasket	1119150A-002	1	
14	Bearing, Ball	96100-63040-00000	3	
15	Spacer, Collar	1115050A-000	1	
16	Crankcase, Lh	1120150A-001	1	
17	Seal, Oil	96500-304207FKM	1	
18	Washer	94101-0624016-00G	1	6.1x24x1.6
19	Bolt	96000-060108-08C	1	M6x10
20	O-Ring	93212-02620	1	25.7x1.9
21	Bolt	96000-060128-08C	4	M6x12
22	Asm., Sensor, Shifter	3575950S-000	1	
23	Seal, Oil	96500-253807F5850	1	25x38x7
24	Spacer, Collar, Rear	1115150A-000	1	
25	Clamp	94515-12008	1	12x8
26	Hose	94408-09013-400	1	
27	Washer	94101-0618015-00K	2	6.1x18x1.5
28	Bearing, Ball	96100-63050-00000	1	
29	Bearing, Ball	96100-62040-00000	2	
30	Clip, Cir	94511-2500S	1	25mm
31	Bearing, Needle	96200-202715	1	
32	Stud	91001-081888-00B	2	

**D-4: REAR DRIVE ASS'Y**



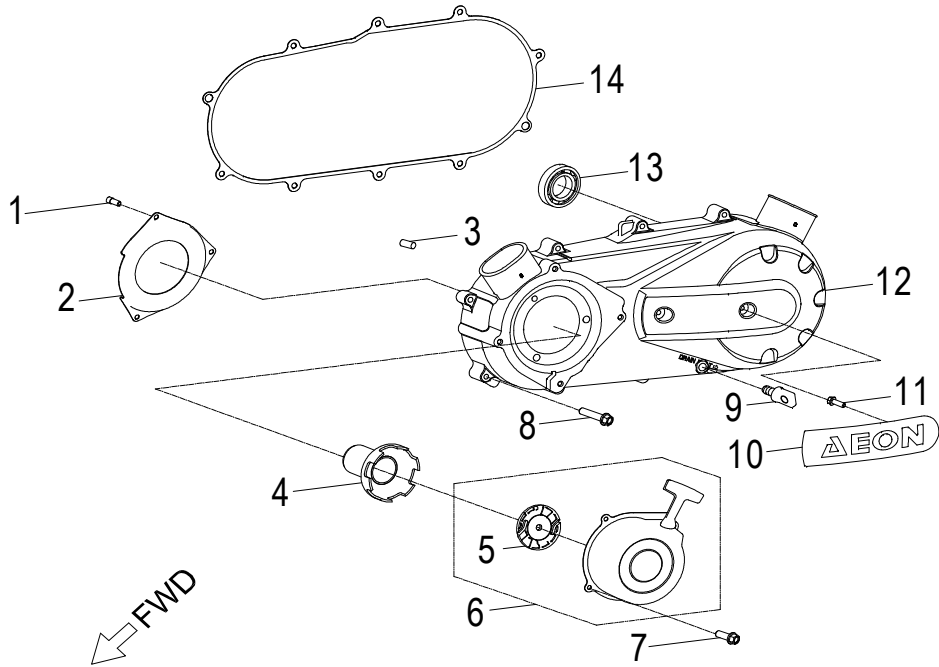
Item	Description	Part number	Q.ty	Note
1	Bolt	96000-060168-10K	3	M6x16
2	Washer	94101-0618015-00K	1	6.1x18x1.5
3	Lever, Shift	2131755L-000	1	
4	Bolt	96000-060108-10K	1	M6x10
5	Washer	94101-0612010-00U	1	6.5x12x1
6	Seal, Oil	96500-142807A7271	1	14x28x7
7	Plug, Oil	15650111-001	2	
8	O-Ring	93210-01425	2	13.8x2.5
9	Bolt	96000-060358-08C	4	M6x35
10	Cover, Shift	2136150S-000	1	
11	Gasket, Inspection Cover	2136250S-002	1	
12	Pin, Dowel	94301-08140	2	8x14
13	Bolt	96000-080458-00C	15	M8x45
14	Cover, Transmission	2130155L-000	1	
15	Ball, Steel	2132239A-000	1	
16	Spring, Detent	2430655E-000	1	
17	Washer	94101-1422010-00L	1	14.2x22x1
18	Bolt	2430539A-000	1	
19	Pin, Dowel	94301-10140	4	10x14
20	Washer	94101-1221320-00L	2	12.1x21.3x2
21	Bolt	96000-120158-14C	1	M12x15
22	Gasket, Transmission Cover	2139550A-002	1	
23	Gear, Shaft, Output	2347062F-001	1	
24	Inspection Cover	2136355L-000	1	
25	Bolt	96000-060168-08C	2	M6x16
26	Adaptor, Shift Cable	2134150A-000	1	
27	Shim	23476209-000	1	
28	Shim	23476208-000	1	
29	Shim	23476207-000	1	
30	Bearing, Ball	96100-60060-00000	1	
31	Seal, Oil	96500-223506A7271	1	
32	O-Ring	93210-06020	1	
33	Cover, Transmission cover Rh	2130362F-002	1	
34	Bolt	96000-080259-00G	3	
35	Seal, Oil	96500-304005A7271	1	
36	Shim	23476210-000	1	
37	Bearing, Ball	96100-63050-000C3	1	
38	Nut	90204-64000-00C	1	
39	Gear, Front Shaft	2347262F-002	1	
40	Asm., Front Shaft	2349062A-001	1	

**D-4: REAR DRIVE ASS'Y**



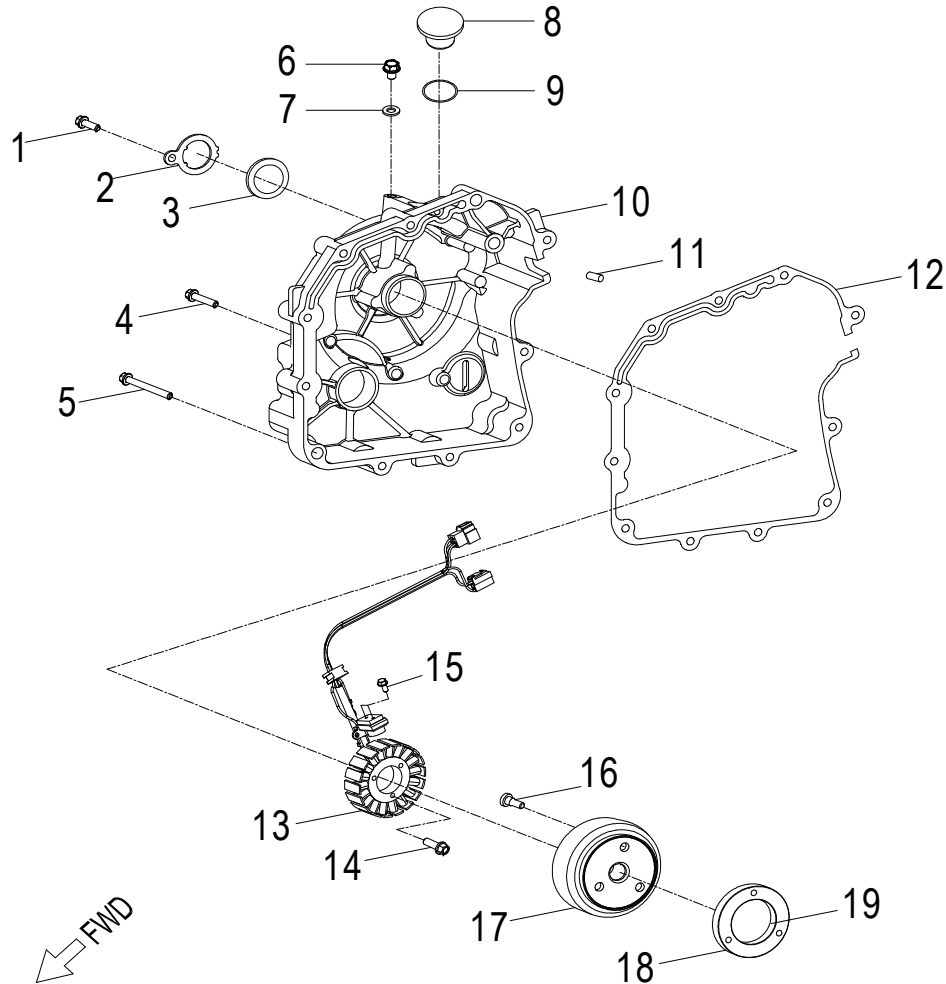
Item	Description	Part number	Q.ty	Note
41	Bearing, Ball	96100-63220-00000	1	
42	Clip, Cir	94511-2200S	1	
43	Gasket, Transmission Cover cover R	2130462F-002	1	
44	Bearing, Ball	96100-63040-00000	1	
45	Gearcase, Rear	2136462F-000	1	
46	Seal, Oil	96500-223507A7271	1	
47	Bolt	96000-080508-12C	4	
48	Clip	94510-06000	1	
49	Hose	94408-05007-500	1	
50	Bolt	91000-120158-00C	1	

**D-5: LEFT CRANKCASE COVER**



Item	Description	Part number	Q.ty	Note
1	Bolt	91003-060088-00K	3	
2	Wind Guider, Drive Clutch	1133969S-000	1	
3	Pin, Dowel	94301-10140	2	10x14
4	Ratchet, Recoil	2210769S-000	1	
5	Sliding Cover Comp	1170650A-000	1	
6	Recoil, Starter	1135050A-000	1	
7	Bolt	96000-060168-10K	4	M6x16
8	Bolt	96000-060408-08C	10	M6x40
9	Drain plug	11353201-000	1	
10	Tablet, Logo	1134750A-000	1	
11	Bolt	96000-050128-00K	2	M5x12
12	Cover, Clutch	1134169S-000	1	
13	Bearing, Ball	96100-6004-LLUC3/ZG	1	
14	Gasket	1135950A-002	1	

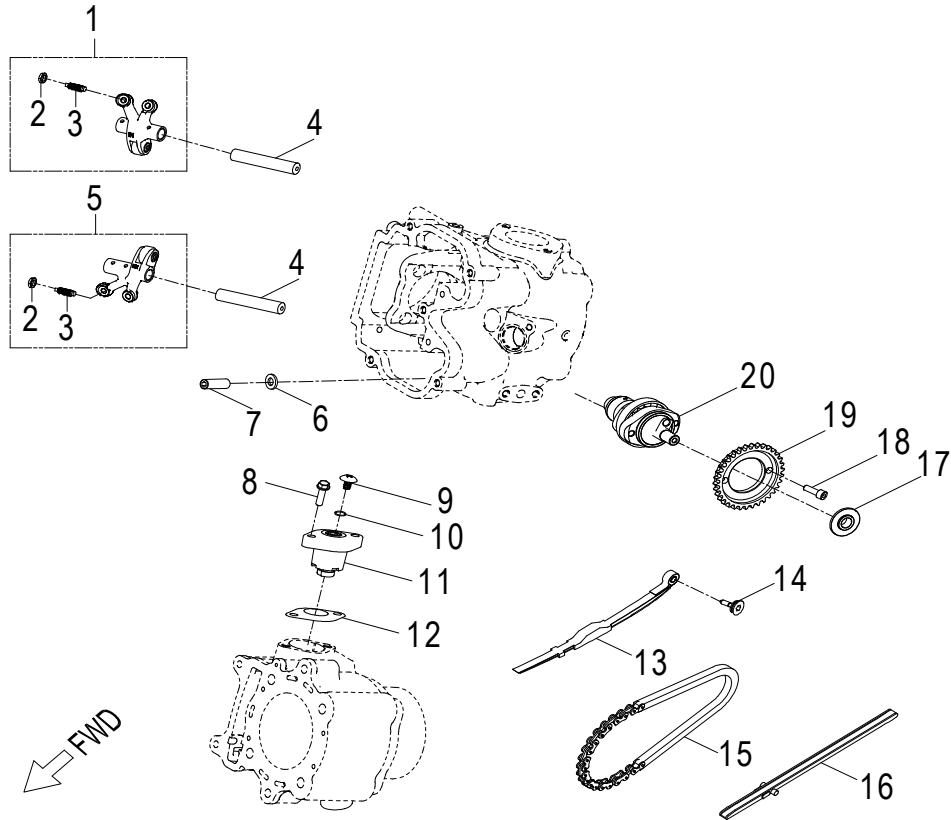
**D-6: RIGHT CRANKCASE COVER**



Item	Description	Part number	Q.ty	Note
1	Bolt	96000-060128-08C	1	M6x12
2	Retainer, Sight Glass	1133350S-000	1	
3	Oil Windows	1120250A-000	1	
4	Bolt	96000-060458-08C	4	M6x45
5	Bolt	96000-061359-08G	7	
6	Bolt	96000-060108-10K	1	M6x10
7	Washer	94101-0612010-00U	1	6.5x12x1
8	Cap(Nickel Silver)	96600-30075000000	1	
9	O-Ring	93210-02724	1	27.4x2.4
10	Crankcase Cover, Rh	1133550A-000	1	
11	Pin, Dowel	94301-10140	2	10x14
12	Gasket, Crankcase, RH	1139350A-002	1	
13	Stator	3112062E-000	1	
14	Screw	91300-050258-00C	3	M5x25 + w
15	Bolt	92000-050128-00C	2	M5x12
16	Bolt	91005-080188-00C	3	M8x18
17	Flywheel	3111062E-000	1	
18	Outer, One Way	2812162N-000	1	
19	Asm., Rollor, One Way	2813050B-000	1	

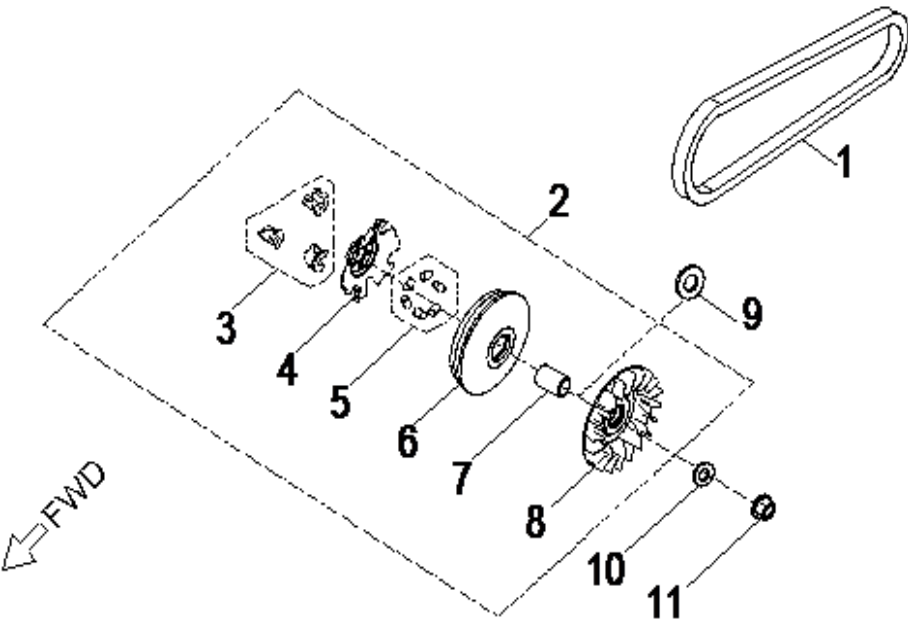


**D-7: VALVE CAM**



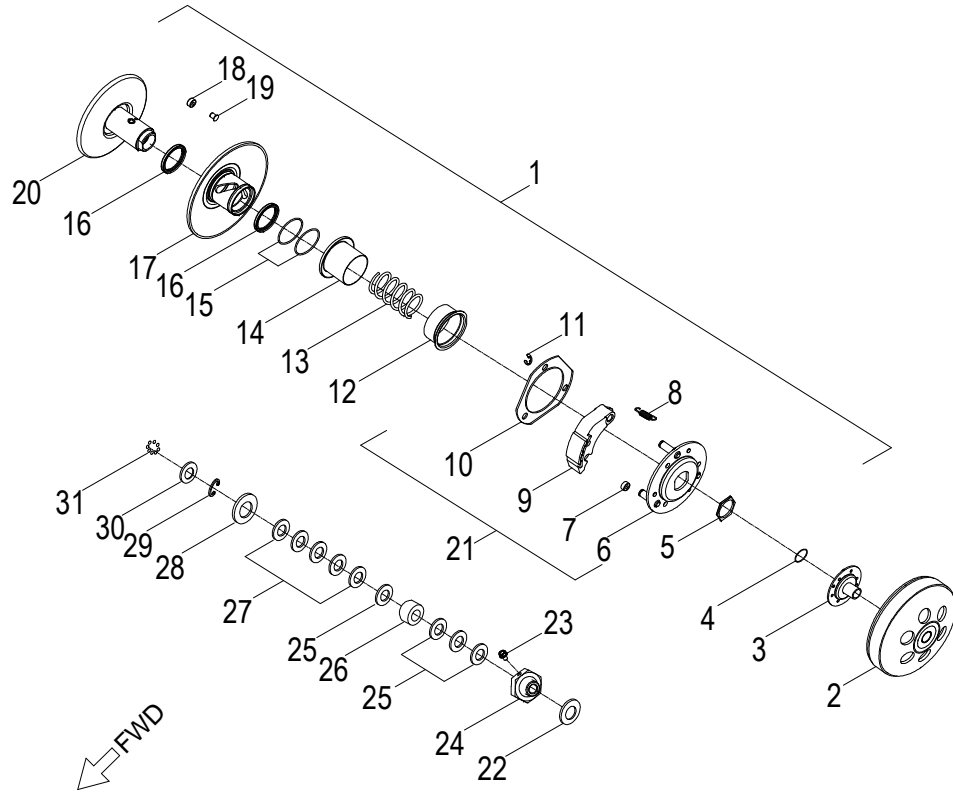
Item	Description	Part number	Q.ty	Note
1	Arm Comp,Valve Rocker Intake	1443069F-000	1	
2	Nut,Tappet Adjusting	14433140-000	4	
3	Screw,Tappet Adjusting	14432140-000	4	
4	Shaft,Valve Rocker Arm	1445169S-000	2	
5	Arm Comp,Valve Rocker Exhaust	1444069F-000	1	
6	Washer	94108-0816030-00C	4	
7	Nut, Head	1221869S-000	4	
8	Bolt	96000-060228-14C	2	M6x22
9	Screw	93000-060068-00K	1	M6x6
10	O-Ring	93210-00915	1	9.5x1.5
11	Tensioner	14521119-000	1	
12	Gasket, Tensioner	14523119-002	1	
13	Guide, Cam Chain, RH	1455050A-000	1	
14	Pivot, Guide	1453550A-000	1	
15	Chain, Cam	1440169S-000	1	
16	Guide, Cam Chain, LH	1450050N-000	1	
17	Decompressor, Cam	1415769S-000	1	
18	Bolt	91000-060128-0KL	2	
19	Sprocket, Cam	1410869S-000	1	
20	Asm., Cam Shaft	1440050T-000	1	

**D-8: DRIVE CLUTCH**



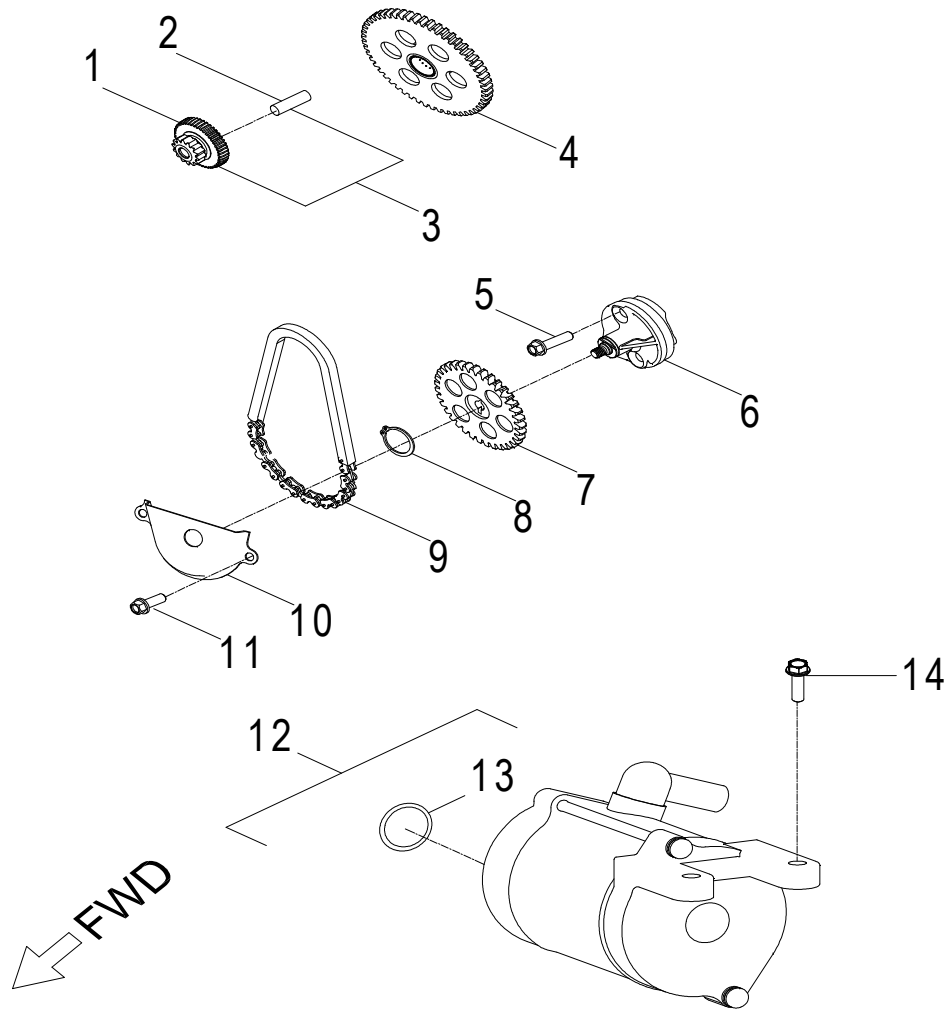
Item	Description	Part number	Q.ty	Note
1	Belt, Driven	2310069F-000	1	
2	Asm., Sliding	2210369S-000	1	
3	Bushing, Slider	2213369N-000	1	
4	Plate, Sheave	2213169S-000	1	
5	Roller	2212069S-000	1	
6	Wheel, Slot, Sliding, Primary	2211062E-000	1	
7	Bushing, Sheave	2210669S-000	1	
8	Sheave, moveable	2210262E-000	1	
9	Washer	94101-1733015-000	1	17.2x33x1.5
10	Washer	94121-1426016-000	1	14x26x1.6
11	Nut	94050-14021-00C	1	

**D-9: DRIVEN CLUTCH**



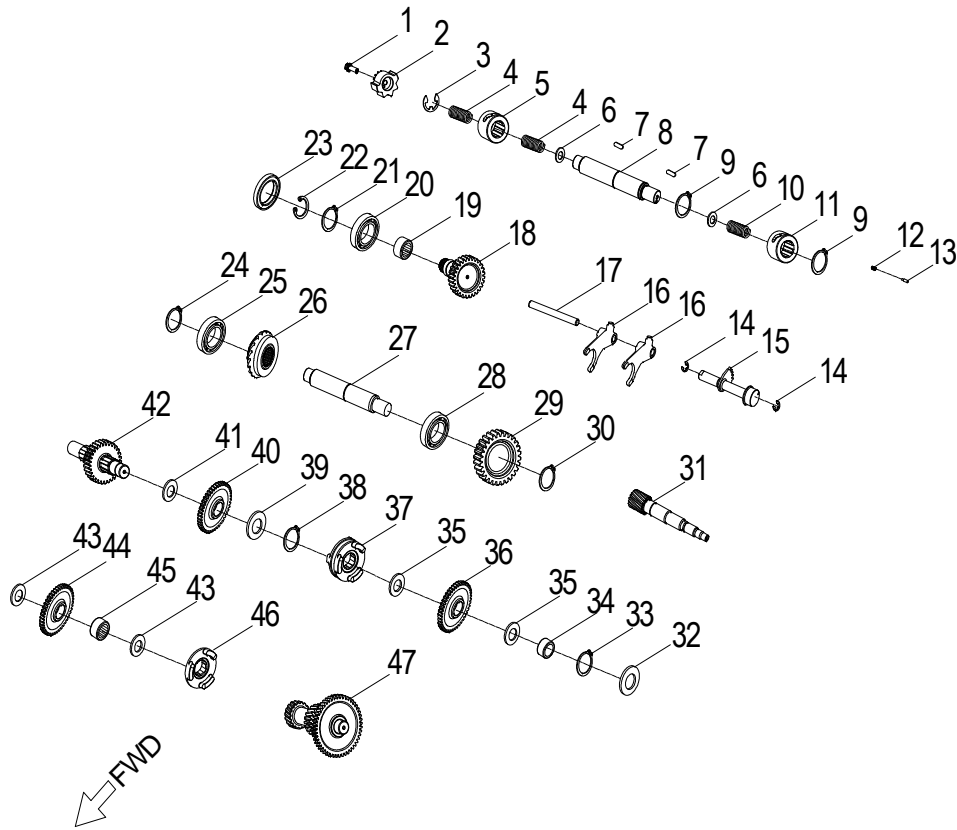
Item	Description	Part number	Q.ty	Note
1	Asm., Drive Clutch	2200069S-000	1	
2	Clutch, Outer	2210062E-000	1	
3	Hold, Cam	2210139A-000	1	
4	O-Ring	93214-02031	1	
5	Nut	95111-0001C-000	1	M28
6	Plate, Drive, Inner	2235062E-000	1	
7	Bushing, Rubber	2280469N-000	3	
8	Spring, Clutch	2240162E-000	3	
9	Weight, Clutch	2253569N-000	3	
10	Plate, Drive, Side	2235162E-000	1	
11	Clip, Cir	94511-0700E	3	
12	Seal, Collor	2323962E-000	1	
13	Spring, Clutch	2323362E-000	1	
14	Seal, Collor	2323762E-000	1	
15	O-Ring	93214-04720	2	
16	Seal, Oil	96500-404704FKM	2	
17	Sheave, Moveable	2322062E-001	1	
18	Roller, Guide	2322662E-000	3	
19	Pin, Guide	2322562E-000	3	
20	Sheave, Driven	2320062E-000	1	
21	Asm., Driven Clutch	2200162E-000	1	
22	Washer	94121-2038005-00K	1	
23	Bolt	91205-050088-OKL	1	M5x8
24	Nut, Driven	2210539A-000	1	
25	Washer	94101-2538010-000	4	25x38x1
26	Guide, Cam	2210839A-000	1	
27	Washer, Special	94122-2550020-00K	5	25.2x50x2
28	Retainer, Ball	2210439A-000	1	
29	Clip, Cir	94511-250IS	1	
30	Washer	94101-2531010-00K	1	25.2x31.3x1
31	Ball, Steel	96211-07000	8	

**D-10: OIL PUMP & STARTING MOTOR**



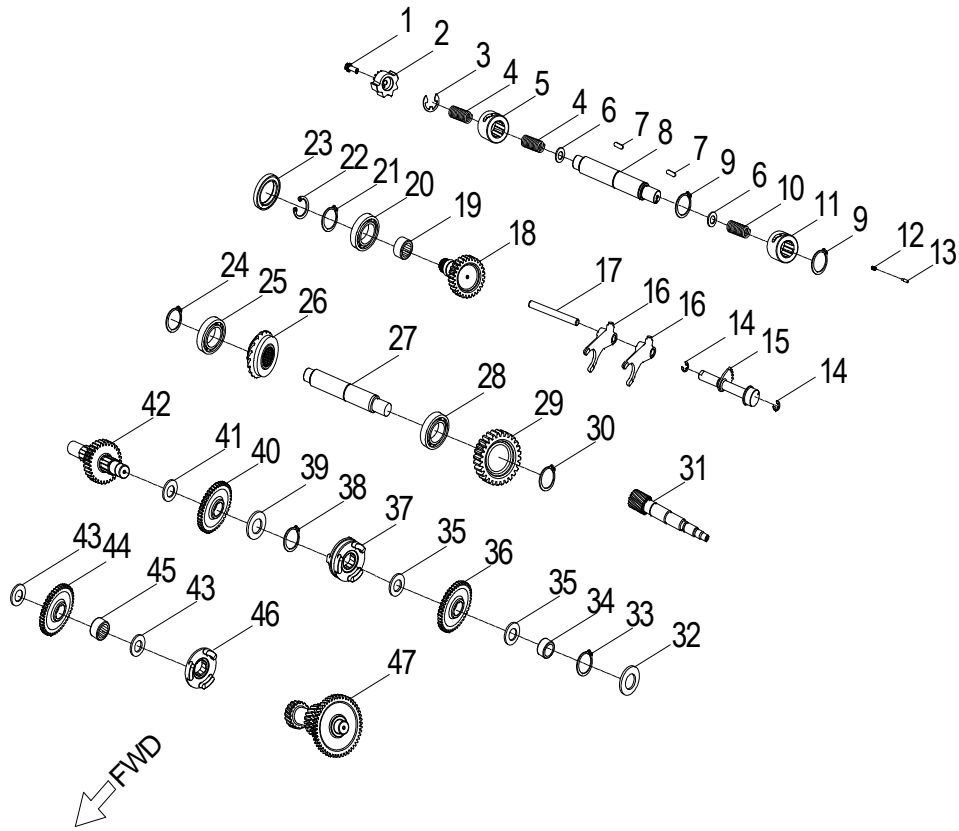
Item	Description	Part number	Q.ty	Note
1	Gear, Starter	2842350A-000	1	
2	Shaft, Starter Motor	2842450A-000	1	
3	Asm., Gear Starter	2842250A-000	1	Incl. 1~2
4	Gear, Starter	2822062N-000	1	
5	Bolt	96000-060308-08C	2	M6x30
6	Asm., Oil Pump	1500050A-000	1	
7	Sprocket, Oil Pump	1515050A-000	1	
8	Clip, Cir	94511-1000S	1	
9	Chain, Oil Pump	1514150A-000	1	
10	Cover, Oil Pump	1571150A-000	1	
11	Bolt	96000-060128-08C	2	M6x12
12	Motor, Starter	3120062E-000	1	
13	O-Ring	93210-02431	1	24.4x3.1
14	Bolt	96000-060208-08C	2	M6x20

**D-11: TRANSMISSION**



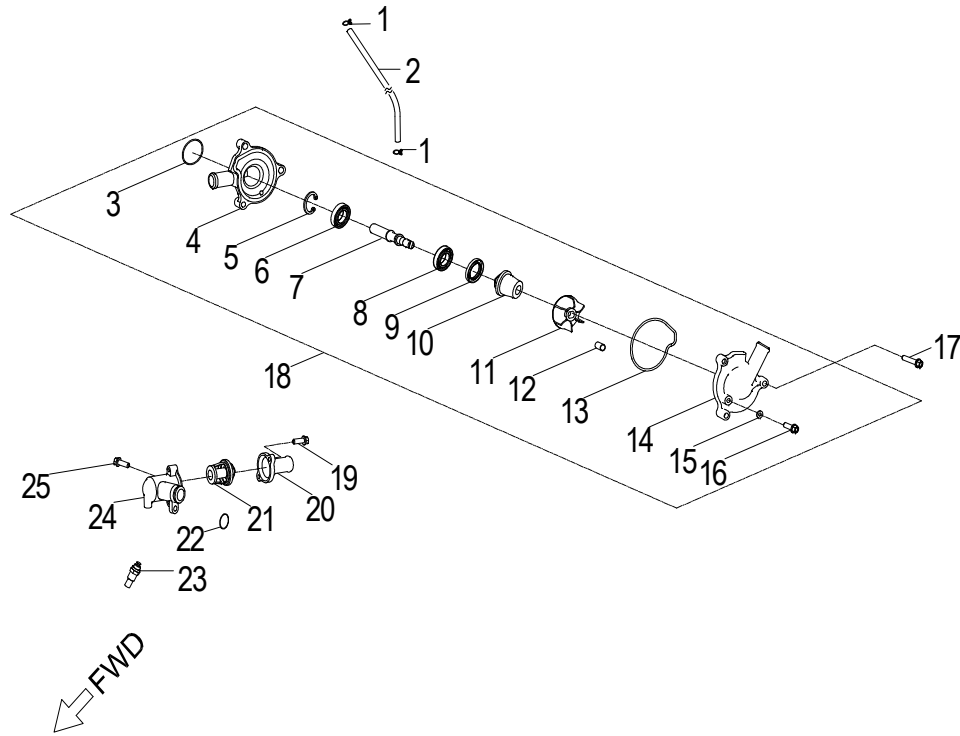
Item	Description	Part number	Q.ty	Note
1	Bolt	96000-060288-10C	1	M6x28
2	Gear , Drum Shift	2431050S-000	1	
3	E-Clip	94513-1900E	1	
4	Recoil, Shift	2430350S-001	2	
5	Drum, Gear Shifter	2430155L-001	1	
6	Washer	94101-2632005-000	2	26.2x32x0.5
7	Key, Woodruff	90472-40420	2	
8	Shaft, Shift Drum	2430855L-000	1	
9	Clip, Cir	94511-2600S	2	
10	Recoil, Shift	2430750S-000	1	
11	Drum, Gear Shifter	2430955L-001	1	
12	Spring, Drum Sensor	2425339A-000	1	
13	Roller, Drum Sensor	2425239A-000	1	
14	E-Clip	94513-1200E	2	
15	Spindle	2461150S-000	1	
16	Fork, Shift	2423150A-000	2	
17	Shaft, Gear Shift	2424155L-000	1	
18	Idler Gear, Over Drive	2344355L-000	1	
19	Bearing, Needle	96200-304217	1	
20	Bearing, Ball	96100-62050-00000	1	
21	Clip, Cir	94511-2500S	1	25mm
22	Clip, Cir	94512-5200R	1	
23	Seal, Oil	96500-255207A5451	1	25x52x7
24	Clip, Cir	94511-2000S	1	
25	Bearing, Ball	96100-63040-000C3	1	
26	Gear, Final Ring	2343350S-000	1	
27	Pinion,Output	2343150S-000	1	
28	Bearing, Ball	96100-62060-00000	1	
29	Gear,Output	2343269S-000	1	
30	Clip, Cir	94511-2400S	1	
31	Shaft, Drive	2341150S-000	1	
32	Washer	94101-2033010-000	1	20x33x1
33	Clip, Cir	94511-2000S	1	
34	Collar, Shaft	2344250A-000	1	
35	Washer	94101-2028010-000	2	20.2x28x1
36	Asm., Gear, Spur	2345050A-001	1	
37	Ratchet, Shift	2243050A-001	1	
38	Clip, Cir	94511-2500S	1	25mm
39	Washer, Spline	2343550A-000	1	
40	Gear Set, Reverse	2346050A-000	1	

**D-11: TRANSMISSION**



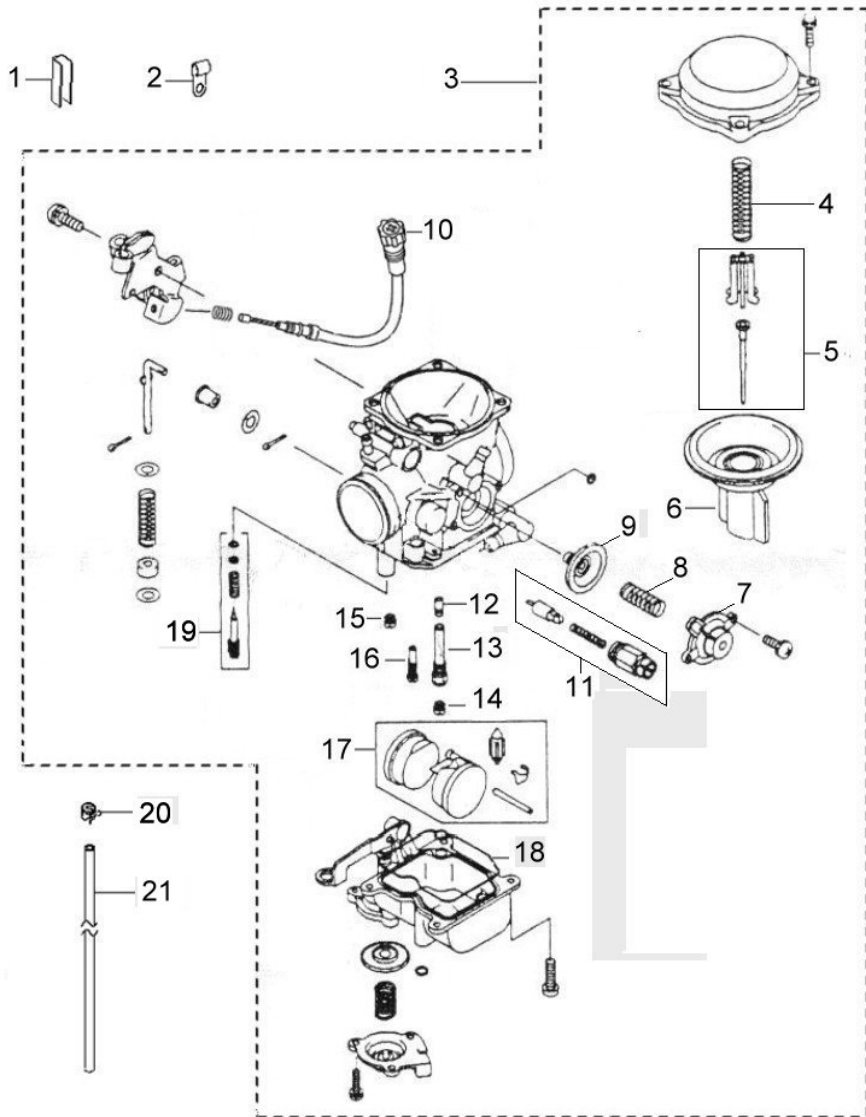
Item	Description	Part number	Q.ty	Note
41	Washer	94101-2538010-000	1	25x38x1
42	Shaft, Transmission	2344169S-000	1	
43	Washer	94101-2029010-000	2	20.2x29x1
44	Gear,Over Drive	2344455L-000	1	
45	Bearing, Needle	96200-202417	1	
46	Ratchet, Over Drive	2344555L-000	1	
47	Asm., Shaft, Counter	2342055L-000	1	

**D-12: WATER PUMP**



Item	Description	Part number	Q.ty	Note
1	Clamp	1922250A-000	2	
2	Hose	1950250A-001	1	
3	O-Ring	93210-02920	1	29x2.0
4	Body, Water Pump	1921150A-000	1	
5	Clip, Cir	94512-2600R	1	
6	Bearing, Ball	96100-60000	1	
7	Shaft, Water Pump	1923150A-000	1	
8	Bearing, Ball	96100-69010	1	
9	Seal, Oil	96500-122207	1	
10	Seal, Mechanical	1921750A-000	1	
11	Impeller, Water Pump	1921550A-000	1	
12	Pin, Dowel	94301-08140	2	8x14
13	Gasket	1922950A-000	1	
14	Flange, Water Pump	1922150A-000	1	
15	Washer	94101-0612010-00U	1	6.5x12x1
16	Bolt	96000-060128-08C	1	M6x12
17	Bolt	96000-060408-08C	3	M6x40
18	Asm., Water Pump	1921050A-000	1	
19	Bolt	96000-050168-00C	2	M5x16
20	Flange, Thermosatic	1931550N-000	1	
21	Bimetal, Thermosatic	1930050A-000	1	
22	O-Ring	93212-01719	1	
23	Sensor, Thermosatic	1931950A-000	1	
24	Housing, Thermosatic	1931150A-000	1	
25	Bolt	96000-060188-08C	1	M6x18

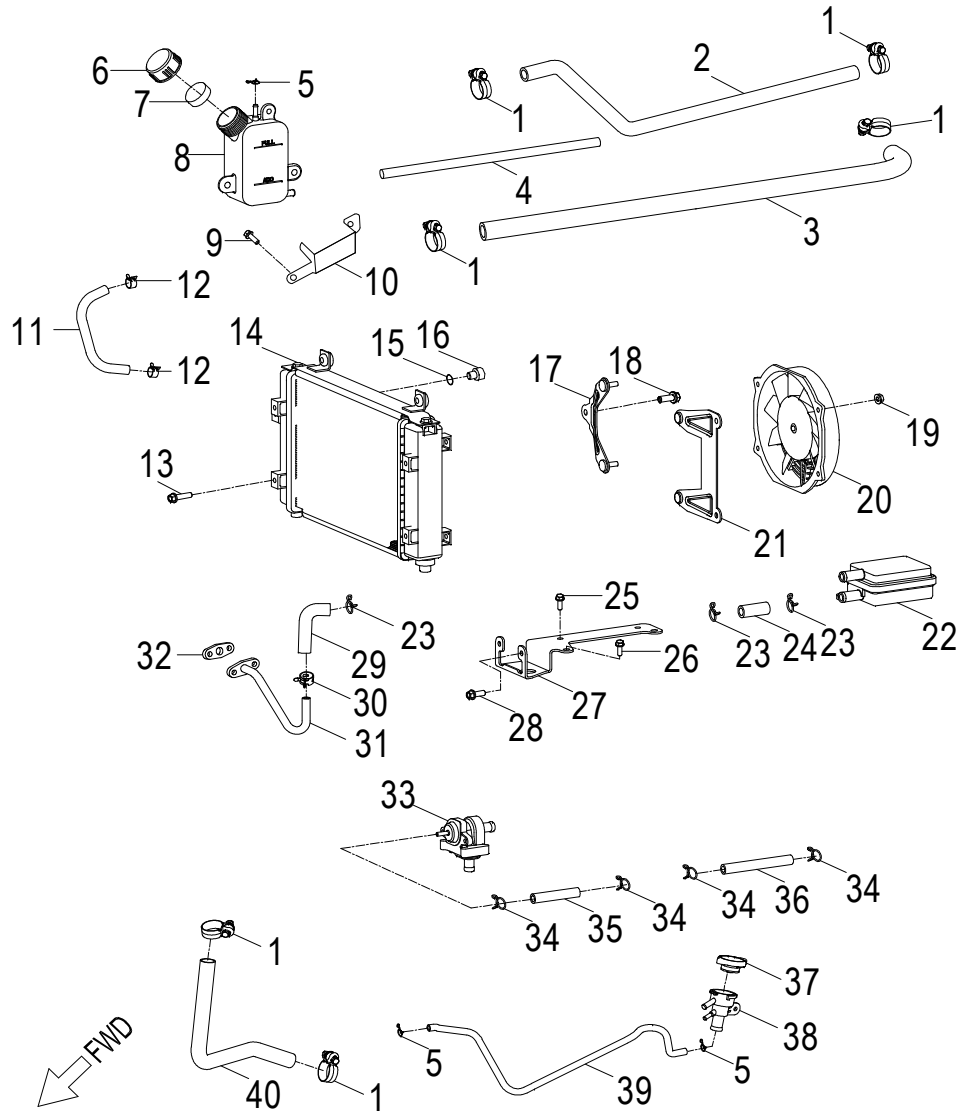
**D-13: CARBURETOR**



Item	Description	Part number	Q.ty	Note
1	Limiting Plate, Throttle	16163201-000	1	
2	Cable Fastener	45458205-000	1	
3	Asm., Carburetor	1610069S-000	1	
4	Spring	1610269S-000	1	
5	Asm., Jet Needle	1610469S-000	1	
6	Throttle Valve, Diaphragm	1605069S-000	1	
7	Cover, Diaphragm	1615569S-000	1	
8	Spring	1617269S-000	1	
9		1616769S-000	1	
10	Screw, Idle	1611469S-000	1	
11	Manual Choke Comp	5392369S-000	1	
12	Needle, Jet	1615069S-000	1	
13	Valve, Needle	1610569S-000	1	
14	Jet, Main	1610869S-000	1	
15	Jet, Choke	1621469S-000	1	
16	Jet, Pilot	1611069S-000	1	
17	Float	1612369S-000	1	
18	Seal, Float	1610669S-000	1	
19	Screw, Air	1611569S-000	1	
20	Clamp	94515-07807	1	
21	Tube, Oil	94403-04008-430	1	

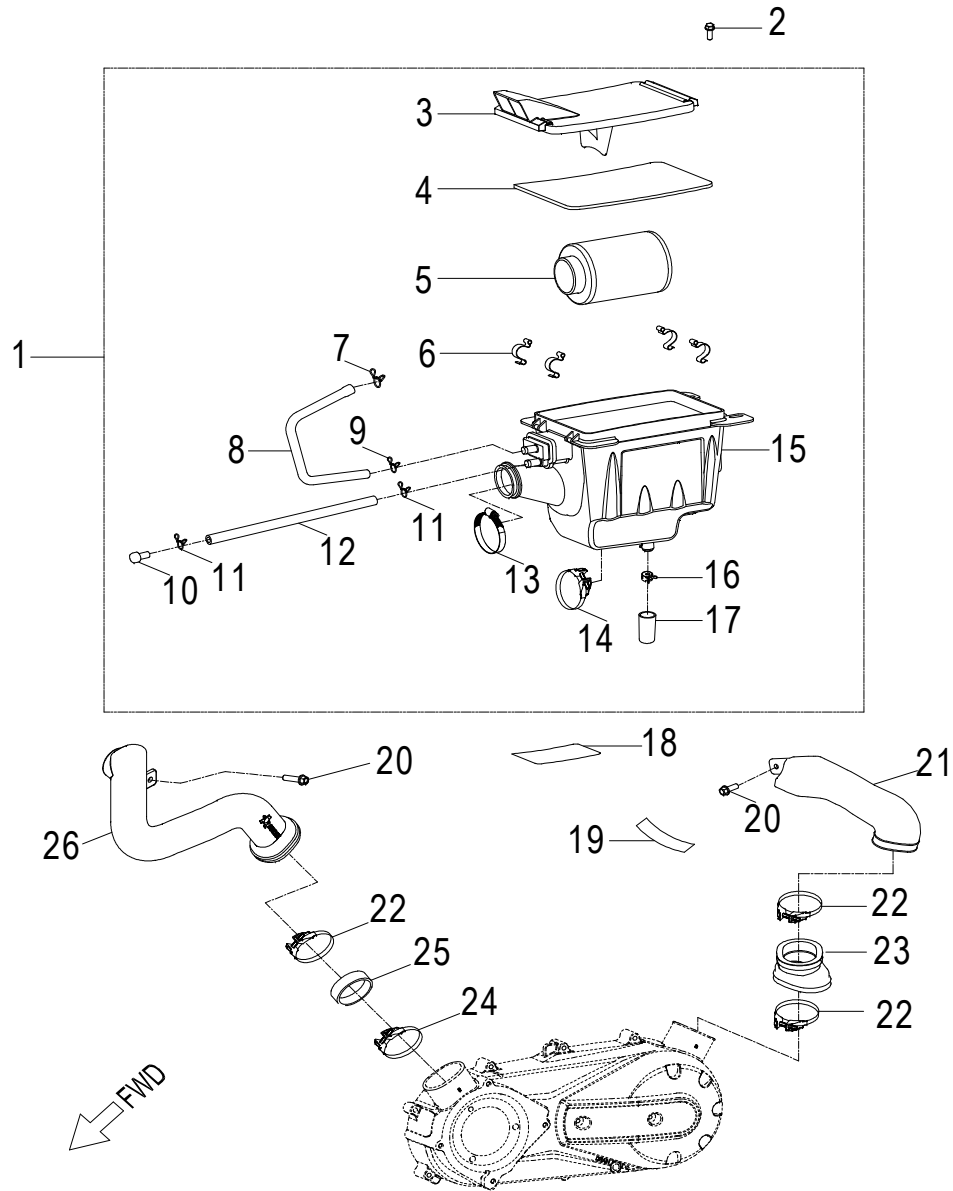


**D-14: RADIATOR**



Item	Description	Part number	Q.ty	Note
1	Clamp	1922250A-000	6	
2	Hose, Outlet, Radiator	19501206-000	1	
3	Hose, Inlet, Radiator	19503207-000	1	
4	Hose	94408-05007-450	1	
5	Clip	94510-06500	3	
6	Cap, Expansion Tank	1910250A-000	1	
7	Boot, Duct	1726950A-000	1	
8	Tank, Expansion	1910150A-000	1	
9	Bolt	96007-060168-00K	1	M6x16 + w
10	Bracket, Expansion Tank	19103201-000	1	
11	Hose, Inlet, Expansion Tank	19506201-000	1	
12	Clamp	94515-12008	2	12x8
13	Bolt	96007-060228-00K	2	M6x22 + w
14	Radiator	1901162F-000	1	
15	O-Ring	93210-01020	1	9.8x1.9 NBR
16	Switch, Thermosatic	1932550A-000	1	
17	Bracket, Fan, Right	1900662E-000	1	
18	Screw	93003-060168-00K	3	M6x16 + w
19	Nut	94050-06000-00C	4	M6
20	Asm., Fan	1900562E-000	1	
21	Bracket, Fan, Left	1900762E-000	1	
22	Asm., Filter, Daul- Intake	18995202-000	1	
23	Clip	94510-15000	3	
24	Hose, Rubber	96420-01016-052	1	
25	Bolt	96000-060168-08C	2	M6x16
26	Bolt	96000-060128-0KL	2	M6x12
27	Bracket, Dual- Intake	1899850A-000	1	
28	Bolt	96000-060148-10K	4	M6x14
29	Hose, Rubber	17264203-000	1	
30	Clamp	94515-13008	1	
31	Tube, Dual- Intake	18640211-000	1	
32	Gasket, Hose	1864639E-000	1	
33	Valve, Dual-Intake	1899955E-000	1	
34	Clip	94510-07400	6	
35	Tube, Oil	94403-04008-265	1	
36	Tube, Oil	94403-04008-300	1	
37	Cap, Water	1911150A-000	1	
38	Tube, Water Cap	1911450A-000	1	
39	Tube, Oil	94403-04008-740	1	
40	Hose, Water Cap, Radiator	19504202-001	1	

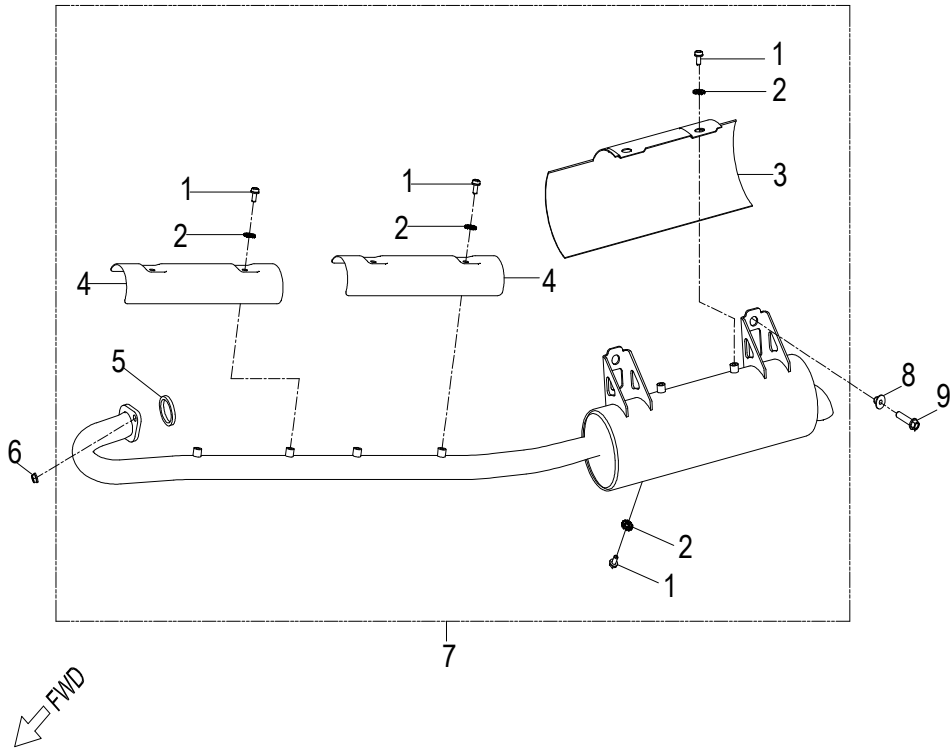
**D-15: AIR CLEANER**



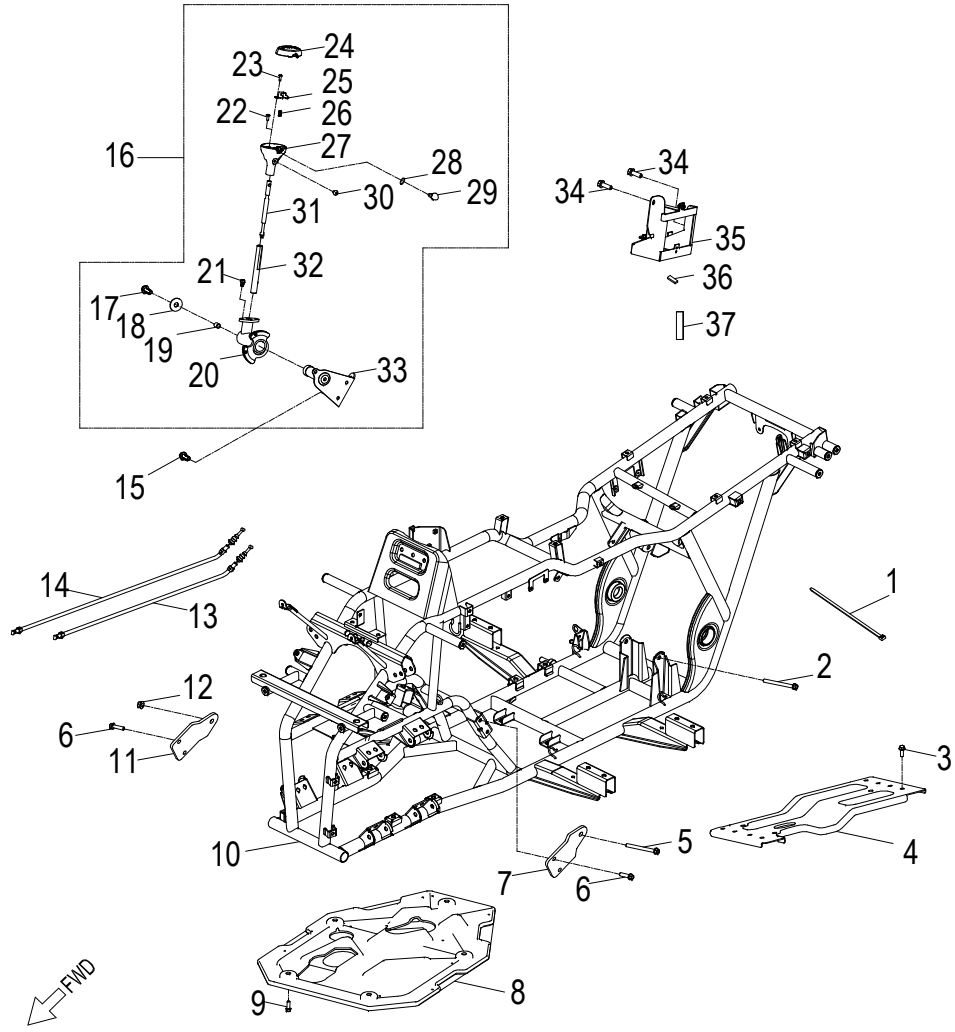
Item	Description	Part number	Q.ty	Note
1	Asm., Cleaner, Air	17200224-002	1	
2	Bolt	92005-060168-00K	2	M6x16 + w
3	Cover, Air Cleaner	17207207-000	1	
4	Gasket	3371639A-000	1	
5	Filter, Air Cleaner	17205201-001	1	
6	Clip	1720839A-000	4	
7	Clip	94510-14018	1	14x1.8
8	Tube, Breather, Ventilated	17381222-001	1	
9	Clip	94510-12016	1	
10	Plug, Trap	17370201-000	1	
11	Clip	94510-12012	2	12x1.2
12	Tube, Breather, Ventilated	17381207-000	1	
13	Strap	94520-05070	1	
14	Strap	89669221-000	1	
15	Box, Air Cleaner	17203213-000	1	
16	Clip	94510-21616	1	
17	Hose, Drain	94414-01613-060	1	
18	Decal, Insulation	87011210-000	1	
19	Decal, Insulation	87011219-000	1	
20	Bolt	92003-060168-00K	2	M6x16 + w
21	Duct, Outlet	17256208-000	1	
22	Strap	89669212-000	3	
23	Boot, Duct	17269206-000	1	
24	Strap	89669204-000	1	
25	Boot, Duct	17269203-000	1	
26	Duct, Inlet	1725555E-000	1	

**D-16: EXHAUST PIPE**

Item	Description	Part number	Q.ty	Note
1	Bolt	96000-060128-10K	8	M6x12
2	Washer, Star	94103-0600000-00C	8	M6
3	Shield, Exhaust	18315215-000	1	
4	Shield, Exhaust	1831555E-000	2	
5	Gasket	1829162E-000	1	
6	Nut	94050-08000-00C	2	M8
7	Asm., Exhaust Pipe	18300269-000	1	
8	Bushing	96400-082614	2	
9	Bolt	96000-080258-00K	2	M8x25

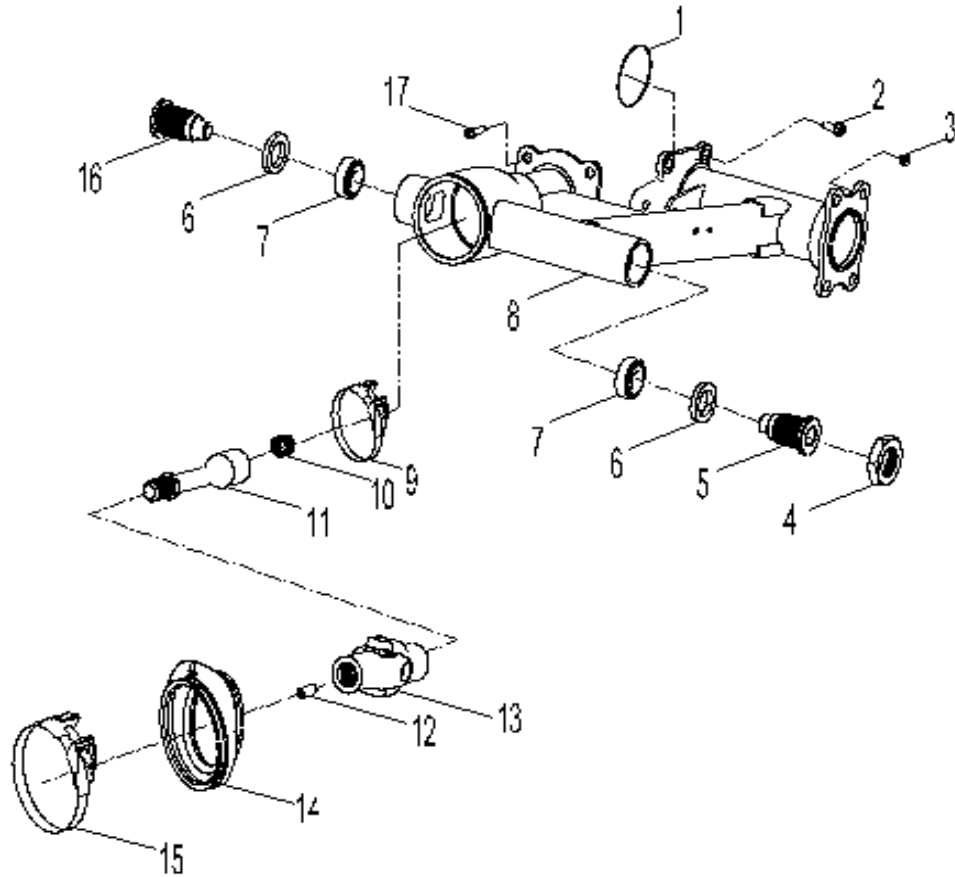


**D-17: FRAME BODY**



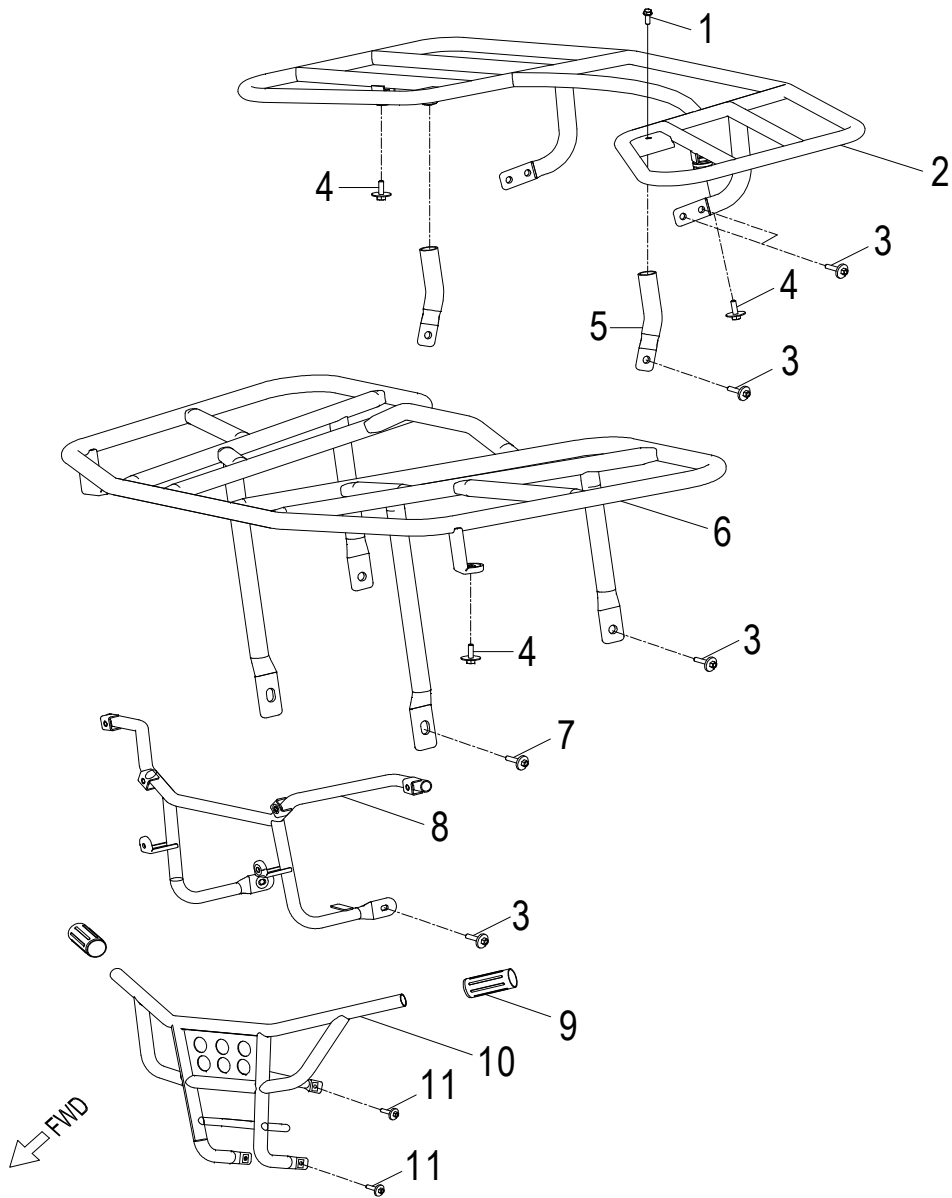
Item	Description	Part number	Q.ty	Note
1	Strap	89569131-000	10	ALT-200M-B
2	Bolt	96000-101309-00Z	1	
3	Bolt	96000-080128-OKL	8	M8x12
4	Bracket, Footwell	5110555E-000	2	
5	Bolt	96000-102008-00B	1	M10x200
6	Bolt	96000-080209-0GL	4	
7	Mounting, Engine, Lh	50902202-000	1	
8	Shield, Chassis	50106203-000	1	
9	Bolt	92005-060168-00K	5	M6x16 + w
10	Asm., Frame	50100349-067	1	
11	Mounting, Engine, Rh	50908202-000	1	
12	Nut	90350-10000-00C	1	M10
13	Cable, Shift	21335210-000	1	
14	Cable, Shift	21335209-000	1	
15	Bolt	96000-060128-10K	3	M6x12
16	Asm., Shift Lever	2135055E-000	1	
17	Bolt	96000-080128-00K	1	M8x12
18	Washer	94101-1030020-00K	1	10.1x30x2
19	Clip, Cir	94511-2400S	1	
20	Gear Selector	2131955E-000	1	
21	Bolt	96000-050088-00K	2	
22	Screw	93903-1030108-00K	2	
23	Screw	93903-1040088-00K	2	M4x8
24	Cover	21327204-000	1	
25	Plate, Shift	2133655E-000	1	
26	Spring, Shift	2132050A-000	1	
27	Knob, Transmission Lever	21328203-000	1	
28	Clip, Spring	94661-21012	1	
29	Rubber, shift lever	2133455E-000	1	
30	Screw	93100-050108-00K	1	
31	Linkage, Shift Lever	2133850A-000	1	
32	Sleeve, Shift Lever	2134555E-000	1	
33	Mounting, Shift Lever	2134355E-000	1	
34	Bolt	96000-080168-OKL	2	M8x16
35	Boot, Shift Arm	3150355E-000	1	
36	Foam, battery	81113203-000	4	
37	Trim, Rubber	50811202-000	1	

**D-18: REAR SWING ARM ASS'Y**



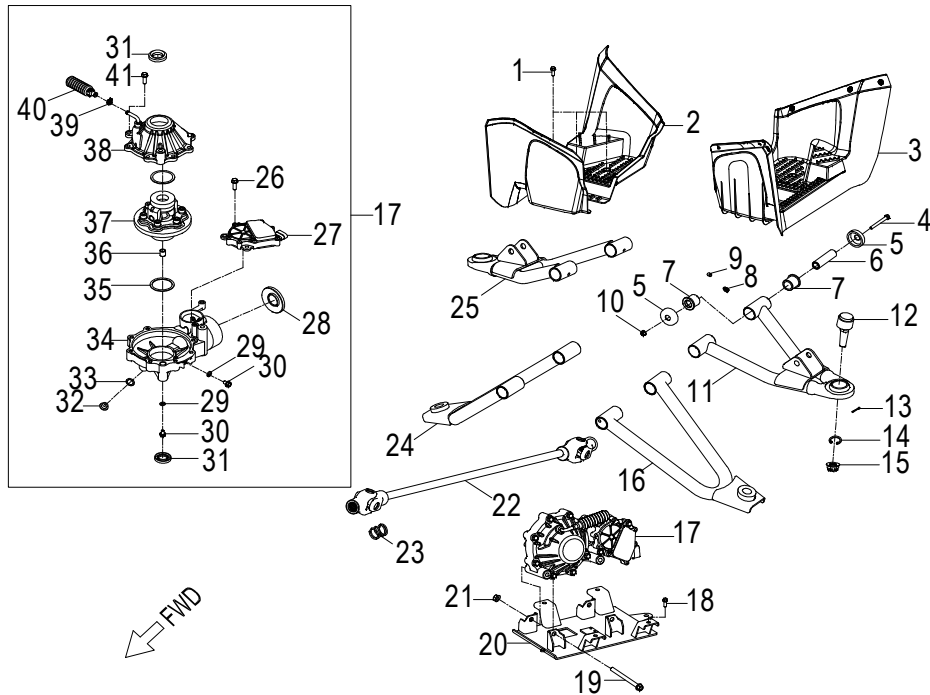
Item	Description	Part number	Q.ty	Note
1	O-Ring	93210-07531	2	75x3.1
2	Bolt	96000-100308-OBL	4	
3	Nut	90355-10000-14C	4	
4	Nut	94001-30000-46C	1	
5	Bolt	91000-300698-00C	1	
6	Seal, Oil	96500-264006A7271	2	
7	Bearing	96150-17401-30000	2	
8	Arm, Swing	5241062F-067	1	
9	Strap	8966939A-001	1	
10	Spring	4054139A-000	1	
11	Shaft, Drive	5244055E-000	1	
12	Tube, Spacer	42810228-000	1	
13	Joint, Universal	52450204-000	1	
14	Boot	1721962F-000	1	
15	Strap	89669211-000	1	
16	Bolt	91000-300608-00C	1	
17	Bolt	96000-100258-OBL	4	

**D-19: BUMPER**



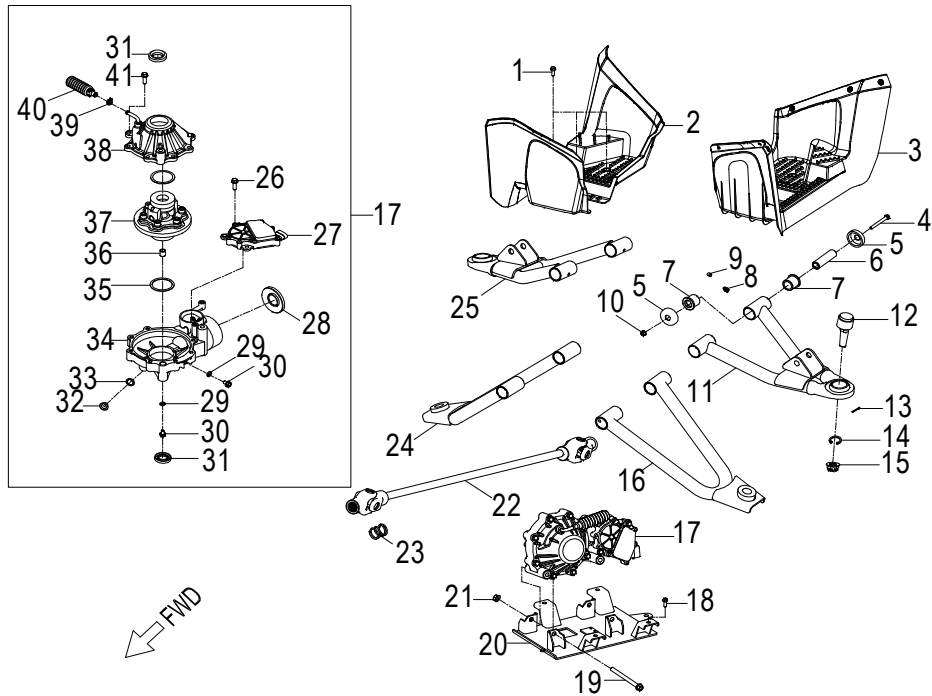
Item	Description	Part number	Q.ty	Note
1	Bolt	96000-080148-OKL	2	M8x14
2	Rear Rack	8111155E-067	1	
3	Bolt	92001-080208-OKL	10	M8x20 + w
4	Bolt	96007-060228-00K	4	M6x22 + w
5	Bracket, Rear	81122203-067	2	
6	Bracket, Front Rack	50495212-067	1	
7	Bolt	96007-060168-00K	2	M6x16 + w
8	Bracket, Bumper	50450241-067	1	
9	Boot	50423205-000	2	
10	Bumper	5045562F-067	1	
11	Bolt	92001-080168-OKL	4	M8x16

**D-20: SWING ARM & FOOTREST**



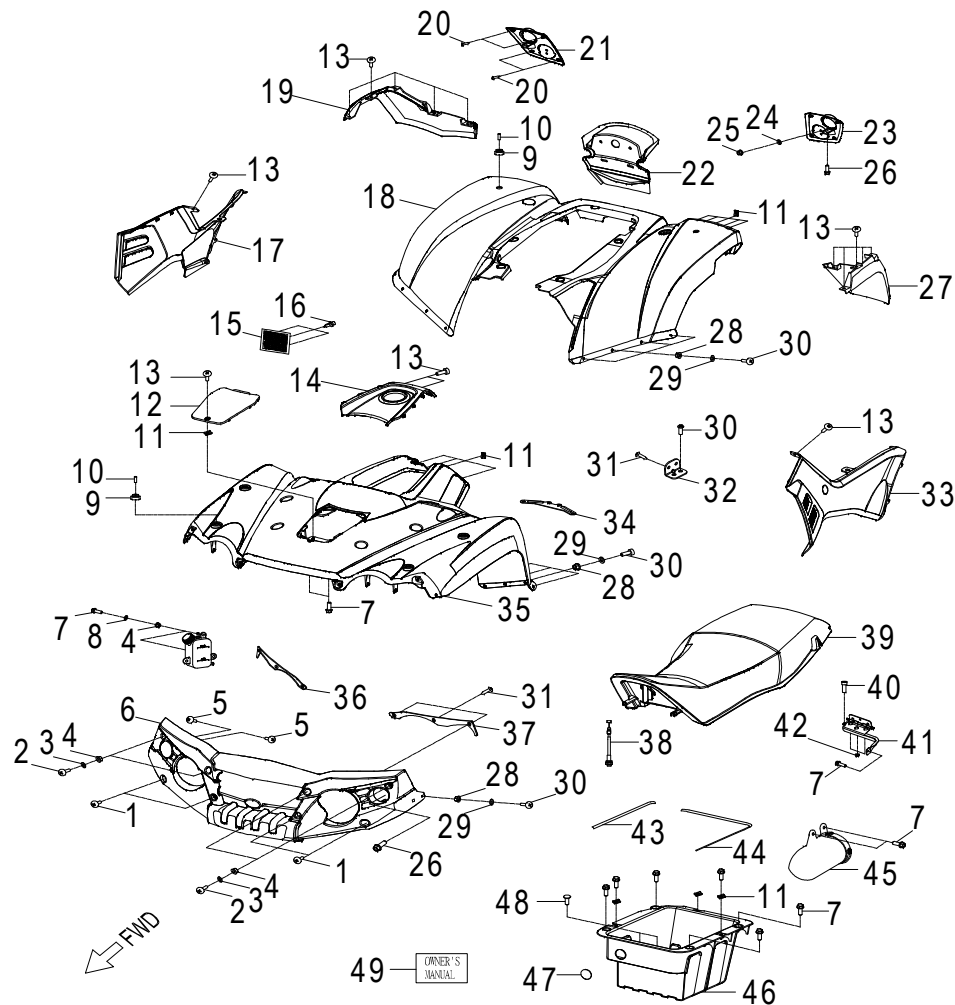
Item	Description	Part number	Q.ty	Note
1	Bolt	96007-060168-00K	6	M6x16 + w
2	Footwell, RH	6430055E-000	1	
3	Footwell, LH	6431055E-000	1	
4	Bolt	96000-100758-OKL	8	
5	Cap, dustproof	52426156-000	16	
6	Spacer	5314039A-000	8	
7	Bushing	53135203-000	8	
8	Valve, Grease	51300131-000	8	
9	Cap, Valve, Grease	51301131-000	8	
10	Nut	94050-10000-00C	8	M10
11	A-Arm, Upper, Lh	5313262F-067	1	
12	Ball Joint	52451204-000	4	
13	Pin, Cotter	94201-23250	4	
14	Clip, Cir	94511-3113S	4	
15	Nut, Lock	90351-12000-00C	4	M12x1.25
16	A-Arm, Lower, Lh	5313162F-067	1	
17	Asm., Gear Case, Differential	4276062F-000	1	
18	Bolt	96000-080148-OKL	4	M8x14
19	Bolt	96000-101108-00C	2	
20	Engine Mounting	50210213-067	1	
21	Nut	90355-10000-14C	2	
22	Linkage	52437212-000	1	
23	Spring, Prop Shaft	11705202-000	1	
24	A-Arm, Lower, Rh	5303162F-067	1	
25	A-Arm, Upper, Rh	5303262F-067	1	
26	Bolt	96000-080258-00C	3	
27	Selecting, 2WD/4WD	42765201-000	1	
28	Seal, Oil	96500-327508A7271	1	
29	Washer	94101-0816020-00L	2	
30	Bolt	96000-080128-12C	2	
31	Seal, Oil	96500-254507A7271	2	
32	Bolt, Filler	42766201-000	1	
33	Washer	94101-1422010-0AL	1	
34	Asm., Housing, Differential	42761202-000	1	
35	Shim, Set	42763201-000	1	
36	Pin, Dowel	94301-14160	1	
37	Asm., Gear, Differential	42764201-000	1	
38	Cover, Differential	42762201-000	1	
39	Clamp	94515-10008	1	
40	Bellows	16600202-000	1	

Item	Description	Part number	Q.ty	Note
41	Bolt	96000-080308-12C	8	



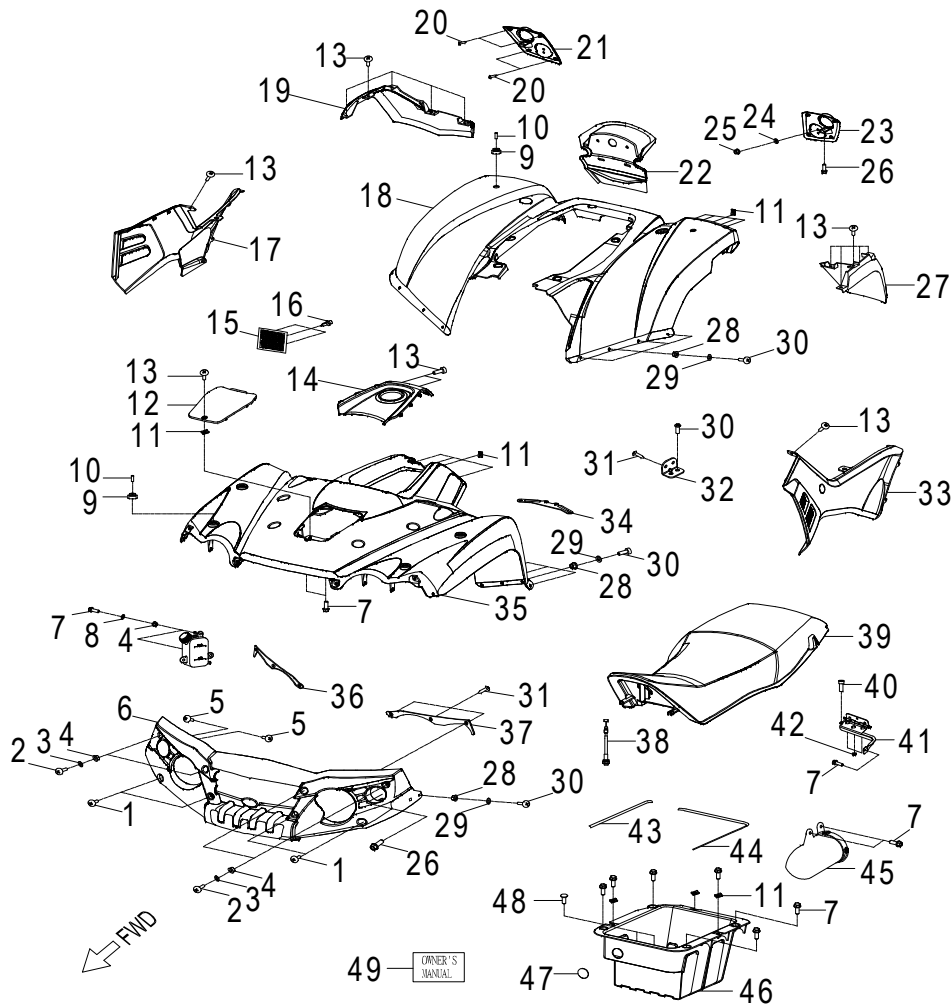


**D-21: CAB & SEAT**



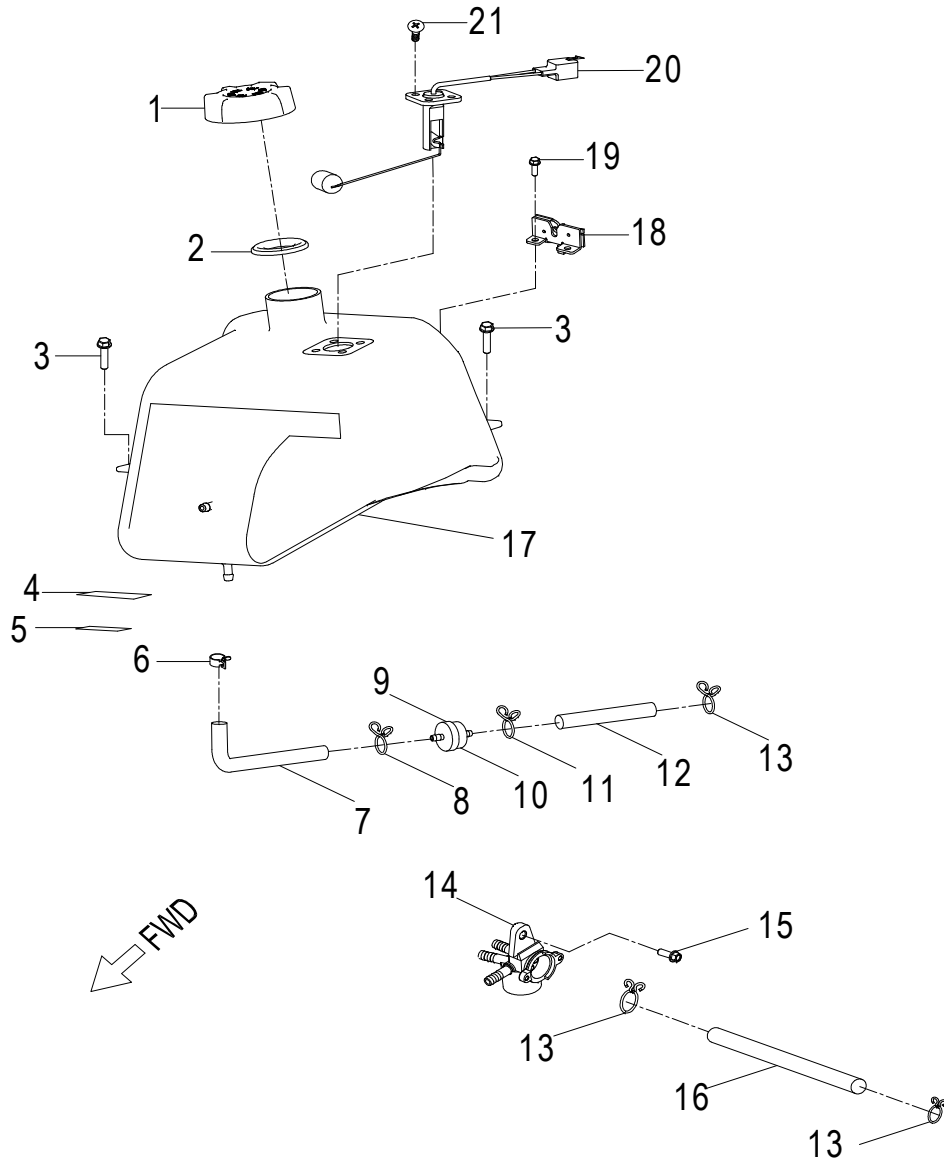
Item	Description	Part number	Q.ty	Note
1	Bolt	93800-060148-00K	4	M6x14 + w
2	Bolt	93800-060208-00K	4	
3	Washer	94101-0618010-00K	4	
4	Nut	90350-06000-00K	6	M6
5	Bolt	93100-050128-00K	4	M5x12
6	Cover, Front Bumper	50461218-000	1	
7	Bolt	96007-060168-00K	14	M6x16 + w
8	Washer	94101-0613010-00K	2	6x13x1
9	Foam	17502204-000	4	
10	Spacer	51311203-000	4	
11	U-Nut	90344-06000-00C	18	M6
12	Front Fender Cover(Small)	61151201-116	1	Black
		61151201-507		Red
13	Bolt	93800-060168-00K	15	M6x16
14	Cover, Fuel Tank	17555208-000	1	
15	Net, Rubber	61103201-000	2	
16	Rivet, Plastic	61120153-000	6	
17	Panel, Side, RH	8350055E-000	1	
18	Cab, Rear	6100055E-116	1	Black
		6100055E-507		Red
19	Fender, Rear, RH	62810204-000	1	
20	Screw	93903-2040128-00K	8	M4x12
21	Cover, Rear Signal, RH	3380155E-000	1	
22	License Plate	3370855E-000	1	
23	Cover, Rear Signal, LH	3385155E-000	1	
24	Washer	94101-0619010-00C	2	6.1x19x1
25	Nut	94050-06000-00C	2	M6
26	Bolt	96000-060108-10K	4	M6x10
27	Fender, Rear, LH	62820204-000	1	
28	Nut	90350-05000-00K	18	M5
29	Washer	94101-0514010-00K	18	5.1x14x1
30	Bolt	93100-050168-00K	20	M5x16
31	Screw	93903-1050128-00K	8	M5x12
32	Bracket, lock, hood	83604201-000	1	
33	Panel, Side, LH	83600215-000	1	
34	Bracket, striker, key	77235201-001	1	
35	Cab, Front	61100216-116	1	Black
		61100216-507		Red
36	Guard, Mud, RH	50468201-000	1	
37	Guard, Mud, LH	50467201-000	1	
49	OWNER'S MANUAL			

**D-21: CAB & SEAT**



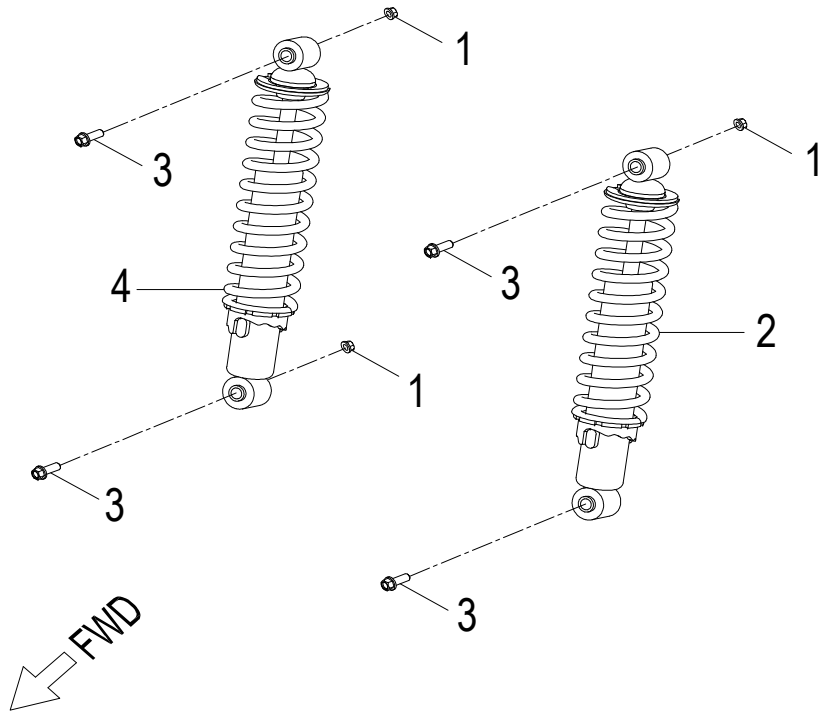
Item	Description	Part number	Q.ty	Note
38	Cable, Lock	77232202-000	1	
39	Seat	77200266-000	1	
40	Bolt	91000-060208-00K	1	
41	Hinge, Seat	77223201-000	1	
42	Nut	90355-06000-10K	3	
43	Trim, Rubber	94430-00000-405	1	
44	Trim, Rubber	94430-00000-815	1	
45	Asm,Toolbox	8912355E-000	1	
46	Luggage Box	77226201-000	1	
47	Boot	50423203-000	1	
48	Plug, Rubbe, Hood	50424203-000	2	
49	Manual, Owner's	88510273-000	1	

**D-22: FUEL TANK**

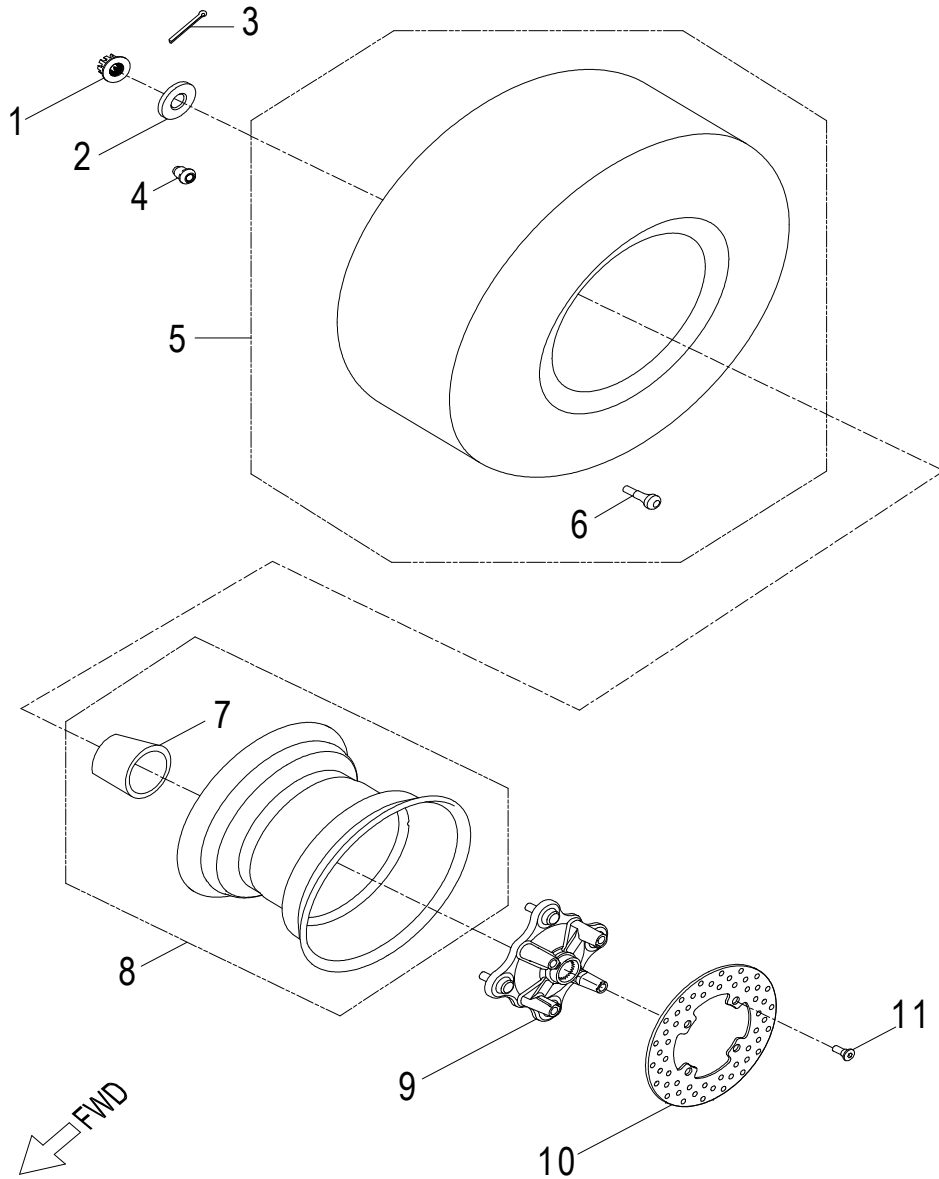


Item	Description	Part number	Q.ty	Note
1	Asm., Cap, Fuel Tank	17620202-000	1	Incl. 1
2	Collar, Fuel Tank	17507201-000	1	
3	Bolt	92005-060208-00K	3	
4	Decal, Insulation	87011211-000	1	
5	Decal, Insulation	87011212-000	1	
6	Clamp	94515-10008	1	
7	Fuel hose	94412-05009-105	1	
8	Clip	94510-08008	1	
9	Clamp	1795955E-000	1	
10	Filter, Fuel	17952111-000	1	
11	Clip	94510-09012	1	
12	Asm., Hose, Fuel	94410-05009-012	1	
13	Clip	94510-08012	3	
14	Valve, Fuel	17950111-000	1	
15	Bolt	96000-060168-10K	1	M6x16
16	Asm., Hose, Fuel	94410-05009-058	1	
17	Asm., Tank, Fuel	1750055E-001	1	
18	Lock striker	77231180-000	1	
19	Bolt	96000-060148-10K	2	M6x14
20	Sensor, Fuel	37800203-000	1	
21	Bolt	93100-050168-00K	4	M5x16

Item	Description	Part number	Q.ty	Note
1	Nut	94050-10000-00C	5	M10
2	Asm., Suspension, Rear	5240062F-038	1	
3	Bolt	96000-100508-OKL	6	M10x50
4	Asm., Suspension, Front	5110062F-038	2	

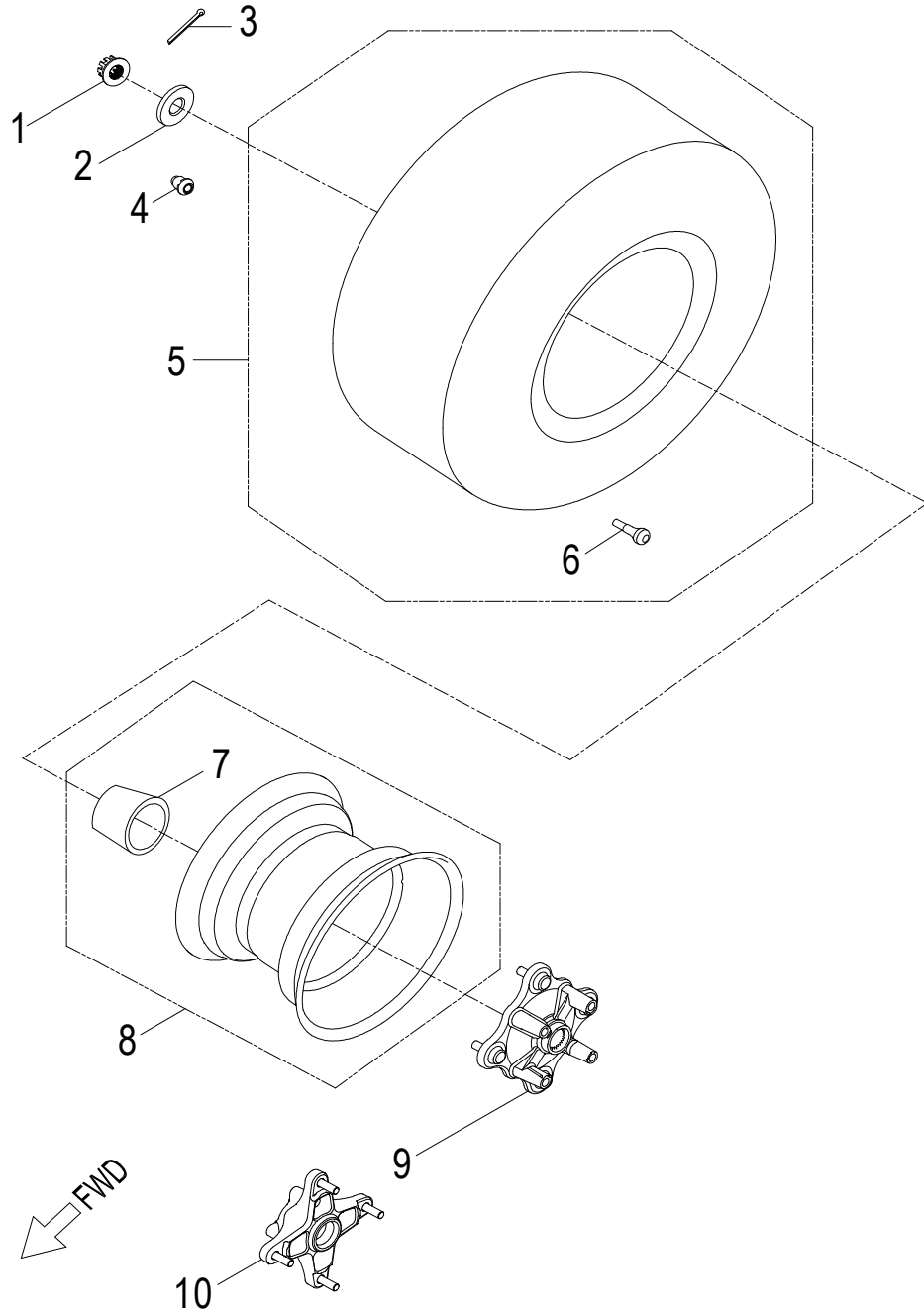


**D-24: FRONT WHEEL**



Item	Description	Part number	Q.ty	Note
1	Nut	90352-18000-00C	2	M18
2	Washer	94121-1835200-000	2	18x35x2
3	Pin, Cotter	94201-32320	2	
4	Nut	95112-10000-14B	8	
5	Tire	42711258-000	2	
6	Valve, Rim	42616201-000	2	
7	Dust Cover, Hub	42717203-000	2	
8	Front Rim	42702205-000	2	
9	Wheel Hub	42010207-000	2	
10	Plate, Front Brake, LH	45010203-000	2	
11	Bolt	45016131-00K	8	

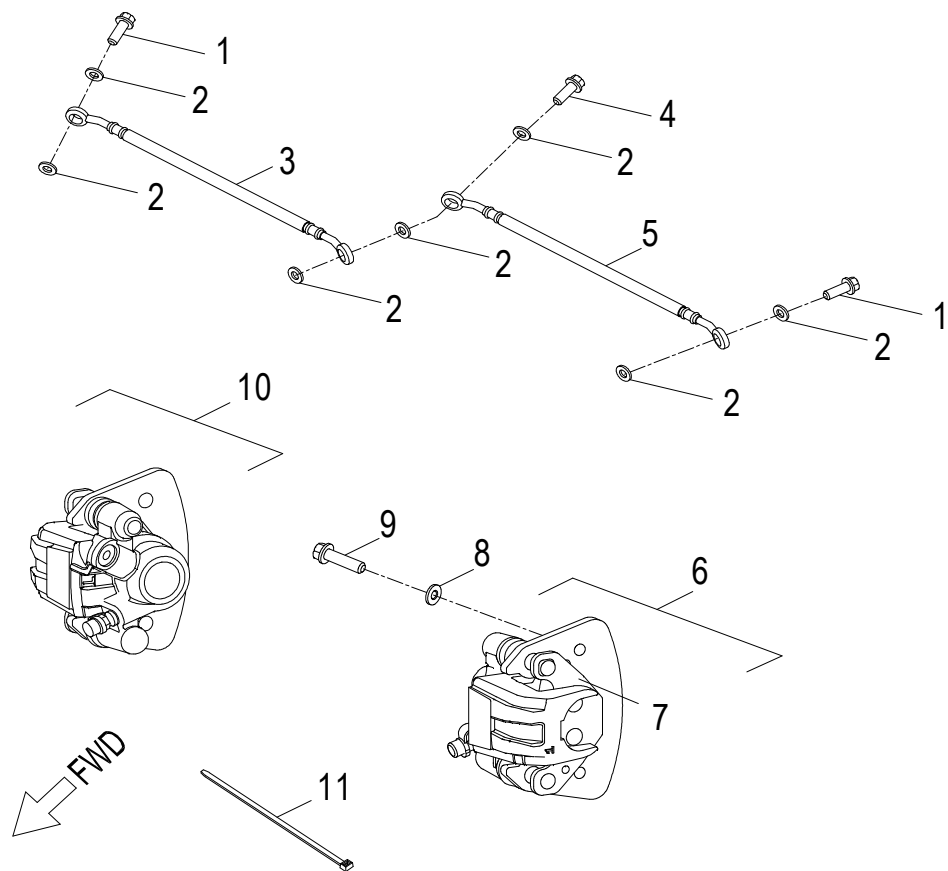
**D-25: REAR WHEEL**



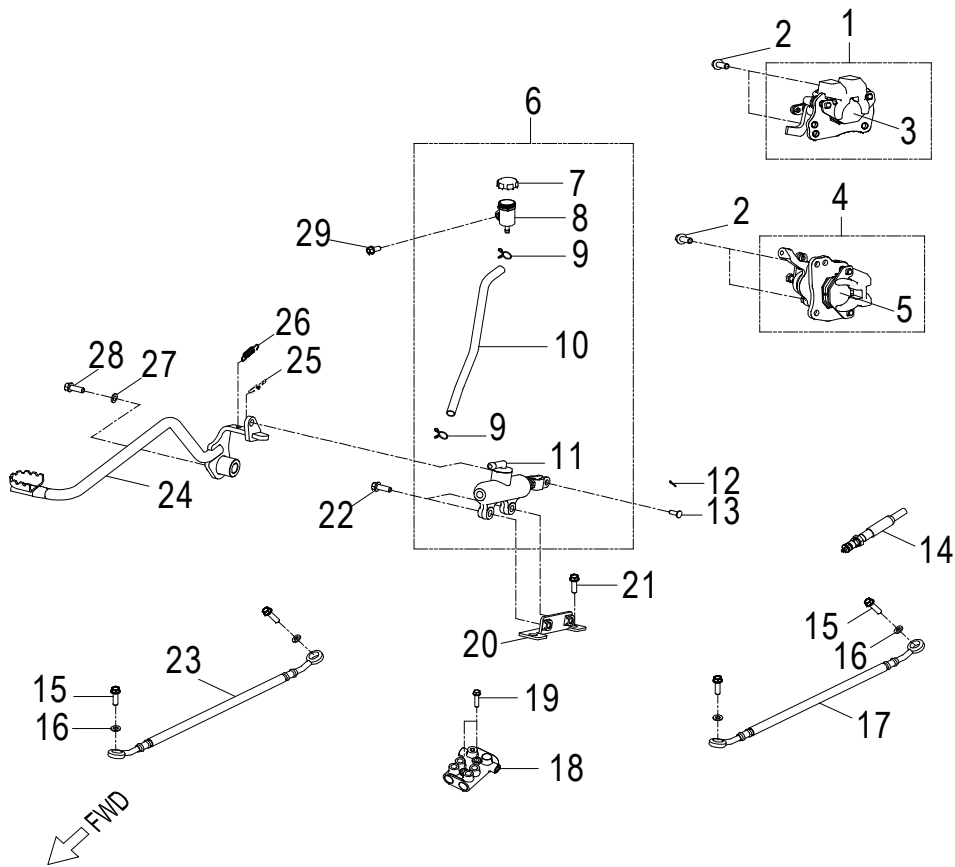
Item	Description	Part number	Q.ty	Note
1	Nut	90352-18000-00C	2	M18
2	Washer	94121-1835200-000	2	18x35x2
3	Pin, Cotter	94201-32320	2	
4	Nut	95112-10000-14B	8	
5	Tire	42811252-000	2	
6	Valve, Rim	42616201-000	2	
7	Dust Cover, Hub	42717204-000	2	
8	Rear Rim(Aluminum)	42802205-000	2	
9	Hub, Wheel, RH	4202039L-000	1	
10	Hub, Wheel, LH	4203039L-000	1	

**D-26: FRONT BRAKE**

Item	Description	Part number	Q.ty	Note
1	Bolt, Banjo	45456111-000	2	
2	Washer	94101-1015012-U0B	7	10.1x15x1.2
3	Hose, Brake	45447237-000	1	
4	Bolt, Banjo	45456202-000	1	
5	Hose, Brake	45447236-000	1	
6	Asm., Caliper, LH	45001205-001	1	
7	Pads, Caliper, Front	43121208-000	2	
8	Washer	94101-0816020-00C	4	8x16x2
9	Screw	96002-080308-00K	4	M8x30
10	Asm., Caliper, RH	45002205-001	1	
11	Strap	89569131-000	8	ALT-200M-B



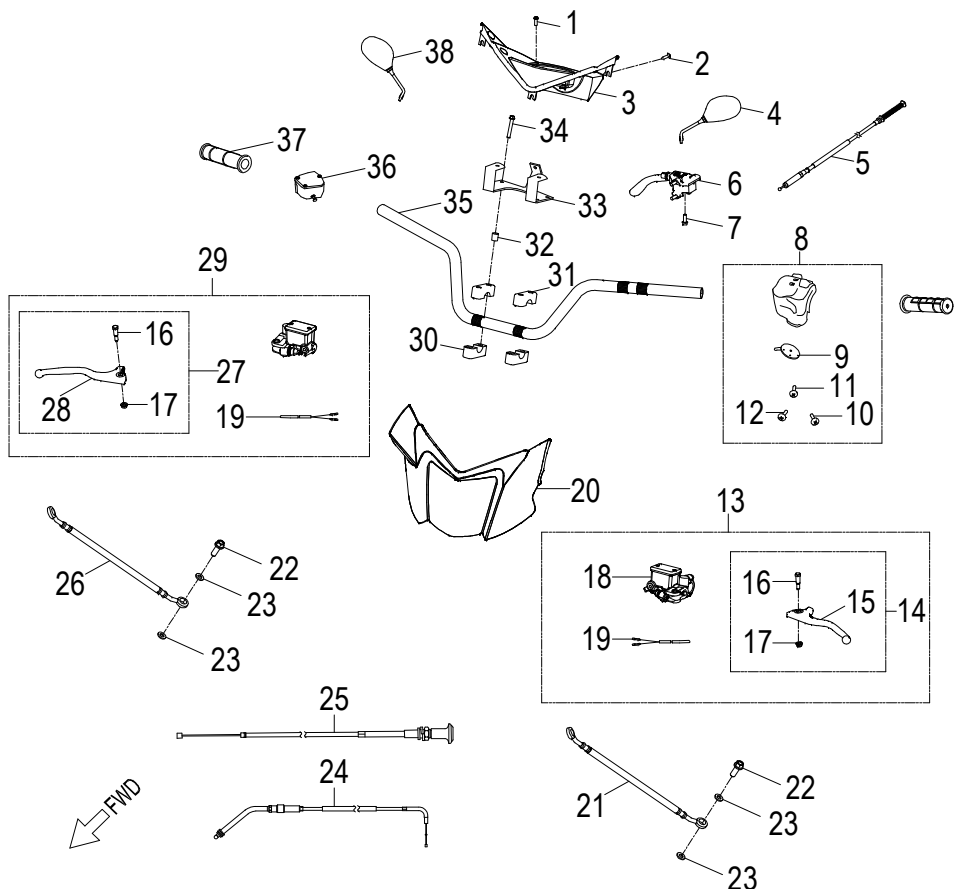
**D-27: REAR BRAKE**



Item	Description	Part number	Q.ty	Note
1	Asm., Parking Brake, LH	43205202-001	1	
2	Bolt	96000-100208-OKL	4	M10x20
3	Pads, Parking Brake	43201201-000	1	
4	Asm., Caliper, Rear	4500055E-000	1	
5	Pads, Brake	45120182-000	1	
6	Asm., Master Cylinder	4350062F-000	1	
7	Cap, Oil Tank	43016201-000	1	
8	Oil Tank, Brake	43503204-000	1	
9	Clamp	94515-12008	2	12x8
10	Hose, Brake	4544762F-000	1	
11	Master Cylinder	4350155E-000	1	
12	Cotter Pin	94203-12200	1	
13	Pin	94302-07018	1	
14	Switch, Brake	34916201-000	1	
15	Bolt, Banjo	45456111-000	5	
16	Washer	94101-1015012-U0B	10	10.1x15x1.2
17	Hose, Rear Brake, Lower	45449223-000	1	
18	Brake Shunt	45470201-000	1	
19	Bolt	91000-080408-00C	2	M8x40
20	Bracket, Master Cylinder	43417208-067	1	
21	Bolt	96000-080148-00K	2	M8x14
22	Bolt	92001-080258-00K	2	
23	Hose, Rear Brake, Lower	45449222-000	1	
24	Pedal, Brake	4345662F-067	1	
25	Spring, Switch	43422202-000	1	
26	Spring, Brake	50507002-000	1	
27	Washer	94101-0822020-00C	1	8x22x2
28	Bolt	96000-080168-00K	1	M8x16
29	Bolt	96000-060128-OKL	1	M6x12

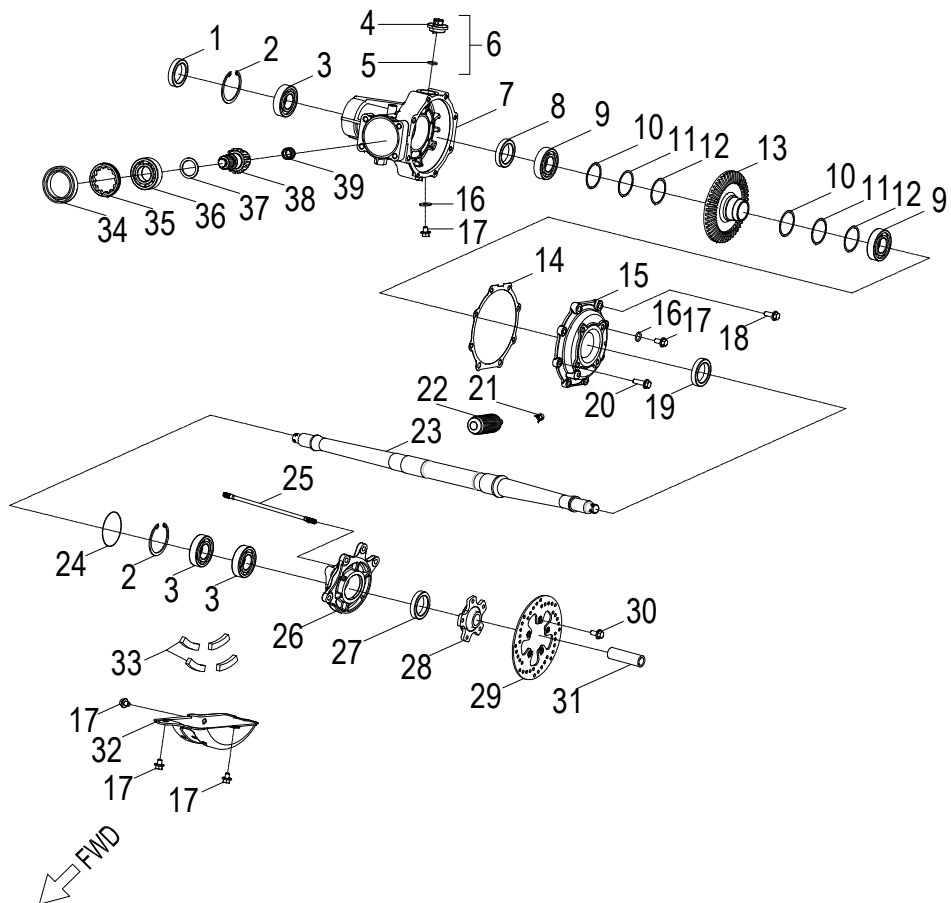


**D-28: HANDLEBAR**



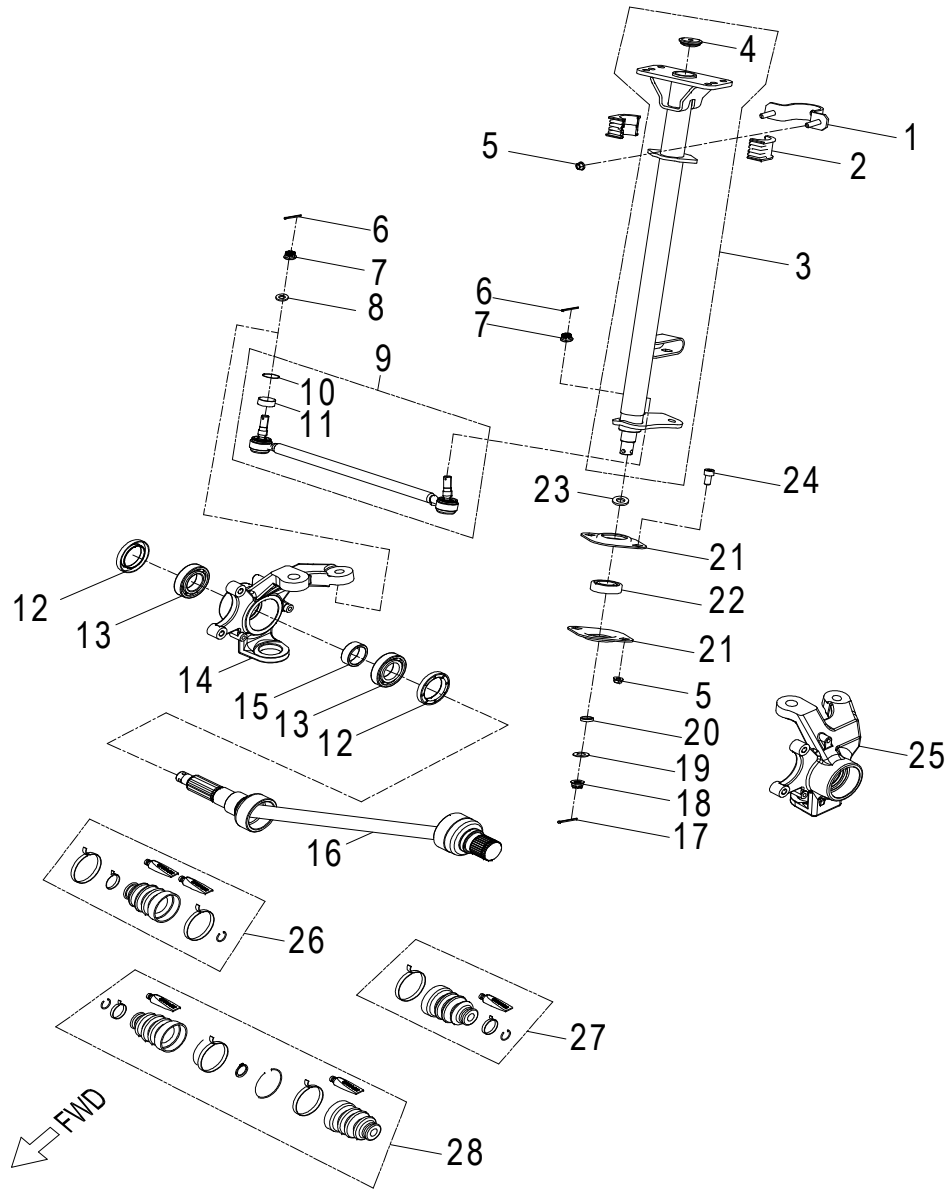
Item	Description	Part number	Q.ty	Note
1	Screw	93100-050208-00K	3	
2	Screw	93903-1040128-00K	3	M4x12
3	Pod, Handlebar	64211226-000	1	
4	Mirror, LH	88120201-001	1	Incl. 14~18
5	Cable, Parking Brake	38706213-001	1	
6	Lever, Parking Brake	3871055E-000	1	
7	Bolt	91000-060208-00K	2	
8	Asm., Switch, LH	35151227-001	1	Incl. 15~18
9	Asm., Manual Choke	35160201-000	1	
10	Bolt	93500-030068-00C	1	M3x6
11	Bolt	93500-060088-00K	1	M6x8
12	Screw	93100-030048-00B	2	M3x4
13	Asm., Lever LH	53171223-000	1	
14	Asm., Lever, LH	53163208-000	1	
15	Lever, Brake, LH	53178208-000	1	
16	Bolt	89220202-000	2	
17	Nut	94073-06006-00K	2	
18	Master Cylinder, Left	53185219-000	1	
19	Sensor, Taillight	35345201-000	2	
20	Cover, Handlebar, Lower	64212204-116 64212204-507	1	Black Red
21	Hose, Front Brake, Upper	45448208-000	1	
22	Bolt, Banjo	45456111-000	4	
23	Washer	94101-1015012-U0B	8	10.1x15x1.2
24	Cable, Throttle	53910223-000	1	
25	Choke, Cable, Manual	53922213-000	1	
26	Hose, Front Brake, Upper(R)	45474201-000	1	
27	Asm., Lever, RH	53164206-000	1	
28	Lever, Brake, RH	53175206-000	1	
29	Asm., Lever, RH	53172216-000	1	
30	Clamp, Lower	5320039A-000	2	
31	Clamp, Upper	5321039A-000	2	
32	Spacer	51311131-000	4	
33	Bracket, Pod	53310218-000	1	
34	Bolt	96000-080768-12B	4	
35	Handlebar	5310055E-067	1	
36	Control, Throttle	5390055E-000	1	
37	Grip, Handlebar	53167201-000	2	
38	Mirror, RH	88110204-000	1	

**D-29: REAR WHEEL AXLE**



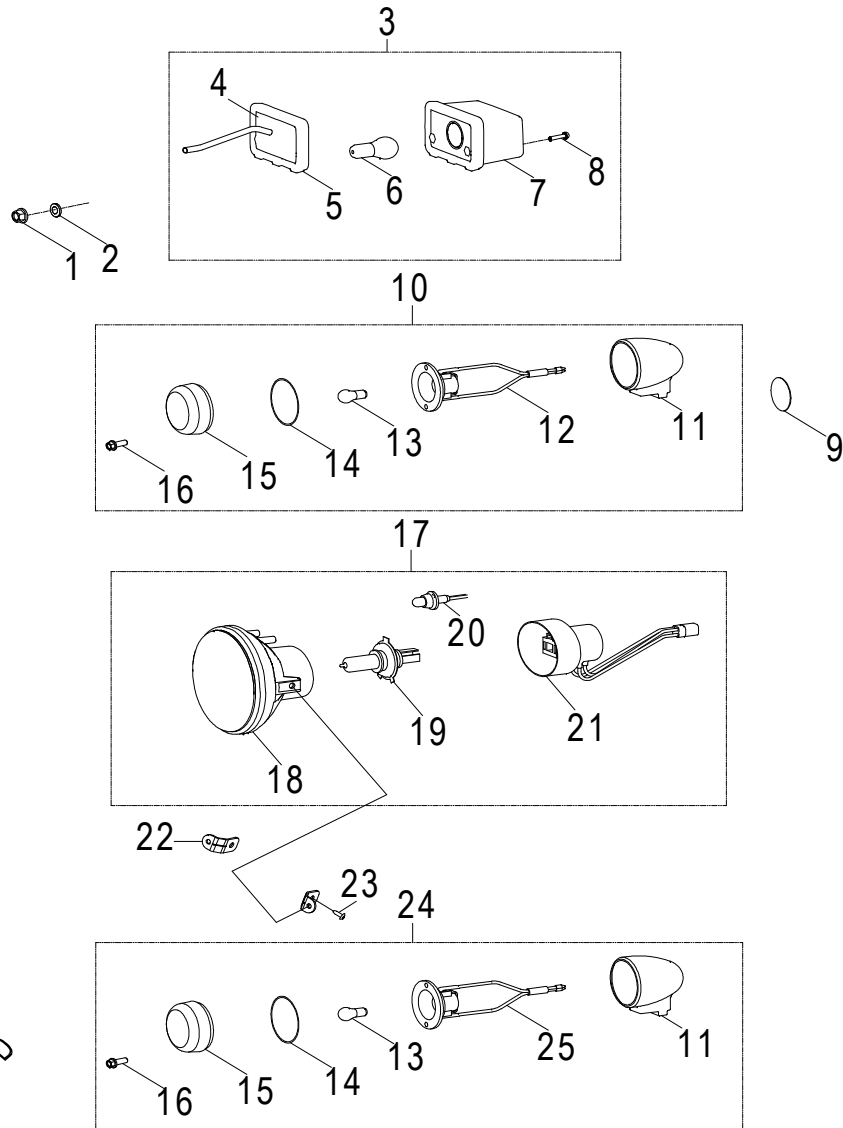
Item	Description	Part number	Q.ty	Note
1	Seal, Oil	96500-306207A7271	1	
2	Clip, Cir	94512-6200R	2	
3	Bearing, Ball	96100-6206-LLUC3/ZG	3	
4	Plug, Drain, Oil	11334119-000	1	
5	O-Ring	93210-03132	1	30.8mm
6	Asm., Cap	1542539A-000	1	
7	Gearcase	4210039B-001	1	
8	Seal, Oil	96500-415607A7271	1	
9	Bearing, Ball	96100-69090-00000	2	
10	Shim	42401201-000	2	
11	Shim	42401202-000	2	
12	Shim	42401203-000	2	
13	Gear, Bevel	42320203-000	1	
14	Gasket, Cover	4229139A-002	1	
15	Cover, Gearcase	4220055E-000	1	
16	Washer	94101-0816020-00L	2	
17	Bolt	96000-080108-00K	5	M8x10
18	Bolt	96000-080288-00B	6	
19	Seal, Oil	96500-415106A2650	1	
20	Bolt	96000-100358-00B	2	
21	Clamp	94515-11007	1	
22	Bellows	16600201-000	1	
23	Axle	4200062F-000	1	
24	O-Ring	93210-06725	1	
25	Stud	91001-100488-00B	4	
26	Housing, Rear axle	4280555E-000	1	
27	Seal, Oil	96500-405707A7271	1	
28	Hub, Disc	4349055E-000	1	
29	Disc, Brake	43511202-000	1	
30	Bolt	45016131-00K	5	
31	Tube, Spacer	4281062F-000	1	
32	Shield, Gearcase	4352639A-067	1	
33	Foam	3720439A-000	4	
34	Seal, Oil	96500-347210A7271	1	
35	Nut	90204-65000-000	1	
36	Bearing, Ball	96100-62060-00000	1	
37	Shim	4241039A-000	1	
38	Gear, Pinion	42310203-000	1	
39	Bearing, Needle	96200-142213	1	

**D-30: STEERING**



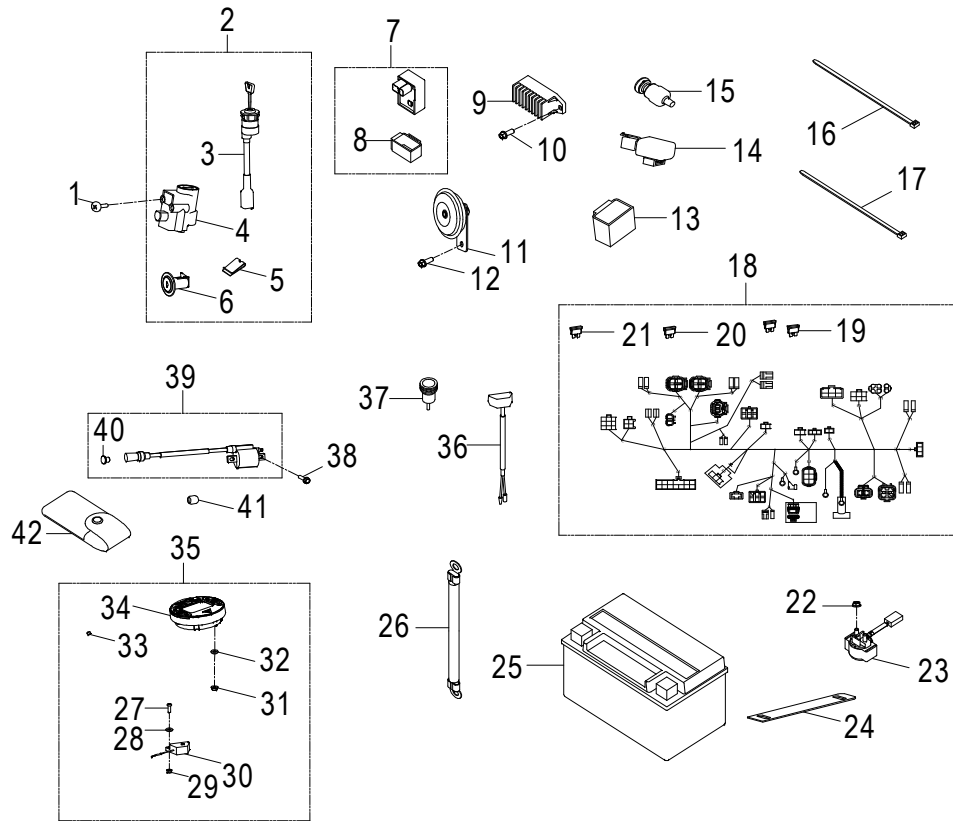
Item	Description	Part number	Q.ty	Note
1	Steering Shaft Fix Comp	5349039A-000	1	
2	Sleeve, Steering Shaft	5122039A-000	2	
3	Shaft, Steering	51107241-067	1	
4	Cap, Rubber	19611202-000	1	
5	Nut	90355-10000-14C	4	
6	Pin, Cotter	94201-23250	8	
7	Nut, Lock	90351-12000-00C	4	M12x1.25
8	Washer	94101-1225020-00C	4	12.1x25x2
9	Asm., Tie Rod	5341062F-000	2	
10	Ciamp	94514-09255	4	
11	Boot	16129201-000	4	
12	Seal, Oil	96500-385507A7271	4	
13	Bearing, Ball	96100-60060-LLU00	4	
14	Asm., Steering Knuckle, RH	51330211-000	1	
15	Spacer	44315202-000	2	
16	Front driving shaft	4207062F-000	2	
17	Pin, Cotter	94201-32320	1	
18	Shaft, Prob	90353-18000-00C	1	
19	Washer	94121-1835200-000	1	18x35x2
20	Spacer	4431339A-000	1	
21	Flangette	5111139A-000	2	
22	Bearing, Ball	0490004-000	1	
23	Washer	94101-2030020-00C	1	
24	Bolt, Carriage	95021-100228-00C	2	
25	Asm., Steering Knuckle, LH	51325211-000	1	
26	Kit, Boot, Outer	88558201-000	1	
27	Kit, Boot, Inner	88558202-000	1	
28	Asm., Kit, Boot	88558203-000	1	

**D-31: LIGHTS**



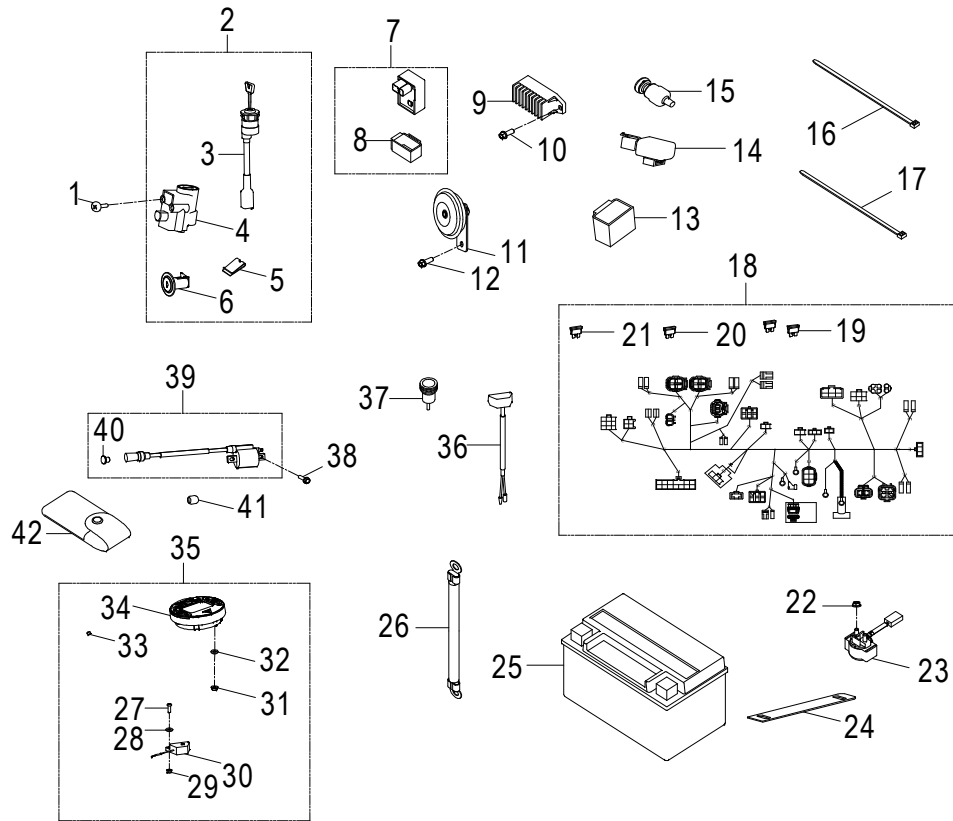
Item	Description	Part number	Q.ty	Note
1	Nut	94050-06000-00C	2	M6
2	Washer	94101-0619010-00C	2	6.1x19x1
3	Asm., Taillight	3370039A-000	1	Incl. 2~6
4	Gasket	33716205-000	1	
5	Socket, Taillight	33711204-000	1	
6	Bulb, Taillight	34906201-000	1	
7	Lens, Taillight	33702202-000	1	
8	Bolt	93500-035398-SUS	2	M3x38
9	Reflector	3374155E-000	2	
10	Asm., Signal, Front, RH	33400216-000	2	
11	Socket Signal	33604201-000	4	
12	Socket, Signal, RH	33442201-000	2	
13	Bulb, Signal	33905205-000	4	
14	O-Ring	93210-04920	4	
15	Lens, Signal	33603201-000	4	
16	Screw	93903-1030148-00C	8	M3x14
17	Asm., Headlight	33100231-001	2	
18	Lens, Headlight	33110225-000	2	
19	Bulb, Headlight	34901222-000	2	
20	Bulb, Parking	34909203-000	2	
21	Socket, Headlight	33111226-000	2	
22	Bracket, Headlight	33201202-000	4	
23	Screw	93903-1050128-00K	4	M5x12
24	Asm., Signal, Front, LH	33450216-000	2	
25	Socket, Signal, LH	33441201-000	2	

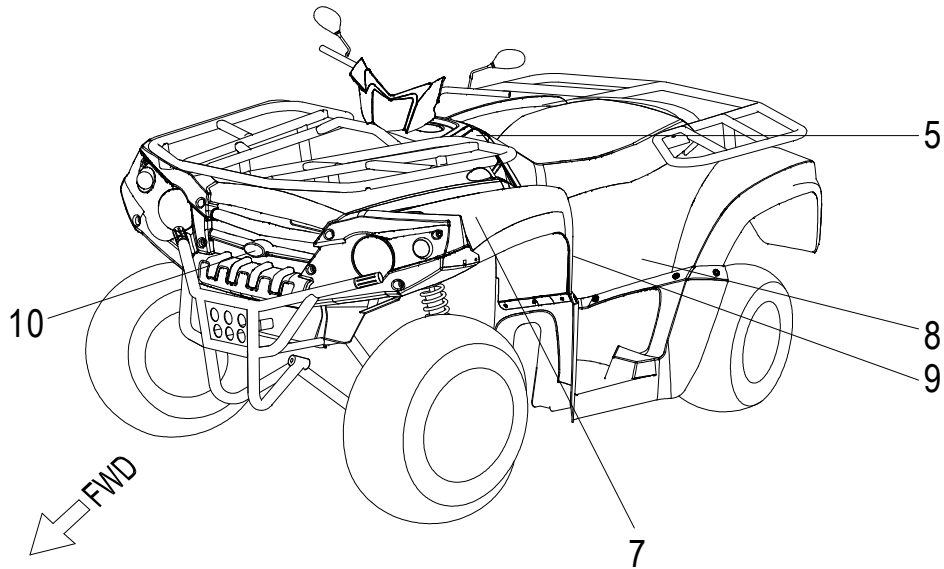
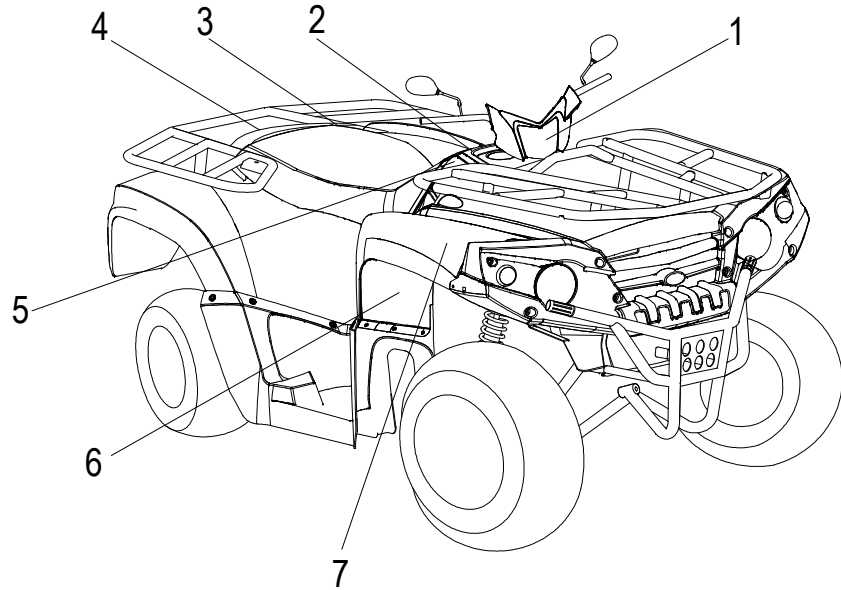
**D-32: ELECTRICAL PARTS**



Item	Description	Part number	Q.ty	Note
1	Bolt	93100-050128-00K	2	M5x12
2	Asm., Main Switch	35100253-000	1	
3	Switch, Main	35102228-000	1	
4	Lock, Steering	35106208-000	1	
5	Clip, Main Switch	35101131-000	1	
6	Lock , Seat	77233201-000	1	
7	Asm., CDI Unit	30410247-000	1	
8	Pad, Rubber	30411207-000	1	
9	Rectifier/ Regulator	31600215-000	1	
10	Bolt	96000-060148-10K	2	M6x14
11	Horn	38110119-000	1	
12	Bolt	96000-080128-0KL	1	M8x12
13	Fuse Box	32109201-001	1	
14	Relay, Parking	38701202-000	1	
15	Power Supplier	38130179-000	1	
16	Strap	89569131-000	21	ALT-200M-B
17	Strap	89769111-000	1	
18	Harness, Main Wire	32100277-000	1	
19	Fuse	32106201-000	2	15A
20	Fuse	32106202-000	1	10A
21	Fuse	32106203-000	1	30A
22	Nut	94050-06000-00K	2	M6
23	Starter Relay	38501119-000	1	
24	Strap, Battery	89750202-000	1	
25	Battery	3150039A-000	1	12AH
26	Asm., Battery Cable	3200155E-000	1	
27	Screw	93100-040128-00B	2	
28	Washer, Spring	94111-0412010-00B	2	
29	Nut	94001-04000-08B	2	
30	Sensor, Speedometer	37206201-000	1	
31	Nut	94001-06000-10B	2	
32	Washer	94101-0613010-00B	2	
33	Magnet, Speedometer	37203206-000	1	
34	Speedometer	3720555E-000	1	
35	Asm., Speedometer	3720055E-000	1	
36	Switch, 2D/4D	50327202-001	1	
37	Relay, Signal	38302204-000	1	
38	Bolt	96000-060208-10K	2	M6x20
39	Asm., Ignition Coil	30510212-000	1	
40		3060550T-000	1	

Item	Description	Part number	Q.ty	Note
41	Rubber, Ignition Coil	3070450T-000	1	
42	Pouch, Tool	89120215-000	1	





Item	Description	Part number	Q.ty	Note
1	Decal, "CROSSLAND 400"	87757204-000	1	
2	Decal, Warning, Reverse	87854202-000	1	
3	Decal, Warning, Rack	87869131-000	1	
4	Decal, "CROSSLAND 400"	87717215-000	1	
5	Decal, "CROSSLAND 400"	87755204-000	2	
6	Decal, Warning, Y-16	87851173-000	1	
7	Decal, "4x4"	87715243-000	2	
8	Decal, Drain bolt	87843201-000	1	
9	Decal, General Warning	87852159-000	1	
10	Decal, Logo, "A"	87758201-000	1	