

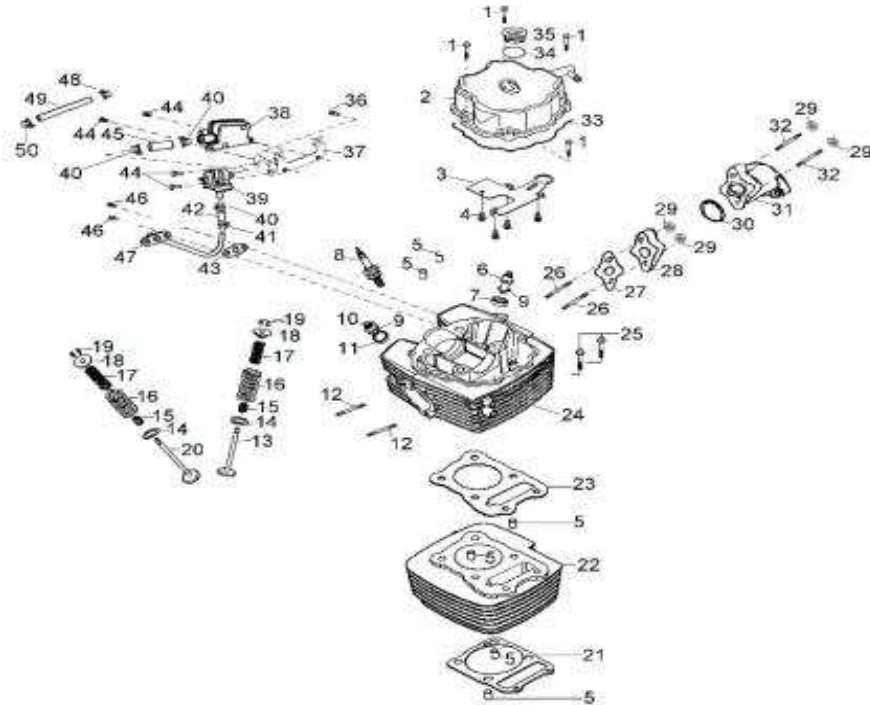
COBBLESTONE 220

FOUR STROKE POWER



A **ALEON**
ATV SPECIALIST

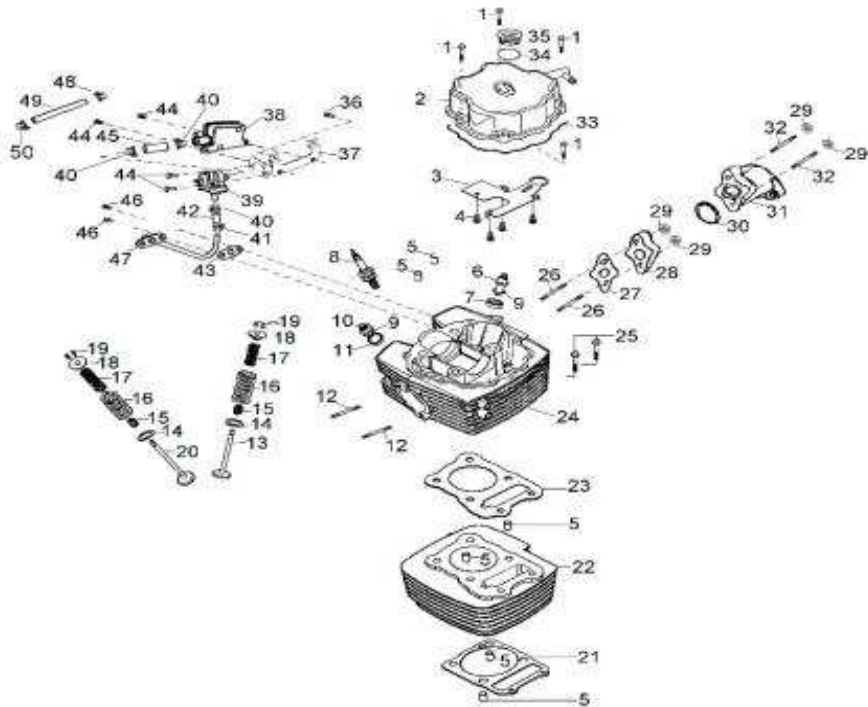
D-1: CYLINDER HEAD



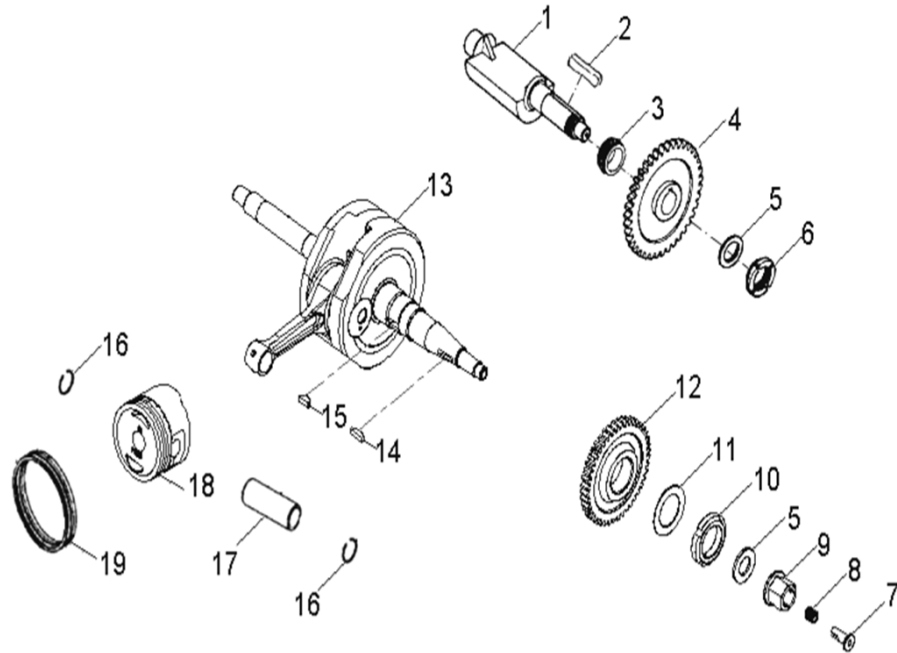
ITEM	DESCRIPTION	P/N	Q'TY
1	Bolt	96000-060258-08C	4
2	Cover, Cylinder Head	1230939A-000	1
3	Breather, Crankcase, Lower	1230239A-000	1
4	Screw	93903-1040088-00K	4
5	Pin, Dowel	94301-10140	6
6	Guide, Valve Intake	12204119-000	1
7	Seat, Intake	1220239A-000	1
8	Plug, Spark	98076119-00A	1
9	O-Ring	93210-00915	2
10	Guide, Valve Exhaust	12206119-000	1
11	Seat, Exhaust	1220339A-000	1
12	Bolt, Stud	91001-080328-00C	2
13	Valve, Intake	1471139A-000	1
14	Seat, Valve, Spring, Outer	14775119-000	2
15	Seal, Valve	12209119-000	2
16	Spring, Valve, Outer	1475139A-000	2
17	Spring, Valve, Inner	1476139A-000	2
18	Retainer, Valve, Spring	14771119-000	2
19	Clip, Retainer	14781119-000	4
20	Valve, Exhaust	1472139A-000	1
21	Gasket, Cylinder	1219139A-000	1
22	Cylinder	1210139E-000	1
23	Gasket, Cylinder Head	1225139A-000	1
24	Head, Cylinder	1220139E-000	1
25	Bolt	96000-061208-08C	2
26	Bolt, Stud	91001-060408-00C	2
27	Gasket, Manifold	1711339A-000	1
28	Insulator, Manifold	1711239A-000	1
29	Nut	94050-06000-00C	4
30	O-Ring	93210-03430	1
31	Manifold	1710139E-000	1
32	Bolt, Stud	91001-060288-00C	2
33	O-Ring, Head Cover	1239139A-000	1
34	O-Ring	93210-01425	1
35	Cap	96600-14095000000	1
36	Bolt	96000-060128-0KL	2
37	Bracket, Dual- Intake	1899839E-000	1
38	Asm.,Filter, Daul- Intake	18995202-000	1
39	Valve, Dual-Intake	1899939E-000	1
40	Clip	94510-15000	3

D-1: CYLINDER HEAD

ITEM	DESCRIPTION	P/N	Q'TY
41	Clip	94510-13000	1
42	Hose, Rubber	14420206-000	1
43	Gasket, Hose	1864639E-000	1
44	Bolt	96000-060168-00K	4
45	Hose, Rubber	96420-01016-040	1
46	Bolt	96000-060168-08C	2
47	Tube, Dual- Intake	18640201-000 <i>Bef. -4508</i>	1
		18640202-000	
48	Clip	94510-06500	1
49	Hose, Dual- Intake	94407-04007-090 <i>Bef. -1663</i>	1
		94407-04007-045	
50	Clip	94510-06500	1

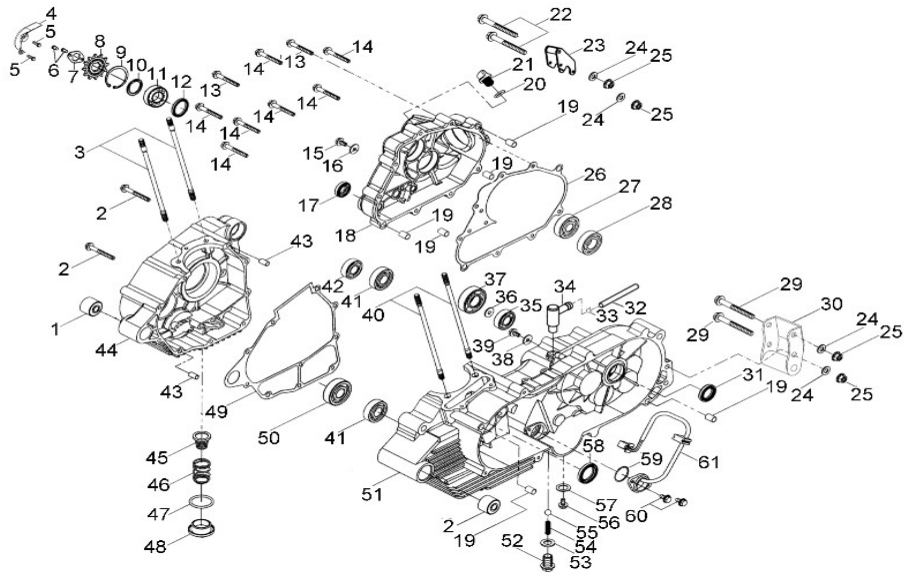


D-2: CRANKSHAFT



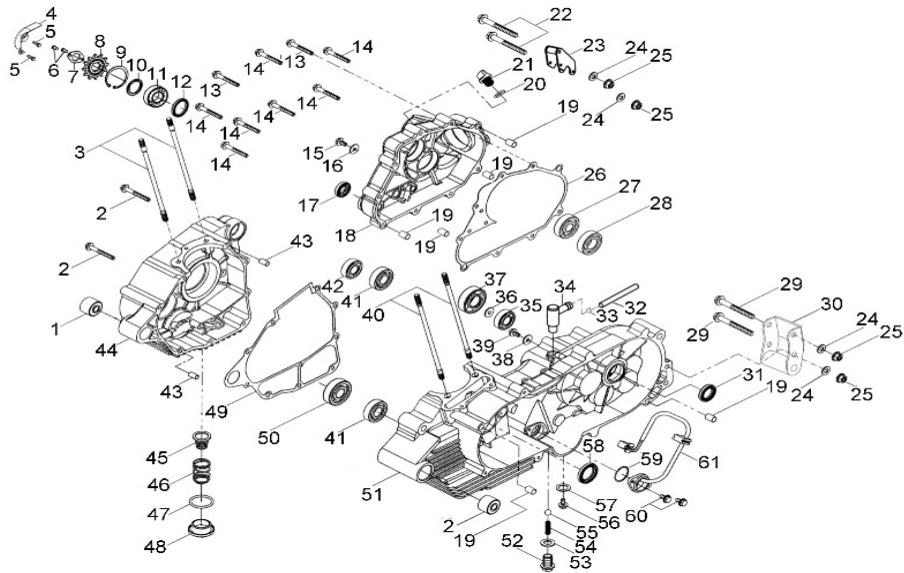
Item	Description	Part Number	Q.ty
1	Shaft, Balance	1342139A-000	1
2	Key, Woodruff	90472-40420	1
3	Sprocket, Oil Pump	1432239A-000	1
4	Gear, Balance, Driven	1341839A-000	1
5	Washer	94101-1426020-00C	2
6	Nut, Lock	94071-14000-000	1
7	Tube, Oil, Crankshaft	1544139A-000	1
8	Spring, Oil	1544739A-000	1
9	Nut	94001-14000-00C	1
10	Nut, Lock	94071-25000-000	1
11	Washer	94101-2538010-000	1
12	Gear, Balance, Drive	1341739A-000	1
13	Asm., Crankshaft	1300039C-000	1
14	Key, Woodruff	90471-13004	1
15	Key, Woodruff	90471-25404	1
16	Clip, Piston Pin	1311539A-000	2
17	Pin, Piston	1311139A-000	1
18	Piston	1310039A-000	1
19	Ring Set, Piston	1301139A-000	1

D-3: CRANKCASE



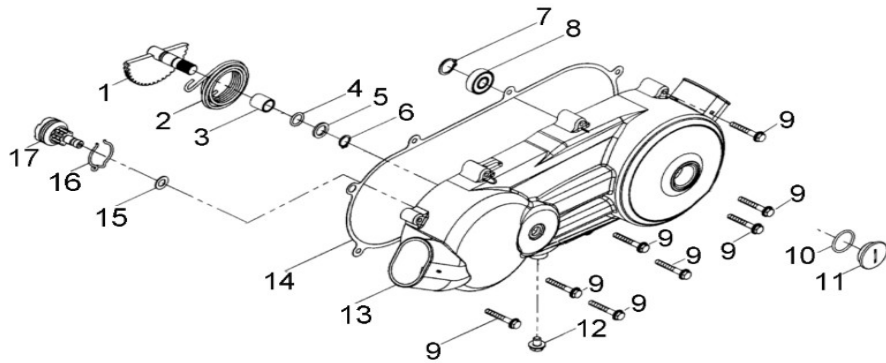
ITEM	DESCRIPTION	P/N	Q'TY
1	Bush, Rubber	1120939C-000	2
2	Bolt,	96000-060508-08C	2
3	Bolt, Stud	91001-082068-00C	2
4	Cover, Sprocket	40520203-000	1
5	Bolt	96000-060148-0KL	2
6	Bolt	92000-060108-00C	2
7	Bracket, Sprocket	23811201-000	1
8	Sprocket, Drive	23801207-000	1
9	Clip, Cir	91512-5200R	1
10	Clip, Cir	94511-2500S	1
11	Bearing, Ball	96100-62050-LLU00	1
12	Seal, Oil	96500-304005A7271	1
13	Bolt	96000-060508-08C	2
14	Bolt	96000-060458-08C	7
15	Bolt	96000-060088-00K	1
16	Washer	94101-0612010-00U	1
17	Seal, Oil	96500-142807A7271	1
18	Cover, Transmission	2130139C-000 <i>Bef. -4531</i> 2130139B-000	1
19	Pin, Dowel	94301-10140	6
20	O-Ring	93210-01324	1
21	Plug, Oil	15650111-001	1
22	Bolt	96000-080558-00C	2
23	Rear engine bracket	5037039C-000	1
24	Washer	94101-0816020-00C	4
25	Nut	94050-08000-00C	4
26	Gasket, Transmission Cover	2139539A-000	1
27	Bearing, Ball	96100-63020-00000	1
28	Bearing, Ball	96100-60040-00000	1
29	Bolt	96000-080708-12C	2
30	Bracket, Motor Mount	1120839C-000	1
31	Seal, Oil	96500-203206T3034	1
32	Hose, Vent	94408-05009-300	1
33	Clip	94510-08000	1
34	Breather, Crankcase, Lower	1230539A-000	1
35	Bearing, Needle	96200-172312	1
36	Washer	94101-1733015-000	1
37	Bearing, Ball	96100-62040-JR2C3	1
38	Washer	94101-0618015-00K	1
39	Bolt	96000-060128-08C	1

D-3: CRANKCASE



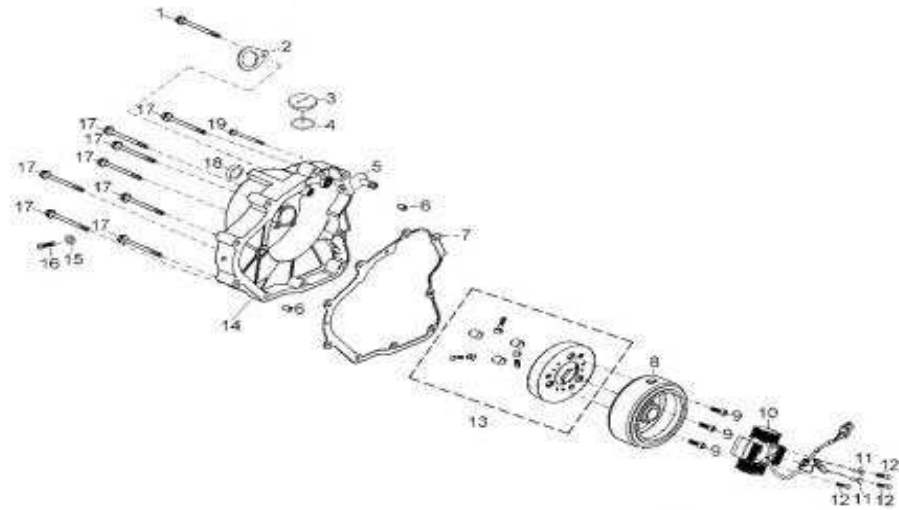
ITEM	DESCRIPTION	P/N	Q'TY
40	Bolt, Stud	91001-082148-00C	2
41	Bearing, Ball	96100-62030-00000	2
42	Bearing, Ball	96100-62020-00000	1
43	Pin, Dowel	94301-08140	2
44	Crankcase, RH	1110139A-000 <i>Bef. -4508</i>	1
		1110139B-000	
45	Screen	15421119-000	1
46	Spring, Screen	15426119-000	1
47	O-Ring	93210-03132	1
48	Plug, Drain, Oil	11334119-000	1
49	Gasket	1119139A-000	1
50	Bearing, Ball	96100-63030-00000	1
51	Crankcase, LH	1120139C-000 <i>Bef. -4508</i>	1
		1120139B-000	
52	Bolt	2430539A-000	1
53	Washer	94101-1422010-00L	1
54	Spring, Detent	2430639A-000	1
55	Ball, Steel	2132239A-000	1
56	Bolt	96000-120158-14C	1
57	Washer	94101-1221320-00L	1
58	Seal, Oil	96500-253807F5850	1
59	O-Ring	93210-02615	1
60	Bolt	96000-050168-00C	2
61	Sensor, shift	35759201-000	1

D-4: CRANKCASE COVER, LH



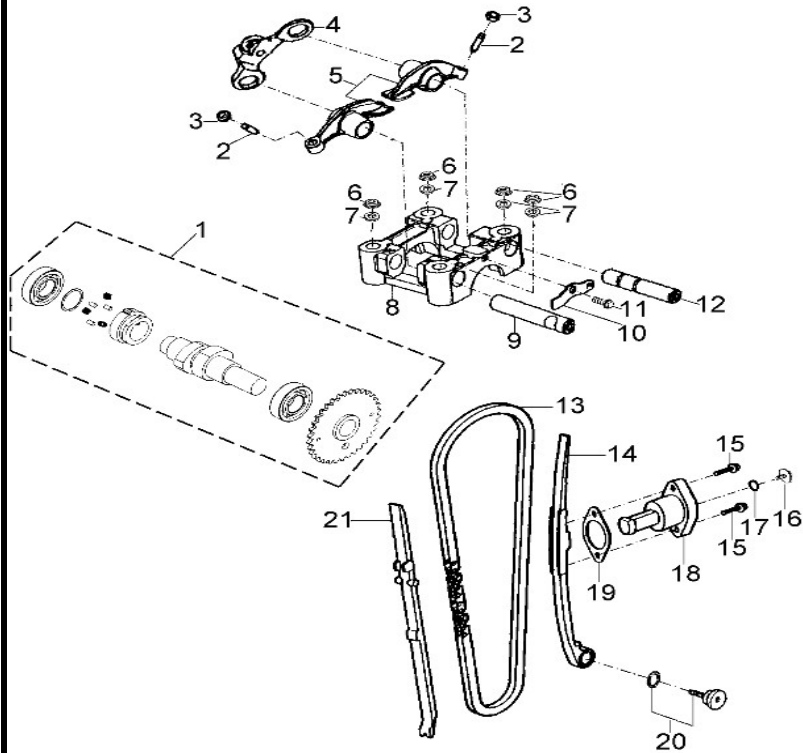
ITEM	DESCRIPTION	P/N	Q'TY
1	Asm., Shaft, Kick Start	2825039A-000	1
2	Recoil, Kick Start	2828139A-000	1
3	Spacer, Kick Start	2825339A-000	1
4	O-Ring	93210-01425	1
5	Washer	94101-1421020-00B	1
6	Retainer	94511-1400S	1
7	Retainer	94511-2000S	1
8	Bearing, Ball	96100-62010-LLU00	1
9	Bolt	96000-060408-08C	8
10	O-Ring	93210-02724	1
11	Cap	96600-30075000000	1
12	Bolt	96000-080108-00K	1
13	Cover, Clutch	1134139A-000 <i>Bef. -4508</i> 1134139B-000	1
14	Gasket, Crankcase, LH	1135939A-000	1
15	Washer	94101-1018010-000	1
16	Spring, Kick Start Gear	2822339A-000	1
17	Gear, Kick Start, Driven	2823039A-000	1

D-5: CRANKCASE COVER, RH



ITEM	DESCRIPTION	P/N	Q'TY
1	Bolt	96000-060128-08C	1
2	Retainer, Sight Glass	11333201-000	1
3	Cap	96600-30075000000	1
4	O-Ring	93210-02724	1
5	Breather, Crankcase	1230539A-000	1
6	Pin, Dowel	94301-08140	2
7	Gasket, Crankcase, RH	1139339C-000	1
8	Flywheel	31110206-000	1
9	Bolt	91000-080188-00C	3
10	Asm., Stator	3112039A-000	1
11	Bolt	92000-050128-00C	2
12	Screw	91300-050258-00C <i>Bef. -1663</i> 91300-050288-00C	3
13	Asm., One Way Clutch	2841039A-000	1
14	Cover, Crankcase, RH	1133039C-000	1
15	Washer	94101-0612010-00U	1
16	Bolt	96000-060108-08C	1
17	Bolt	96000-061208-08C	8
18	Oil Window	11202201-000	1
19	Bolt	96000-060458-08C	1

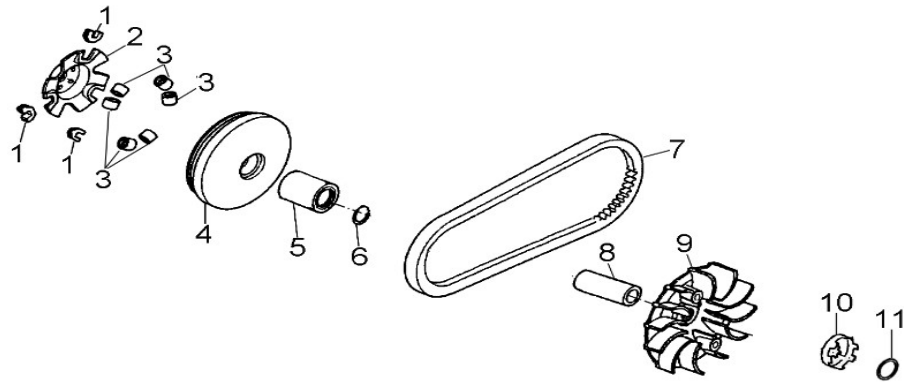
D-6: VALVE CAM



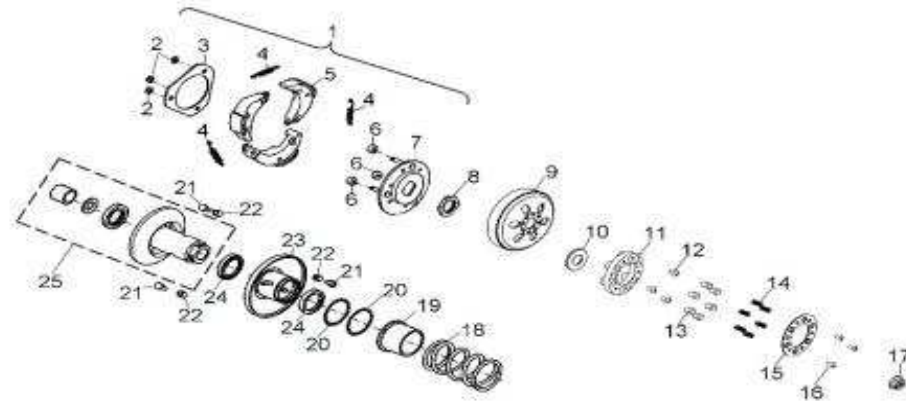
ITEM	DESCRIPTION	P/N	Q'TY
1	Asm., Cam Shaft	1440039A-000	1
2	Screw, Tappet Adj.	90012-06015	2
3	Nut, Tappet Adj.	90206-05000-00A	2
4	Asm., Decomp. Release	14456119-000	1
5	Arm, Valve, Rocker	1443139A-000	2
6	Nut	94050-08000-00C	4
7	Washer	94101-0818023-00U	4
8	Bracket, Cam Shaft	1221139A-000	1
9	Shaft, Exhaust, Rocker Arm	1445339A-000	1
10	Plate, Rocker arm Shaft	1445439A-000	1
11	Bolt	96000-060168-08C	1
12	Shaft, Intake, Rocker Arm	1445239A-000	1
13	Chain, Cam	1440139A-000	1
14	Guide, Cam Chain, RH	14550119-000	1
15	Bolt	96000-060228-14C	2
16	Screw	93000-060068-00K	1
17	O-Ring	93210-00915	1
18	Tensioner	14521119-000	1
19	Gasket, Tensioner	14523119-000	1
20	Pivot, Guide	14535119-000	1
21	Guide, Cam Chain, LH	1450039A-000	1

D-7: DRIVE CLUTCH

ITEM	DESCRIPTION	P/N	Q'TY
1	Slider	2213239A-000	3
2	Plate, Sheave	2213139A-000	1
3	Roller	2212139A-000	6
4	Sheave	22111201-000	1
5	Bushing, Sheave	22106202-000	1
6	Retainer	94518-3200R	1
7	Belt, Driven	2310039A-000	1
8	Shaft, Drive	22106201-000	1
9	Sheave, Moveable, Drive	2210239A-000	1
10	Bushing, Kick Start	2821139A-000	1
11	Washer	94101-1225023-000	1



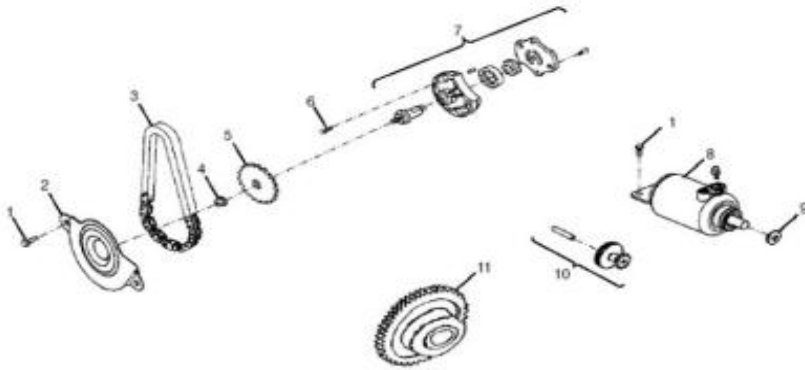
D-8: DRIVEN CLUTCH



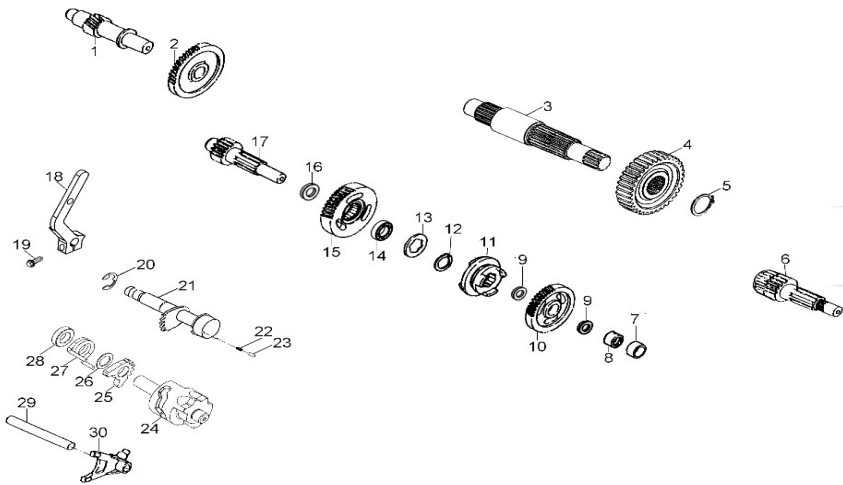
ITEM	DESCRIPTION	P/N	Q'TY
1	Asm., Driven Clutch	2200139A-000 <i>Bef -4508</i>	1
		2200039b-001	
2	Retainer	94511-0700E	3
3	Plate, Drive, Side	2235139A-000	1
4	Spring, Clutch	2240139A-000	3
5	Weight, Clutch	2253539A-000	3
6	Bushing, Rubber	2280439A-000	3
7	Plate, Drive, Inner	2235039A-000	1
8	Nut	90202-28000-00c	1
9	Cover, Clutch	2210039A-000 <i>Bef -4508</i>	1
		2210039C-000	
10	Washer	94101-1222040-000 <i>Bef -4508</i>	1
		94101-1222060-000	
11	Body, Thruster	2216439C-000	1
12	Bolt	91003-040608-00K	3
13	Roller, Thruster	2216339C-000	6
14	Spring, Thruster	2216239C-000	6
15	Retainer, Thruster	2216139C-000	1
16	Bolt	91003-030608-00K	3
17	Nut	94050-12000-00C	2
18	Spring, Clutch	2323339A-000 <i>Bef -5298</i>	1
		2323339A-001	
19	Seal, Collor	2323739A-000	1
20	O-Ring	93211-03619	2
21	Pin, Guide	2322539A-000	3
22	Roller, Guide	2322639A-000	3
23	Sheave, Moveable	2322039A-000	1
24	Seal, Oil	96500-34410400000	2
25	Asm., Sheave, Driven	2320039A-000	1

D-9: GENERATOR, STARTING MOTOR

ITEM	DESCRIPTION	P/N	Q'TY
1	Bolt	96000-060128-08C	2
2	Cover, Oil Pump	1571139A-000	1
3	Chain, Oil Pump	1514139A-000	1
4	Nut, Flange	94050-06000-00C	1
5	Sprocket, Oil Pump	15150119-000	1
6	Screw	93902-060308-00B	2
7	Asm., Pump, Oil	1510039A-000	1
8	Starter motor	31200204-000	1
9	O-Ring	93210-02431	1
10	Asm., Gear Starter	2842239A-000	1
11	Gear, Starter	2822039A-000	1

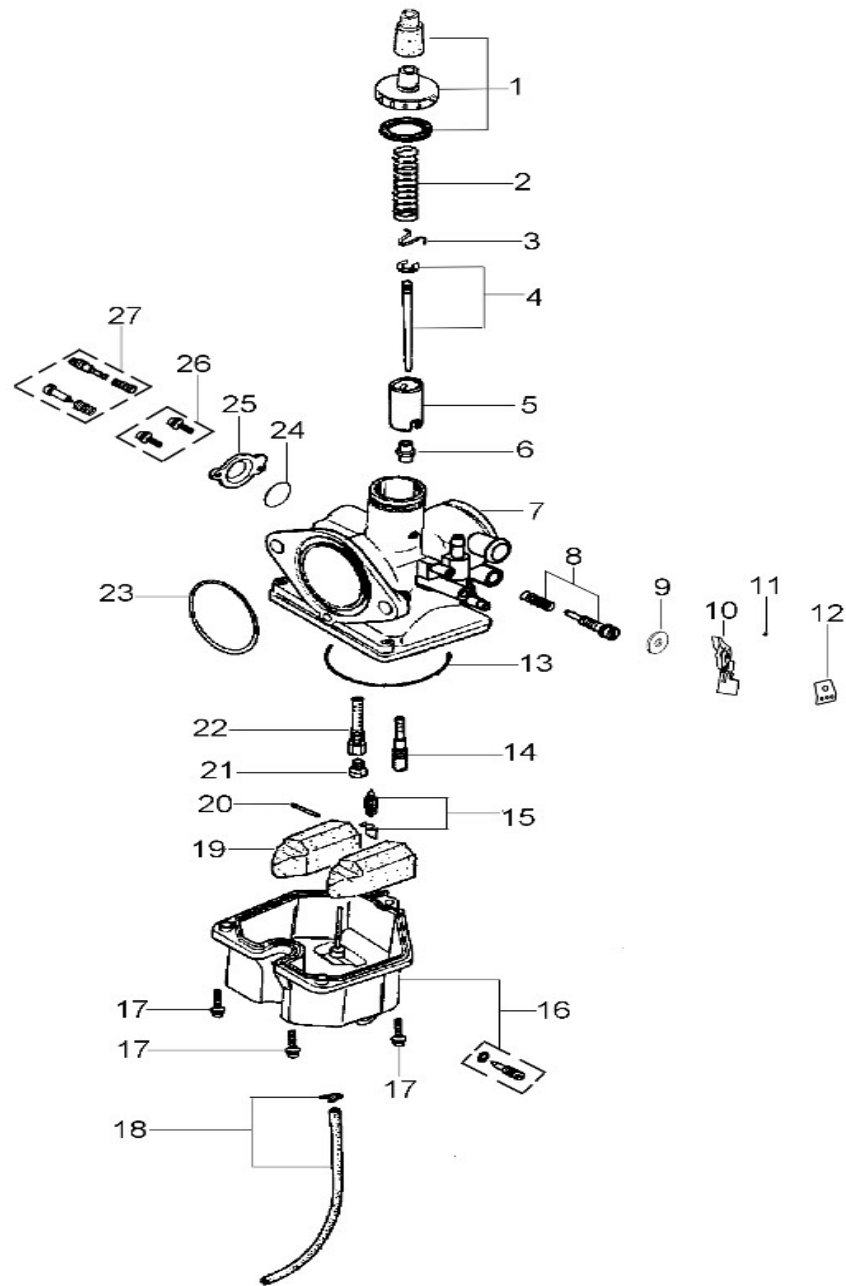


D-10: TRANSMISSION LEVER



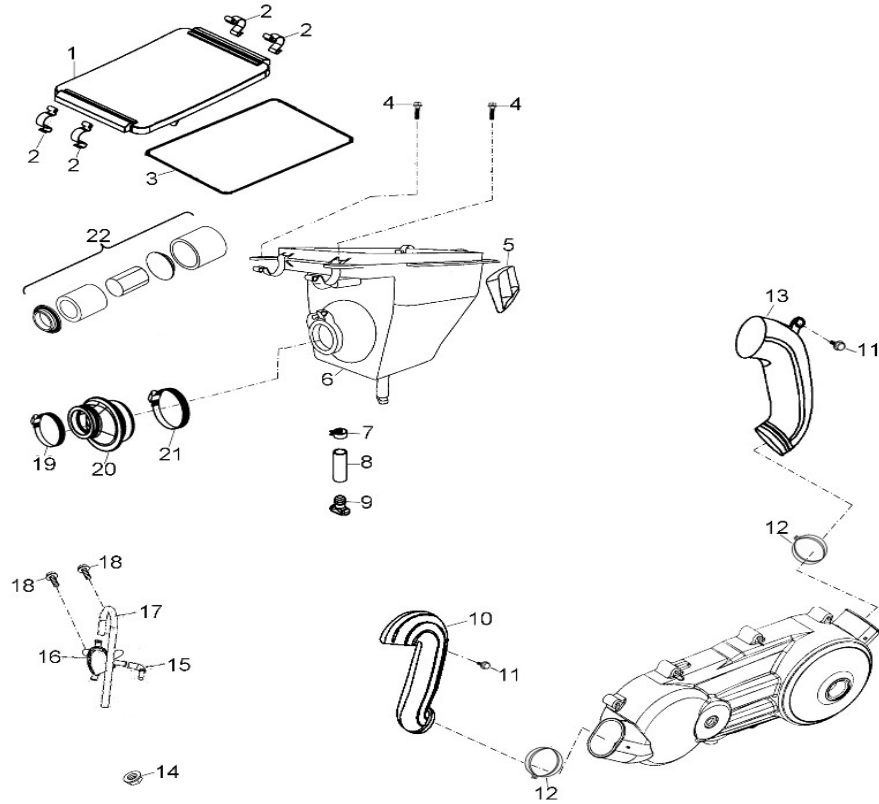
ITEM	DESCRIPTION	P/N	Q'TY
1	Shaft, Counter	2342139A-000	1
2	Gear, Counter	2342339A-000	1
3	Shaft	2343139C-000	1
4	Gear	2343239C-000	1
5	Retainer	94511-2400S	1
6	Shaft, Drive	2341139C-000	1
7	Collar, Shaft	2344239B-000	1
	Washer	94101-1519010-000	1
	Circlip	94511-1500S	1
8	Bushing	2345239A-000	1
9	Washer	94101-1724010-000	2
10+8	Gear	2345039B-000	
11	Ratchet, Shift	2843039A-000	1
12	Retainer	94511-2200S	1
13	Washer, Spline	2343539A-000	1
14	Bearing, Needle	96200-223013	1
15	Gear, Reverse	2346039A-000	1
16	Washer	94101-2236012-000	1
17	Shaft, Transmission	23441206-000	1
18	Lever, Shift	21317202-000	1
19	Bolt	96000-060258-00K	1
20	E-Clip	94513-1200E	1
21	Spindle, Shift	2461139A-000	1
22	Spring, Drum Sensor	2425339A-000	1
23	Roller, Drum Sensor	2425239A-000	1
24	Drum, Gear Shifter	2430139A-000	1
25	Detent	2430239A-000	1
26	Washer	94101-1320010-000	1
27	Recoil, Shift	2430339A-000	1
28	Collar, Shift	2430439A-000	1
29	Shaft, Gear Shift	2424139A-000	1
30	Fork, Shift	2423139A-000	1

D-11: CARBURETOR



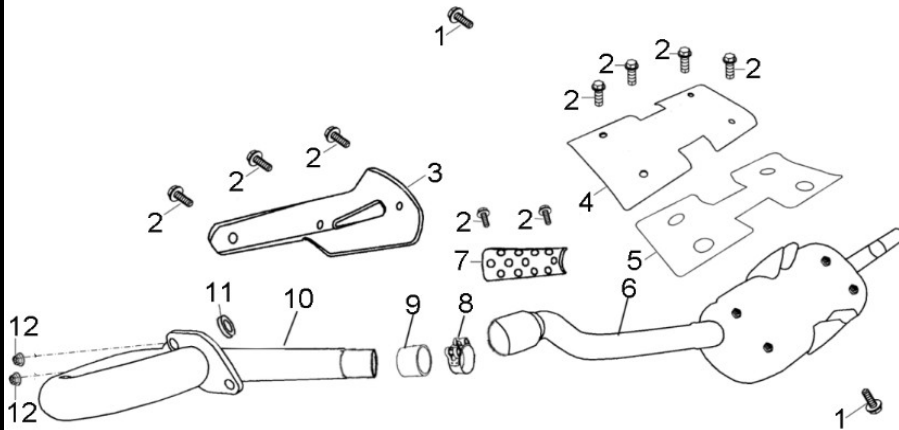
ITEM	DESCRIPTION	P/N	Q'TY
1	Asm., Cap	1614039A-000	1
2	Spring,	1610239A-000	1
3	Clip, Needle	1614539A-000	1
4	Asm., Jet Needle	1610439A-000	1
5	Throttle, Valve	1610339A-000	1
6	Needle, Jet	1615039A-000	1
7	Asm., Carburetor	16100213-000	1
8	Screw	1611539A-000	1
9	Washer	94101-0610010-00C	1
10	Choke, Lever	16122201-000	1
11	Ball, Steel	96211-02000	1
12	Bracket, Chock Lever	16121201-000	1
13	Seal, Float Body	1610639A-000	1
14	Jet, Pilot	16110203-000	1
15	Valve Float	1611739A-000	1
16	Float, Body	1610739A-000	1
17	Screw	93502-040168-00C	3
18	Drain Tube	1610939A-000	1
19	Float	1612339A-000	1
20	Pin, Float	1611939A-000	1
21	Jet, Main	1610839E-000	1
22	Valve, Needle	1610539A-000	1
23	O-Ring	93210-02924	1
24	O-Ring	93210-02619	1
25	Cover, Diaphragm	1615539A-000	1
26	Screw	93502-040088-00C	1
27	Asm., Screw	1611439A-000	1

D-12: AIR CLEANER



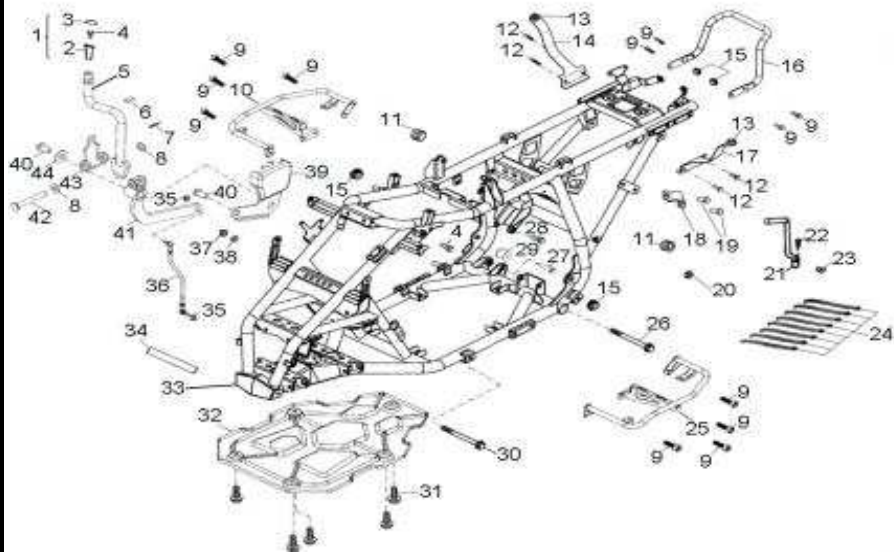
ITEM	DESCRIPTION	P/N	Q'TY
1	Cover, Air Cleaner	1720739A-000	1
2	Clip	1720839A-000	4
3	Gasket	3371639A-000	1
4	Bolt	92005-060168-00K	2
5	Inlet, Air Box	17257204-000	1
6	Box, Air Cleaner	17206204-000 Bef. -4508	1
		17206204-000	
7	Clamp	94515-15010	1
8	Hose, Drain	94404-01613-060	1
9	Plug, Trap	1737039A-000	1
10	Duct, Inlet	17255204-000	1
11	Bolt	92003-060168-00K	2
12	Clamp	8966939A-000	2
13	Duct, Outlet	17259201-000	1
14	Nut	94050-06000-00C	1
15	Tube, Breather, Inlet	17381205-000	1
16	Separator, Oil	17385203-000	1
17	Tube, Breather, Outlet	17382201-000	1
18	Bolt	96000-060168-00K	2
19	Clamp	17253202-000 Bef. -4508	1
		17253204-000	
20	Boot	89669203-000	1
21	Clamp	89669202-000	1
22	Element, Air Cleaner	17205201-000	1

D-13: EXHAUST PIPE



ITEM	DESCRIPTION	P/N	Q'TY
1	Bolt	96000-080168-0KL	2
2	Bolt	96000-060108-00B	9
3	Shield, Head Pipe	18315203-000	1
4	Shield, Silencer	18315206-000	1
5	Insulator, Silencer	18320201-000	1
6	Pipe, Silencer	18298207-000 <i>Bef. -4508</i> 18298215-000	1
7	Shield, Pipe, Silencer	18315207-000	1
8	Clamp	89669205-000	1
9	Collar	18321201-000	1
10	Headpipe	18299211-000 <i>Bef. 4508</i> 18299212-000	1
11	Gasket	18291119-000 <i>Bef. 4508</i> 18291201-000	1
12	Nut	94050-08000-00C	2

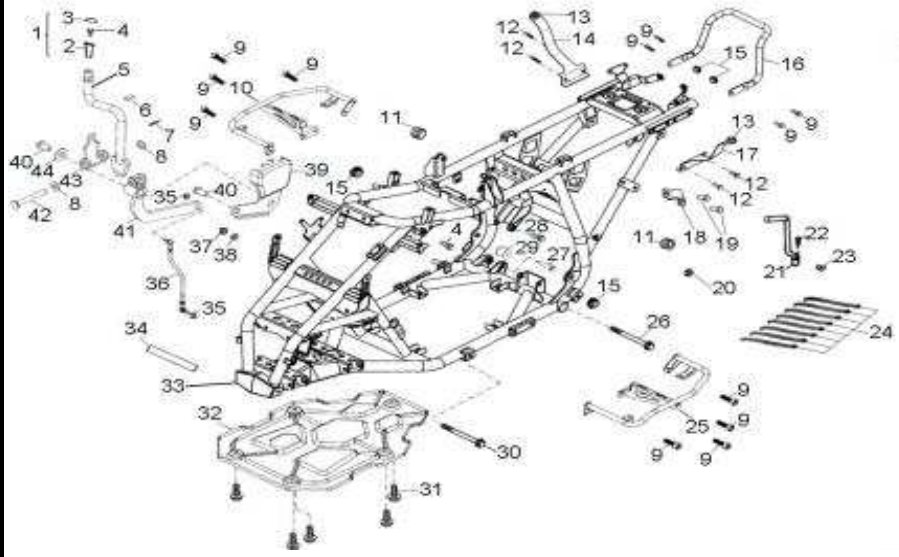
D-14: FRAME BODY



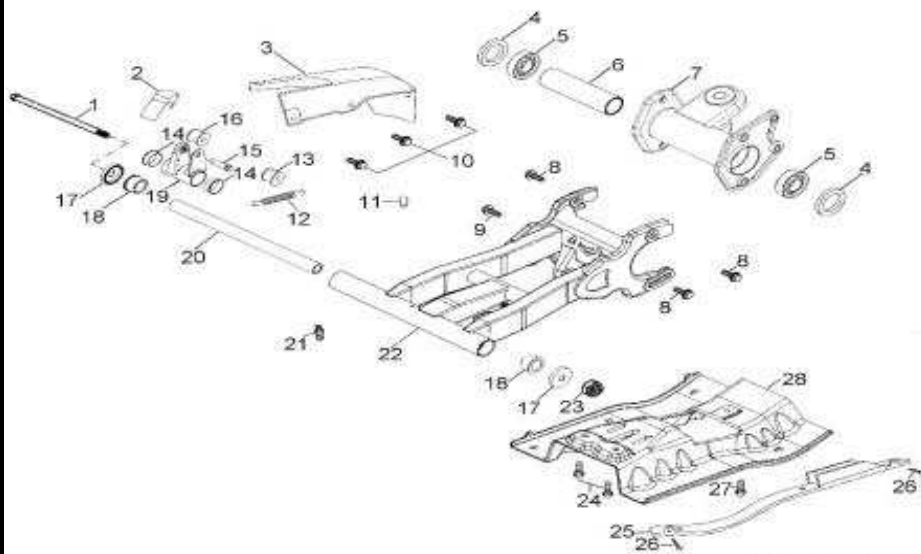
ITEM	DESCRIPTION	P/N	Q'TY
1	Grip, Transmission Lever	21326202-000	1
2	Knob, Transmission Lever	21328201-000	1
3	Cover	21327201-000	1
4	Bolt	96000-060128-10K	2
5	Lever, Shift	21319210-000	1
6	Rubber	81113153-000	1
7	Pin, Cotter	94201-25190	1
8	Washer	94101-0816015-00C	2
9	Bolt	92001-080168-00K	12
10	Bracket, Footwell, RH	51105204-000	1
11	Grommet, Seat	7722539A-000	2
12	Bolt	92001-080168-00K	4
13	Rubber	50816153-000	3
14	Bracket, Rear Fender , RH	50141201-000	1
15	Cap, Rubber	19611202-000	4
16	Sissy Bar	50105210-000	1
17	Bracket, Rear Fender , LH	50142201-000	1
18	Bracket, Kick Start	50341201-000	1
19	Bolt	96000-060168-0KL	2
20	Nut, Lock	90350-12000-0UC	1
21	Lever, Kick Start	2830039A-000	1
22	Bolt	96000-060358-00K	1
23	Cap, Kick Start	83574201-000	1
24	Strap	89569131-000	8
25	Bracket, Footwell, LH	51120204-000	1
26	Bolt	96000-100758-0KL	1
27	Bolt	90108-080408-00K	1
28	Bolt	96000-100608-0KL	1
29	Roller, Chain Tensioner	40548201-000	1
30	Bolt	96000-101478-00C	1
31	Bolt	92005-060168-00K	5
32	Shield, Chassis	50106201-000	1
33	Asm.,Frame	50100220-000 Bef. -4508	1
		50100256-000	
34	Tablet, VIN	50130131-000	1
35	Nut	94050-08000-00C	2
36	Linkage, Shift	21329201-000 Bef. -4508	1
		21329203-000	
37	Nut, Lock	90350-10000-00C	1
38	Washer	94101-1022020-00C	1

D-14: FRAME BODY

ITEM	DESCRIPTION	P/N	Q'TY
39	Gate, Shift	21323203-000	1
40	Bolt	96000-080168-00K	2
41	Lever, Shift	21331201-000	1
42	Pin, Lever, Shift	21321156-000	1
43	Spring, Shift	21320201-000	1
44	Washer	94101-0822020-00C	1

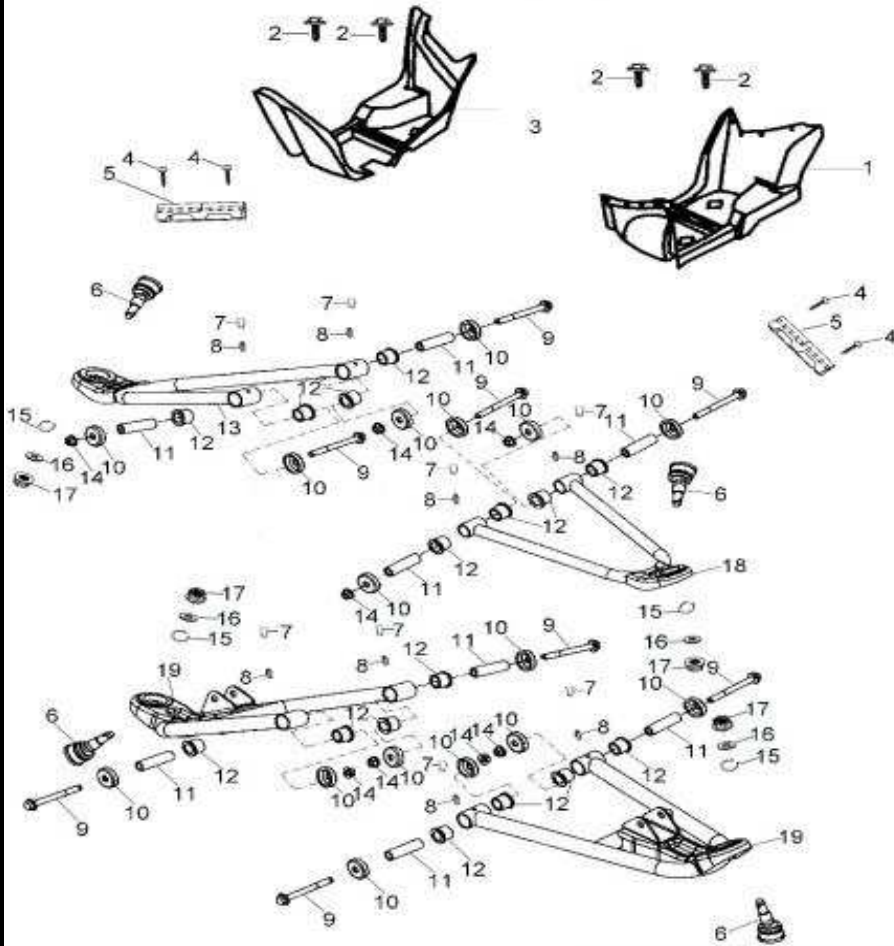


D-15: SWING ARM



ITEM	DESCRIPTION	P/N	Q'TY
1	Bolt	96000-143508-00C	1
2	Spring, supporter, Chain	40549201-000	1
3	Protector, Chain	40521206-000	1
4	Seal, Oil	96500-426208A7271	2
5	Bearing, Ball	96100-60070-ZZ000	2
6	Sleeve, Rear Axle	42810206-000	1
7	Bracket, Rear Axle	42804201-000	1
8	Bolt	96000-120288-0CL Bef. -4508 96008-120288-0CL	3
9	Bolt	96000-120328-0CL Bef. -4508 96008-120328-0CL	1
10	Bolt	92007-060128-00K Bef. -4508 92005-060128-00K	3
11	Cap, Valve, Grease	51301131-000	1
12	Spring, supporter, Chain	50508201-000	1
13	Chain roller	40548201-000	1
14	Bushing, Rubber	96400-353815	2
15	Bolt	90108-120398-00K	1
16	Chain roller	40545201-000	1
17	Cap, Dustproof	52424202-000	2
18	Keeper, Grease	52524201-000	2
19	Supporter, Chain	40542207-000 Bef. -4508 40542207-000	1
20	Shaft, Swing	52420201-000	1
21	Valve, Grease	51300131-000	1
22	Arm, Swing	52410205-000 Bef. -4508 52410205-000	1
23	Nut, Lock	90350-14000-0UC	1
24	Bolt	92005-060128-00K	2
25	Guider, Chain	40525201-000	1
26	Screw	93903-1050128-00K	2
27	Bolt	92005-060168-00K	1
28	Shield, Swing	40520202-000	1

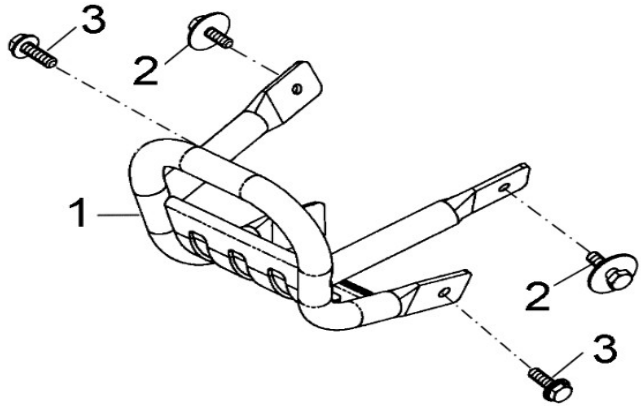
D-16: SWING ARM, FOOTREST



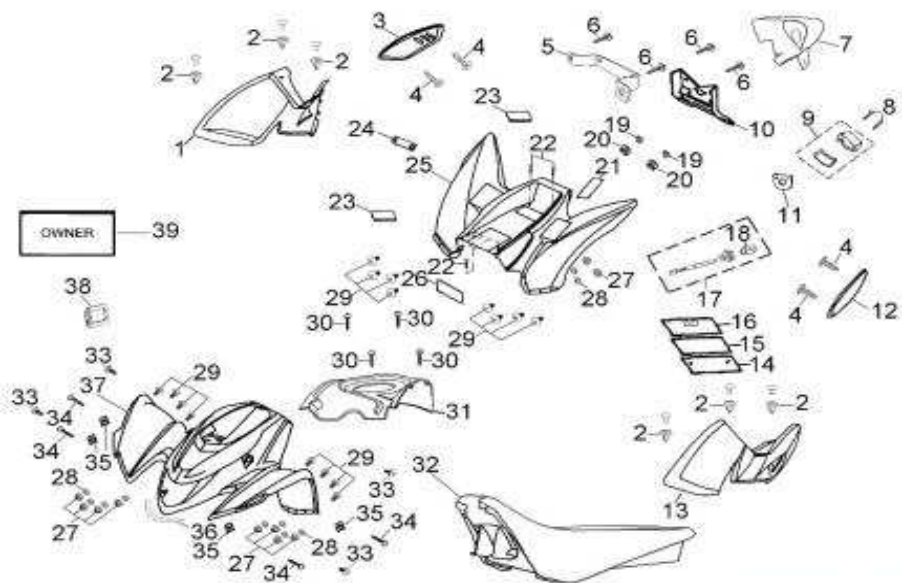
ITEM	DESCRIPTION	P/N	Q'TY
1	Footwell, LH	64310203-000	1
2	Bolt, Hex	96007-060168-00K	4
3	Footwell, RH	64300203-000	1
4	Screw	93903-1050128-00K	4
5	Retainer, Brake Line, Front	53005201-000	2
6	Ball Joint	52451201-000 Bef -5299 52451202-000	4
7	Cap, Rubber	51301131-000	8
8	Valve, Grease	51300131-000	8
9	Bolt	96000-100658-0KL	8
10	Cap, Rubber	52426156-000	16
11	Spacer	53140201-000	8
12	Bushing	53135202-000	16
13	A-Arm, Upper, RH	53032201-000	1
14	Nut	94050-10000-00C	8
15	Clip, Cir	94511-3113S	4
16	Washer	94101-1225020-00C	4
17	Nut, Lock	90351-12000-00C	4
18	A-Arm, Upper, LH	53132201-000	1
19	A-Arm, Lower	53131201-000	2

D-17: BUMPER

ITEM	DESCRIPTION	P/N	Q'TY
1	Bumper, Front	50450207-000	1
2	Bolt	92005-060168-00K <i>Bef. -1892</i>	2
		92005-060148-00K	
3	Bolt	92001-080128-00K	2



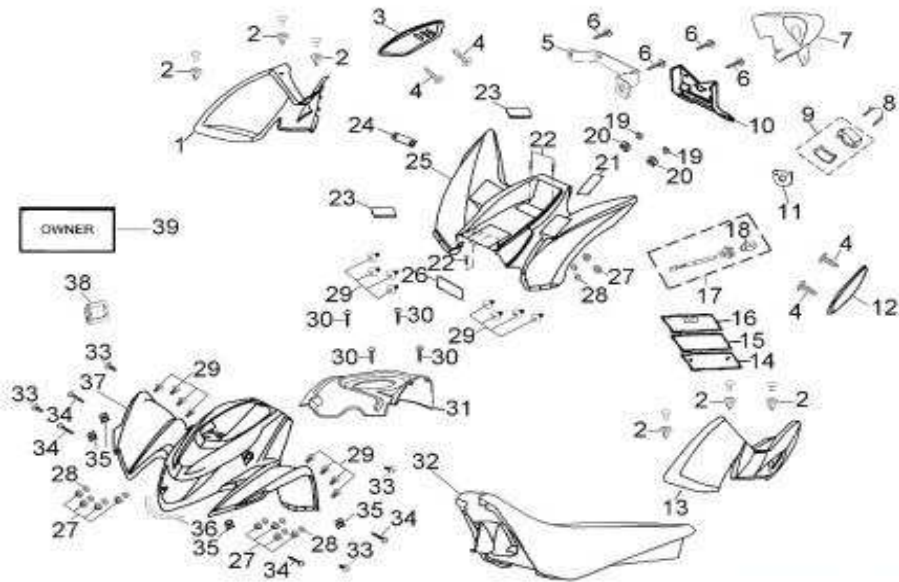
D-18: CAB, SEAT



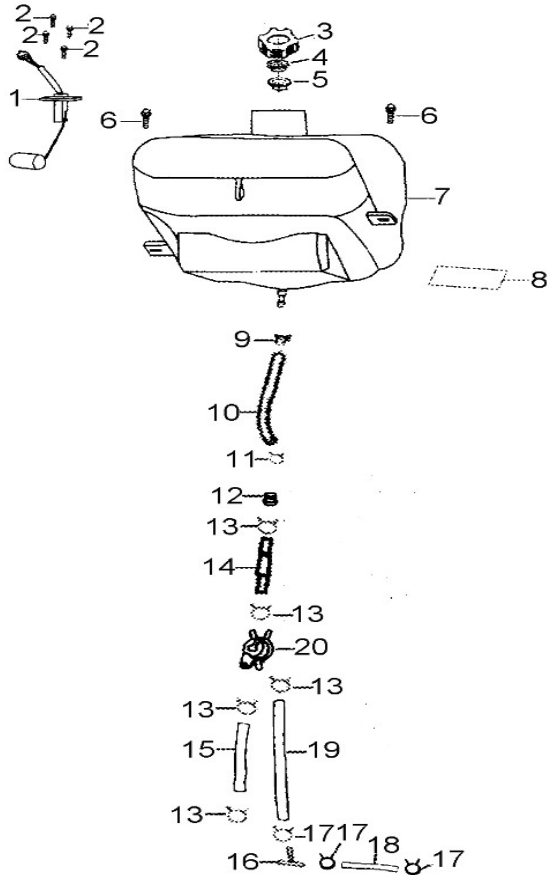
ITEM	DESCRIPTION	P/N	Q'TY
1	Panel, Side, RH	83500206-000	1
2	Rivet	61120153-000	6
3	Veneer, LH	18319201-000	1
4	Screw	93903-1050128-00K	4
5	Bracket, License Plate	33717202-000	1
6	Bolt	96007-060168-00K	4
7	Veneer, Exhaust Pipe, Rear	18315204-000	1
8	Bolt	93500-040408-00K	2
9	Cover, License Light	33710131-000	1
10	License Plate	33708202-000 <i>Bef. -4508</i>	1
		33708203-000	
11	Rubber	33707131-000	1
12	Veneer, RH	18316201-000	1
13	Panel, Side, LH	83600203-000	1
14	Decal, Isulation	80140223-000	1
15	Decal, Isulation	80140221-000	1
16	Decal, Isulation	80140222-000	1
17	Asm., Power Supporter	33713131-000 <i>Bef. -4508</i>	1
		33713201-000	
18	Bulb, License Light	33709131-000	1
19	Washer	94101-0412010-00K	2
20	Nut, Lock	90350-04000-00K	2
21	Decal, Isulation	87011203-000	1
22	Bolt	96007-060168-00K	4
23	Rubber, Battery	31510202-000	2
24	Strap, Battery	89750202-000	1
25	Cab, Rear	61000208-507 (RED)	1
		61000208-B38 (BLUE)	
26	Decal, Isulation	87011206-000	1
27	Nut, Lock	90350-05000-00K	16
28	Washer	94101-0514010-00K	16
29	Bolt	93100-050168-00K	16
30	Screw	93903-1040128-00K	4
31	Cover, Fuel Tank	17555201-000	1
32	Asm., Seat	77200217-507	1
		77200217-B38	
33	Bolt	92003-060168-00K	4
34	Screw	93903-2040128-00K	4
35	U-Nut	90345-04000-02T	4
36	Decal, Headlight	87702163-000	1

D-18: CAB, SEAT

ITEM	DESCRIPTION	P/N	Q'TY
37	Cab, Front	61100205-507 (RED)	1
		61100205-B38 (BLUE)	
38	Boot, Shift, Rubber	21322202-000	1
39	Manual, Owner's	88510210-000	1



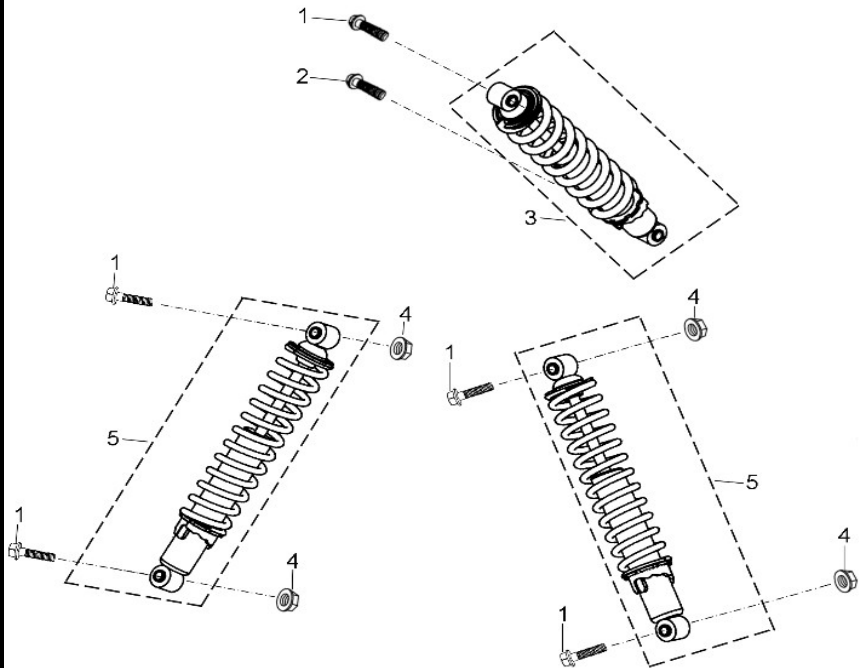
D-19: FUEL TANK



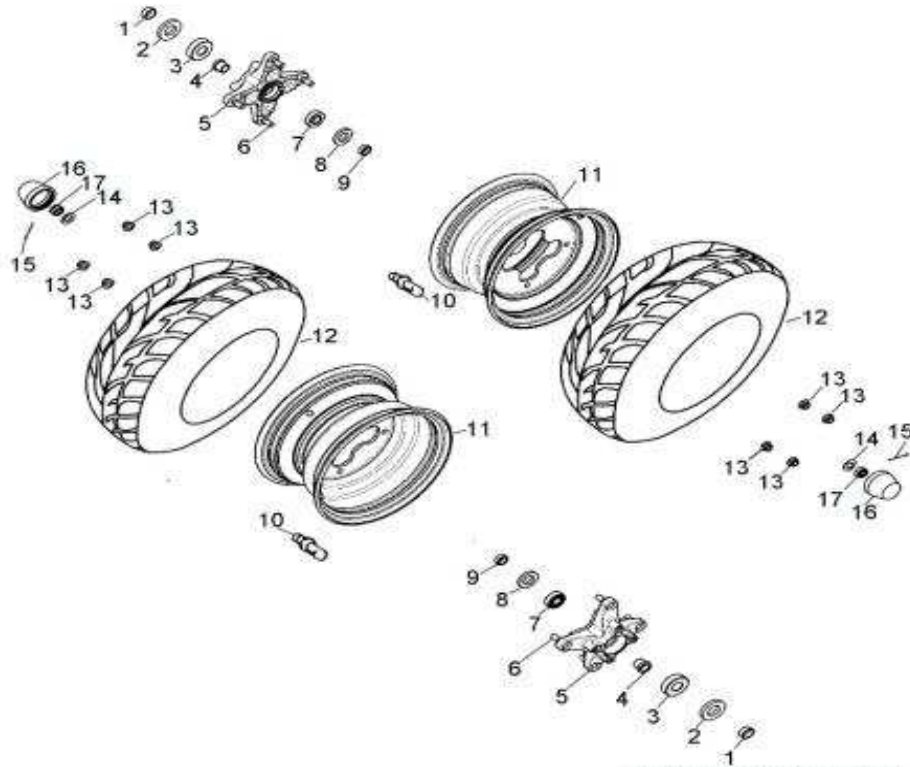
ITEM	DESCRIPTION	P/N	Q'TY
1	Sensor, Fuel	37800202-000	1
2	Bolt	93100-050168-00K	4
3	Cap, Fuel	17623203-000	1
4	Vent, Fuel Cap	1762139A-000	1
5	Diaphragm, Fuel Cap	1762539A-000	1
6	Bolt	92005-060168-00K	2
7	Tank, Fuel	17500206-000	1
8	Foil, Tank	87011201-000	1
9	Clamp	94510-12000	1
10	Hose, Fuel	94401-05009-205	1
11	Clamp	94510-08000	1
12	Filter, Fuel	17952111-000	1
13	Clamp	94510-08000	5
14	Hose, Fuel	94401-05009-100	1
15	Hose, Fuel	94401-05009-220	1
16	T-Joint	16126201-000	1
17	Clip	94510-06500	3
18	Hose	94407-04007-070	1
19	Hose	94407-04008-280	1
20	Valve, Fuel	17950111-000	1

D-20: SUSPENSIONS

ITEM	DESCRIPTION	P/N	Q'TY
1	Bolt	96000-100508-0KL	5
2	Bolt	96000-100608-0KL	1
3	Suspension, Rear	52400215-000 <i>Bef. -4508</i> 52400217-000	1
4	Nut	94050-10000-00C	4
5	Suspension, Front	51100206-000 <i>Bef. -4508</i> 51100212-000	2



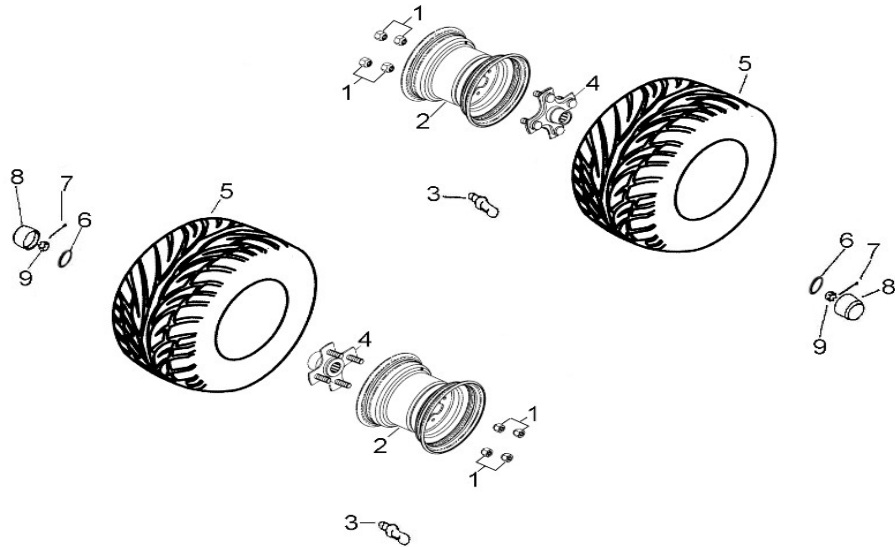
D-21: FRONT WHEEL



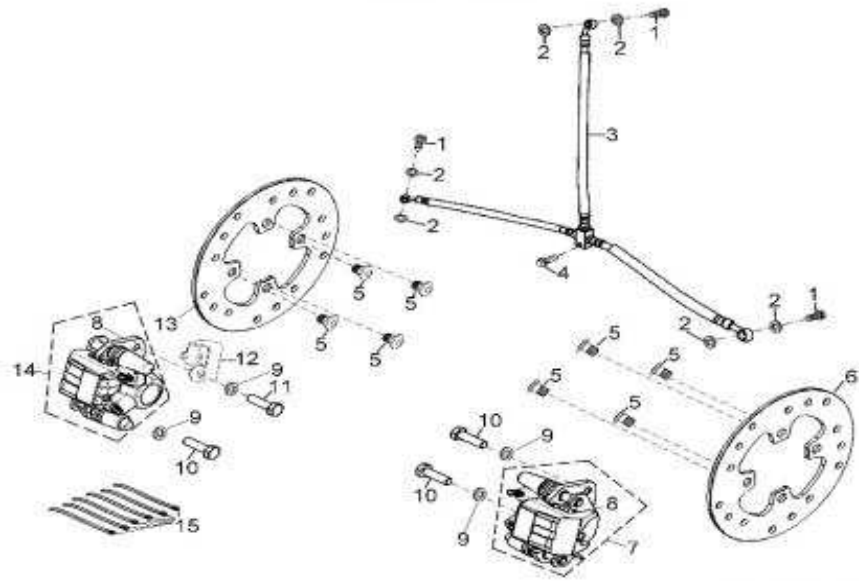
ITEM	DESCRIPTION	P/N	Q'TY
1	Spacer	4431139A-000	2
2	Seal, Oil	96500-25470700000	2
3	Bearing, Ball	96100-62040-Z0000	2
4	Spacer	4431539A-000	2
5	Hub, Wheel, Front	4201039A-000	2
6	Stud	42712201-000	8
7	Bearing, Ball	96100-62020-Z0000	2
8	Seal, Oil	96500-223806A7271	2
9	Spacer	4431239A-000	2
10	Valve, Rim	42616131-000	2
11	Rim, Front	42701204-000 <i>Bef. -5299</i>	2
		42701204-486	
12	Tire	42711213-000	2
13	Nut	90355-10000-0UB	8
14	Washer	94121-1426016-000	2
15	Pin, Cotter	94201-32320	2
16	Cap, Rubber	4273039A-000	2
17	Nut, Insert Lock	90353-14000-00C <i>Bef. -5290</i>	2
		90353-14015-00C	

D-22: REAR WHEEL

ITEM	DESCRIPTION	P/N	Q'TY
1	Nut	90355-10000-0UB	8
2	Rim	4280139A-000	2
3	Valve, Rim	42616131-000	2
4	Hub, Wheel, Rear	4202039A-000	2
5	Tire	42811214-000	2
6	Washer	94121-1835200-000	2
7	Pin, Cotter	94201-32320	2
8	Cap, Rubber	4273039A-000	2
9	Nut, Lock	90352-18000-00C	2

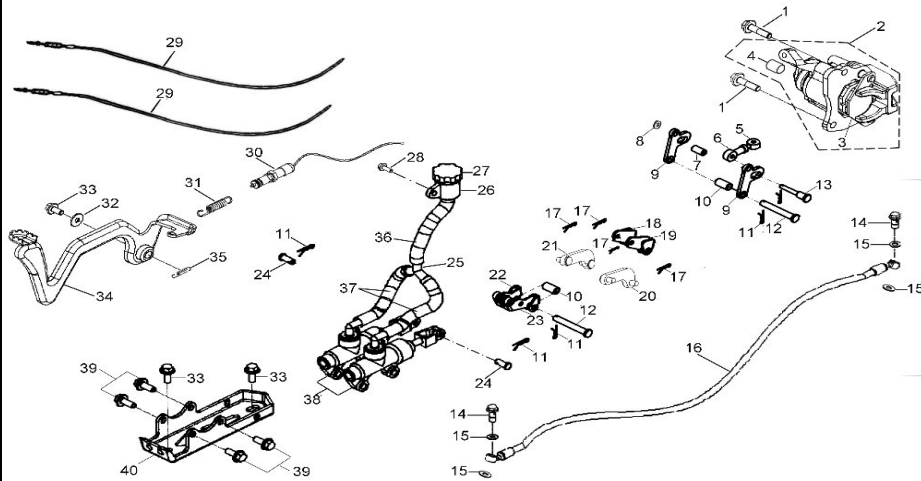


D-23: FRONT BRAKE



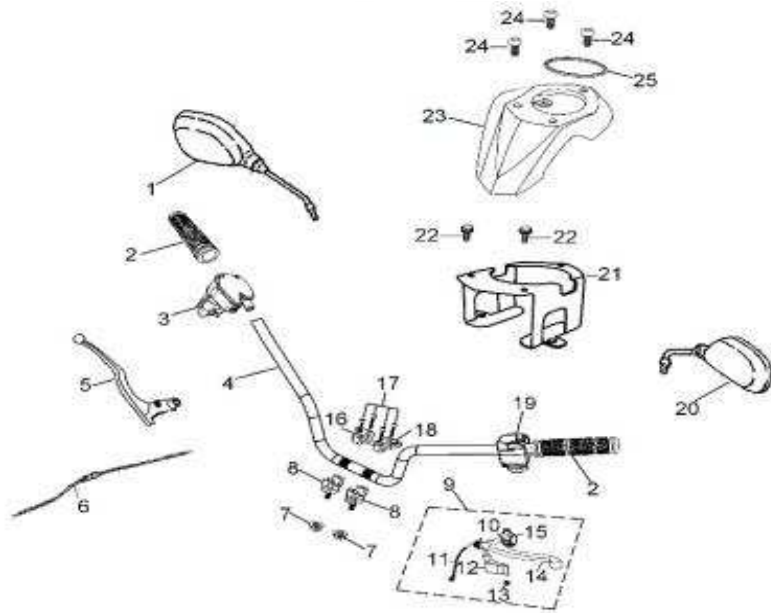
ITEM	DESCRIPTION	P/N	Q'TY
1	Bolt, Banjo	45456111-000	3
2	Washer	94101-1015012-U0B	6
3	Line , Front Brake, J/B Crimped	4544139A-000 <i>Bef. -4508</i> 45440202-000	1
4	Bolt	96000-060288-10C	1
5	Bolt	45016131-00K	8
6	Disc, Brake, LH	4501039A-000 <i>Bef. -5290</i> 4502239A-000	1
7	Asm., Caliper, LH	4500139A-000 <i>Bef. -1663</i> 4500139A-000	1
8	Pads, Caliper, Front	43121201-000	2
9	Washer	94101-0816020-00C	4
10	Screw	96002-080308-00K	3
11	Screw	96002-080348-00K	1
12	Bracket, Sensor	37213201-000	1
13	Disc, Brake, RH	4501039A-000 <i>Bef. -5290</i> 4502339A-000	1
14	Asm., Caliper, RH	4500239A-000 <i>Bef. -5290</i> 4500239A-000	1
15	Strap	89569131-000	6

D-24: REAR BRAKE



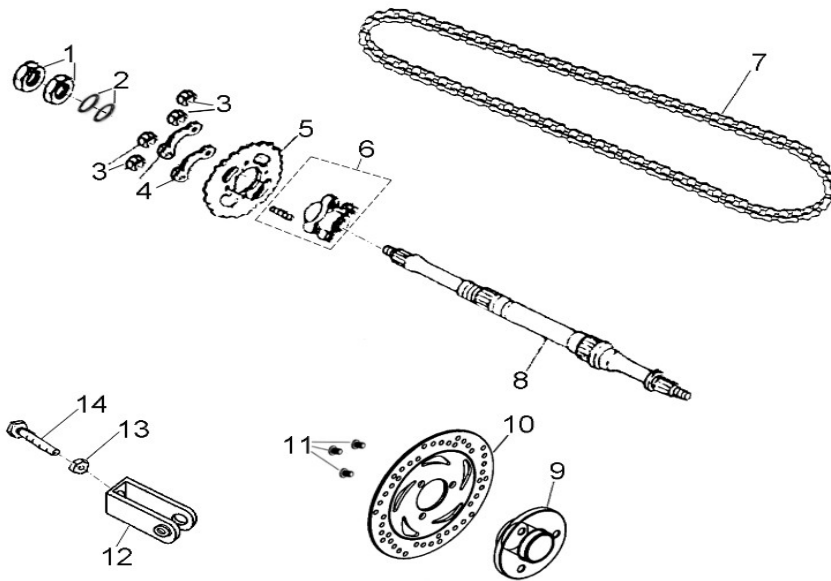
ITEM	DESCRIPTION	P/N	Q'TY
1	Bolt	96000-100228-00C	2
2	Asm., Caliper, Rear	45000203-000	1
3	Pads, Caliper, Rear	43120210-000	1
4	Cap, Caliper	52424203-000	1
5	Rod End, Male	52438202-000	1
6	Rod End, Female	52439202-000	1
7	Spacer	42810208-000	1
8	Washer	94101-0623010-00C	1
9	Swing Arm, 4TH	43473201-000	2
10	Spacer	42810207-000	2
11	Pin, Cottor	94203-12200	5
12	Shaft, Pin	96300-14064	2
13	Shaft, Pin	96300-14050	1
14	Bolt, Banjo	45456111-000	2
15	Washer	94101-1015012-U0B	4
16	Hose, Brake	45449208-000	1
17	Pin	43480201-000	4
18	Swing Arm, 3RD, RH	43479201-000	1
19	Swing Arm, 3RD, LH	43478201-000	1
20	Swing Arm, 2ND, RH	43475202-000	1
21	Swing Arm, 2ND, LH	43474202-000	1
22	Swing Arm, 1ST, RH	43477201-000	1
23	Swing Arm, 1ST, LH	43476201-000	1
24	Pin	94302-07018	2
25	J/B Crimped, Front Brake	45441201-000	1
26	Oil Tank, Brake	17950201-000	1
27	Cap, Oil Tank	43016201-000	1
28	Bolt	96000-060128-0KL	1
29	Cable, Front Brake	45450205-000	2
30	Switch, Brake	34916201-000	1
31	Spring, Foodpad	43422201-000	1
32	Washer	94101-0822020-00C	1
33	Bolt	96000-080168-0KL	3
34	Lever, Brake, Foot	43456206-000	1
35	Spring	40541202-000	1
36	Hose, Front Brake, Upper	45448207-000	1
37	Hose, Front Brake, Lower	45449207-000	2
38	Asm., Master Cylinder	43500182-000	2
39	Bolt	92001-080208-0KL	4
40	Bracket, Master Cylinder	43417202-000	1

D-25: HANDLEBAR



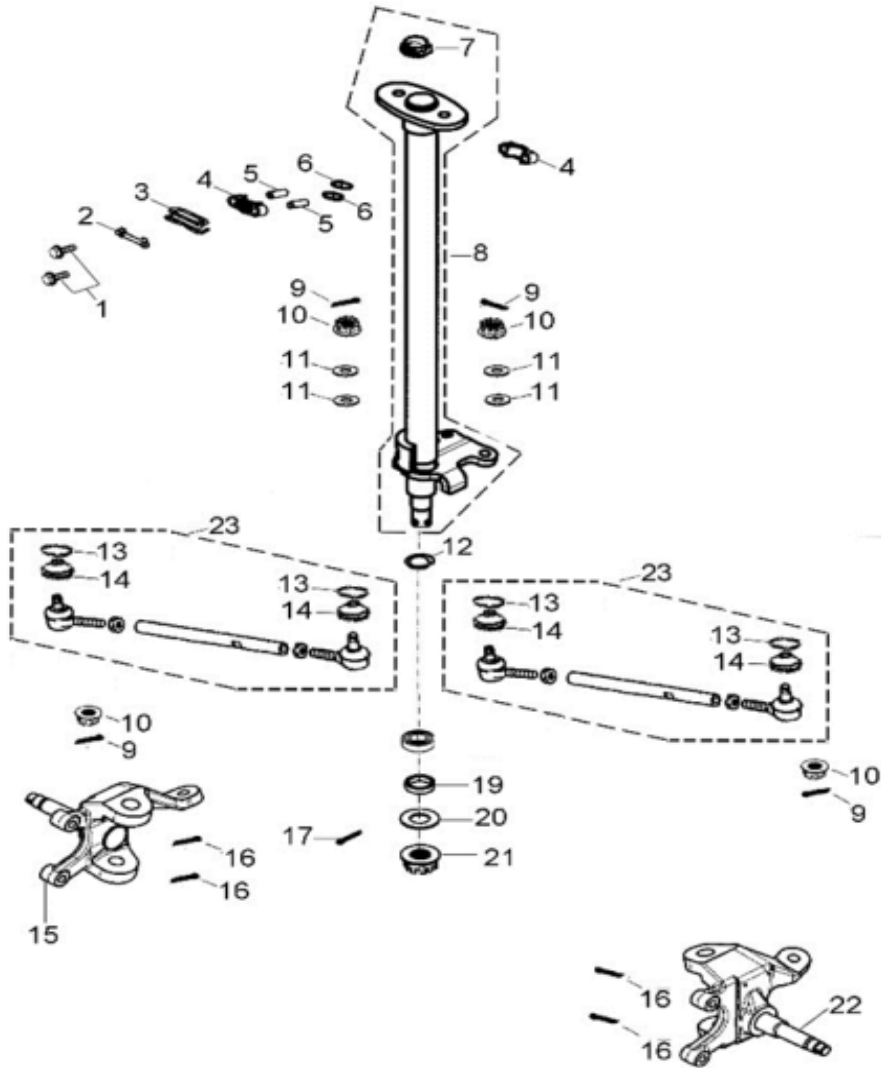
ITEM	DESCRIPTION	P/N	Q'TY
1	MIRROR, RH	88110204-000	1
2	Grip, Handlebar	53167201-000	2
3	Control, Throttle	53900201-000	1
4	Handlebar	53100204-000 <i>Bef. -5299</i>	1
		53100204-000	
5	Asm., Lever, RH	53172203-000	1
6	Cable, Throttle	5391039A-000 <i>Bef. -4508</i>	1
		53910208-000	
7	Nut, Lock	90350-10000-00C	2
8	Clamp, Handle Bar, Lower	53200131-000	2
9	Asm., Lever LH	53171208-000	1
10	Bolt, Brake Lever, LH	90116-090238-00K	1
11	Sensor, Brake	53173131-000	1
12	Lock, Park Brake	53179131-000	1
13	Nut, Lock	90350-06000-00K	1
14	Lever, Brake, LH	53178131-000	1
15	Perch, lever, LH	53170201-000	1
16	Clamp, Handlebar, Upper (B)	53220131-000	1
17	Bolt	91000-060258-00K	4
18	Clamp, Handlebar, Upper (A)	53210131-000	1
19	Asm., Switch, LH	35151220-000 <i>Bef. -4508</i>	1
		35151225-000	
20	Mirror, LH	88120201-001	1
21	Bracket, Pod	53310210-000	1
22	Bolt	96000-060128-10K	2
23	Pod, Handlebar	64211210-000	1
24	Bolt	93100-050128-00K	3
25	Grommet	64320201-000	1

D-26: REAR WHEEL AXLE



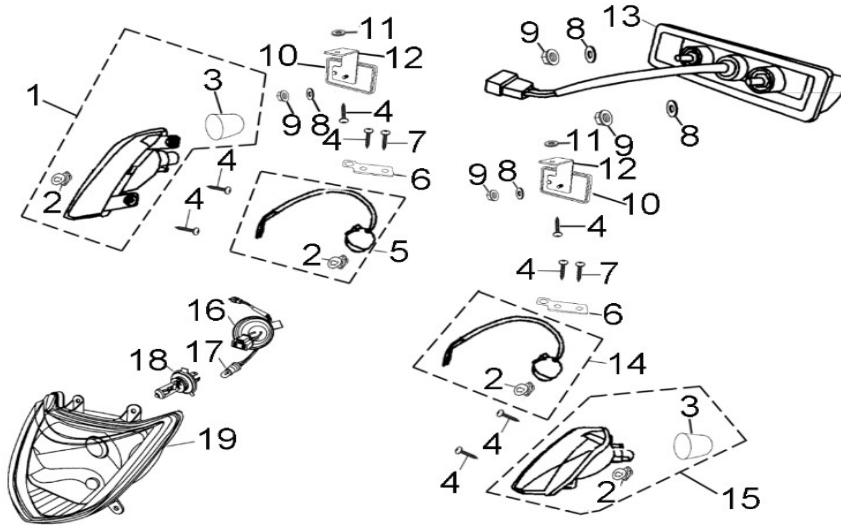
ITEM	DESCRIPTION	P/N	Q'TY
1	Nut	94001-33000-00K	2
2	Washer	94121-3345012-000	2
3	Nut	94002-10000-00C	4
4	Washer, Sprocket	41202156-000	2
5	Sprocket, Drive, Final	41201205-000	1
6	Hub, Sprocket	41210156-000	1
7	Asm., Drive Chain	40530209-000	1
8	Axle, Rear	42000204-000	1
9	Hub, Disc	43490203-000 <i>Bef. -4508</i>	1
		43490182-000	
10	Disc, Brake	43511201-000	1
11	Bolt	45016131-00K	3
12	Adjuster, Chain	40543156-000	1
13	Nut	94050-08000-00C	1
14	Bolt	92000-080608-00B	1

D-27: STEERING



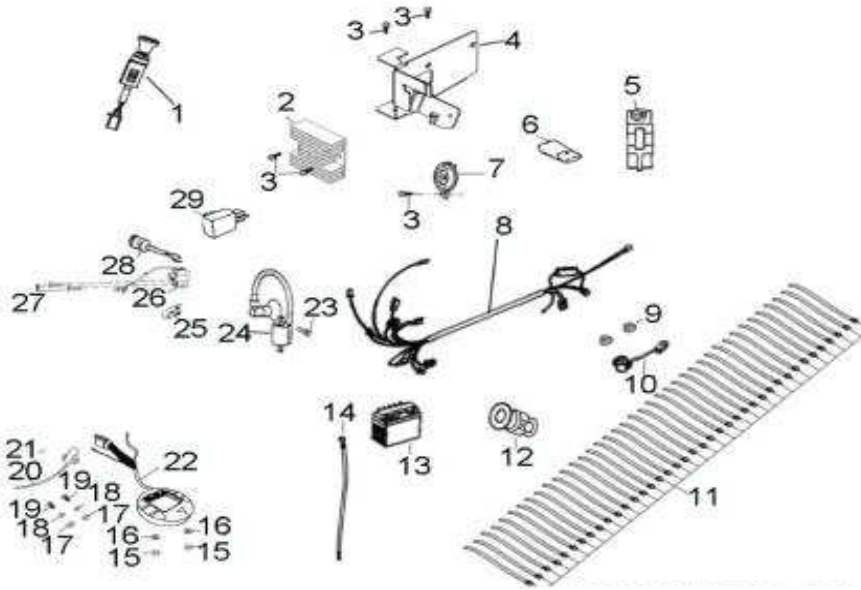
ITEM	DESCRIPTION	P/N	Q'TY
1	Bolt	92000-080608-00B	2
2	Washer, Lock	51319156-000	1
3	Bracket, Wire Collector	51318156-000	1
4	Clamp, steering	53500156-000	2
5	Spacer	51317156-000	2
6	Sleeve, Steering Shaft	51220156-000	2
7	Cap, Rubber	19611202-000	1
8	Post, Steering	51107207-000 <i>Bef. -1663/-4508</i> 51107207-000	1
9	Pin, Cotter	94201-25190	4
10	Nut	90352-10000-00C	4
11	Washer	94101-1022020-00C	4
12	Retainer	94512-4200R	1
13	Spring	94514-09255	4
14	Boot	16129201-000	4
15	Asm., Steering Knuckle, RH	5133039A-000	1
16	Pin, Cotter	94201-23250	4
17	Pin, Cotter	94201-32320	1
18	Bearing	96100-60040-U0000	1
19	Spacer	44311201-000	1
20	Washer	94121-1835200-000	1
21	Nut	90352-18000-00C	1
22	Asm., Steering Knuckle, LH	5132539A-000	1
23	Asm., Tie Road	53410210-000	2

D-28: LIGHTS



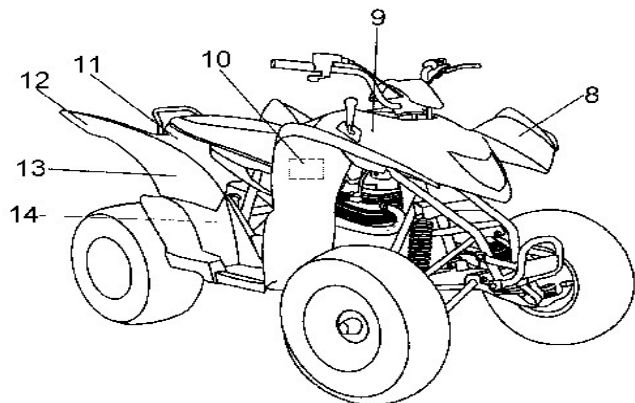
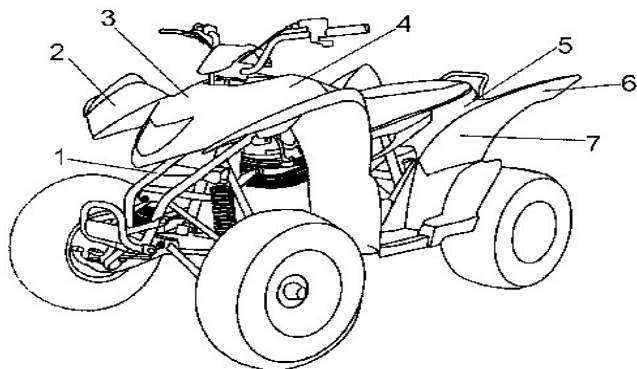
ITEM	DESCRIPTION	P/N	Q'TY
1	Asm., Signal, Front, RH	33400208-000 <i>Bef. -4508</i>	1
		33400208-000	
2	Bulb, Signal	33905202-000	4
3	Boot	51200203-000	2
4	Screw	93903-1040128-00K	8
5	Asm., Signal, Rear, RH	33800202-000 <i>Bef. -4508</i>	1
		33800202-000	
6	Bracket, Signal, Rear	33406201-000	2
7	Bolt	93100-050128-00K	2
8	Washer	94101-0519010-00K	4
9	Nut	94050-05000-00C	4
10	Reflector	33741131-000	2
11	Washer	94101-0412010-00K	2
12	Bracket, Reflector	33408202-000	2
13	Asm., Taillight	33700202-000	1
14	Asm., Signal, Rear, LH	33850202-000 <i>Bef. -4508</i>	1
		33850202-000	
15	Asm., Signal, Front, LH	33450208-000 <i>Bef. -4508</i>	1
		33450208-000	
16	Socket, Headlight	33111204-000	1
17	Lower Beam, Headlight	34909180-000	1
18	Bulb, Headlight	34901205-000	1
19	Housing, Headlight	33110205-000	1

D-29: ELECTRICAL PARTS



ITEM	DESCRIPTION	P/N	Q'TY
1	Power Suppter	38130179-000	1
2	Rectifier/ Regulator	31600208-000 Bef. -4508	1
		31600209-000	
3	Bolt	96000-060128-10K	5
4	Bracket, Electrical	32104205-000 Bef. -4508	1
		32104209-000	
5	Asm., CDI Unit	30410209-000	1
6	Pouch, Tool	8912039A-000 Bef. -5299	1
		89120202-000	
7	Horn	38110119-000 Bef. -4508	1
		38110202-000	
8	Harness, Main Wire	32100218-000 Bef. -4508	1
		32100231-000	
9	Nut	94050-06000-00K	2
10	Asm., Starter Relay	38501119-000	1
11	Strap	89569131-000	39
12	Relay, Signal	38302202-000	1
13	Battery	3150039A-000	1
14	Asm., Battery Cable	32001201-000	1
15	Nut	94001-04000-00K	2
16	Washer	94101-0613010-00K	2
17	Nut	94001-06000-00C	2
18	Washer	94111-0412010-00K	2
19	Bolt	93100-040128-00K	2
20	Sensor, Speedometer	37206201-000	1
21	Magnet, Speedometer	37203202-000	1
22	Asm., Speedometer	37205203-000 Bef. -2935	1
		37205203-000	
23	Bolt	96000-050208-00C	1
24	Asm., Ignition Coil	30510205-000	1
25	Clip, Main Switch	35101131-000	1
26	Lock, Steering	35106203-000 Bef. -4508	1
		35106206-000	
27	Bolt	93100-050128-00K	2
28	Switch, Main	35102211-000	1
29	Relay, Parking	38701201-000	1

D-30: DECALS



ITEM	DESCRIPTION	P/N	Q'TY
1	Decal, Fragile, Frame	87871204-000	1
2	Decal, Front Fender, RH	87722221-507	1
3	Decal, AEON Logo	87711111-B38	1
4	Decal, Tank, LH	87721221-507	1
5	Decal, Waring, TIRE PSI	87852159-000	1
6	Decal, Cobra220, Rear, LH	87748221-507	1
7	Decal, Rear Fender, LH	87731221-507	1
8	Decal-Front Fender, LH	87723221-507	1
9	Decal, Tank, RH	87720221-507	1
10	Decal , Waring, Reverse	87854156-000	1
11	Decal, Waring, (Y-16)	87851173-000	1
12	Decal, Crobra220, Rear, RH	87747221-507	1
13	Decal, Rear Fender, RH	87730221-507	1
14	Decal, Waring, Chain	87858156-000	1