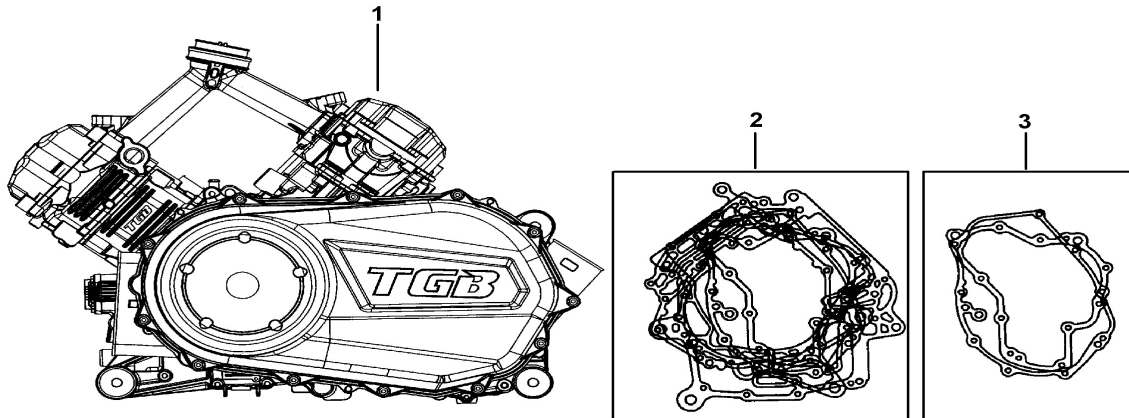


100

ENGINE ASSY.

ETT-JJ



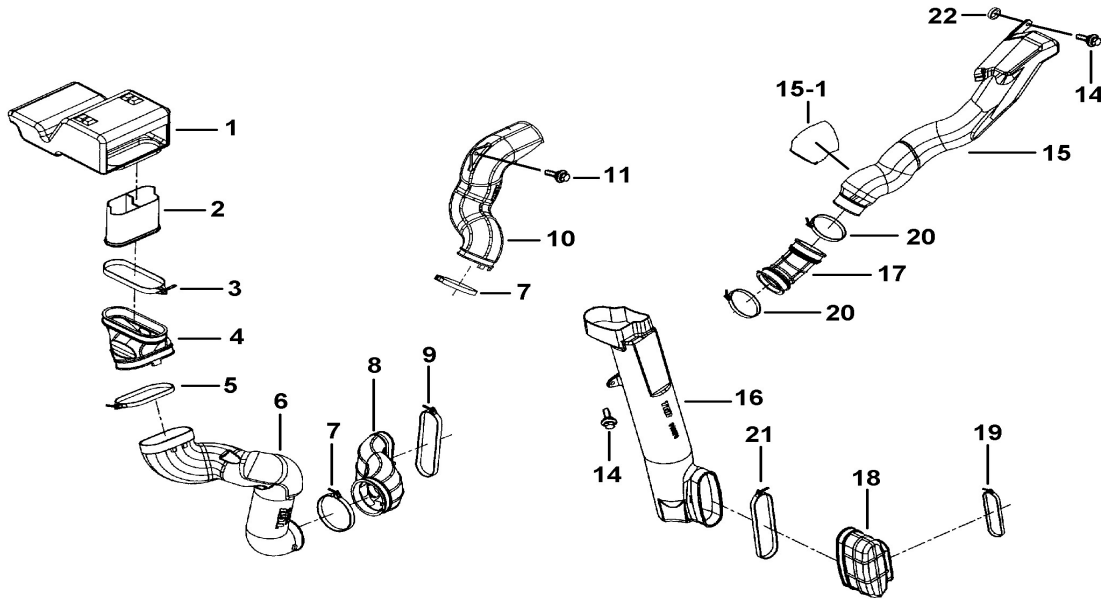
Item No.	Part No.	Description	Q'ty	Amend	Note
01	TST500180P	ENGINE ASSY.	1		
02	910646A	MAINTENANCE TOOL PACKAGE (FOR CRANKCASE)	1		
03	910647A	MAINTENANCE TOOL PACKAGE (FOR TRANSMISSION)	1		

Total : 3

101

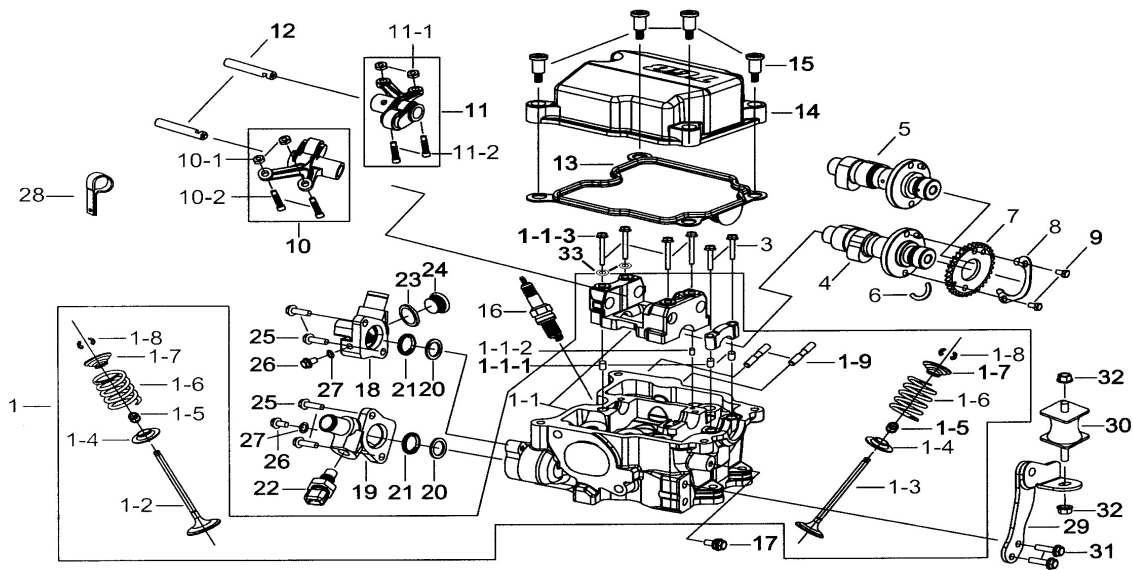
C.V.T. DUCTING COMPONENTS

ETT-JJ



Item No.	Part No.	Description	Q'ty	Amend	Note
01	910681	BOX, CVT INLET	1		
02	924689A	DUCT, CVT COOLING FRONT	1		
03	924714	CLAMP	1		
04	910668	CONNECTOR, COOLING DUCT FRONT	1		
05	924720	CLAMP	1		
06	910416	INLET DUCT	1		
07	R65604	CLAMP(60-80)	2		
08	910444	DUCT, CONNECTOR	1		
09	911529	CLAMP	1		
10	910656	OUTLET DUCT	1		
11	S25603	BOLT	1		
14	S20611	BOLT, HEX HEAD M6X20	2		
15	910672A	OUTLET(TUBE) COMP.	1		
15-1	911013	HEAT INSULATION	1		
16	910670	INLET(TUBE)	1		
17	910671	OUTLET TUBE ADAPTER	1		
18	910678	INLET TUBE ADAPTER	1		
19	911530	CLAMP	1		
20	R65501	CLAMP(50-70)	2		
21	910679	CLAMP	1		
22	W99101	WASHER 3t	1		

Total : 21



Item No.	Part No.	Description	Q'ty	Amend	Note
01	910596	HEAD ASSY., CYLINDER	2		
01-1	910266A	HEAD COMP., CYLINDER(INCLUDING PIN)	2		
01-1-1	P40803	PIN, DOWEL	6		
01-1-2	P30502	PIN, DOWEL	2		
01-1-3	S20625	BOLT, FLANGE M6X60	4		
01-2	910283	VALVE, INTAKE	4		
01-3	910284	VALVE, EXHAUST	4		
01-4	910270	TRUST WASHER	8		
01-5	924024	SEAL, VALVE STEM	8		
01-6	910286	SPRING, VALVE	8		
01-7	910269	VALVE SPRING RETAINER	8		
01-8	400093	COTTER, VALVE	16		
01-9	S95808	STUD M8X38	4		
03	S20616	BOLT, FLANGE M6X40	4		
04	910281	CAM SHAFT SET (A), FRONT	1		
05	910282	CAM SHAFT SET (B), REAR	1		
06	924032	"C" RING	2		
07	910062	TIMING GEAR 42T	2		
08	924031	FIXING PLATE	2		
09	S99605	BOLT M6X10	4		
10	910267	ROCKER ARM INLET	2		
10-1	910319	NUT, HEX	4		
10-2	910219	BOLT, ADJUSTING	4		
11	910268	ROCKER ARM EXHAUST	2		
11-1	910319	NUT, HEX	4		
11-2	910219	BOLT, ADJUSTING	4		
12	910420	SHAFT, ROCKER ARM	4		

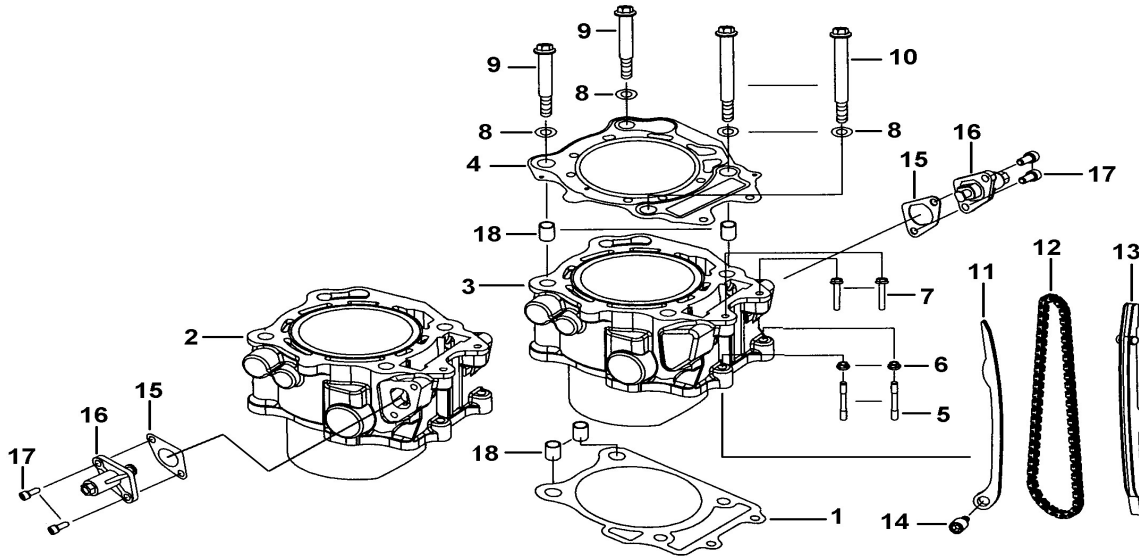
13	911597	GASKET, CYLINDER HEAD	2
14	910289	COVER, HEAD CYLINDER	2
15	924019	BOLT M7X31	8
16	910528	SPARK PLUG (NGK DCPR8E)	2
17	S77601	BOLT, FLANGE	1
18	910464	THERMOSTAT COVER , FRONT	1
19	910466	THERMOSTAT COVER , REAR	1
20	910343	WASHER	2
21	910398	SEAL	2
22	926022Y	COOLANT TEMPERATURE SENSOR	1
23	W99639	WASHER 16mm	1
24	924339	SCREW	1
25	S24616	BOLT, FLANGE M6X20	4
26	S96815	BOLT, FLANGE M8X12	2
27	911373	WASHER 8.5X14.5X1.15t	2
28	924833	CLAMP " P "	1
29	910497	BRACKET	1
30	910638	CUSHIONING BUSH	1
31	S20814	BOLT, FLANGE M8X1.25X20L	2
32	N10804	NUT M8X1.25	2
33	W99643	WASHER 6X13X1.5t	4

Total : 48

103

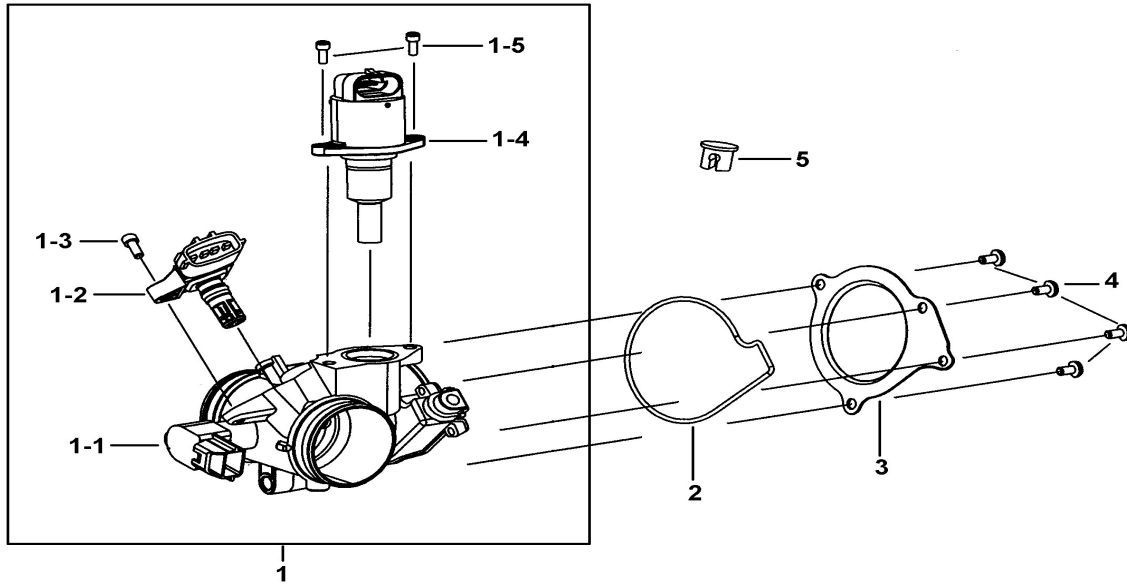
CYLINDER

ETT-JJ



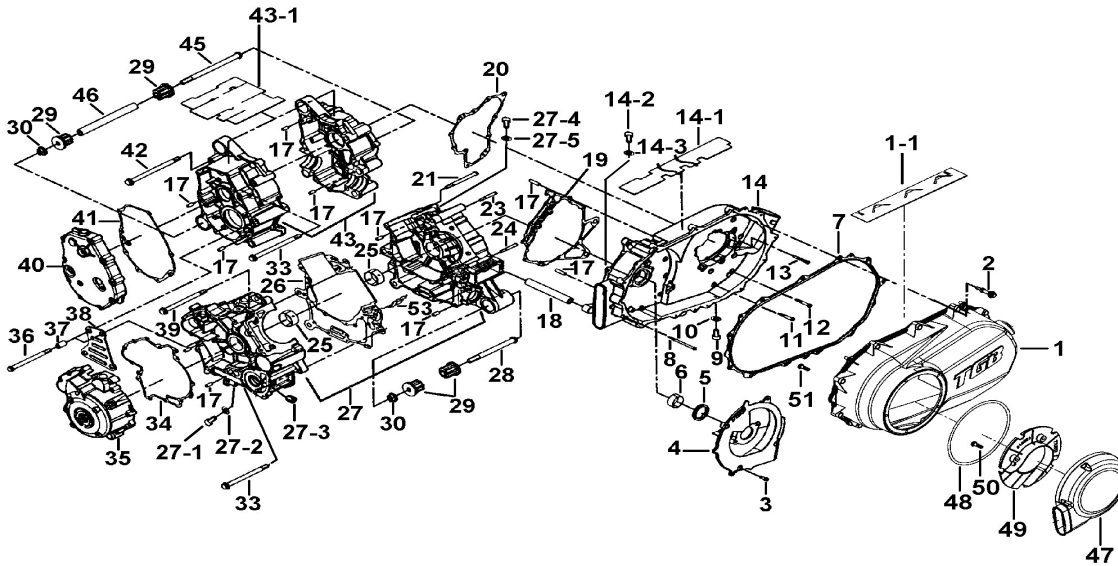
Item No.	Part No.	Description	Q'ty	Amend	Note
01	911152	GASKET, CYLINDER	2		
02	910005	CYLINDER (A), FRONT	1		
03	910003	CYLINDER (B), REAR	1		
04	910486	GASKET, CYLINDER HEAD	2		
05	S95607	STUD	4		
06	GA504NT01	NUT, FLANGE M6	4		
07	S20617	BOLT, FLANGE M6X25	4		
08	W99010	WASHER $\phi 10.5 \times \phi 22 \times 3.5t$	8		
09	S99008	BOLT 162L	4		
10	S99009	BOLT 190L	4		
11	910080	TIMING CHAIN TENSION GUIDE	2		
12	927004	TIMING CHAIN	2		
13	910079	TIMING CHAIN GUIDE	2		
14	S16601	SCREW, SOCKET	2		
15	924013	GASKET	2		
16	924014	ADJUSTER ASSY., TENSIONER	2		
17	S79602	SCREW, SOCKET HEAD M6x16	4		
18	P40301	PIN, DOWEL	8		

Total : 18



Item No.	Part No.	Description	Q'ty	Amend	Note
01	910106Y	THROTTLE BODY COMP.	1		
01-1	911221	THROTTLE BODY(TPS)	1		
01-2	927945	TEMPERTURE- MANIFOLD AIR PRESSURE(T-MAP)	1		
01-3	927946	BOLT(T-MAP)	1		
01-4	927943	IDLE SPEED CONTROL(ISC)	1		
01-5	927944	BOLT (ISC)	2		
02	926114	SEAL	1		
03	926113	QUADRANT COVER	1		
04	S70403	SCREW, SOCKET HEAD M4X8	4		
05	925697	CABLE STUD	1		

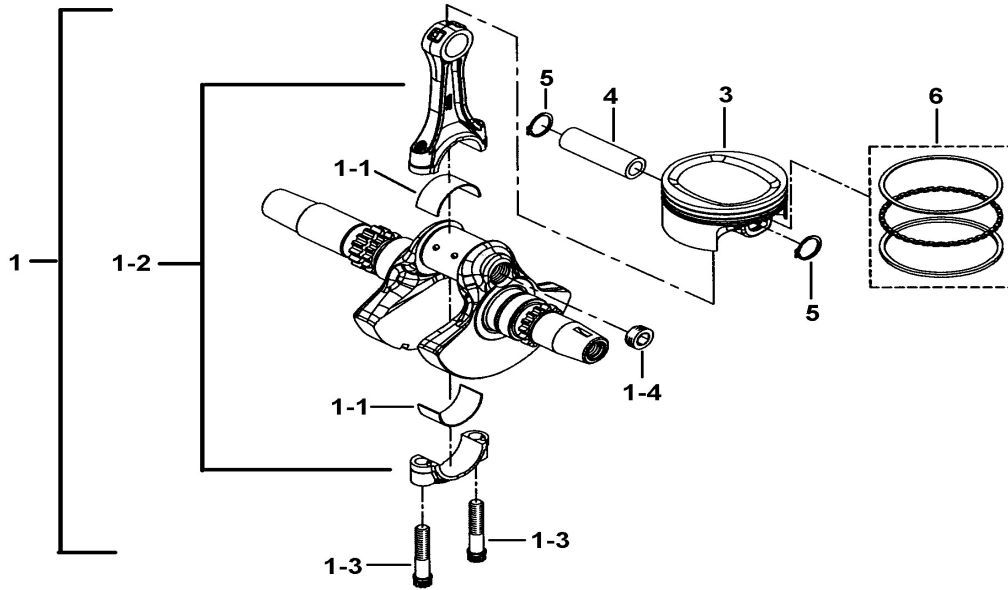
Total : 10



Item No.	Part No.	Description	Q'ty	Amend	Note
01	910666A	CVT COVER COMP.	1		
01-1	910640	HEAT INSULATION	1		
02	910278	BOLT	12		
03	S24603	BOLT, FLANGE M6x16	6		
04	911106	AIR DUCTING GUIDE	1		
05	910563	OIL SEAL	1		
06	910337	PLAIN BEARING	2		
07	910123	GASKET	1		
08	S70822	BOLT, FLANGE M8X65L	1		
09	GA504SC12	BOLT, FLANGE M8X12	1		
10	W99821	WASHER	1		
11	S70815	BOLT, FLANGE M8X35L	25		
12	S70815	BOLT, FLANGE M8X35L	1		
13	910475	POSITION SCREW	2		
14	911487A	CRANKCASE COVER, LH(INCLUDING HEAT INSULATION/ BOLT/ WASHER)	1		
14-1	910558	HEAT INSULATION	1		
14-2	S75803	BOLT	1		
14-3	W99821	WASHER	1		
17	P30802	PIN, DOWEL (NR 8*14L)	10		
18	910524	SPACER	1		
19	911486	GASKET	1		
20	911115	GASKET	1		
21	S20830	BOLT, FLANGE	4		
23	S24621	BOLT, FLANGE	13		
24	S24605	BOLT,FLANGE M6X25	2		
25	910250	PLAIN BEARING	4		
26	910674	GASKET	1		

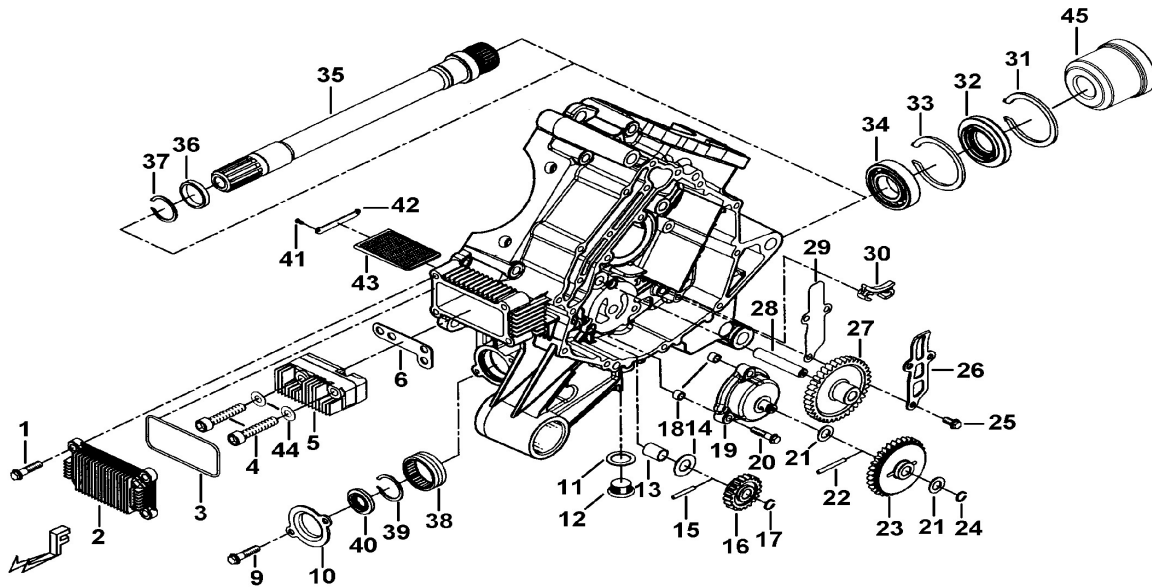
27	911108A-A	CRANKCASE COMP.	1
27-1	S72202	SCREW, SOCKET	1
27-2	W99201	WASHER 12mm	1
27-3	927109A	SCREW	1
27-4	S70702	SCREW, HEX. SCCKET M7XP1.0XL30	1
27-5	W99719	WASHER(Φ7.2XΦ12X1.0)	1
28	S20217	BOLT, FLANGE	1
29	910088A	BUSH	4
30	N25201	NUT, SELFLOCK M12X1.25	2
33	S20057	BOLT, FLANGE	2
34	910052	GASKET	1
35	910051	CRANKCASE COVER, RH	1
36	S20219	BOLT, FLANGE	4
37	P40501	PIN, DOWEL	4
38	910479	CONNECTING PLATE	1
39	S20055	BOLT, FLANGE	1
40	910265	TRANSMISSION COVER, RH	1
41	910478	GASKET	1
42	S20056	BOLT, FLANGE	1
43	911571A	TRANSMISSION HOUSING	1
		COMP.(INCLUDING HEAT INSULATION, BOLT, WASHER)	
43-1	911323	HEAT INSULATION	1
45	S20203	BOLT, HEX. HEAD M12*227	1
46	910476	SPACER	1
47	910667	CAP	1
48	910673	O RING	1
49	910591	AIR DEFLECTOR	1
50	S24603	BOLT, FLANGE M6x16	3
51	S08601	SCREW, WASHER	5
53	910669	STOPPER PLATE	1

Total : 56



Item No.	Part No.	Description	Q'ty	Amend	Note
01	911347YA	CRANK SHAFT ASSY	1		
01-1	910248	MAIN BEARING	4		
01-2	910273Y	CONNECTING ROD	2		
01-3	S20901	BOLT,FLANGE M9X45.5	4		
01-4	S70201	SCREW	1		
03	910364	PISTON	2		
04	924805	PISTON PIN	2		
05	927355	PISTON PIN CLIP	4		
06	911014	PISTON RING SET	2		

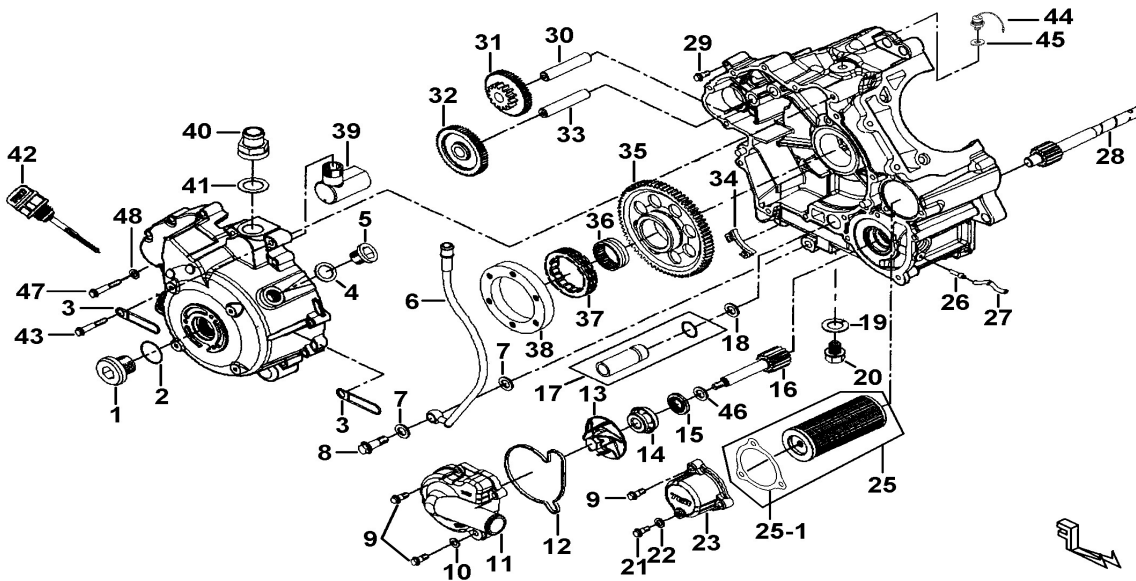
Total : 9



Item No.	Part No.	Description	Q'ty	Amend	Note
01	S24616	BOLT, FLANGE M6X20	4		
02	910316	CAP, OIL RADIATOR	1		
03	910317	" O " RING	1		
04	S70821	SCREW, SOCKET HEAD M8X45	2		
05	911089	OIL RADIATOR	1		
06	911617	OIL GASKET	1		
09	S24604	BOLT,FLANGE M6X12	2		
10	910539	SEAL COVER	1		
11	W99639	WASHER 16mm	1		
12	924339	SCREW	1		
13	910664	BUSHING	1		
14	W99218	WASHER	1		
15	P30406	PIN, DOWEL	1		
16	910023	WATER PUMP GEAR	1		
17	R00703	" C " RING	1		
18	GA504PN02	PIN, DOWEL 6.5x9x10	2		
19	910333	OIL PUMP	1		
20	911360	BOLT,FLANGE M6X25	3		
21	924147	WASHER, DRIVEN GEAR	2		
22	910634	PIN, DOWEL	1		
23	910320	OIL PUMP GEAR	1		
24	924149	" C " RING	1		
25	S24604	BOLT,FLANGE M6X12	3		
26	910394	REED VALVE STOP	1		
27	910021	IDEL GEAR	1		
28	910028	SHAFT, IDLE GEAR	1		
29	910072	VALVE PLATE	1		
30	910078	CHAIN GUIDE, LH	1		

31	R01101	" C " CLIP	1
32	910494	OIL SEAL	1
33	R01101	" C " CLIP	1
34	910066	BALL BEARING(6005)	1
35	910495	TRANSMISSION SHAFT	1
36	910157	SPACER	1
37	R00206	"C" CLIP	1
38	910118	NEEDLE BEARING	1
39	R01602	" C " CLIP	1
40	910117	OIL SEAL	1
41	S70301	SCREW, SOCKET HEAD	2
42	910551	RETAINING PLATE	1
43	910550	STRAINER	1
44	W99810	WASHER	2
45	911027	SHAFT BOOT	1

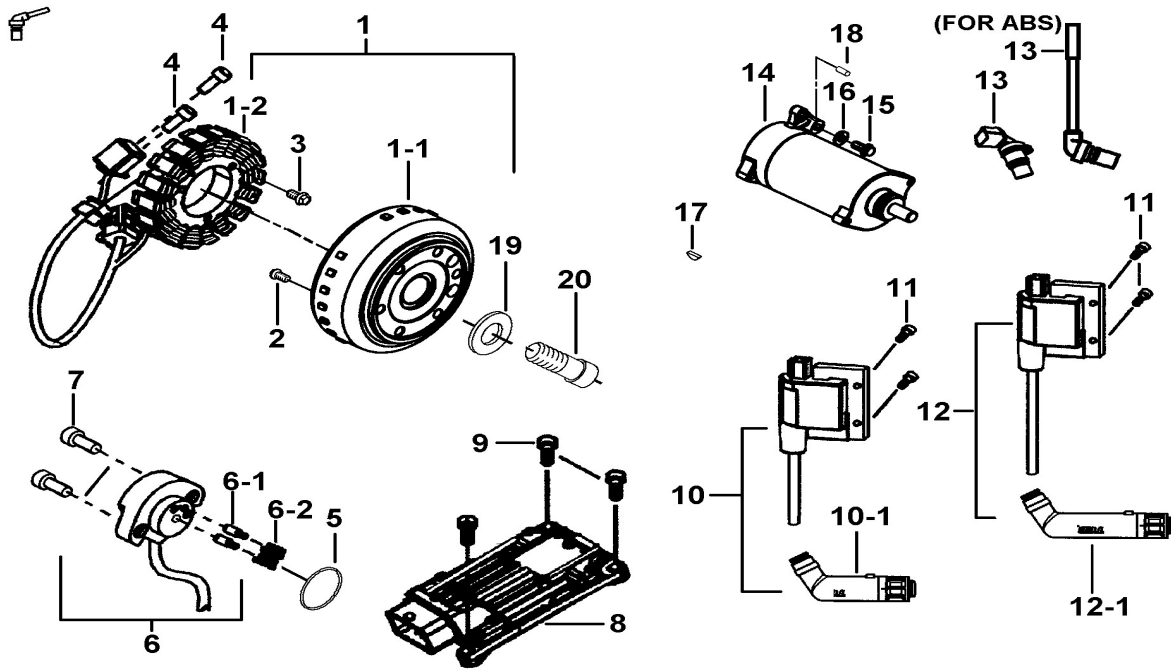
Total : 43



Item No.	Part No.	Description	Q'ty	Amend	Note
01	S70203	SCREW, SOCKET HEAD	1		
02	924272	O-RING $\phi 2.9 \times \phi 24.7$	1		
03	514410	CLAMP	2		
04	W99639	WASHER 16mm	1		
05	924339	SCREW	1		
06	910562A	CIRCULATION HOSE(INCLUDING HEAT INSULATION)	1		
07	GA559WS04	WASHER 10X15X1.2	2		
08	S21001	BANJO BOLT M10X1.25X22L	1		
09	S24605	BOLT,FLANGE M6X25	7		
10	925115	WASHER 6X12.5X1.15t	1		
11	910130	WATER PUMP COVER	1		
12	910461	GASKET	1		
13	910575	WATER IMPELLER	1		
14	910133	ROTARY SEAL	1		
15	910700V	OIL SEAL(12X24X6)	1		
16	910530B	WATER PUMP SHAFT	1		
17	911085	REGULATOR VALVE	1		
18	W02002	RUBBER WASHER	1		
19	W99201	WASHER 12mm	1		
20	910552	DRAIN BOLT	1		
21	S21605	BOLT, FLANGE M6X10	1		
22	W99621	WASHER $\phi 6.5 \times \phi 13.2 \times 1.3t$	1		
23	910314	OIL FILTER COVER	1		
25	910146A	OIL FILTER COMP.((INCLUDING GASKET)	1		
25-1	911024	GASKET	1		
26	910585	DRAIN GUIDE	1		

27	911092	HOSE ϕ 3.5	1
28	910529	SHAFT, WATER PUMP IDLE GEAR	1
29	S24603	BOLT, FLANGE M6x16	1
30	910097	PIN	1
31	910344	IDEL GEAR, STARTING	1
32	910034	IDLE GEAR, STARTING CLUTCH	1
33	910098	PIN	1
34	910078	CHAIN GUIDE, LH	1
35	910153	STARTING CLUTCH GEAR	1
36	910472	NEEDLE BEARING	1
37	910397	ONEWAY CLUTCH	1
38	925799	TRUST PLATE	1
39	910525	BLOWBY HOSE	1
40	910526	CONNECTOR, BLOWBY	1
41	910523	WASHER	1
42	911144	OIL GAUGE, LEVEL ASSY.	1
43	S24615	BOLT, FLANGE M6X35	11
44	925826	OIL PRESSURE SENSOR	1
45	W99020	WASHER	1
46	W99218	WASHER	1
47	S24610	BOLT, FLANGE M6X40	2
48	927208	SPACER	2

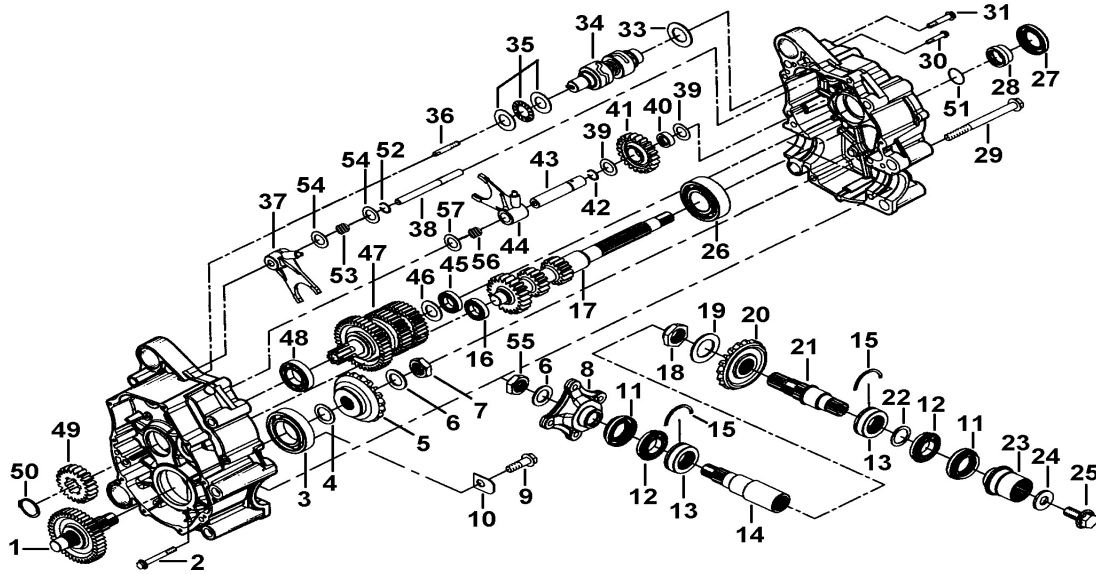
Total : 48



Item No.	Part No.	Description	Q'ty	Amend	Note
01	910900	FLYWHEEL MAGNETO ASSY.	1		
01-1	910857	ROTOR ASSY.	1		
01-2	910754	STATOR ASSY.	1		
02	S70811	BOLT M8X20	6		
03	S99616	BOLT, FLANGE M6X36	3		
04	S13502	SCREW,CROSS RECESSED,PAN HEAD M5X10	2		
05	910553	" O " RING	1		
06	926807	GEAR SENSOR ASSY.	1		
06-1	924246	CONTACT PIN, SWITCH, GEAR SELECT	1		
06-2	925858	SPRING , SWITCH, GEAR SELECT	2		
07	S79501	SCREW, SOCKET HEAD M5x16	2		
08	926023YTA	ECU	1		
09	S70607	SCREW, SOCKET HEAD M6X20	3		
10	910715M-6	IGNITION COIL, F. CYN.(INCLUDING 910715Y)	1		
10-1	910838	SPARK PLUG ATTACHMENT ASSY.	1		
11	S70402	SCREW, SOCKET HEAD M4X25	4		
12	910715M-7	IGNITION COIL, R. CYN.(INCLUDING 910715Y)	1		
12-1	910838	SPARK PLUG ATTACHMENT ASSY.	1		
13	910705	VEHICLE SPEED SENSOR	1		
13A	910995	VEHICLE SPEED SENSOR(FOR ABS)	4		FOR ABS
14	910706Y	STARTING MOTOR	1		
15	S70823	SCREW, SOCKET HEAD	1		
16	GA556WS04	SPRING WASHER 8X15X2.0	1		
17	925078	KEY	1		

18	P30603	PIN, DOWEL (PIN 6*10L)	1
19	W99618	WASHER ϕ 16X ϕ 30X3t	1
20	S70624	BOLT, FLANGE	1

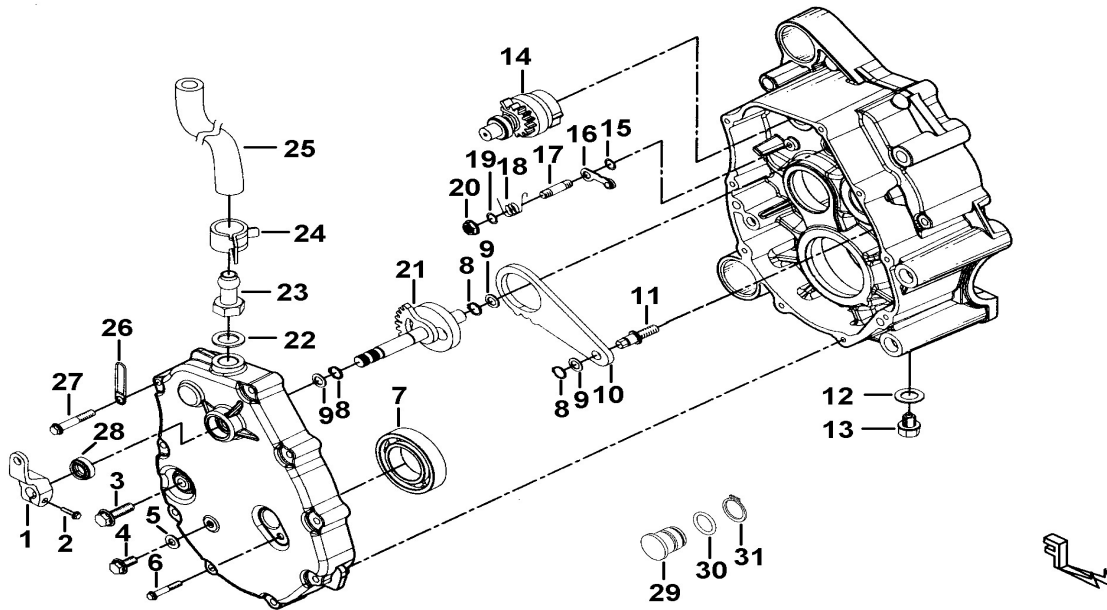
Total : 27



Item No.	Part No.	Description	Q'ty	Amend	Note
01	911409	OUTPUT SECONDARY SHAFT ASSY.(34T)	1		
02	S24621	BOLT, FLANGE	1		
03	924066	BEARING $\phi 35 \times \phi 72 \times 17$	1		
04	W99413	SHIM 24X48X1T	1		
04A	W99414	SHIM 24X48X0.5T	1		
04B	W99415	SHIM 24X48X0.3T	1		
04C	W99417	SHIM 24X48X0.05T	1		
05	910036	BEVEL GEAR, 15 TEETH	1		
06	W99304	SHIM	2		
07	N33811	NUT, HEX HEAD M18	1		
08	910366	CONNECTING SHAFT SEAT	1		
09	S24604	BOLT, FLANGE M6X12	2		
10	924185	CHUCK, BEARING	2		
11	924229	OIL SEAL, DRIVEN SFT, FR	2		
12	924228	BRG. SEC DRIVEN OUTPUT SFT FR	2		
13	924214	BRG. SEC DRIVEN GEAR, MDL(30X50X17)	2		
14	910362	REAR DRIVE SHAFT	1		
15	924217	RING, SEC DRIVEN BRG, MDL	2		
16	927315	BEARING	1		
17	911207	COUNTER SHAFT	1		
18	N33603	NUT, HEX HEAD M26X16	1		
19	W99640	WASHER 26X42X1t	1		
20	910374	BEVEL GEAR, 19 TEETH	1		
21	911618-S	SECONDARY DRIVE SHAFT(INCLUDING BOLT, WASHER)	1		

22	W99509	SHIM, SEC. DRIVEN SHAFT φ25Xφ34X0.05t	1
22A	W99510	SHIM, SEC. DRIVEN SHAFT φ25Xφ34X0.1t	1
22B	W99511	SHIM, SEC. DRIVEN SHAFT φ25Xφ34X0.3t	1
22C	W99512	SHIM, SEC. DRIVEN SHAFT φ25Xφ34X0.5t	1
23	910372	SOCKET	1
24	W99441	WASHER	1
25	S03402	BOLT, HEX. HEAD M14	1
26	910653	BEARING	1
27	910652	OIL SEAL	1
28	910633	SPACER	1
29	S21811	BOLT, FLANGE M8X1.25X90L	4
30	S24632	BOLT, FLANGE M6*1*45L	4
31	S20822	BOLT, FLANGE M8X45	1
33	W99517	SHIM, REVERSE SHAFT	1
34	910108A	SHIFT DRUM	1
35	924364	THRUST BEARING	1
36	924645	PIN, DOWEL	1
37	924237	FORK	1
38	910128	SHIFTING SHFT	1
39	W99709	WASHERφ17X30X1t	2
40	924643	BEARINGφ17xφ24x15	1
41	910020	IDLE GEAR, 23 TEETH	1
42	R00501	"C" CLIP	1
43	924186	SHAFT, REVERSE GEAR	1
44	924636	FORK, REVERSE GEAR	1
45	924184	BEARING 20X52X15	1
46	W99012	WASHER	1
47	910568	GEAR COMP, TRANSMISSION	1
48	924182	BEARINGφ25x52x15	1
49	910013	GEAR, 17 TEETH	1
50	R00206	"C" CLIP	1
51	910637	" O " RING	1
52	924149	" C " RING	1
53	924616	SPRING, RETURN	1
54	W99015	WASHER	2
55	N33001	NUT, HEX HEAD	1
56	924699	SPRING, FORK	1
57	W99709	WASHERφ17X30X1t	1

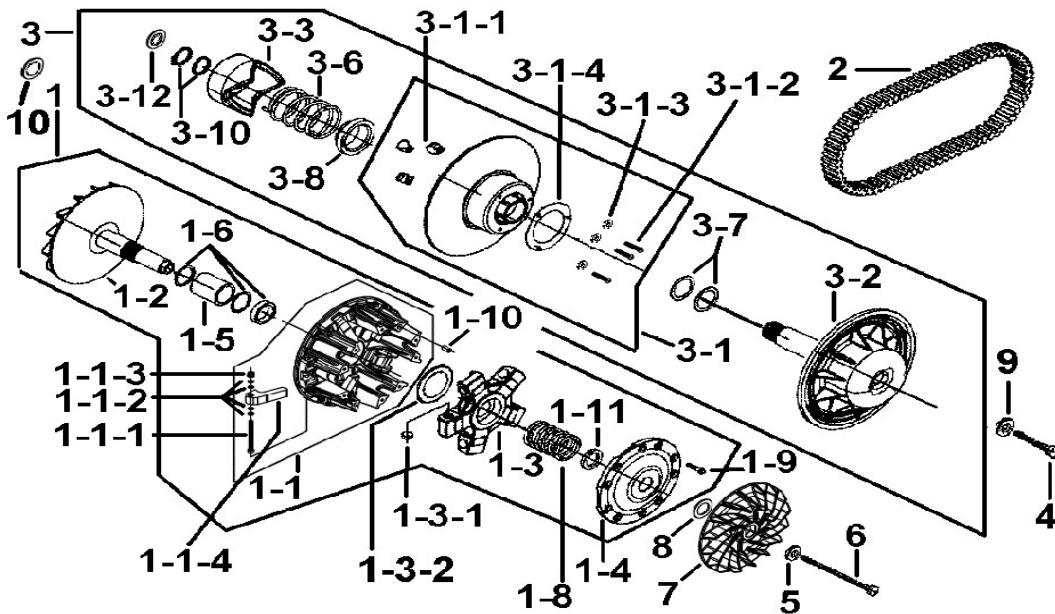
Total : 62



Item No.	Part No.	Description	Q'ty	Amend	Note
01	924764	ARM, GEAR POSITION	1		
02	S21604	BOLT, FLANGE M6X1.0X20L	1		
03	S20822	BOLT, FLANGE M8X45	1		
04	S21605	BOLT, FLANGE M6X10	1		
05	W99621	WASHER $\phi 6.5 \times \phi 13.2 \times 1.3t$	1		
06	S24603	BOLT, FLANGE M6x16	1		
07	924184	BEARING 20X52X15	1		
08	R00703	" C " RING	3		
09	W99218	WASHER	3		
10	910410	GEAR STOPPER	1		
11	925737	PIN, GEAR STOPPER	1		
12	W99639	WASHER 16mm	1		
13	911541	DRAIN BOLT	1		
14	925690	SHIFT CAMSHAFT COMP	1		
15	W99616	GASKET	1		
16	924231	STOPPER, GEAR SHAFT CAM	1		
17	924233	SET SCREW ,GEAR CAM STOP DOG	1		
18	924232	SPRING	1		
19	W99617	WASHER, SPRING ABATEMENT	1		
20	N10601	NUT, FLANGE 6mm	1		
21	910559	SECONDARY DIAL POLE	1		
22	W99639	WASHER 16mm	1		
23	910216	HOSE CONNECTOR	1		
24	R40501	CLIP	1		
25	910538	BREATH HOSE	1		
26	514410	CLAMP	3		
27	S24632	BOLT, FLANGE M6*1*45L	9		
28	924240	OIL SEAL $\phi 12 \times \phi 22 \times 9$	1		

29	911675	OIL PLUG	1	FOR ABS
30	924074	O-RING ϕ 2.4X ϕ 14.8	1	FOR ABS
31	R00501	"C" CLIP	1	FOR ABS

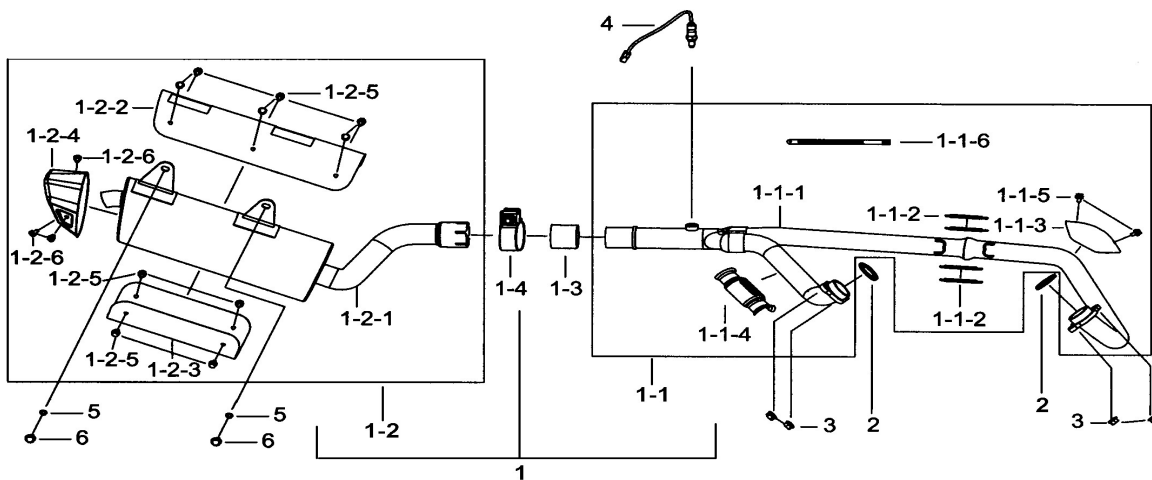
Total : 31



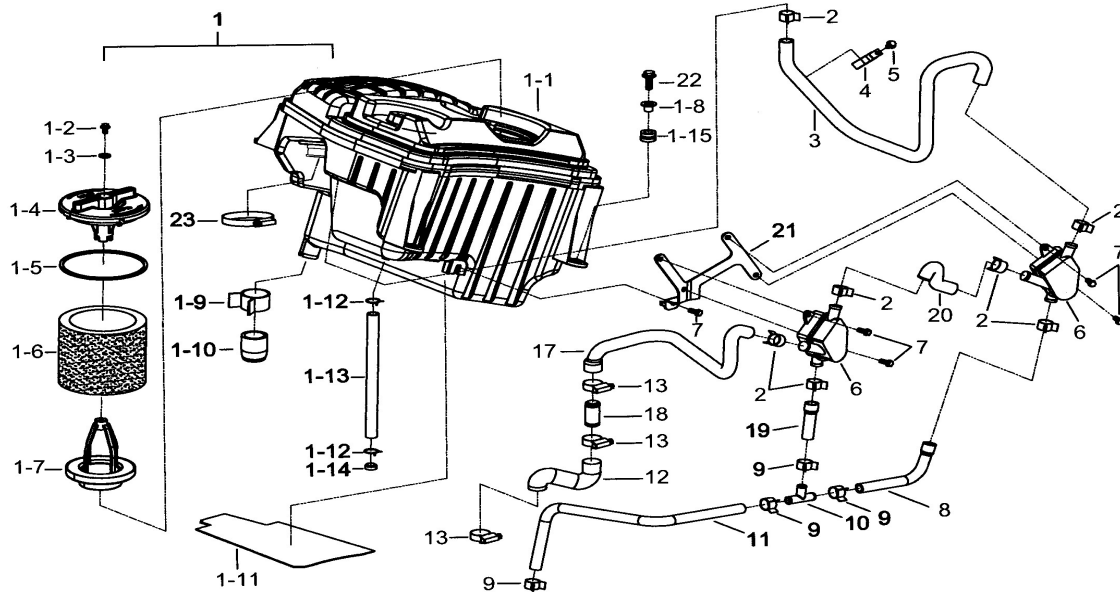
Item No.	Part No.	Description	Q'ty	Amend	Note
01	911462	DRIVE PULLEY ASSY.	1		
01-1	493210C	OUTER HAFT ASSY.	1		
01-1-1	492821	BOLT	5		
01-1-2	492837	WASHER	20		
01-1-3	492822	NUT	5		
01-1-4	493202B	CENFRIFUGAL LEVER KIT	5		
01-10	493075	PIN	2		
01-11	493093	LIMITER	1		
01-2	493124B	INNER HAFT ASSY.	1		
01-3	493168B	GOVERNOR CUP ASSY.	1		
01-3-1	492830	SLIDER SHOE	10		
01-3-2	493167	WASHER	1		
01-4	492907B	TUNER HAFT COVER ASSY.	1		
01-5	911280A	BEARING	1		
01-6	493165A	SPACER(INCLUDING WASHER)	1		
01-8	493138	SPRING	1		
01-9	492733	SCREW	10		
02	911226	BELT	1		
03	911463	DRIVEN PULLEY ASSY.	1		
03-1	492904C	OUTER HAFT ASSY.	1		
03-1-1	492464	SLIDER SHOE	3		
03-1-2	493113	SCREW	3		
03-1-3	493112	SPRING WASHER	3		
03-1-4	493084	OUTER HAFT WASHER	1		
03-10	493085	C CLIP	2		
03-12	493145	GASKET	1		
03-2	493218B	TINNER HAFT ASSY.	1		
03-3	493203	CAM	1		

03-6	493193	SPRING	1
03-7	492475	WASHER	2
03-8	493076	SPRING SEAT	1
04	S03401	BOLT, HEX. HEAD M14X2.0X110L	1
05	W99228	WASHER	1
06	S03202	BOLT	1
07	910593A	COOLING FAN	1
08	910657	SPACER	1
09	911208	WASHER	1
10	W99543	WASHER(0.8mm)	1

Total : 38



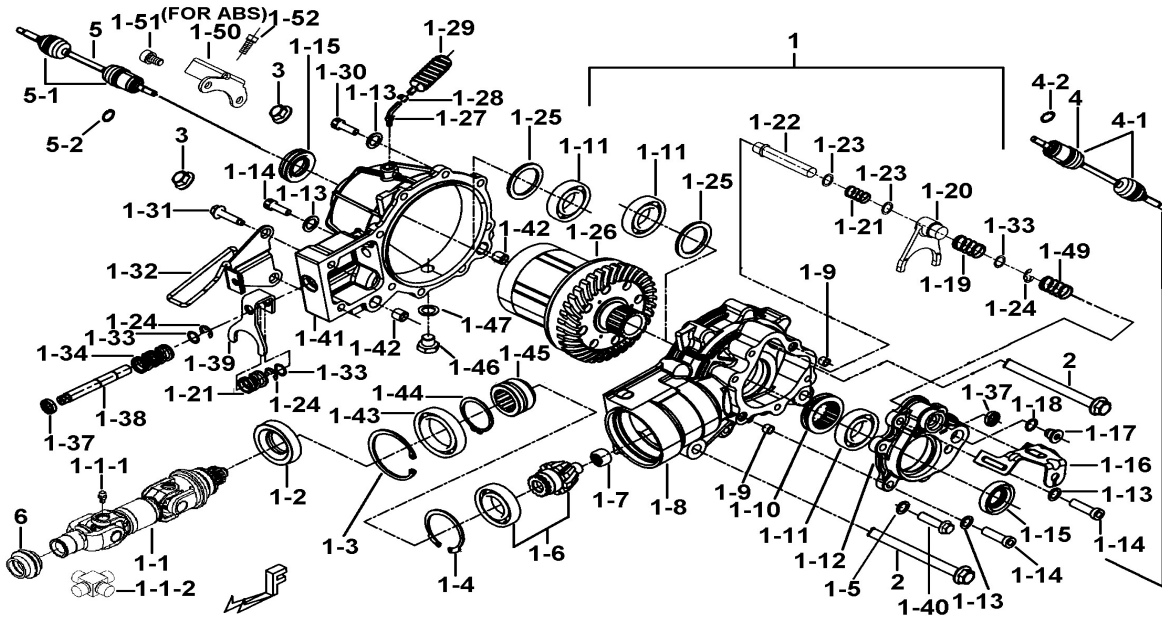
Item No.	Part No.	Description	Q'ty	Amend	Note
01	911168	MUFFLER ASSY.	1		
01-1	911201	EXHAUST PIPE COMP.	1		
01-1-1	911191	EXHAUST PIPE	1		
01-1-2	910609	SPRING	4		
01-1-3	910599	PROTECTOR COVER	1		
01-1-4	910689	PROTECTOR COVER	2		
01-1-5	910602	SCREW SET, COVER	2		
01-1-6	911179	CLAMP	2		
01-2	911202	BODY COMP., MUFFLER	1		
01-2-1	911192	BODY , MUFFLER	1		
01-2-2	910600	PROTECTOR COVER	1		
01-2-3	910601	PROTECTOR COVER	1		
01-2-4	910485	REAR COVER, ORNAMENTAL	1		
01-2-5	910602	SCREW SET, COVER	10		
01-2-6	910597	BOLT SET, HEX. SOCKET	3		
01-3	910542	GASKET, PLUMBAGO	1		
01-4	910549	CLAMP	1		
02	910387	GASKET, EXHAUST PIPE	2		
03	N10801	NUT, FLANGE 8mm	4		
04	910714Y	O2 SENSOR	1		
05	GA556WS04	SPRING WASHER 8X15X2.0	2		
06	S20814	BOLT, FLANGE M8X1.25X20L	2		



Item No.	Part No.	Description	Q'ty	Amend	Note
01	910391A	AIR CLEANER ASSY.(INCLUDING 910391)	1		
01-1	910610	AIR CLEANER	1		
01-10	910616	DRAIN TUBE	1		
01-11	910491	HEAT INSULATION	1		
01-12	910617	RETAINER CLIP	2		
01-13	910618	DRAIN TUBE	1		
01-14	910619	PLUG	1		
01-15	910621	RUBBER	4		
01-2	910611	SCREW	1		
01-3	910612	SPRING WASHER	1		
01-4	910301	CAP, FILTER	1		
01-5	910326	" O " RING	1		
01-6	910613	FILTER ELEMENT	1		
01-7	910614	FILTER SEAT	1		
01-8	910620	SPACER	4		
01-9	910615	RETAINER CLIP	1		
02	R40701	CLIP	7		
03	910510	HOSE	1		
04	925350	CLIP " P "	1		
05	S57501	SCREW, OVAL HEAD, FLANGE M5X16	1		
06	910508	OIL / AIR SEPARATOR	2		
07	S24604	BOLT, FLANGE M6X12	5		
08	910544	HOSE	1		
09	R40501	CLIP	4		
10	910543	THREE WAY TUBE UNIT	1		
11	910592	HOSE	1		
12	910511	VENT HOSE	1		

13	R65603	CLIP	3
17	910580	VENT HOSE	1
18	910665	TWO WAY TUBE UNIT	1
19	910509	VENT HOSE	1
20	910547	HOSE	1
21	910520	BRACKET	1
22	S20802	BOLT, FLANGE M8X30L	4
23	925081	CLAMP	1

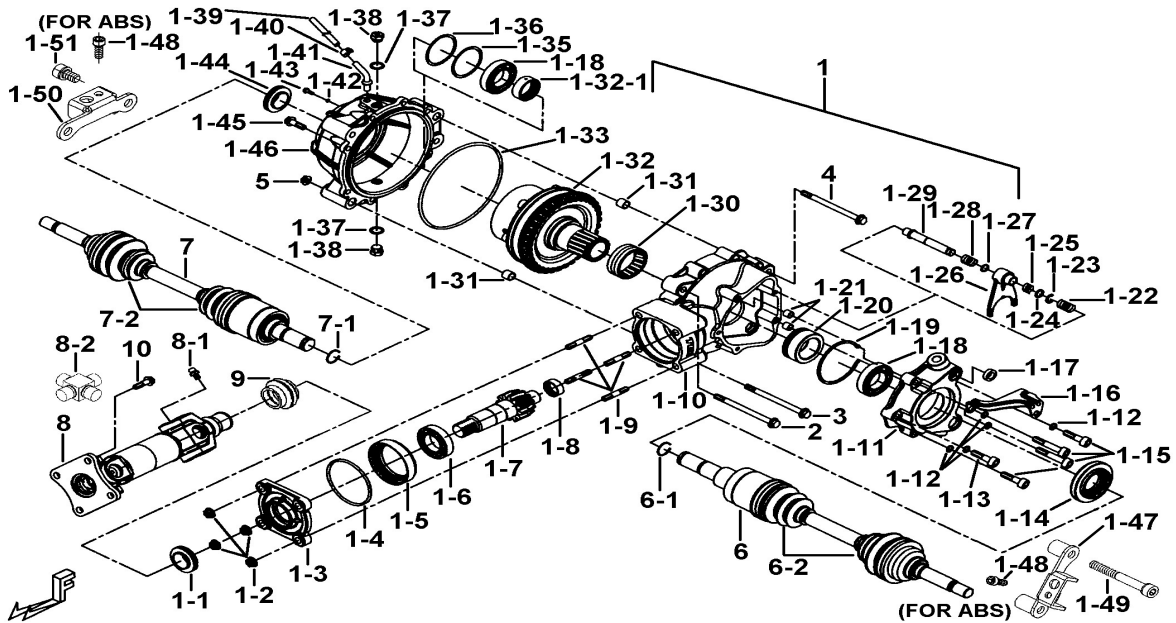
Total : 35



Item No.	Part No.	Description	Q'ty	Amend	Note
01	910401	FRONT DIFFERENTIAL ASSY.(LOCK)	1		
01-01	910399	UNIVERSAL JOINT ASSY.	1		
01-02	924380	OIL SEAL $\phi 52 \times \phi 73 \times 14$	1		
01-03	R01301	CLIP	1		
01-04	924606	CLIP	1		
01-05	W99621	WASHER $\phi 6.5 \times \phi 13.2 \times 1.3t$	1		
01-06	927025A	PINION, DRIVE.(CONTAIN BEARING)	1		
01-07	924384	BEARING $\phi 15 \times \phi 21 \times 12$	1		
01-08	910654	GEAR BOX	1		
01-09	P40102	PIN, DOWEL 8.5X11X5.8L	2		
01-1-1	925494	GREASE NIPPLE	1		
01-1-2	911375	REPAIR KIT, CROSS JOINTER $\phi 19$	1		
01-10	924886	LOCK SLEEVE(19T)	1		
01-11	925337	BEARING	3		
01-12	910522	HOUSING FRONT DRIVE	1		
01-13	GA556WS04	SPRING WASHER 8X15X2.0	14		
01-14	S70810	SCREW, SOCKET HEAD M8X1.25X36L	8		
01-15	925010A	OIL SEAL	2		
01-16	924982	STEEL ROPE BRACKET	1		
01-17	924339	SCREW	1		
01-18	W99639	WASHER 16mm	1		
01-19	925353	SPRING	1		
01-20	924887	FORK, SHIFT	1		
01-21	924970	SPRING, SHIFT	2		
01-22	924871	ROD, SHIFT	1		
01-23	924971	WASHER 1t	2		
01-24	R10702	" E " RING	3		

01-25	W99307	SHIM 0.1t	2	
01-25A	W99308	SHIM 0.3t	2	
01-26	910589A	SLIP LIMITED GEAR ASSY.	1	
01-27	924261	EXHAUST PIPE, BREATHE	1	
01-28	R40802	CLIP	1	
01-29	924264	CASE, BREATHER	1	
01-30	S70809	SCREW, SOCKET HEAD M8X1.25X40L	6	
01-31	S21815	BOLT, FLANGE M8X1.25X50L	2	
01-32	924611	BRACKET ASSY, SHIFT	1	
01-33	W99218	WASHER	3	
01-34	925673	SPRING, RETURN	1	
01-37	924381	OIL SEAL ϕ 12X ϕ 20X5	2	
01-38	927078	ROD, SHIFT	1	
01-39	927106	FORK, SHIFT	1	
01-40	S20623	BOLT M6X14	1	
01-41	924981	COVER, FRONT DRIVE	1	
01-41A	924981B	COVER, FRONT DRIVE	1	FOR ABS
01-42	P40301	PIN, DOWEL	2	
01-43	924382	BEARING ϕ 45X ϕ 68X12	1	
01-44	R00105	CLIP	1	
01-45	924398	SLEEVE, SHIFT (14T)	1	
01-46	924326	DRAIN PLUG BOLT	1	
01-47	W99433	WASHER ϕ 14.2X ϕ 1.5	1	
01-49	925354	SPRING	1	
01-50	911661B	BRACKET	2	FOR ABS
01-51	S70814	BOLT M8X12	2	FOR ABS
01-52	S79602	SCREW, SOCKET HEAD M6x16	2	FOR ABS
01A	910401B	FRONT DIFFERENTIAL ASSY.(ABS)	1	FOR ABS
02	S20057	BOLT, FLANGE	2	
03	GA551NT01	NUT, SELFLOCK M10X10	2	
04	911118Y	TRANSMISSION SHAFT (RH)	1	
04-1	911229Y	BOOT SET(R), TRANSMISSION SHAFT	1	
04-2	925685	" C " CLIP ϕ 23.5	1	
04A	911118BY	TRANSMISSION SHAFT (RH)(ABS)	1	FOR ABS
05	911117AY	TRANSMISSION SHAFT (LH)	1	
05-1	910603Y	BOOT SET(L), TRANSMISSION SHAFT	1	
05-2	925685	" C " CLIP ϕ 23.5	1	
05A	911117BY	TRANSMISSION SHAFT (LH)(ABS)	1	FOR ABS
06	924224	BOOT, PROPELLER SHAFT	1	

Total : 66



Item No.	Part No.	Description	Q'ty	Amend	Note
01	910402	REAR DIFFERENTIAL ASSY.(LOCK)	1		
01-1	910586	OIL SEAL	1		
01-10	910200	GEAR BOX, REAR DIFFERENTIAL	1		
01-11	910521	HOUSING, FRONT DRIVE	1		
01-12	GA556WS04	SPRING WASHER 8X15X2.0	5		
01-13	S70810	SCREW, SOCKET HEAD M8X1.25X36L	1		
01-13A	S70824	BOLT, FLANGE M8X60L	1		FOR ABS
01-14	910408	OIL SEAL	1		
01-15	S70809	SCREW, SOCKET HEAD M8X1.25X40L	4		
01-15A	S70809	SCREW, SOCKET HEAD M8X1.25X40L	3		FOR ABS
01-16	910204	STEEL ROPE BRACKET	1		
01-17	924381	OIL SEAL ϕ 12X ϕ 20X5	1		
01-18	911591	BEARING(6209)	2		
01-19	R01803	" C " CLIP	1		
01-2	N10001	NUT	4		
01-20	910182	LOCK SLEEVE	1		
01-21	P40102	PIN, DOWEL 8.5X11X5.8L	2		
01-22	910492	SPRING	1		
01-23	R10702	" E " RING	1		
01-24	W99218	WASHER	1		
01-25	925353	SPRING	1		
01-26	910206	FORK, SHIFT	1		
01-27	924971	WASHER 1t	1		
01-28	924970	SPRING, SHIFT	1		
01-29	910181	ROD, SHIFT	1		

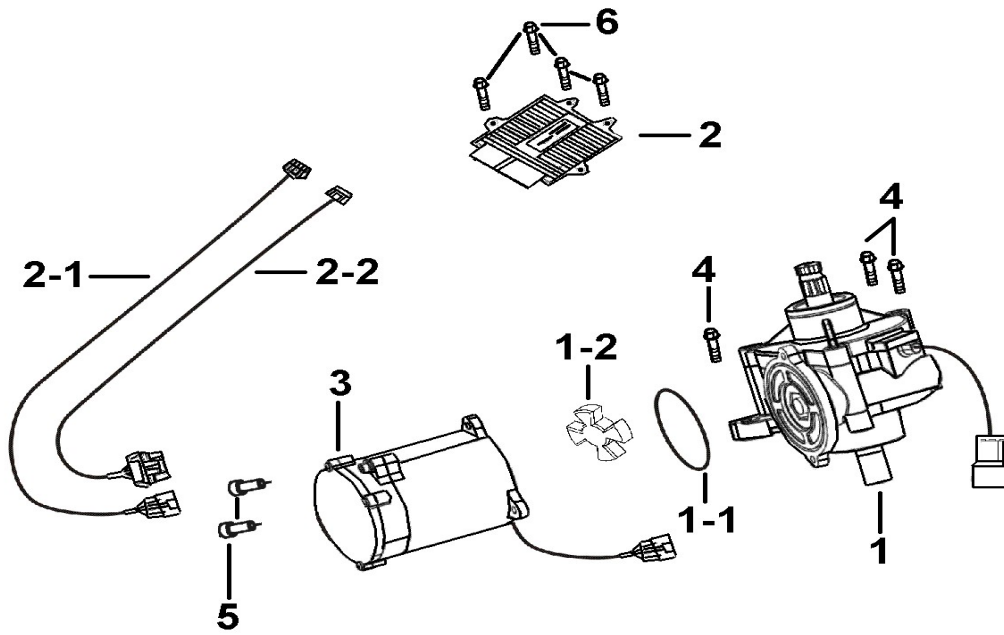
01-3	910203	HOUSING, REAR FINAL DRIVE	1	
01-30	910498	BEARING	1	
01-31	P40301	PIN, DOWEL	2	
01-32	910581-S	SLIP LIMITED GEAR ASSY.(INCLUDING BEARING)	1	
01-32-1	910500	BEARING	1	
01-33	910208	" O " RING	1	
01-35	W99832	SHIM 0.2t	1	
01-36	W99833	SHIM 0.3t	1	
01-37	W99639	WASHER 16mm	2	
01-38	924339	SCREW	2	
01-39	910536	PIPE, BREATHER	1	
01-4	910209	" O " RING	1	
01-40	R40002	CLIP	1	
01-41	924261	EXHAUST PIPE, BREATHE	1	
01-42	W99621	WASHER $\phi 6.5 \times \phi 13.2 \times 1.3t$	1	
01-43	S21605	BOLT, FLANGE M6X10	1	
01-44	925010A	OIL SEAL	1	
01-45	S21813	SCREW	8	
01-46	910199	CASE, REAR FINAL DRIVEN	1	
01-46A	910199B	CASE, REAR FINAL DRIVEN	1	FOR ABS
01-47	911674L	BRACKET	1	FOR ABS
01-48	S79602	SCREW, SOCKET HEAD M6x16	2	FOR ABS
01-49	S70822	BOLT, FLANGE M8X65L	1	FOR ABS
01-5	910212	RING SNAP	1	
01-50	911674	BRACKET	1	FOR ABS
01-51	S70814	BOLT M8X12	2	FOR ABS
01-6	910501	BEARING(63/32)	1	
01-7	910213	SHAFT, REAR FINAL DRIVE	1	
01-8	911592	BEARING	1	
01-9	S95003	STUD	4	
01A	910402B	REAR DIFFERENTIAL ASSY.(ABS)	1	FOR ABS
02	S20019	BOLT, FLANGE M10X110L	1	
03	S20055	BOLT, FLANGE	1	
04	S20057	BOLT, FLANGE	2	
05	GA551NT01	NUT, SELFLOCK M10X10	4	
06	911119Y	REAR TRANSMISSION SHAFT(LH)	1	
06-1	925250	" C " CLIP	1	
06-2	910604Y	BOOT SET, TRANSMISSION SHAFT	1	
06A	911119BY	REAR TRANSMISSION SHAFT(LH)(ABS)	1	FOR ABS
07	911120Y	REAR TRANSMISSION SHAFT(RH)	1	
07-1	925250	" C " CLIP	1	
07-2	910604Y	BOOT SET, TRANSMISSION SHAFT	1	
07A	911120BY	REAR TRANSMISSION SHAFT(RH)(ABS)	1	FOR ABS
08	927155	UNIVERSAL JOINT ASSY	1	
08-1	925494	GREASE NIPPLE	1	
08-2	911376	REPAIR KIT, CROSS JOINTER $\phi 24$	1	
09	910662	DUST GUARD COVER	1	
10	S21007	BOLT M10X1.25X20	4	

Total : 73

117

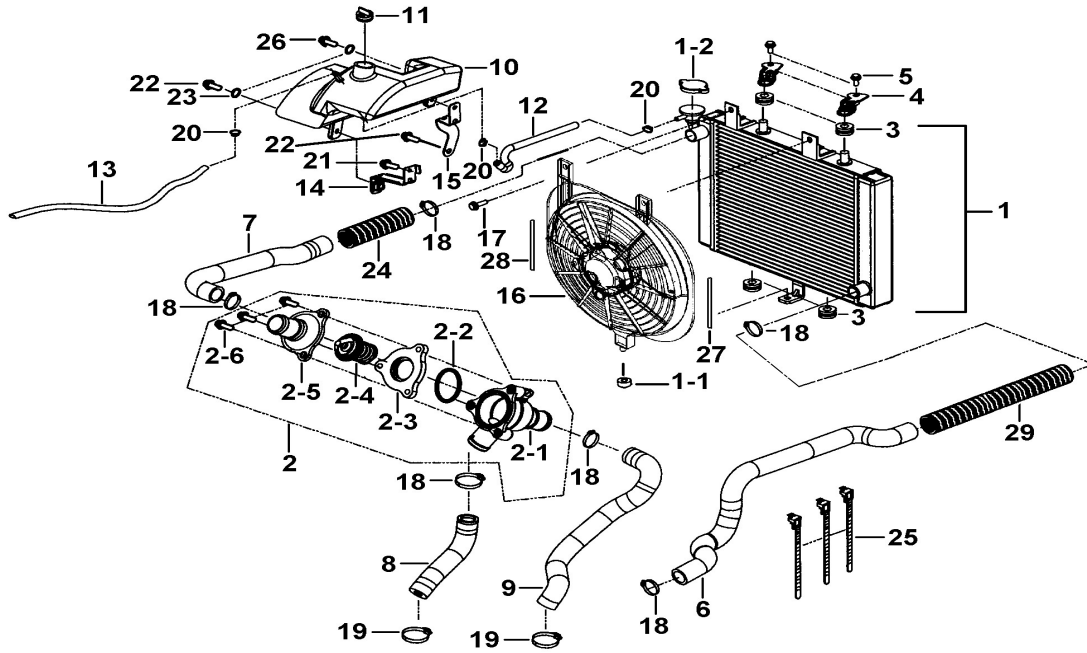
EPS ASSY.(FOR BRUSH MOTOR)

ETT-JJ



Item No.	Part No.	Description	Q'ty	Amend	Note
01	927823Y	EPS GEAR BOX	1		
01-1	910875Y	"O" RING	1		
01-2	910873Y	ADAPTOR BUFFER	1		
02	925908YA	CONTROLLER(2.1.0)	1		
02-1	910825Y	SIGNAL WIRING	1		
02-2	910863Y	POWER WIRING	1		
03	925911Y	MOTOR	1		
04	S20802	BOLT, FLANGE M8X30L	3		
05	910874Y	BOLT	2		
06	S24614	BOLT, FLANGE M6X28	4		

Total : 10



Item No.	Part No.	Description	Q'ty	Amend	Note
01	910379Y	RADIATOR ASSY.	1		
01-1	910594Y	RUBBER	1		
01-2	911105Y	CAP, RADIATOR ASSY.	1		
02	910506	THERMOSTAT ASSY.	1		
02-1	910389	HOUSING, THERMOSTAT	1		
02-2	926107	O-RING	1		
02-3	910359	PLATE	1		
02-4	924294	THERMOSTAT COMP.	1		
02-5	910388	THERMOSTAT	1		
02-6	S20626	BOLT M6X35	3		
03	402129	WASHER, RUBBER	4		
04	910450	BRACKET	2		
05	S21008	BOLT M10X20	2		
06	910453	COOLANT OUTLET HOSE	1		
07	910454	COOLANT INLET HOSE	1		
08	910459	CONNECTING HOSE, F. CYLINDER	1		
09	910460	CONNECTING HOSE, R. CYLINDER	1		
10	910390	RESERVOIR ASSY.	1		
11	924642	RESERVOIR CAP	1		
12	910507	HOSE, RECIRCULATION	1		
13	911101	HOSE 950mm	1		
14	910481	BRACKET(FRONT)	1		
15	910482	BRACKET(REAR)	1		
16	910852	COOLING FAN ASSY.	1		
17	GA555SC05	BOLT, OUTLET M6X1.0X16L	2		
18	R66302	CLIP	6		
19	R65603	CLIP	2		
20	R40201	CLIP	3		

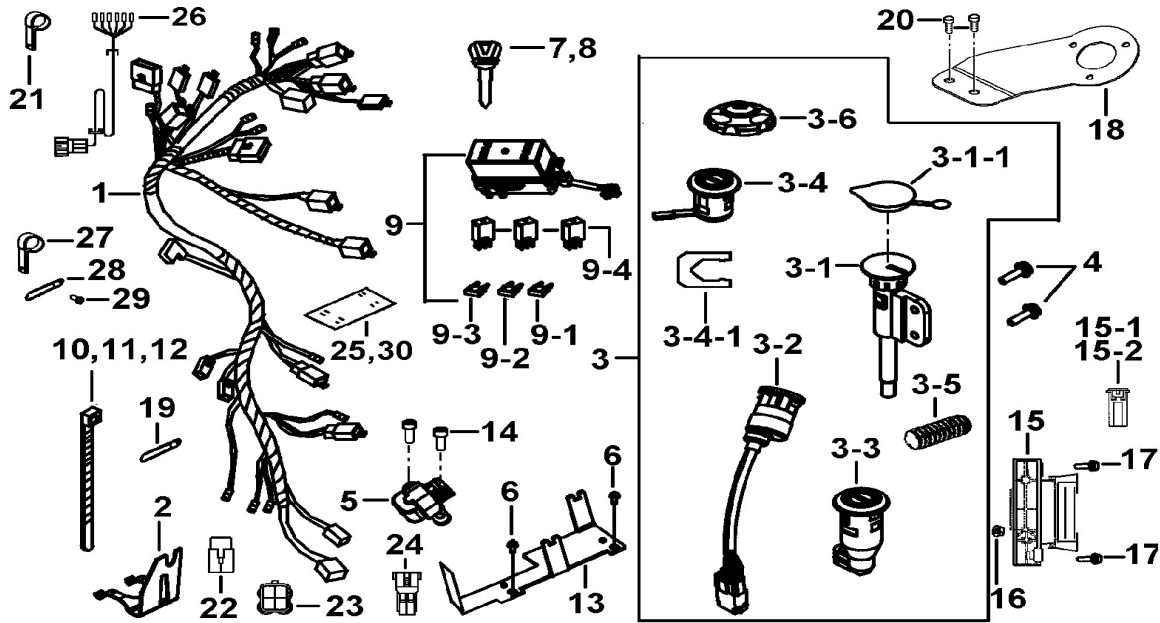
21	S20611	BOLT, HEX HEAD M6X20	1
22	S20814	BOLT, FLANGE M8X1.25X20L	2
23	W99005	WASHER 2t	1
24	910527	PROTECTION TUBE, HOSE(15 cm)	1
25	518740	CLAMP L300	3
26	S25603	BOLT	2
27	911210	RUBBER CUSHION(L)	1
28	911211	RUBBER CUSHION(R)	1
29	911457	PROTECTION TUBE, HOSE(44 cm)	1

Total : 37

119

WIRING HARNESS, LOCK ASSY.

ETT-JJ



Item No.	Part No.	Description	Q'ty	Amend	Note
01	910917	WIRING HARNESS	1		FOR EPS
02	923437	REED	1		
03	910777C	LOCK ASSY.(INCLUDING CAP)	1		
03-1	924457-S	LOCK SET, STEERING	1		
03-1-1	924459	LOCK SET, STEERING CAP	1		
03-2	924424C-S	LOCK SET, IG SW.	1		
03-3	440744-S	LOCK SET, SEAT	1		
03-4	924448-S	LOCK	2		
03-4-1	925711	FIXED FILM	1		
03-5	923445	CASE, BREATHER	1		
03-6	910775-S	LOCK SET, FUEL CAP	1		
04	S96601	SCREW, SPECIAL	2		
05	926717	TILT SW	1		
06	S70607	SCREW, SOCKET HEAD M6X20	2		
07	923423	BLANK KEY RH.	1		OPTION
07A	923423C	BLANK KEY RH.(INCLUDING CAP)	1		OPTION
08	923424	BLANK KEY LH.	1		OPTION
08A	923424C	BLANK KEY LH.(INCLUDING CAP)	1		OPTION
09	910729	FUSE WIRING HARNESS	1		
09-1	926708	MINI FUSE, 10A	6		
09-2	926709	MINI FUSE, 15A	2		
09-3	926710	MINI FUSE, 20A	2		
09-4	927782	MINI RELAY	3		
10	518739	CLAMP L200	4		
11	518739	CLAMP L200	5		
12	518740	CLAMP L300	10		
13	926711	FUSE BOX BRACKET	1		
14	S79501	SCREW, SOCKET HEAD M5x16	2		

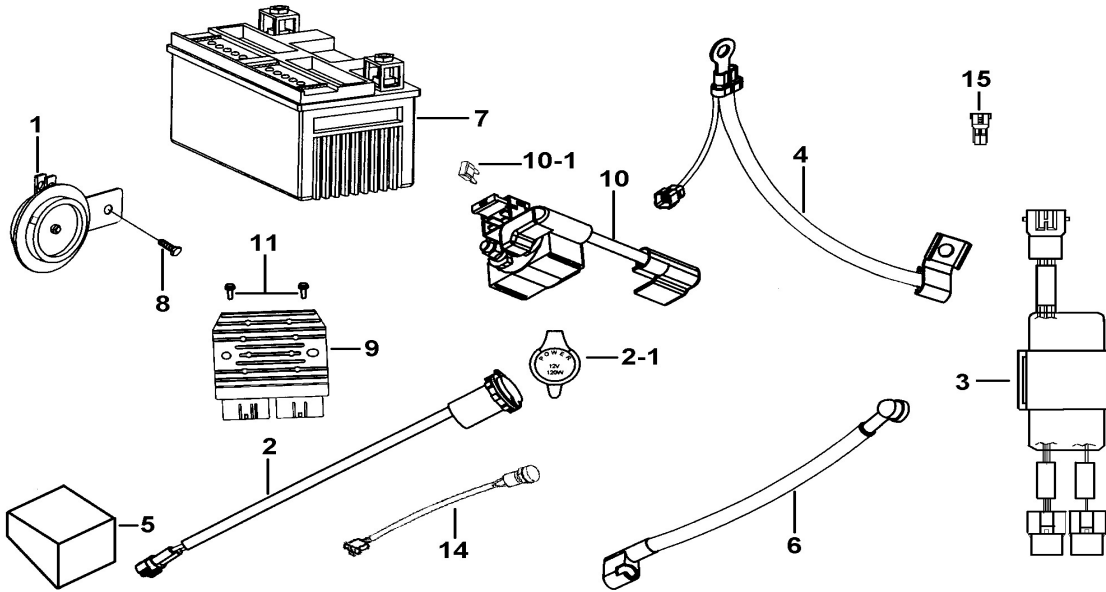
15	927735	FUSE WIRING HARNESS(GEP)	1	FOR EPS
15-1	927761	FUSE, 40A	1	
15-2	927762	FUSE, 30A	2	
16	N10601	NUT, FLANGE 6mm	1	FOR EPS
17	S70609	SCREW, SOCKET HEAD M6x16	2	FOR EPS
18	910758	BRACKET	1	
19	514410	CLAMP	2	
20	S21809	BOLT M8X1.25X18L	2	OPTION
21	910815	CLAMP " P "	1	
22	927905	COUPLER(2P)	1	OPTION
23	910836	COUPLER(4P)	1	
24	927906	COUPLER	1	
25	910826	CUSHION, RUBBER	1	
26	910938	ADAPTER COMP.(6 PIN)	1	OPTION
27	924833	CLAMP " P "	1	
28	514410	CLAMP	1	
29	S21605	BOLT, FLANGE M6X10	1	
30	911743	CUSHION, RUBBER	1	

Total : 46

120

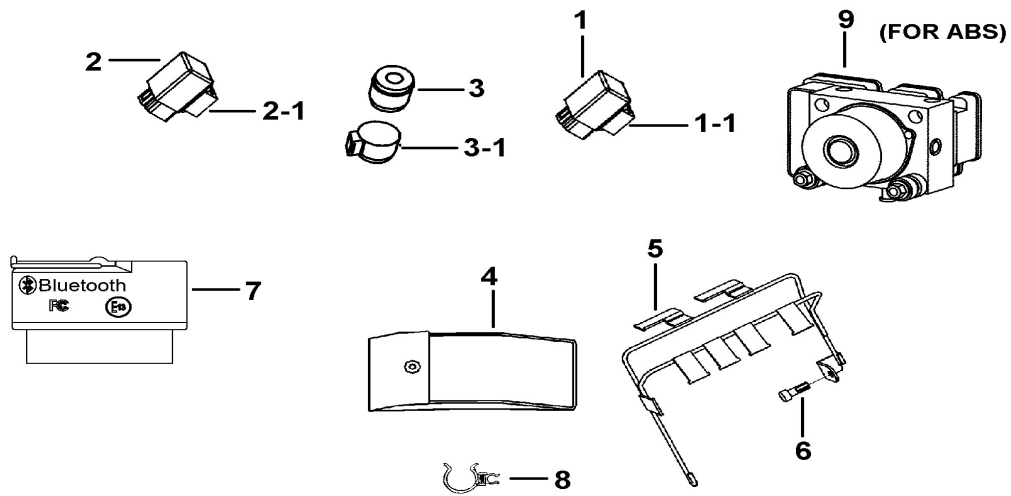
BATTERY, HORN, RELAY, RECTIFIER

ETT-JJ



Item No.	Part No.	Description	Q'ty	Amend	Note
01	440809	HORN COMP	1		
02	925873	POWER SOURCE	2		
02-1	925874	CAP, RUBBER	1		
03	926743A	SHIFT GEAR CONTROLLER	1		
04	911243	CABLE COMP.(NEGATIVE)	1		
05	924464	CUSHION	1		
06	911244	STARTING TERMINAL CABLE COMP.	1		
07	924423A	BATTERY 12V 18AH	1		
08	GA510SC03	SCREW, HEX. HEAD M6X16	1		
09	910854	RECTIFIER(MOS *3)	1		
10	929718A	RELAY, STARTING MOTOR	1		
10-1	552813	FUSE, 30A	1		
11	S70610	SCREW, SOCKET HEAD M6x25	2		
14	910925	BRAKE PRESSURE FAIL LAMP(LED)	1		
15	927906	COUPLER	1		

Total : 15



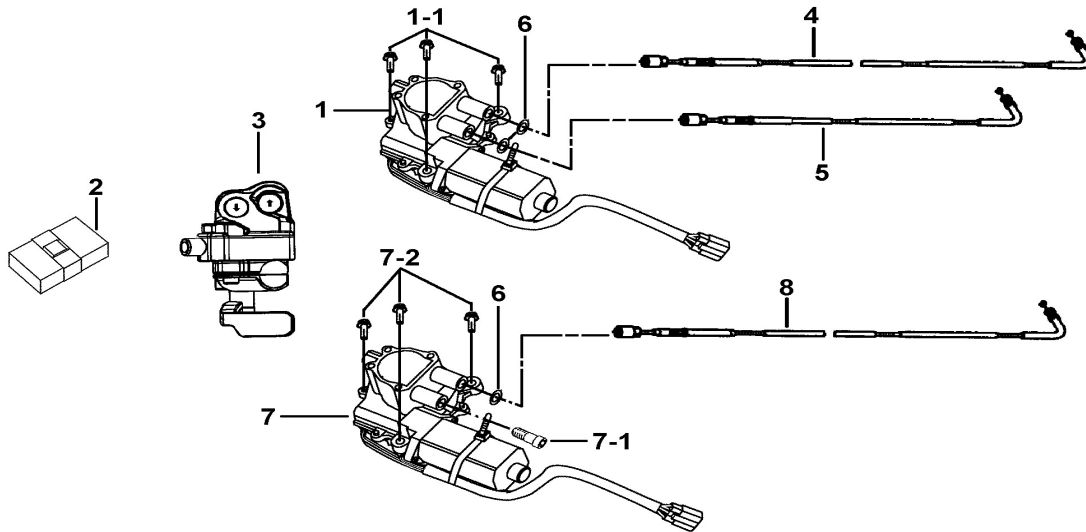
Item No.	Part No.	Description	Q'ty	Amend	Note
01	GA5100004A	RELAY	2		
01-1	924453	BUSH, RUBBER	1		
02	441066	RELAY(20A, NC)	1		
02-1	924453	BUSH, RUBBER	1		
03	911714	RELAY, TURN SIGNAL	1		
03-1	924454	BUSH, RUBBER	1		
04	925802	TOOL BAG	1		
05	910733	BRACKET	1		
06	S24603	BOLT, FLANGE M6x16	1		
07	926929	DIAGNOSTIC TOOL	1		OPTION
08	910844	CLAMP	1		
09	910994	ABS CONTROLLER	1		FOR ABS

Total : 12

122

SERVOMOTOR ASSY.

ETT-JJ



Item No.	Part No.	Description	Q'ty	Amend	Note
01	925167	SERVOMOTOR ASSY.	1		
01-1	S24616	BOLT, FLANGE M6X20	3		
02	926820	CONTROLLER(2WD/4WD)	1		
03	926824	LOCK SWITCH	1		
04	513077	CABLE, TRANSFER SHIFT	1		
05	513078	CABLE, TRANSFER SHIFT(LOCK)	1		
06	W99433	WASHER $\phi 14.2 \times \phi 1.5$	3		
07	910723	REAR SERVOMOTOR ASSY.	1		
07-1	S20407	BOLT, FLANGE	1		
07-2	S24616	BOLT, FLANGE M6X20	3		
08	513093	CABLE, TRANSFER SHIFT(LOCK)	1		

Total : 11

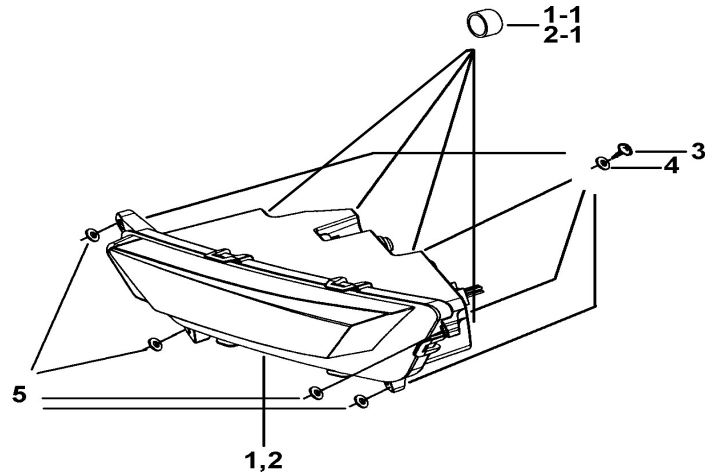
201	SPEEDOMETER		ETT-JJ		
Item No.	Part No.	Description	Q'ty	Amend	Note
01	911709	SPEEDOMETER ASSY.(TFT)	1		
02	519024-M2	REAR HANDLE GUARDS (BROACH)	1		
03	512669	BRACKET , UPPER	1		
04	513129	BRACKET , BOTTOM	1		
05	S70609	SCREW, SOCKET HEAD M6x16	1		
06	518739	CLAMP L200	4		
07	GA552WS05	WASHER 5.2X10X0.8	3		
08	W10501	SPRING WASHER φ5.2X8.7X1.2t	3		
09	S13502	SCREW,CROSS RECESSED,PAN HEAD M5X10	3		
10	S57501	SCREW,OVAL HEAD, FLANGE M5X16	4		
11	GA555SC05	BOLT, OUTLET M6X1.0X16L	4		
12	GA552SC11	SCREW, TAPPING M4X16	4		
14	S50401	SCREW TAPPING M4X12	4		
15	W99642	WASHER	1		
16	911727	CONNECT WIRE(SPEEDOMETER TFT)	1		(W/O ABS)

Total : 15

202

HEAD LAMP ASSY.(LED)

ETT-JJ



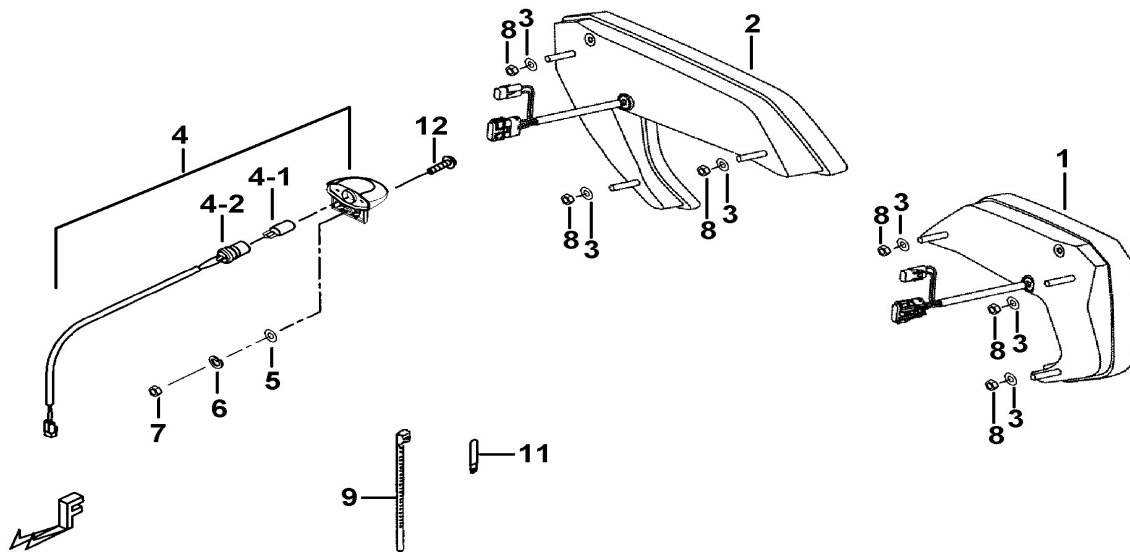
Item No.	Part No.	Description	Q'ty	Amend	Note
01	910915Y	HEAD LAMP ASSY., LH.(LED)	1		
01-1	910978Y	VENT CAP	4		
02	910916Y	HEAD LAMP ASSY., RH.(LED)	1		
02-1	910978Y	VENT CAP	4		
03	GA552SC11	SCREW, TAPPING M4X16	8		
04	GA552WS05	WASHER 5.2X10X0.8	8		
05	W99440	WASHER	8		

Total : 7

203

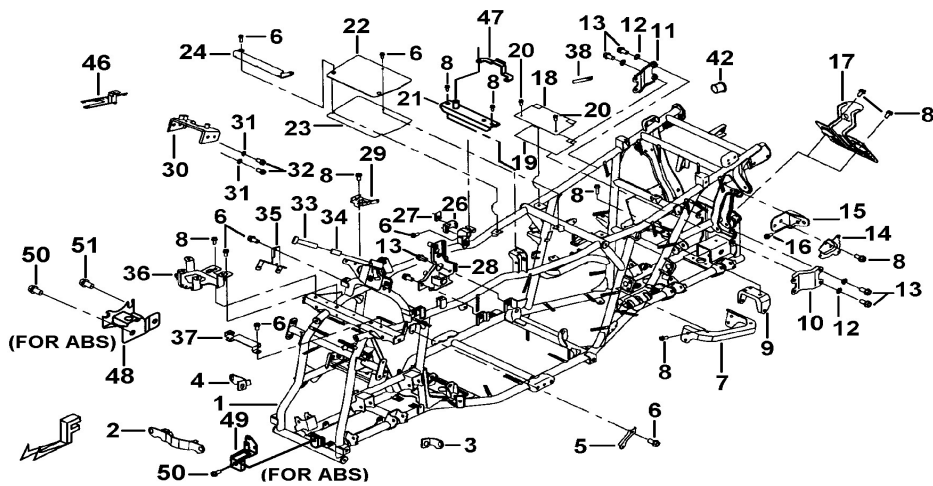
REAR LAMP ASSY.(LED)

ETT-JJ



Item No.	Part No.	Description	Q'ty	Amend	Note
01	910988	REAR LAMP COMP., LH.(LED)	1		
02	910989	REAR LAMP COMP., RH.(LED)	1		
03	W99605	WASHER M6	6		
04	925919	NUMBER-PLATE LAMP	1		
04-1	927717	BULB 12V 5W	1		
04-2	927718	WIRING SET, NUMBER-PLATE LAMP	1		
05	GA552WS05	WASHER 5.2X10X0.8	1		
06	W10501	SPRING WASHER ϕ 5.2X8.7X1.2t	1		
07	GA552NT05	NUT, FLANGE M5	1		
08	N10603	NUT, SPRING M6	6		
09	518739	CLAMP L200	3		
11	514410	CLAMP	3		
12	GA510SC10	SCREW, HEX. HEAD M5X20	1		

Total : 13



Item No.	Part No.	Description	Q'ty	Amend	Note
01	511339	MAIN FRAME	1		FOR EPS
01A	519825	MAIN FRAME	1		FOR ABS
02	511308	BRACKET	1		
03	511310	BRACKET (L.R.)	1		
04	511311	BRACKET (R.R.)	1		
05	517969	FRONT INTERNAL FENDER	1		
06	GA555SC05	BOLT, OUTLET M6X1.0X16L	10		
07	517947	TANK BRACKET	1		
08	S21809	BOLT M8X1.25X18L	15		
09	517972	REAR DIFFERENTIAL BRACKET(UPPER)	1		
10	517948	REAR DIFFERENTIAL BRACKET, LH.	1		
11	517953	REAR DIFFERENTIAL BRACKET, RH.	1		
12	GA556WS06	WASHER, SPRING 10X18X2.5	4		
13	S21008	BOLT M10X20	7		
14	517954	MOTOR BRACKET	1		
15	517999	BRACKET	1		
16	S72805	BOLT, SOCKET M8X20L	2		
17	511991	BRACKET ASSY., NUMBER-PLATE	1		
18	514931	SEAT STEADY	1		
19	511331	HEAT ISULATION	1		
20	S20617	BOLT, FLANGE M6X25	2		
21	517977	REAR BRACKET,AIR CLEANER	1		
22	517955	HEAT ISULATION	1		
23	511330	FLOOR CUSHIONS INSULATION STICKER	1		
24	517958	CUSHIONS FIXED PLATE(FRONT)	1		
26	517978	BRACKET,SIDE COVER	2		
27	N32601	NUT, SPRING	2		
28	517979	BRACKET,PEDAL BRAKE LEVER	1		
28A	519851	BRACKET,PEDAL BRAKE LEVER(ABS)	1		FOR ABS
29	517959	HIGH VOLTAGE COIL BRACKET	1		
30	511369	BRACKET, EPS	1		FOR EPS
31	GA556WS04	SPRING WASHER 8X15X2.0	4		FOR EPS
32	S20814	BOLT, FLANGE M8X1.25X20L	4		FOR EPS

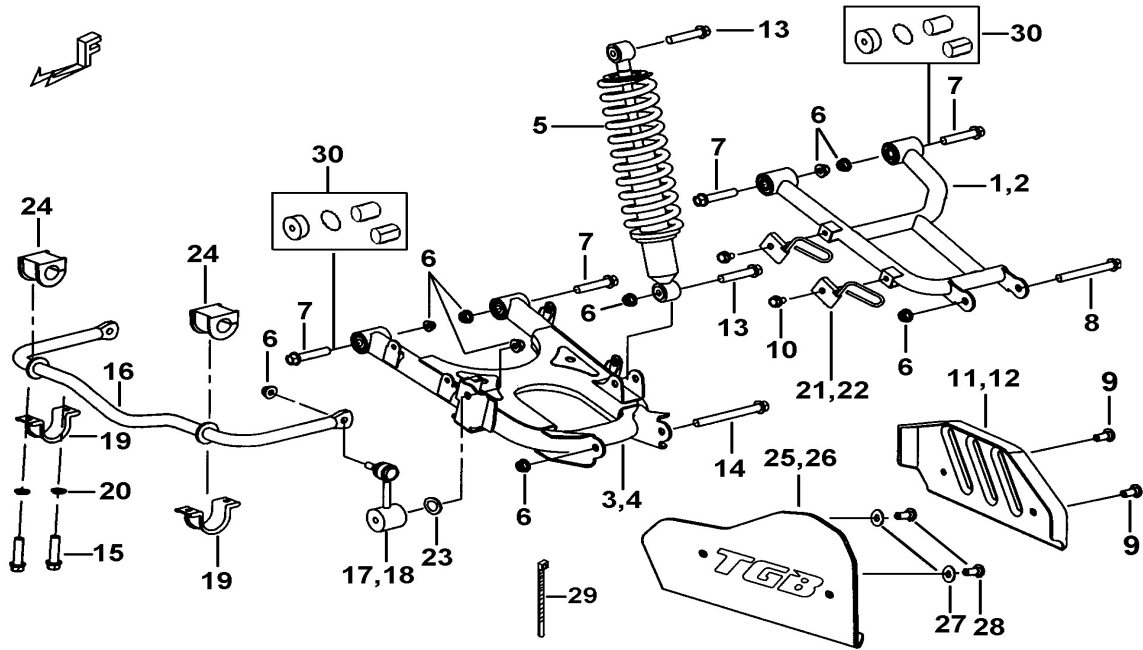
33	511953	PIN, STEERING LOCK	1	
34	511946	SPRING, STEERING LOCK	1	
35	511344	BRACKET, FUSE WIRING HARNESS	1	FOR EPS
36	517951	ECU BRACKET	1	
37	517956	CVT BRACKET	1	
38	514410	CLAMP	1	
42	512072	PLUG	2	
46	511389	BRACKET	1	FOR EPS(BRUSH MOTOR)
47	512360	CUSHIONS FIXED PLATE(FRONT)	1	
48	519843	BRACKET	1	FOR ABS
49	519849	BRACKET	1	FOR ABS
50	S21008	BOLT M10X20	1	FOR ABS
51	S20004	BOLT,FLANGE M10X30	1	FOR ABS

Total : 46

205

REAR SUSPENSION

ETT-JJ



Item No.	Part No.	Description	Q'ty	Amend	Note
01	511475Y	ARM SET, UPPER, LH.(REAR)	1		
02	511476Y	ARM SET, UPPER, RH.(REAR)	1		
03	511471Y	ARM SET, LOWER, LH.(REAR)	1		
04	511472Y	ARM SET, LOWER, RH.(REAR)	1		
05	511447	SHOCK ABSORBER, REAR(EVO)	2		OPTION
05A	511447SY	SHOCK ABSORBER, REAR(EVO)(FLO. YELLOW)	2		OPTION
05B	511447CA	SHOCK ABSORBER, REAR(EVO)(CARMINE)	2		OPTION
05C	511447OF	SHOCK ABSORBER, REAR(EVO)(BRIGHT ORANGE)	2		OPTION
05D	511409KSY	SHOCK ABSORBER, REAR(NITROGEN TANK)(FLO. YELLOW)	2		OPTION
05E	511409KOF	SHOCK ABSORBER, REAR(NITROGEN TANK)(BRIGHT ORANGE)	2		OPTION
05F	511409KCA	SHOCK ABSORBER, REAR(NITROGEN TANK)(CARMINE)	2		OPTION
06	GA551NT01	NUT, SELFLOCK M10X10	18		
07	S20017	SH. FLANGE BOLT M10X60L	8		
08	S20039	BOLT, FLANGE M10X1.25X100L	2		
09	S07601	BOLT, FLANGE M6X16 (Dark Green)	4		OPTION
10	S21605	BOLT, FLANGE M6X10	4		
11	516371	PROTECTOR, COVER(LH.)	1		OPTION
12	516372	PROTECTOR, COVER(RH.)	1		OPTION
13	S20009	BOLT, HEX. HEAD M10X1.25X48L	4		
14	S20038	BOLT, FLANGE M10X1.25X123L	2		

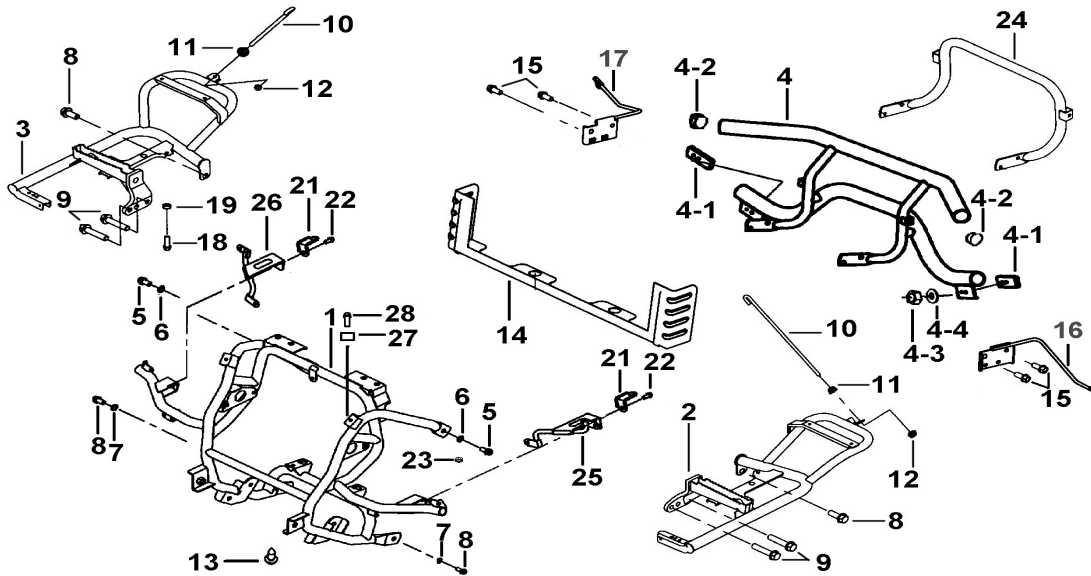
15	S21809	BOLT M8X1.25X18L	4	
16	511450Y	TORSION BAR	1	
17	511432	UNIVERSAL ROD RR, LH.	1	
18	511441	UNIVERSAL ROD RR, RH.	1	
19	511674	FIX BRACKET, TORSION BAR	2	
20	GA556WS04	SPRING WASHER 8X15X2.0	4	
21	513329	CLAMP (LH.)	2	
22	513330	CLAMP (RH.)	2	
23	W99010	WASHER ϕ 10.5X ϕ 22X3.5t	2	
24	511672	RUBBER	2	
25	511466	PROTECTOR, COVER(LH.)(AL)	1	OPTION
26	511467	PROTECTOR, COVER(RH.)(AL)	1	OPTION
27	GA555WS02	WASHER 6X16X1.5	4	OPTION
28	S20603	BOLT, FLANGE M6X12	4	OPTION
29	518739	CLAMP L200	1	
30	518712B	ARM SET MAINTENANCE PACKAGE (CONTAIN SPACER, O RING, BUSH)	8	OPTION

Total : 36

206

BUMPER BRACKET

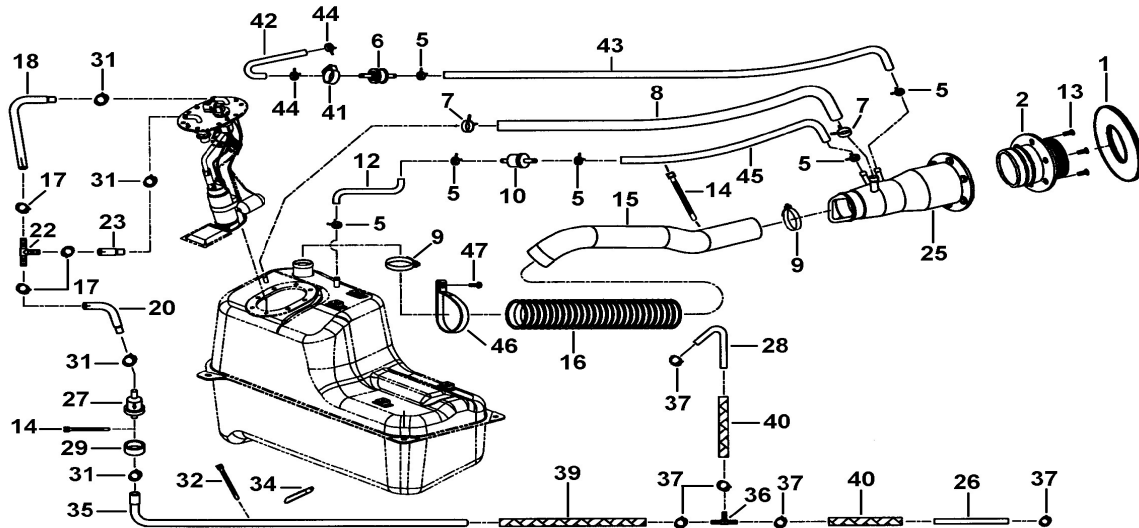
ETT-JJ



Item No.	Part No.	Description	Q'ty	Amend	Note
01	512098	BRACKET, VENTILATION BOARD	1		
02	512079	BRACKET, FOOT BOARD, LH.	1		
03	512080	BRACKET, FOOT BOARD, RH.	1		
03A	516818	BRACKET, FOOT BOARD, RH.	1		FOR ABS
04	518782SEA	REAR PROTECTION BUMPER(STEEL)(SEMI-GLOSS BLACK)	1		OPTION
04-1	458015	REFLECTOR ASSY., REAR	2		
04-2	515118	PLUG	4		
04-3	N20502	NUT, SELFLOCK	2		
04-4	GA552WS05	WASHER 5.2X10X0.8	2		
04A	518782BCA	REAR PROTECTION BUMPER(STEEL)(BRIGHT BLACK)	1		OPTION
04B	518782NBA	REAR PROTECTION BUMPER(STEEL)(INDIGO BLUE)	1		OPTION
04C	518782OFA	REAR PROTECTION BUMPER(STEEL)(BRIGHT ORANGE)	1		OPTION
04D	518782SYA	REAR PROTECTION BUMPER(STEEL)(FLO. YELLOW)	1		OPTION
04E	518782TUA	REAR PROTECTION BUMPER(STEEL)(TURQUOISE)	1		OPTION
04F	518782CAA	REAR PROTECTION BUMPER(STEEL)(CARMINE)	1		OPTION
05	S20814	BOLT, FLANGE M8X1.25X20L	2		
06	GA556WS04	SPRING WASHER 8X15X2.0	2		
07	GA556WS06	WASHER, SPRING 10X18X2.5	2		
08	S21008	BOLT M10X20	4		
09	S20004	BOLT, FLANGE M10X30	4		

10	516096	SUPPORTING ROD	2	
11	N02601	NUT M6	2	
12	N10604	NUT, SELFLOCK M6	2	
13	S20617	BOLT, FLANGE M6X25	2	
14	517980	PROTECTOR,RADIATOR	1	
15	S20814	BOLT, FLANGE M8X1.25X20L	4	
16	516809	BRACKET, BUMPER REAR LH.	1	
17	516810	BRACKET, BUMPER REAR RH.	1	
18	S99004	BOLT M10X1.25X50L	1	
19	GA501NT01	NUT, FLANGE M10	1	
21	512095	BRACKET, HEAD LAMP	2	
22	S20802	BOLT, FLANGE M8X30L	2	
23	516817	WASHER, RUBBER	2	
24	518755SE	HAND HOLD, REAR(SEMI-GLOSS BLACK)	1	OPTION
24A	518755BC	HAND HOLD, REAR(BRIGHT BLACK)	1	OPTION
24B	518755NB	HAND HOLD, REAR(INDIGO BLUE)	1	OPTION
24C	518755OF	HAND HOLD, REAR(BRIGHT ORANGE)	1	OPTION
24D	518755SY	HAND HOLD, REAR(FLO. YELLOW)	1	OPTION
24E	518755TU	HAND HOLD, REAR(TURQUOISE)	1	OPTION
24F	518755CA	HAND HOLD, REAR(CARMINE)	1	OPTION
25	512031	BRACKET LH.	1	
26	512032	BRACKET RH.	1	
27	514551	CUSHION	2	
28	S25602	BOLT M6X16L	2	

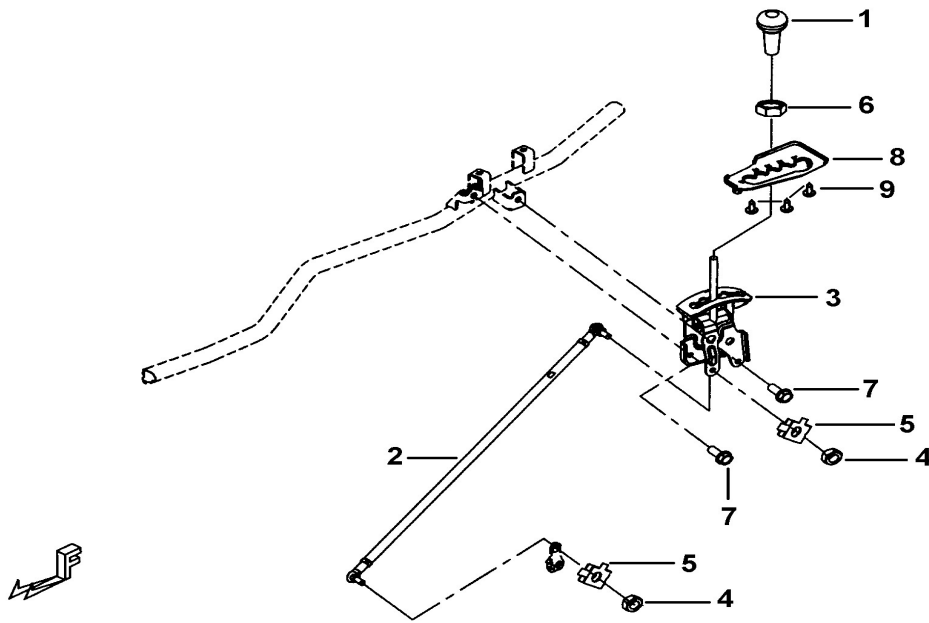
Total : 44



Item No.	Part No.	Description	Q'ty	Amend	Note
01	518177	ORNAMENTAL	1		
02	518953	FILLER MOUTH	1		
05	R40001	CLIP ($\phi 10 \times 0.6 \times 8$)	6		
06	516111	VALVE	1		
07	R40601	CLIP	2		
08	518156	HOSE VENT	1		
09	R65301	CLIP	2		
10	518146	OBSERVE CUP	1		
12	518147	HOSE(D)	1		
13	S96505B	BOLT	6		
14	518740	CLAMP L300	3		
15	518948	FILLER HOSE	1		
16	518949	FUEL HOSE PROTECTOR	1		
17	R60205	CLIP $\phi 13.5$	3		
18	516149	HOSE, FUEL M	1		
20	516121	HOSE, FUEL J	1		
22	518135R	THREE WAY TUBE UNIT (A)	1		
23	516150	HOSE, FUEL N	1		
25	518946	FILLER TUBE ASSY.	1		
26	518141	HOSE, FUEL(K)	1		
27	926706Y	FUEL FILTER	1		
28	518125	HOSE, FUEL(H)	1		
29	926119	RUBBER SLEEVE	1		
31	R60206	CLIP $\phi 12$	4		
32	518739	CLAMP L200	1		
34	927858	CLAMP	1		
35	518124	HOSE, FUEL(G)	1		
36	518136R	THREE WAY TUBE UNIT (B)	1		

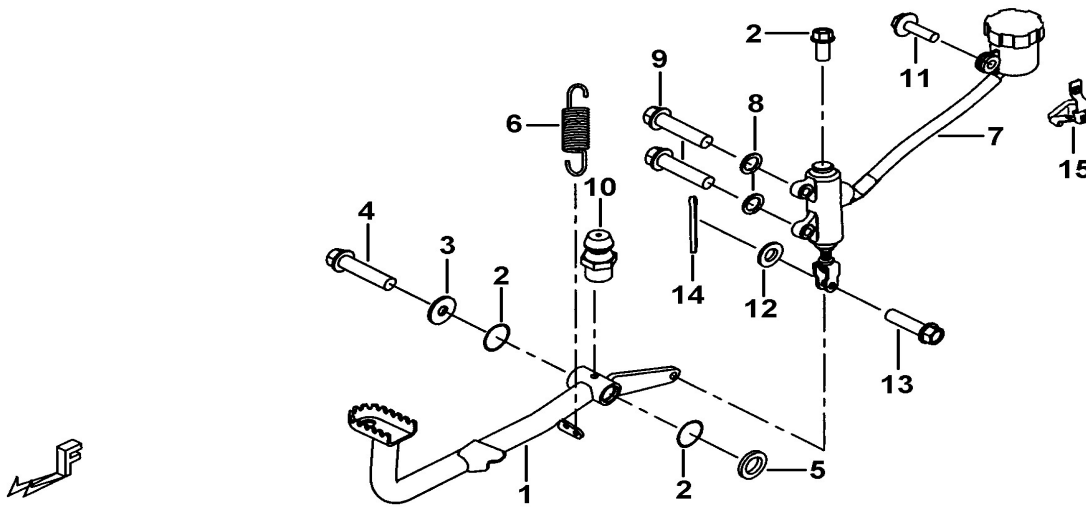
37	R60204	CLIP ϕ 11	5
39	518907	PROTECTION TUBE (A)	1
40	518908	PROTECTION TUBE (B)	2
41	516114	BUSH, RUBBER	1
42	516113	HOSE, VENT	1
43	512151	HOSE, VENT (R)	1
44	R40002	CLIP	2
45	518126	HOSE VENT (A)	1
46	518950	BRACKET	1
47	S21605	BOLT, FLANGE M6X10	1

Total : 38



Item No.	Part No.	Description	Q'ty	Amend	Note
01	514230	HOLDER	1		
02	514232	CONNECTING ROD, SHIFT LEVER	1		
03	514228	PULL ROD ASSY., SHIFT LEVER	1		
04	N01802	NUT	2		
05	W40801	WASHER, SELFLOCK	2		
06	GA551NT04	NUT, HEX. HEAD M8	1		
07	S21809	BOLT M8X1.25X18L	2		
08	512579	GEAR CHANGE INDICATOR	1		
09	S50501	SCREW, OVAL HEAD M5X12L	3		

Total : 9



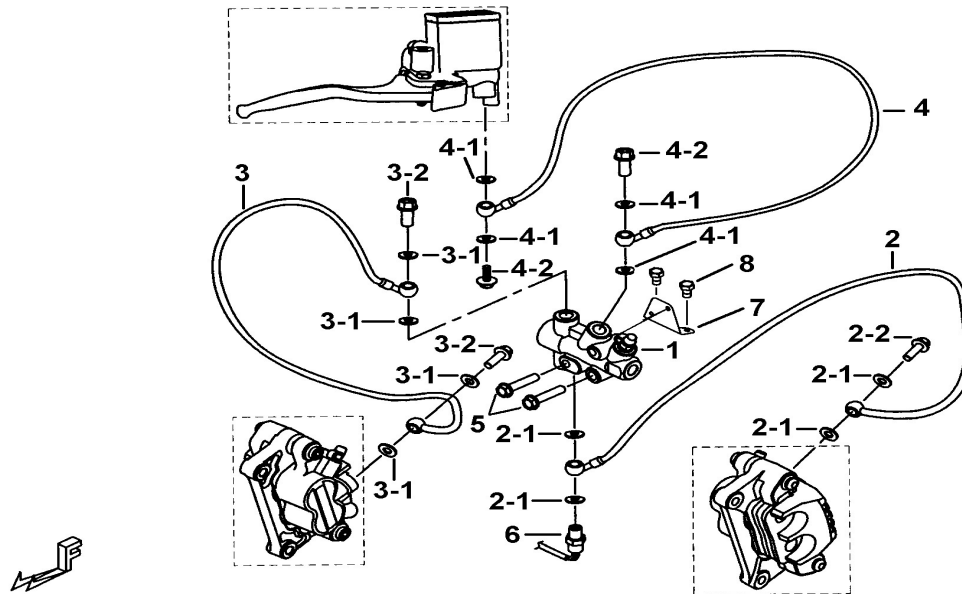
Item No.	Part No.	Description	Q'ty	Amend	Note
01	514144	PEDAL BRAKE LEVER	1		
02	514103	O RING	2		
03	W99824	WASHER 8.5	1		
04	S20817	BOLT, FLANGE M8X16	1		
05	W99702	WASHER	1		
06	514136	SPRING	1		
07	514145	MASTER CYLINDER ASSY., PEDAL	1		
07A	514156YA	MASTER CYLINDER ASSY., PEDAL	1		FOR ABS
08	GA556WS04	SPRING WASHER 8X15X2.0	2		
09	S20802	BOLT, FLANGE M8X30L	2		
10	S96604	GREASE NIPPLE	1		
11	S20611	BOLT, HEX HEAD M6X20	2		
12	W99810	WASHER	1		
13	P31701	PIN	1		
14	P10102	PIN 1.5X20	1		
15	511351	BRACKET, PEDAL BRAKE RESERVIOR	1		

Total : 16

210

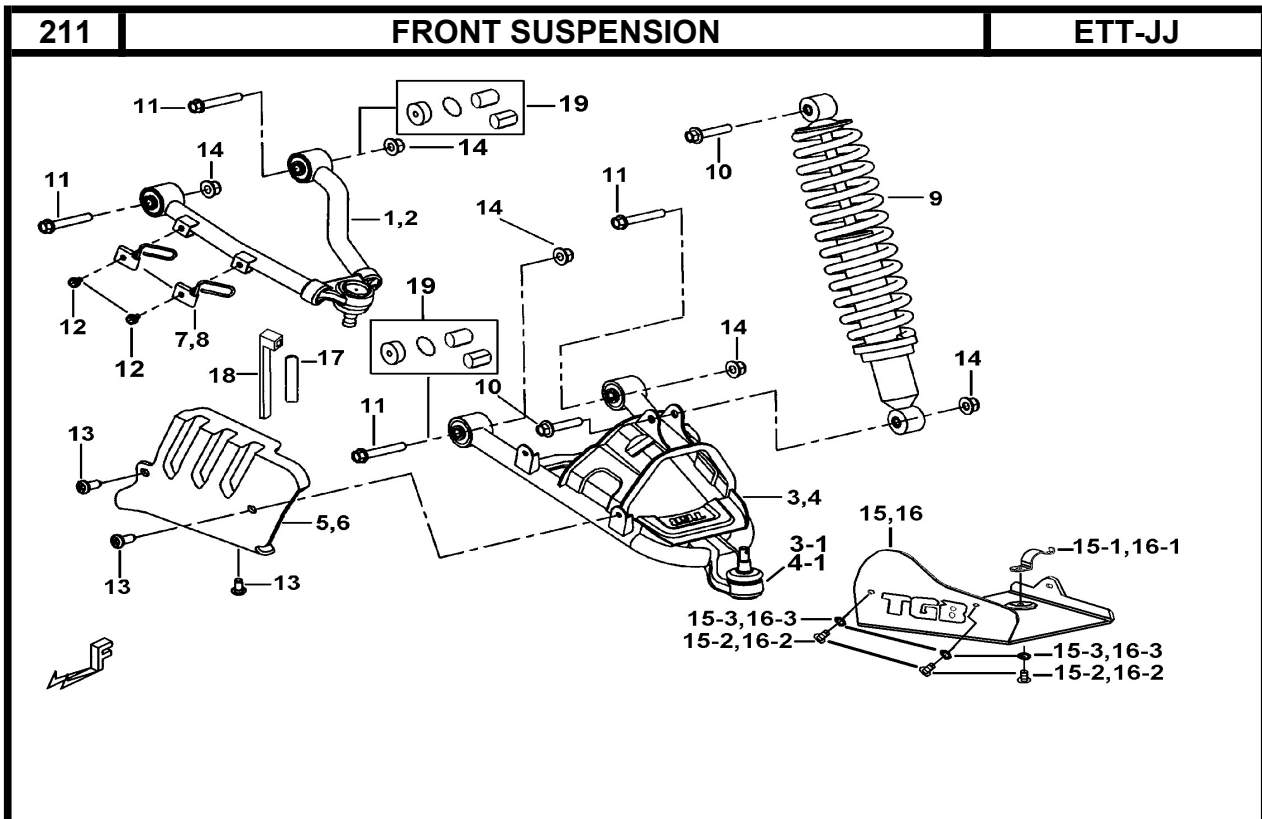
FRONT DISTRIBUTOR

ETT-JJ



Item No.	Part No.	Description	Q'ty	Amend	Note
01	513530	FRONT DISTRIBUTOR	1		
02	513598A	HOSE ASSY., BRAKE	1		FOR 14 "
02-1	GA559WS04	WASHER 10X15X1.2	4		
02-2	S21001	BANJO BOLT M10X1.25X22L	1		
02A	511205A	HOSE, BRAKE	1		FOR 12"
03	513599A	HOSE ASSY., BRAKE	1		FOR 14 "
03-1	GA559WS04	WASHER 10X15X1.2	4		
03-2	S21001	BANJO BOLT M10X1.25X22L	2		
03A	511205A	HOSE, BRAKE	1		FOR 12"
04	511243YA	HOSE ASSY., BRAKE	1		
04-1	GA559WS04	WASHER 10X15X1.2	4		
04-2	S21001	BANJO BOLT M10X1.25X22L	2		
05	S24610	BOLT, FLANGE M6X40	2		
06	514365	OIL BRAKE SWITCH(450L)	1		
07	513522	BRACKET	1		FOR W/O EPS
08	GA557SC15	BOLT, HEX. HEAD M6X10	2		FOR W/O EPS

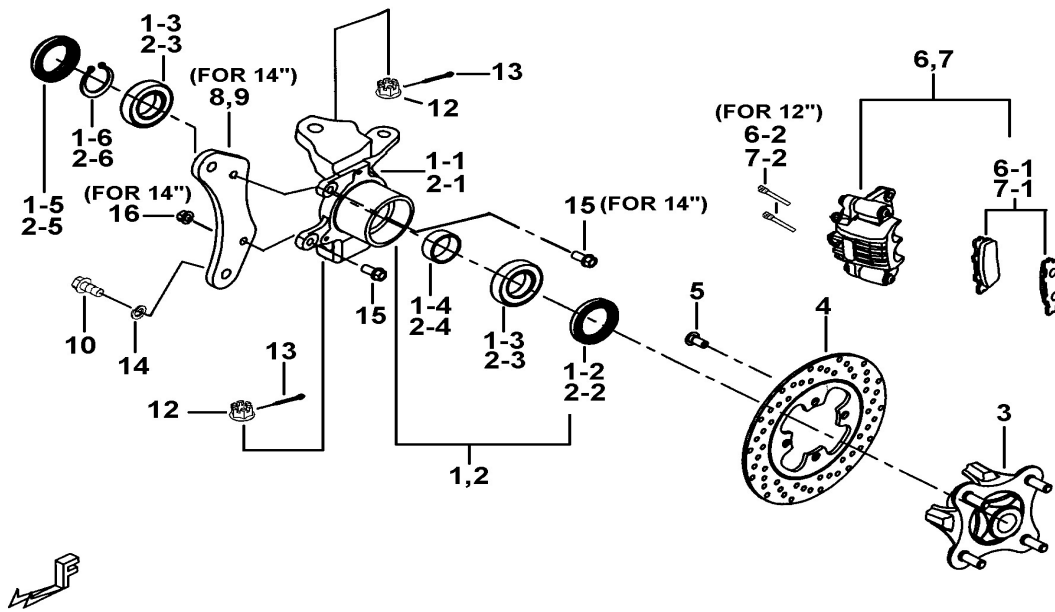
Total : 16



Item No.	Part No.	Description	Q'ty	Amend	Note
01	511137Y	ARM SET, UPPER, LH. (FRONT)	1		
02	511138Y	ARM SET, UPPER, RH. (FRONT)	1		
03	511139Y	ARM SET, LOWER, LH.(FRONT)	1		
03-1	511153	BALL JOINT	1		
04	511140Y	ARM SET, LOWER, RH.(FRONT)	1		
04-1	511153	BALL JOINT	1		
05	516306	PROTECTOR, COVER(LH.)	1		
06	516307	PROTECTOR, COVER(RH.)	1		
07	513329	CLAMP (LH.)	2		
08	513330	CLAMP (RH.)	2		
09	511163	SHOCK ABSORBER ASSY., FRONT(EVO)	2		OPTION
09A	511163SY	SHOCK ABSORBER ASSY., FRONT(EVO)(FLO. YELLOW)	2		OPTION
09B	511163CA	SHOCK ABSORBER ASSY., FRONT(EVO)(CARMINE)	2		OPTION
09C	511163OF	SHOCK ABSORBER ASSY., FRONT(EVO)(BRIGHT ORANGE)	2		OPTION
09D	516369KSY	SHOCK ABSORBER ASSY., FRONT(NITROGEN TANK)(FLO. YELLOW)	2		OPTION
09E	516369KOF	SHOCK ABSORBER ASSY., FRONT(NITROGEN TANK)(BRIGHT ORANGE)	2		OPTION
09F	516369KCA	SHOCK ABSORBER ASSY., FRONT(NITROGEN TANK)(CARMINE)	2		OPTION
10	S20009	BOLT, HEX. HEAD M10X1.25X48L	4		
11	S20017	SH. FLANGE BOLT M10X60L	8		

12	S21605	BOLT, FLANGE M6X10	4	
13	S07601	BOLT, FLANGE M6X16 (Dark Green)	6	
14	GA551NT01	NUT, SELFLOCK M10X10	10	
15	511405B	COVER COMP., ORNAMENTAL(LH)(AL)	1	OPTION
15-1	513363	ANCHOR PLATE	1	OPTION
15-2	S21604	BOLT, FLANGE M6X1.0X20L	3	OPTION
15-3	GA555WS02	WASHER 6X16X1.5	3	OPTION
16	511406B	COVER COMP., ORNAMENTAL(RH)(AL)	1	OPTION
16-1	513363	ANCHOR PLATE	1	OPTION
16-2	S21604	BOLT, FLANGE M6X1.0X20L	3	OPTION
16-3	GA555WS02	WASHER 6X16X1.5	3	OPTION
17	516519	HOSE(90mm)	2	
18	518739	CLAMP L200	2	
19	518712B	ARM SET MAINTENANCE PACKAGE (CONTAIN SPACER, O RING, BUSH)	8	OPTION

Total : 33



Item No.	Part No.	Description	Q'ty	Amend	Note
01	511115A	KNUCKLE, STEERING, LH. ASSY.	1		
01-1	511115Y	KNUCKLE, STEERING, LH.	1		
01-2	512862K	OIL SEAL (OUTSIDE)	1		
01-3	925001	BEARING	2		
01-4	517820	SPACER	1		
01-5	512860K	OIL SEAL(INSIDE)	1		
01-6	R01601	" C " CLIP	1		
02	511116A	KNUCKLE, STEERING, RH. ASSY.	1		
02-1	511116Y	KNUCKLE, STEERING, RH.	1		
02-2	512862K	OIL SEAL (OUTSIDE)	1		
02-3	925001	BEARING	2		
02-4	517820	SPACER	1		
02-5	512860K	OIL SEAL(INSIDE)	1		
02-6	R01601	" C " CLIP	1		
03	518604Y	HUB, FRONT WHEEL	2		
04	513480Y	DISC, BRAKE 230mm	2		FOR 14 "
04A	513484Y	DISC, BRAKE 200mm(5mm)	2		FOR 12 "
05	S72001	SCREW, SOCKET M10X20L	8		
06	511209	CALIPER ASSY., FRONT, LH	1		FOR 14 "
06-1	511231	PAD ASSY.	1		FOR 14 "
06-1B	515402	PAD	1		FOR 12 "
06-2B	515172	PIN	2		FOR 12 "
06A	511209AR	CALIPER ASSY., FRONT, LH(RED)	1		FOR 14 "
06B	511207	CALIPER ASSY., FRONT, LH.	1		FOR 12 "
07	511201	CALIPER ASSY., FRONT, RH	1		FOR 14 "
07-1	511231	PAD ASSY.	1		FOR 14 "
07-1B	515402	PAD	1		FOR 12 "
07-2B	515172	PIN	2		FOR 12 "

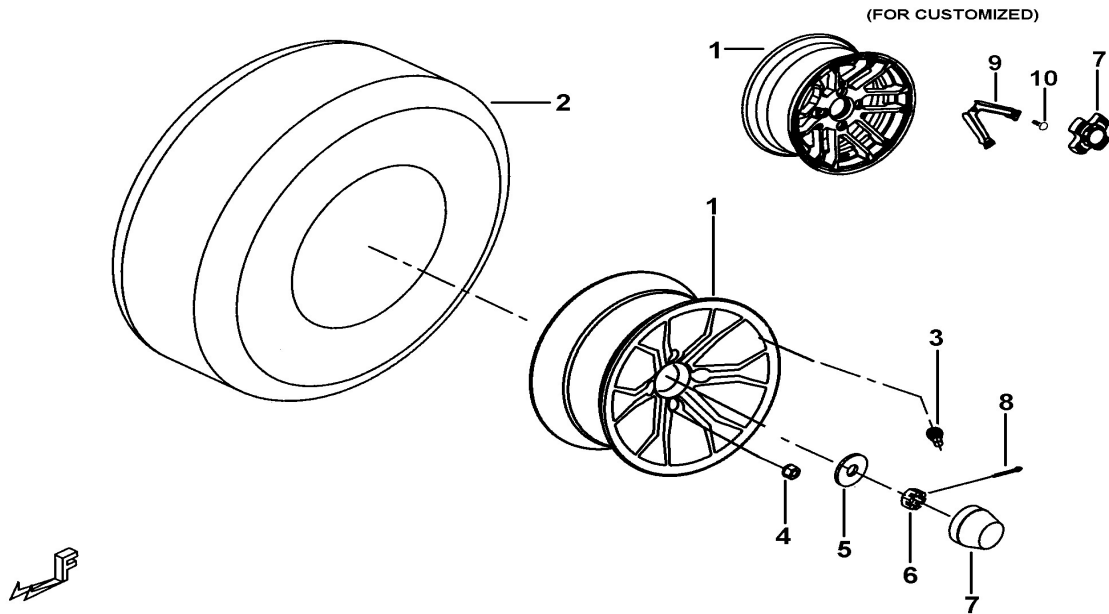
07A	511201AR	CALIPER ASSY., FRONT, RH(RE D)	1	FOR 14 "
07B	511208	CALIPER ASSY., FRONT, RH.	1	FOR 12 "
08	511202	BRACKET,CALIPER,LH	1	FOR 14 "
09	511203	BRACKET,CALIPER,RH	1	FOR 14 "
10	S21809	BOLT M8X1.25X18L	4	
12	N13203	NUT	4	
13	GA551PN04	PIN, COTTER ϕ 2.5	4	
14	GA556WS04	SPRING WASHER 8X15X2.0	4	
15	S99812	BOLT, HEX. HEAD	4	FOR 14 "
16	GA551NT04	NUT, HEX. HEAD M8	4	FOR 14"

Total : 38

213

FRONT WHEEL

ETT-JJ



Item No.	Part No.	Description	Q'ty	Amend	Note
01	518614Y	RIM COMP, FRONT 14X7.0 " (AL)(POLISHED)	2		OPTION
01A	518619Y	RIM COMP, FRONT 14X7.0 " (AL)(POLISHED)(CUSTOMIZED)	2		OPTION
02	518622	TIRE AT 26X9R 14"	2		OPTION
02A	518606	TIRE AT 26X9R 14"	2		OPTION
03	512906	INLET COMP., AIR	2		
04	N05003	NUT	8		
05	W99830	WASHER	2		
06	N11801	NUT	2		
07	512996	RUBBER CAP	2		OPTION
07A	518609Y	CAP(CHROMIUM PLATED)	2		OPTION
07B	518620Y	CAP(CUSTOMIZED)	2		OPTION
08	P10204	PIN	2		
09	518621OF	RIM DECAL(BRIGHT ORANGE)(CUSTOMIZED)	6		OPTION
09A	518621SY	RIM DECAL(FLO. YELLOW)(CUSTOMIZED)	6		OPTION
10	S72613	BOLT, HEX. HEAD M6X12	18		

Total : 15

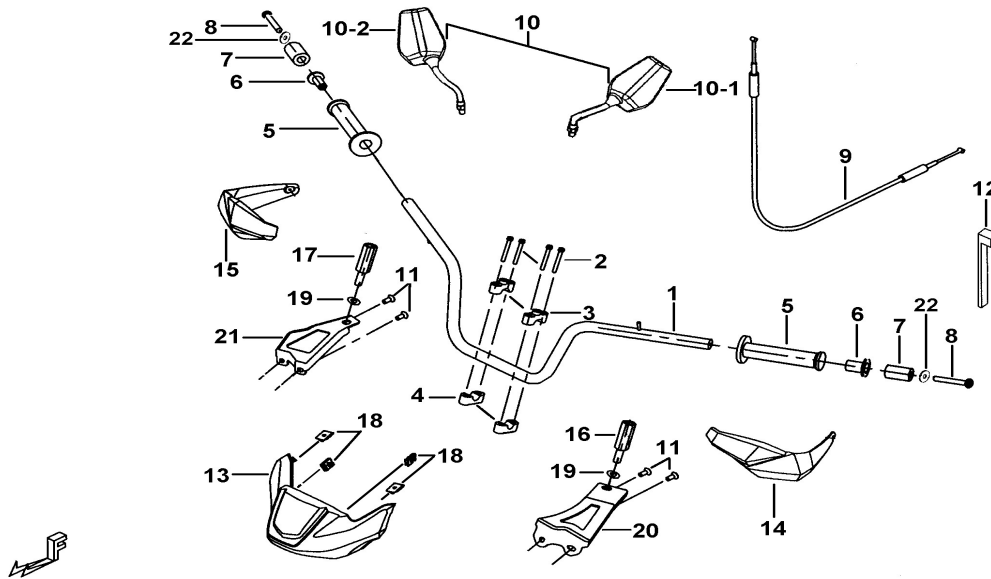
214	STEERING SHAFT(FOR W/EPS)		ETT-JJ			
Item No.	Part No.	Description	Q'ty	Amend	Note	
01	512762Y	STEERING SHAFT	1			
02	512725	BUSH SLEEVE, STEERING SHAFT	1			
03	512724	BRACKET, STEERING SHAFT	2			
04	512754	SPACER	2			
05	S21814	BOLT M8X1.25X75L	2			
06	S20824	BOLT M8X25L	1			
07	R65301	CLIP	1		FOR EPS (BRUSH MOTOR)	
08	512771	DUST COVER	1		FOR EPS (BRUSH MOTOR)	
09	518740	CLAMP L300	1			
10	R00206	"C" CLIP	1			
11	N50501	NUT, SLOTTED	1			
12	512746	DUST CAP	1			
13	W99225	WASHER 4t	1			
14	R01902	" C " CLIP	1			
15	513350	BEARING	2			
16	512747	BASE, BEARING.	1			
17	512750	DUST SEAL	1			
18	512764Y	ARM PLATE, STEERING LOWER	1			
19	512745	STEERING TIE-ROD ASSY.	2			
19-1	515292	LINK PIPE	1			
19-2	516040	BALL JOINT (1)	1			
19-3	516039	BALL JOINT (2)	1			
20	GA501NT01	NUT, FLANGE M10	4			
21	W99101	WASHER 3t	4			
22	GA551PN04	PIN, COTTER ϕ 2.5	4			
23	S21809	BOLT M8X1.25X18L	3			

Total : 26

215

HANDLE BAR

ETT-JJ



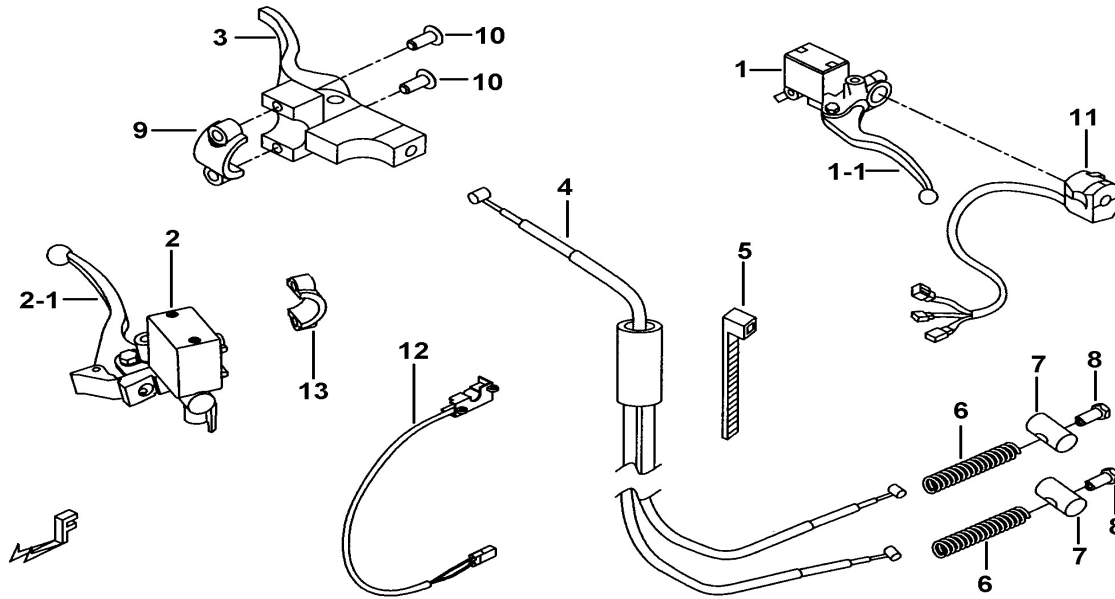
Item No.	Part No.	Description	Q'ty	Amend	Note
01	519003	HANDLE BAR ASSY.	1		
02	S21811	BOLT, FLANGE M8X1.25X90L	4		
03	513030	HANDLE BAR BRACKET, UPPER	2		
04	513031	HANDLE BAR BRACKET, LOWER	2		
05	513074	GRIP	2		
06	513085	COLLAR	2		
07	413085	END, GRIP	2		
08	S72610	SCREW, SOCKET	2		
09	513099	CABLE, THROTTLE	1		
10	519011	MIRROR ASSY., REAR VIEW	1		
10-1	519012	MIRROR, REAR VIEW, LH.	1		
10-2	519013	MIRROR, REAR VIEW, RH.	1		
11	S57501	SCREW, OVAL HEAD, FLANGE M5X16	4		
12	518739	CLAMP L200	4		
13	514544	COVER, SPEEDOMETER	1		
14	514545	HAND GUARDS, LH.	1		
15	514546	HAND GUARDS, RH.	1		
16	513049	SPACER, LH.	1		
17	513048	SPACER, RH.	1		
18	GA552NT01	NUT, SPRING M4	4		
19	W99831	WASHER $\phi 8.4 \times 15.5 \times 1.2t$	2		
20	519020	BRACKET, HAND GUARDS LH.	1		
21	519021	BRACKET, HAND GUARDS RH.	1		
22	W99605	WASHER M6	2		

Total : 24

216

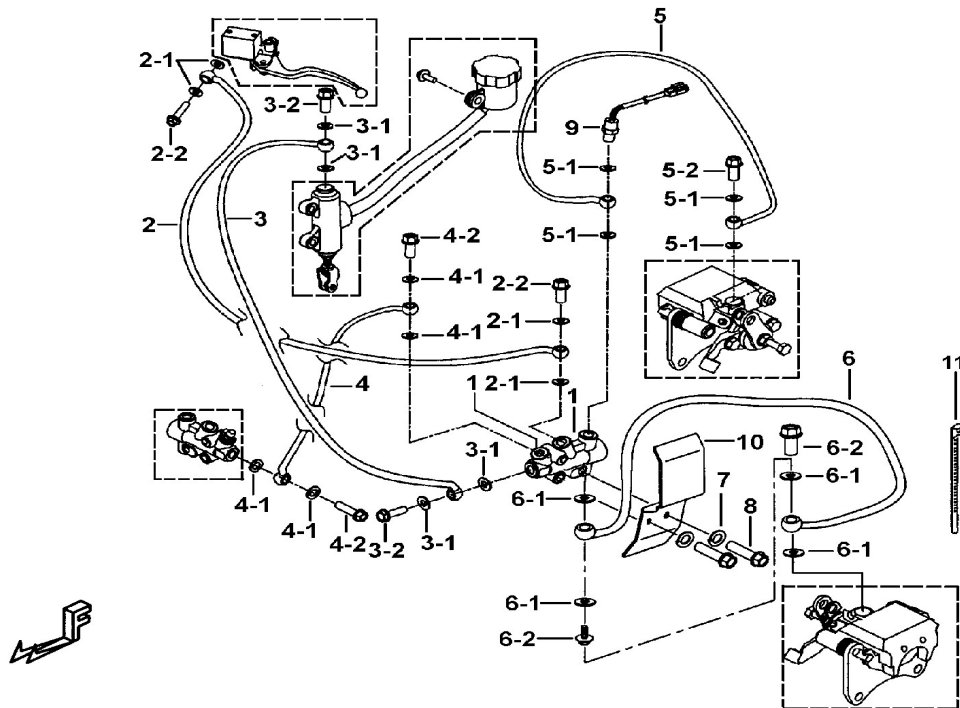
MASTER CYLINDER ASSY.

ETT-JJ



Item No.	Part No.	Description	Q'ty	Amend	Note
01	511005	MASTER CYLINDER ASSY., LH.	1		
01-1	515046	LEVER	1		
01-1A	511017	LEVER	1		FOR ABS
01A	511042	MASTER CYLINDER ASSY., LH.	1		FOR ABS
02	511217	MASTER CYLINDER ASSY., RH.	1		
02-1	515061	LEVER	1		
02-1A	511017	LEVER	1		FOR ABS
02A	511067	MASTER CYLINDER ASSY., RH.	1		FOR ABS
03	513568	PARKING BRAKE ASSY.	1		
04	516520	CABLE, PARKING BRAKE	1		
05	518739	CLAMP L200	1		
06	516515	SPRING	2		
07	513536	PIN	2		
08	GI530NT01	NUT, ADJUSTING M6X16	2		
09	513558	HOLDER COMP.	1		
10	S70610	SCREW, SOCKET HEAD M6x25	2		
11	926774	SWITCH ASSY., LH	1		
12	513220	" OVERRIDE " SWITCH	1		
13	513542	HOLDER	1		

Total : 19



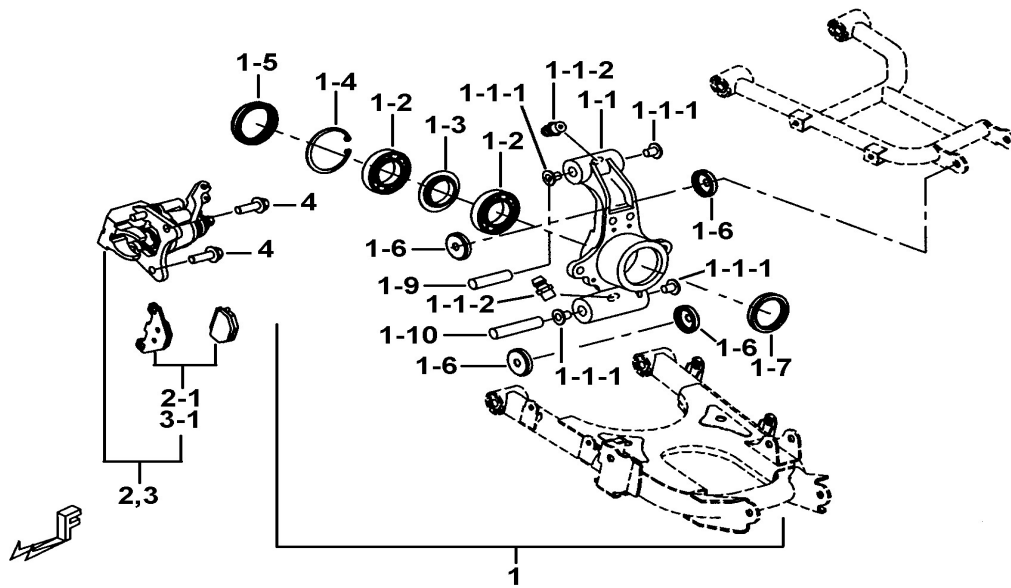
Item No.	Part No.	Description	Q'ty	Amend	Note
01	513532	REAR DISTRIBUTOR	1		
02	511000YA	HOSE ASSY., BRAKE	1		
02-1	GA559WS04	WASHER 10X15X1.2	4		
02-2	S21001	BANJO BOLT M10X1.25X22L	2		
03	514399YA	HOSE ASSY., BRAKE	1		
03-1	GA559WS04	WASHER 10X15X1.2	4		
03-2	S21001	BANJO BOLT M10X1.25X22L	2		
04	511001YA	HOSE ASSY., BRAKE	1		
04-1	GA559WS04	WASHER 10X15X1.2	4		
04-2	S21001	BANJO BOLT M10X1.25X22L	2		
05	514397A	HOSE ASSY., BRAKE	1		
05-1	GA559WS04	WASHER 10X15X1.2	4		
05-2	S21001	BANJO BOLT M10X1.25X22L	1		
06	514398A	HOSE ASSY., BRAKE	1		
06-1	GA559WS04	WASHER 10X15X1.2	4		
06-2	S21001	BANJO BOLT M10X1.25X22L	2		
07	W10601	SPRING WASHER 6.2X11.5X1 t	2		
08	S24610	BOLT, FLANGE M6X40	2		
09	514365	OIL BRAKE SWITCH(450L)	1		
10	511018	PROTECTOR	1		
11	518739	CLAMP L200	2		

Total : 21

218

REAR AXLE

ETT-JJ

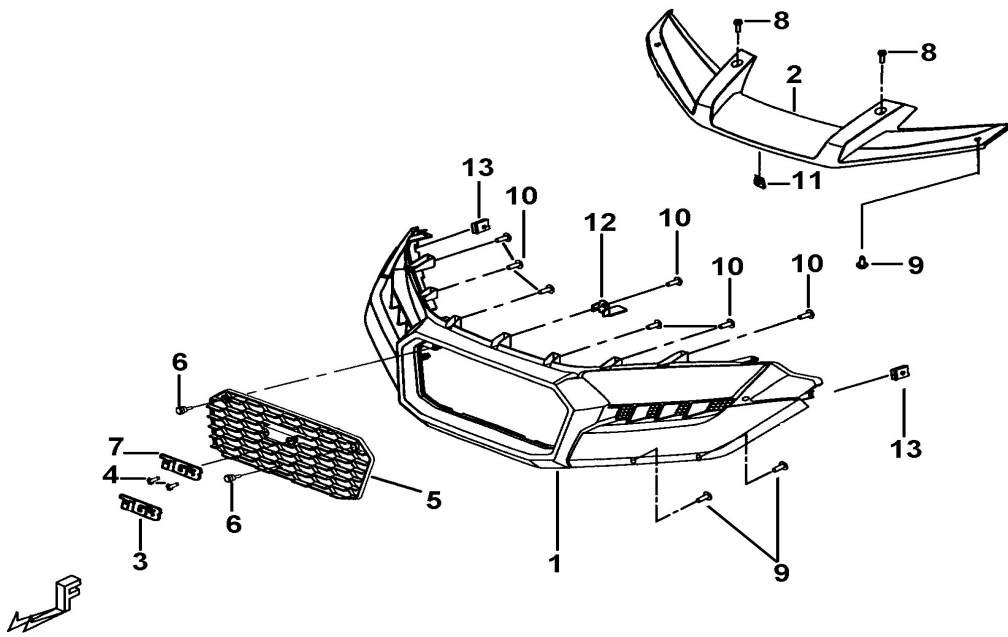


Item No.	Part No.	Description	Q'ty	Amend	Note
01	517802Y-YA	HOUSING, REAR AXLE ASSY.	2		
01-1	517802Y	HOUSING, REAR AXLE	1		
01-1-1	517806	BUSH	4		
01-1-2	S96604	GREASE NIPPLE	2		
01-10	517805	MANDREL B	1		
01-2	925001	BEARING	2		
01-3	517820	SPACER	1		
01-4	R01601	" C " CLIP	1		
01-5	512860K	OIL SEAL(INSIDE)	1		
01-6	512713	GREASE CONTAIN SEAT 15.5	4		
01-7	512862K	OIL SEAL (OUTSIDE)	1		
01-9	517804	MANDREL A	1		
02	511008	CALIPER, REAR (LH)	1		FOR 14 "
02-1	515050	PAD	1		
02A	511008AR	CALIPER, REAR (LH)(RED)	1		FOR 14 "
02B	517811	CALIPER, REAR (LH)	1		FOR 12 "
03	511007	CALIPER, REAR (RH)	1		FOR 14 "
03-1	515050	PAD	1		
03A	511007AR	CALIPER, REAR (RH)(RED)	1		FOR 14 "
03B	517812	CALIPER, REAR (RH)	1		FOR 12 "
04	S20004	BOLT,FLANGE M10X30	4		

Total : 21

219	REAR WHEEL			ETT-JJ	
<p>(FOR CUSTOMIZED)</p>					
Item No.	Part No.	Description	Q'ty	Amend	Note
01	513499Y	RIM COMP, REAR 14X8.0 " (AL)(POLISHED)	2		OPTION
01A	514807Y	RIM COMP, REAR 14X8.0 " (AL)(POLISHED)(CUSTOMIZED)	2		OPTION
02	514808	TIRE AT 26X11R 14"	2		OPTION
02A	513492	TIRE AT 26X11R 14"	2		OPTION
03	513487Y	HUB, REAR WHEEL	2		
04	512906	INLET COMP., AIR	2		
05	N05003	NUT	8		
06	W99830	WASHER	2		
07	N11801	NUT	2		
08	512996	RUBBER CAP	2		OPTION
08A	518609Y	CAP(CHROMIUM PLATED)	2		OPTION
08B	518620Y	CAP(CUSTOMIZED)	2		OPTION
09	P10204	PIN	2		
10	513481Y	DISC,BRAKE 210 mm	2		FOR 14 "
10A	513483Y	DISC,BRAKE 190 mm	2		FOR 12"
11	S72001	SCREW, SOCKET M10X20L	8		
12	518621OF	RIM DECAL(BRIGHT ORANGE)(CUSTOMIZED)	6		OPTION
12A	518621SY	RIM DECAL(FLO. YELLOW)(CUSTOMIZED)	6		OPTION
13	S72613	BOLT, HEX. HEAD M6X12	18		

Total : 19



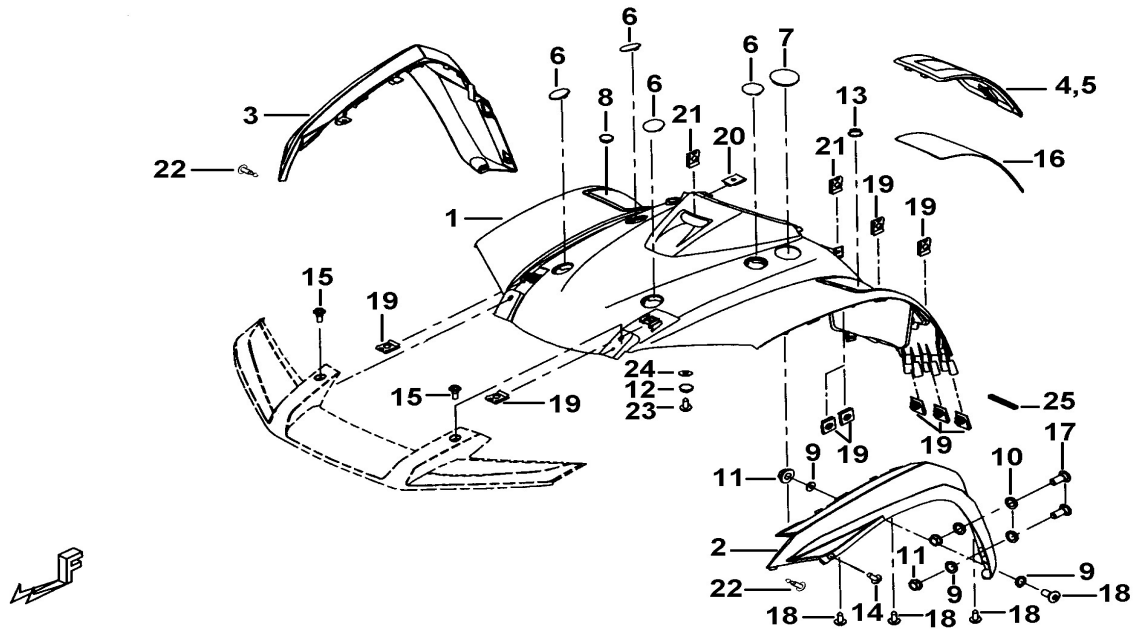
Item No.	Part No.	Description	Q'ty	Amend	Note
01	514541	FRONT BUMPER	1		
02	514529	FRONT BUMPER ORNAMENTAL	1		
03	517224	LABEL(AL)	1		
04	GA552SC11	SCREW, TAPPING M4X16	2		
05	514542	FRONT AIR INLET PLATE	1		
06	S96501	BOLT, BATTERY BOX	2		
07	514543	LOGO BASE	1		
08	S25602	BOLT M6X16L	2		
09	S57501	SCREW, OVAL HEAD, FLANGE M5X16	6		
10	S41502	BOLT M5X16	7		
11	N32501	NUT, SPRING M5	7		
12	512052	BRACKET	1		
13	GA552NT01	NUT, SPRING M4	2		

Total : 13

221

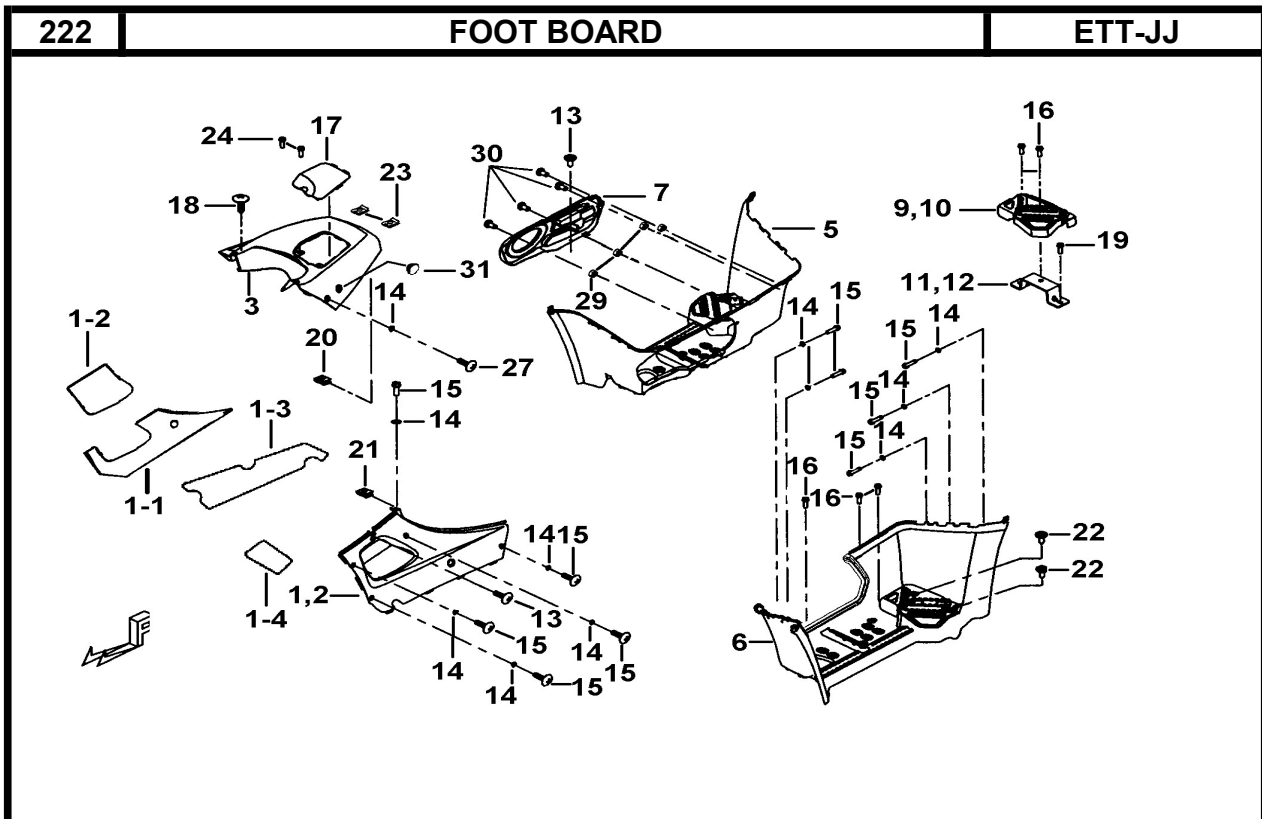
FRONT BODY COVER.

ETT-JJ



Item No.	Part No.	Description	Q'ty	Amend	Note
01	512465	FRONT BODY COVER	1		
02	512498-M2	FRONT FENDER SIDE RAIL, LH.(BROACH)	1		
03	512499-M2	FRONT FENDER SIDE RAIL, RH.(BROACH)	1		
04	512421	GLOVE COMPARTMENT, LH	1		
05	512422	GLOVE COMPARTMENT, RH	1		
06	512425	CARRIER COVER	4		OPTION
07	512497	PLUG	1		OPTION
07A	512424	RESERVOIR COVER	1		OPTION
08	512434	RUBBER PLUG	2		OPTION
09	W99605	WASHER M6	6		
10	GA555WS02	WASHER 6X16X1.5	6		
11	N10603	NUT, SPRING M6	6		
12	514550	CUSHION	2		
13	512407	RUBBER PLUG	2		
14	GA552SC11	SCREW, TAPPING M4X16	2		
15	S25602	BOLT M6X16L	2		
16	512423	BAND, WATERPROOF	2		
17	S72605	BOLT, HEX HEAD M6X16 (Silver White)	10		
18	GA552SC11	SCREW, TAPPING M4X16	6		
19	N32601	NUT, SPRING	16		
20	GA552NT01	NUT, SPRING M4	2		
21	N32604	NUT, SPRING	2		
22	512486	FASTENER	2		
23	S57501	SCREW, OVAL HEAD, FLANGE M5X16	2		
24	W99635	WASHER	2		
25	512436	BAND, WATERPROOF	2		

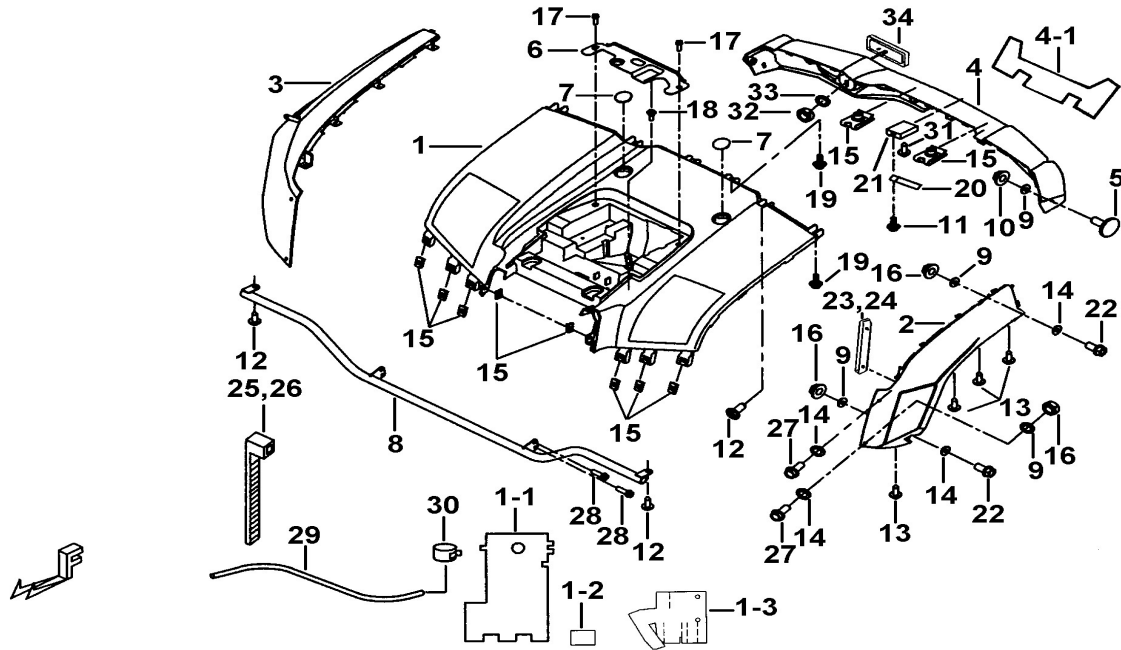
Total : 26



Item No.	Part No.	Description	Q'ty	Amend	Note
01	511504F	SIDE COVER, LH.	1		
01-1	511501R	HEAT INSULATION	1		
01-2	518010R	HEAT INSULATION	1		
01-3	511502R	HEAT INSULATION(1)	1		
01-4	511503R	HEAT INSULATION(2)	1		
02	511505	SIDE COVER COMP., RH.	1		
03	512591	TOP COVER	1		OPTION
03A	512591BL	TOP COVER(BLACK)	1		OPTION
05	511506B	FOOT BOARD, RH.(BROACH)	1		
06	512548H-A	FOOT BOARD ASSY., LH.	1		
07	512580	COVER, OIL LEVEL CHECKING	1		
09	512558A	PASSENGER FOOT REST COMP.(LH)	1		OPTION
10	512559A	PASSENGER FOOT REST COMP.(RH)	1		OPTION
11	512560	FOOT REST ADAPTER (LH)	1		OPTION
12	512561	FOOT REST ADAPTER (RH)	1		OPTION
13	S50406	SCREW, TAPPING M4X16	2		
14	GA555WS02	WASHER 6X16X1.5	22		
15	S72605	BOLT, HEX HEAD M6X16 (Silver White)	20		
16	S25602	BOLT M6X16L	10		
17	512592	AIR FILTER ACCESS COVER	1		OPTION
17A	512592BL	AIR FILTER ACCESS COVER(BLACK)	1		OPTION
18	S50509	SCREW, TAPPING M5X16	2		
19	S07601	BOLT, FLANGE M6X16 (Dark Green)	4		OPTION
20	GA552NT01	NUT, SPRING M4	2		
21	N32601	NUT, SPRING	2		
22	GA555SC02	SCREW, AN HEAD M6X11	4		
23	GA552NT01	NUT, SPRING M4	2		

24	S50406	SCREW, TAPPING M4X16	2
27	S72601	BOLT, HEX HEAD M6X20	2
29	GA556WS02	WASHER 6X16X4	4
30	512486	FASTENER	4
31	512599	RUBBER PLUG	1

Total : 32



Item No.	Part No.	Description	Q'ty	Amend	Note
01	514498MB	REAR BODY COVER COMP.	1		
01-1	518011R	HEAT INSULATION	1		
01-2	512094R	HEAT INSULATION	1		
01-3	512092R	HEAT INSULATION	1		
02	514493	REAR FENDER SIDE RAIL, LH.	1		
03	514494	REAR FENDER SIDE RAIL, RH.	1		
04	514553E	REAR BUMPER	1		
04-1	518028	HEAT INSULATION	1		
05	518007	REFLECTOR ASSY., SIDE(REAR)	2		
06	518020	BATTERY FIXED(PLATE)	1		
07	512425	CARRIER COVER	2		OPTION
08	518031	BRKT, REAR BODY COVER	1		
09	W99605	WASHER M6	8		
10	N20602	NUT, LOCK	2		
11	GA555SC05	BOLT, OUTLET M6X1.0X16L	3		
12	S57501	SCREW, OVAL HEAD, FLANGE M5X16	4		
13	S50401	SCREW TAPPING M4X12	8		
14	GA555WS02	WASHER 6X16X1.5	8		
15	N32601	NUT, SPRING	12		
16	N10603	NUT, SPRING M6	6		
17	S20814	BOLT, FLANGE M8X1.25X20L	2		
18	S25602	BOLT M6X16L	1		
19	S07601	BOLT, FLANGE M6X16 (Dark Green)	4		
20	514410	CLAMP	3		
21	514411	CONNECTOR	2		
22	S72605	BOLT, HEX HEAD M6X16 (Silver White)	4		
23	512466	PLATE (LH.)	1		
24	512467	PLATE (RH.)	1		

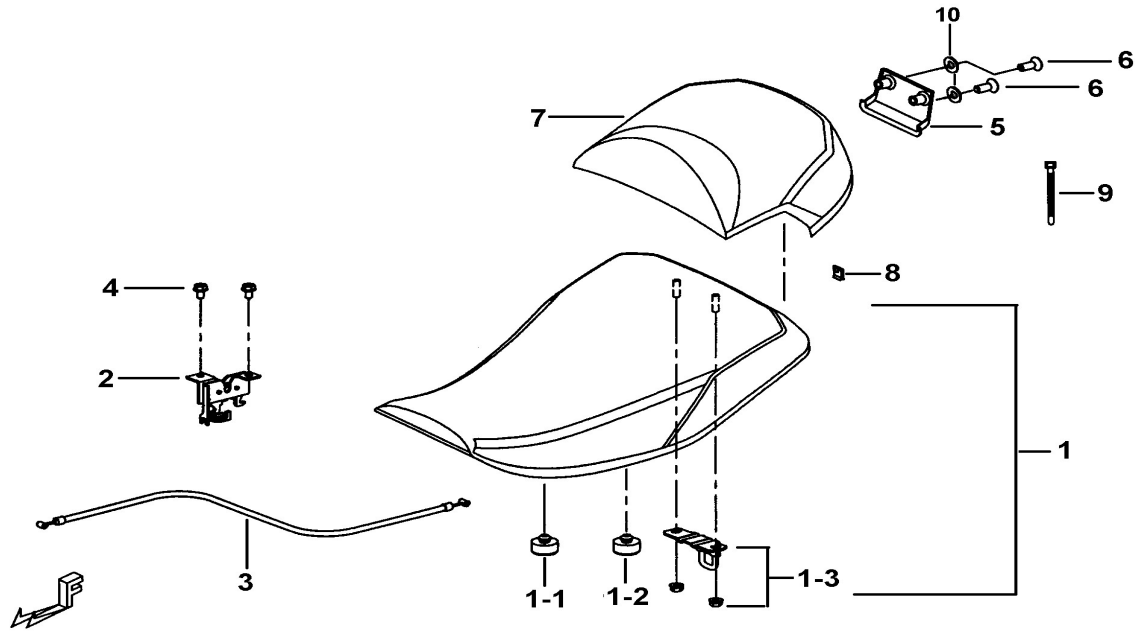
25	518739	CLAMP L200	1
26	518739	CLAMP L200	4
27	S72601	BOLT, HEX HEAD M6X20	4
28	S20611	BOLT, HEX HEAD M6X20	4
29	514467	DRAIN HOSE	1
30	R40002	CLIP	1
31	S50402	SCREW,TAPPING M4X10	2
32	N20502	NUT, SELFLOCK	2
33	GA552WS05	WASHER 5.2X10X0.8	2
34	458015	REFLECTOR ASSY., REAR	2

Total : 38

224

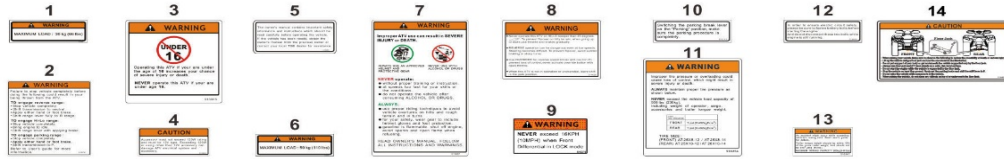
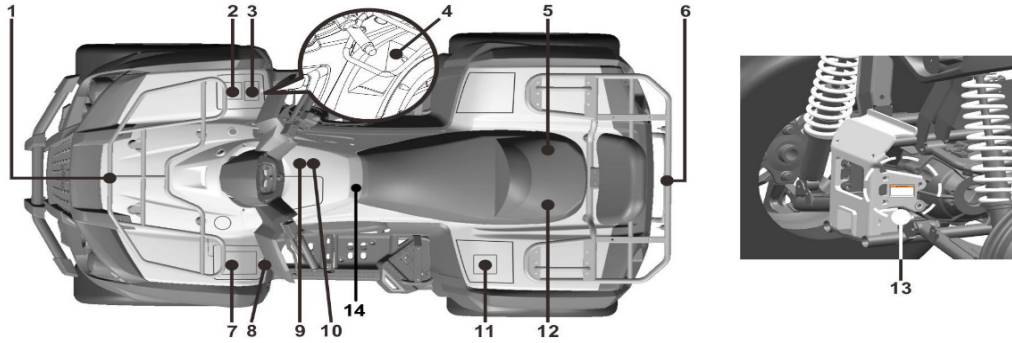
SEAT

ETT-JJ



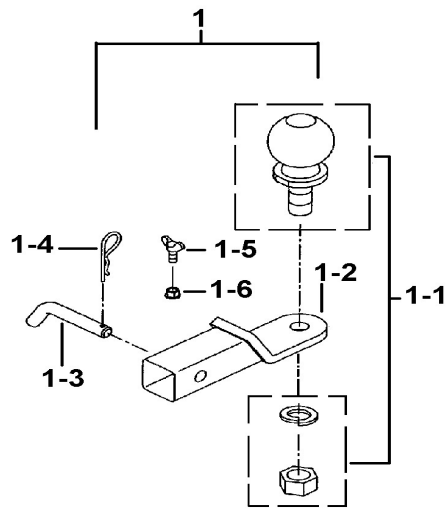
Item No.	Part No.	Description	Q'ty	Amend	Note
01	512203	SEAT SET	1		
01-1	515408	DAMPER, RUBBER (FRONT)	2		
01-2	515409	DAMPER, RUBBER (REAR)	2		
01-3	515020	HOOK	1		
02	511933	LOCK SET, SEAT	1		
03	512337	CABLE, LOCK SET, SEAT	1		
04	S21605	BOLT, FLANGE M6X10	2		
05	515398	DECORATIVE PLATES, SEAT SET	1		
06	GA555SC05	BOLT, OUTLET M6X1.0X16L	2		
07	512358	PASSENGER SEAT	1		
08	N32601	NUT, SPRING	2		
09	518739	CLAMP L200	1		
10	W99605	WASHER M6	2		

Total : 13



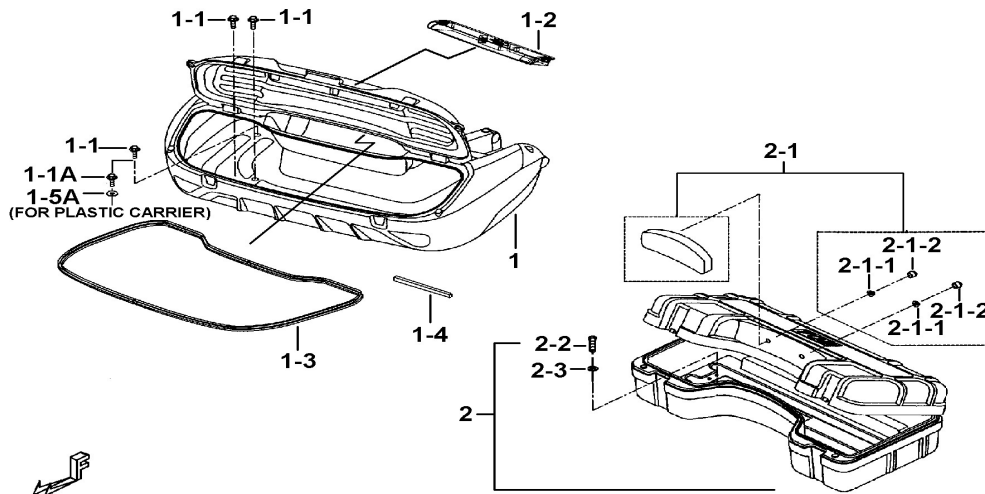
Item No.	Part No.	Description	Q'ty	Amend	Note
01	513666	LABEL, FRONT CARRIER	1		
02	516761	LABEL, SHIFT RANGE.	1		
03	513665	LABEL, AGE 16.	1		
04	513661	LABEL, D.C. ELECTRIC SOURCE	1		
05	513663	LABEL, INFORMATION.	1		
06	513679	LABEL, REAR CARRIER	1		
07	513667	LABEL, WARNING	1		
08	514626	LABEL, CLIMBING HILLS	1		
09	518370	LABEL, LOCK(MODE)	1		
10	518323	LABEL, PARKING	1		
11	518254	LABEL, TIRE PRESSURE.	1		
12	514650	LABEL, BATTERY.	1		
13	518520	LABEL, TOWING CAPACITY	1		
14	518494	LABEL, JACKING POINT	1		

Total : 14



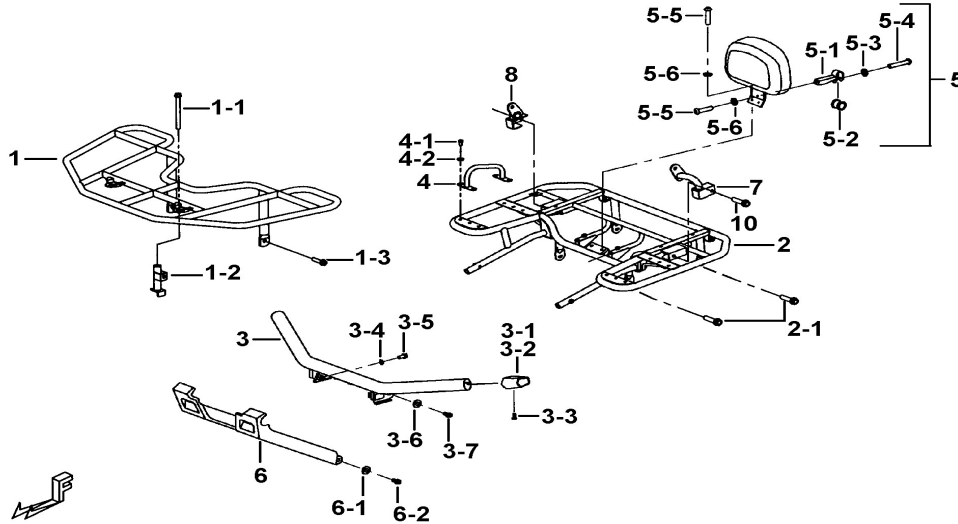
Item No.	Part No.	Description	Q'ty	Amend	Note
01	511478YA	HITCH BALL ASSY.	1		
01-1	511478Y	HITCH BALL COMP.	1		
01-2	511477Y	BALL MOUNT	1		
01-3	514068	PIN	1		
01-4	P20001	CLIP	1		
01-5	S97001	WING BOLT M10X20L	1		
01-6	GA551NT04	NUT, HEX. HEAD M8	1		

Total : 7



Item No.	Part No.	Description	Q'ty	Amend	Note
01	515373E	REAR CARGO BOX COMP.	1		
01-1	S72808	BOLT M8X1.25X30L	6		(FOR STEEL CARRIER)
01-1A	S20822	BOLT, FLANGE M8X45	6		(FOR PLASTIC CARRIER)
01-2	515351	BRAKE LIGHT	1		
01-3	516015	WATERPROOF STRIP	1		
01-4	516016	WATERPROOF STRIP	2		
01-5A	W99806	WASHER 8.5X16X2	2		(FOR PLASTIC CARRIER)
02	515170E	REAR CARGO BOX	1		(FOR PLASTIC CARRIER)
02-1	413957A	SEAT COMP., BACK	1		(FOR PLASTIC CARRIER)
02-1-1	GA554NT04	NUT, FLANGE M6xP1.0	2		(FOR PLASTIC CARRIER)
02-1-2	512006	RUBBER PLUG	2		(FOR PLASTIC CARRIER)
02-2	S20822	BOLT, FLANGE M8X45	4		(FOR PLASTIC CARRIER)
02-3	W99005	WASHER 2t	4		(FOR PLASTIC CARRIER)

Total : 13



Item No.	Part No.	Description	Q'ty	Amend	Note
01	518769SEB	FRONT CARRIER COMP.(SEMI-GLOSS BLACK)	1		
01-1	S20024	BOLT M10XP1.25X120L	2		
01-2	518768	SUPPORT BRACKET	2		
01-3	S20002	BOLT,FLANGE M10X1.25	2		
02	518743SEA	REAR CARRIER COMP.(SEMI-GLOSS BLACK)	1		
02-1	S21809	BOLT M8X1.25X18L	4		
03	518751SEA	BUMPER, FRONT COMP.(SEMI-GLOSS BLACK)	1		OPTION
03-1	516083	CAP (LH)	1		
03-2	516084	CAP (RH)	1		
03-3	GA555SC03	SCREW, AN HEAD M6X16	2		
03-4	GA556WS06	WASHER, SPRING 10X18X2.5	2		
03-5	S21809	BOLT M8X1.25X18L	2		
03-6	W99219	WASHER	2		
03-7	S21008	BOLT M10X20	2		
03A	518751BCA	BUMPER, FRONT COMP. (BRIGHT BLACK)	1		OPTION
03B	518751NBA	BUMPER, FRONT COMP.(INDIGO BLUE)	1		OPTION
03C	518751OFA	BUMPER, FRONT COMP. (BRIGHT ORANGE)	1		OPTION
03D	518751SYA	BUMPER, FRONT COMP.(FLO. YELLOW)	1		OPTION
03E	518751TUA	BUMPER, FRONT COMP.(TURQUOISE)	1		OPTION
03F	518751CAA	BUMPER, FRONT COMP.(CARMINE)	1		OPTION
04	516086A	PASSENGER HOLDER	2		FOR STEEL CARRIER ONLY
04-1	S72805	BOLT, SOCKET M8X20L	8		
04-2	W10801	SPRING WASHER $\phi 8.2 \times 11.4 \times 2.0t$	8		
05	512334A	SEAT BACK CUSHION	1		FOR STEEL CARRIER ONLY
05-1	512333	BRACKET	1		
05-2	515096	BUSH, RUBBER	1		
05-3	W10602	SPRING WASHER $\phi 6.2 \times 11.5 \times 1.5t$	1		
05-4	S46602	SCREW M6	1		
05-5	S72805	BOLT, SOCKET M8X20L	3		

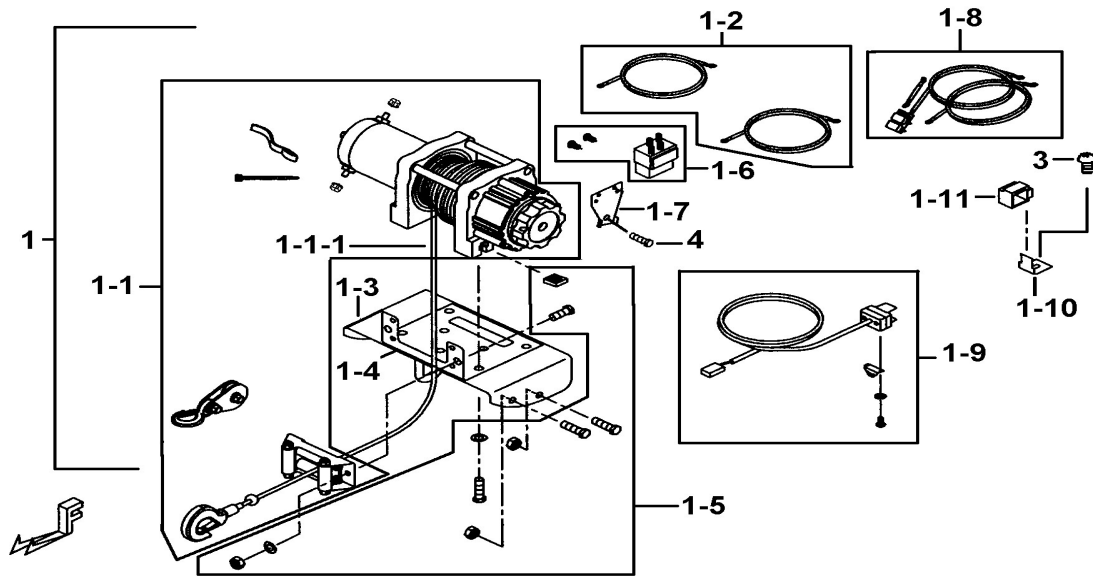
05-6	W10801	SPRING WASHER ϕ 8.2X11.4X2.0t	3	
06	518744SEA	PROTECTOR COMP., BUMPER.(SEMI- GLOSS BLACK)	1	OPTION
06-1	W99219	WASHER	2	
06-2	S21008	BOLT M10X20	2	
07	514958	BRACKET LH.	1	
08	514959	BRACKET RH.	1	
10	S21008	BOLT M10X20	2	

Total : 36

229

WINCH ASSY.)(FOR TGB-LY)(OPTION)

ETT-JJ



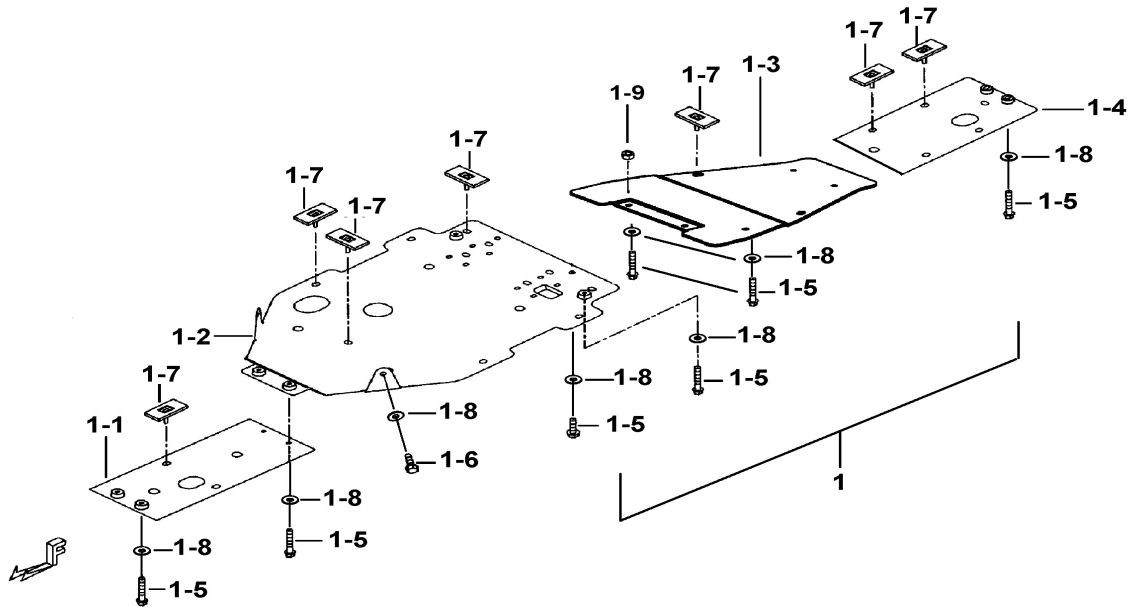
Item No.	Part No.	Description	Q'ty	Amend	Note
01	910984JLY	WINCH ASSY.	1		
01-1	925932LY	WINCH BODY	1		
01-1-1	925931LY	TOWING CABLE	1		
01-10	515026LY	BRACKET	1		
01-11	515057LY	BUSH, RUBBER	1		
01-2	925929LY	CABLE	1		
01-3	928771LY	WINCH BRACKET	1		
01-4	928772LY	BRACKET	1		
01-5	925944LY	BOLTS	1		
01-6	925927LY	RELAY	1		
01-7	910991LY	RELAY BRACKET	1		
01-8	515379LY	OVERLOADING PROTECTOR	1		
01-9	925926LY	TRIGGER SWITCH ASSY.	1		
03	GA555SC05	BOLT, OUTLET M6X1.0X16L	1		
04	S20814	BOLT, FLANGE M8X1.25X20L	1		

Total : 15

230

PROTECTOR, ASSY. (AL)(OPTION)

ETT-JJ



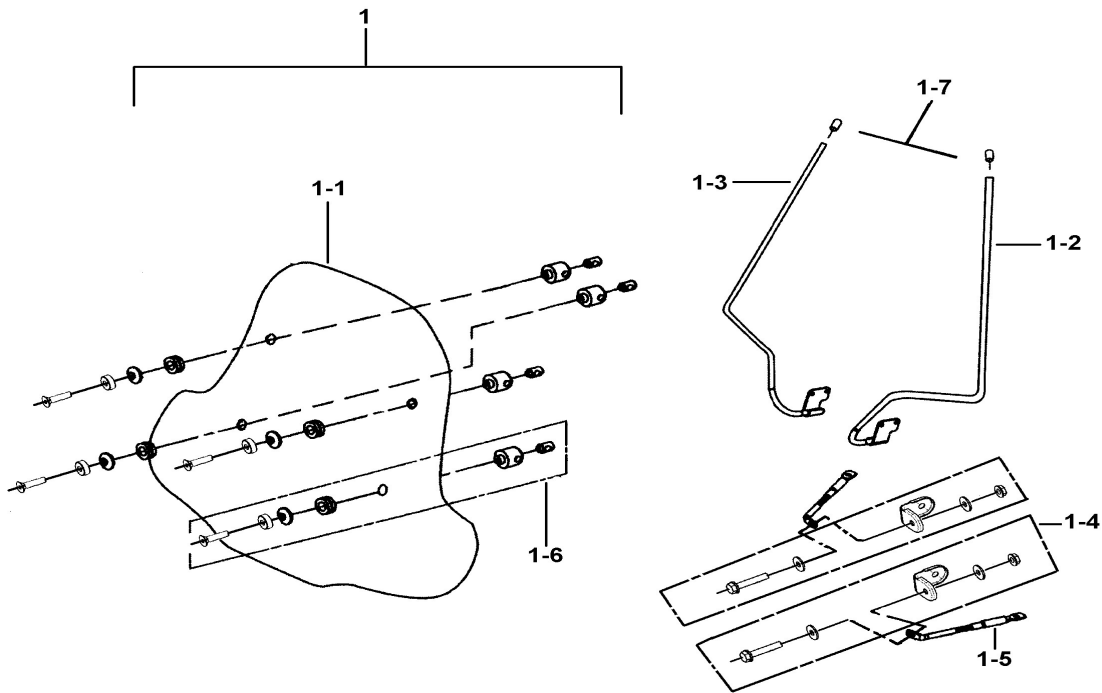
Item No.	Part No.	Description	Q'ty	Amend	Note
01	519412A	PROTECTOR, ASSY.(AL)	1		
01-1	519410	PROTECTOR, FRONT (AL)	1		
01-2	519411	PROTECTOR, (MIDDLE)(AL)	1		
01-3	519412	PROTECTOR, SMALL (MIDDLE)(AL)	1		
01-4	519413	PROTECTOR COVER (AL)	1		
01-5	S20621	BOLT M6X32	14		
01-6	GA555SC05	BOLT, OUTLET M6X1.0X16L	2		
01-7	515078	CUSHION	15		
01-8	W99605	WASHER M6	16		
01-9	N10601	NUT, FLANGE 6mm	2		

Total : 10

231

WIND-SHIELD ASSY.(OPTION)

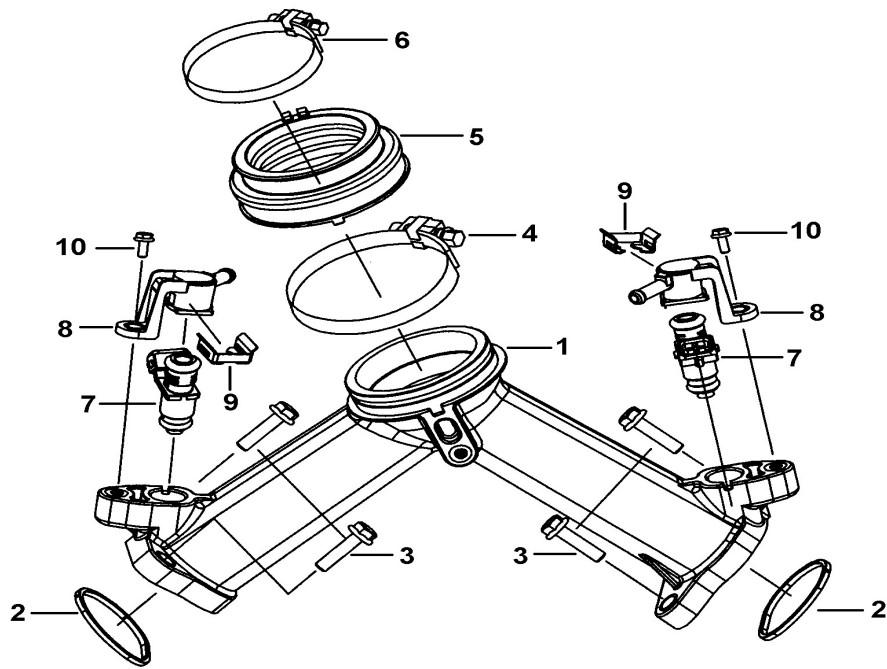
ETT-JJ



Item No.	Part No.	Description	Q'ty	Amend	Note
01	518762A	WIND-SHIELD ASSY.	1		
01-1	518762	WIND-SHIELD	1		
01-2	518765	FIXED ROD, LH.	1		
01-3	518766	FIXED ROD, RH.	1		
01-4	457046A	BLOT SET	2		
01-5	513024	BATTEN	2		
01-6	457188B	WIND-SHIELD INSTALLATION KIT	4		
01-7	GA524RB02	BUSH, RUBBER	2		

Total : 8

10201	HEAD ASSY, CYLINDER(2)	ETT-JJ
--------------	-------------------------------	---------------



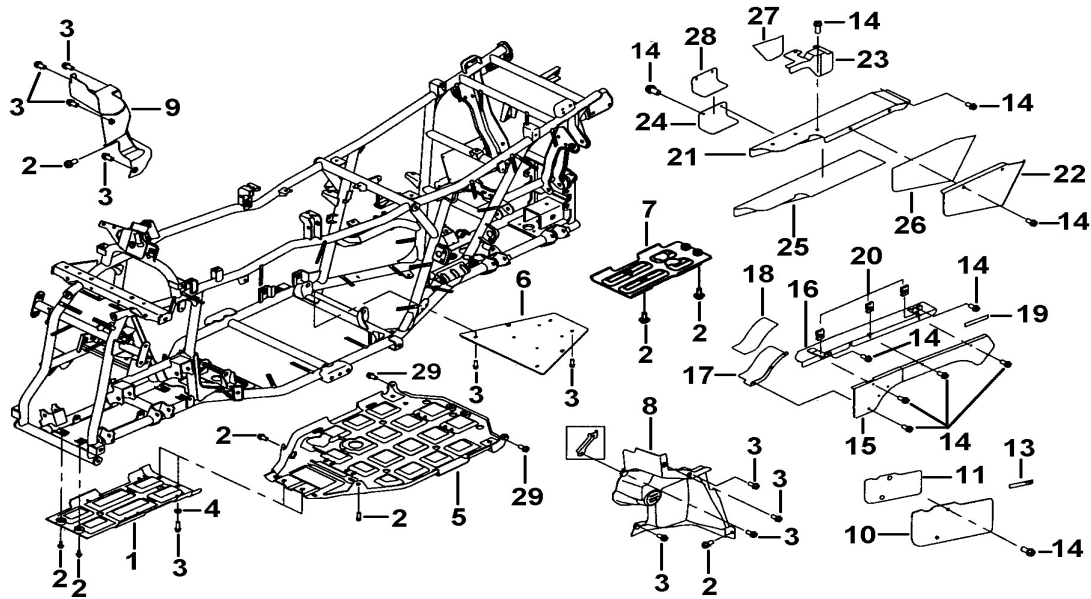
Item No.	Part No.	Description	Q'ty	Amend	Note
01	910145	INTAKE PIPE	1		
02	910305	SEAL	2		
03	S20829	BOLT, FLANGE M8X25	4		
04	910424	CLAMP $\phi 60 \sim \phi 80$	1		
05	910307	RUBBER TUBE	1		
06	925081	CLAMP	1		
07	926024Y	FUEL INJECTOR	2		
08	926153	FUEL RAIL	2		
09	926030Y	INJECTOR CLIP	2		
10	S24604	BOLT,FLANGE M6X12	2		

Total : 10

20401

FRAME(2)

ETT-JJ



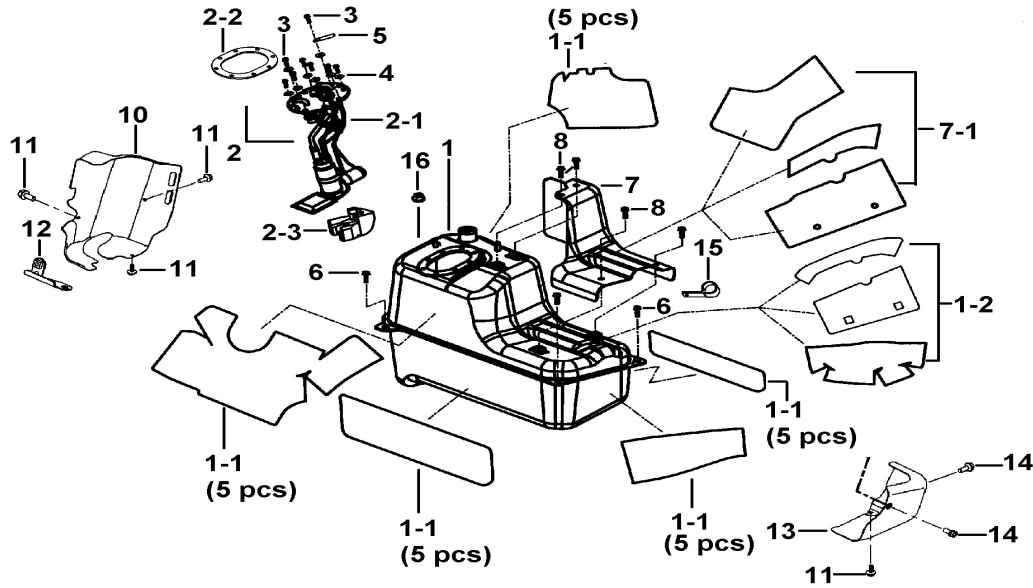
Item No.	Part No.	Description	Q'ty	Amend	Note
01	511394	PROTECTOR, FRONT	1		
02	S25602	BOLT M6X16L	10		
03	S07601	BOLT, FLANGE M6X16 (Dark Green)	14		
04	GA554BS02	SPACER 6.5*5.8	2		
05	519807	PROTECTOR, REAR(PLASTIC)	1		
06	517952	PROTECTOR, REAR(PLASTIC)	1		
07	511986-M1	PROTECTOR, REAR(PLASTIC)	1		
08	511301	FRONT INTERNAL FENDER, LH.	1		
09	511994	FRONT INTERNAL FENDER, RH.	1		
10	511353	INSULATION SHIELD	1		
11	511354R	INSULATION	1		
13	514410	CLAMP	1		
14	GA555SC05	BOLT, OUTLET M6X1.0X16L	18		
15	516097	HEAT ISULATION PLATE OUTER	1		
16	516098	HEAT ISULATION PLATE INNER	1		
17	511324	PROTECTOR	1		
18	511325R	INSULATION(A)(MUFFLER)	1		
19	517995	HEAT INSULATION	2		
20	N32601	NUT, SPRING	3		
21	511329	PROTECTOR	1		
22	511333	PROTECTOR	1		
23	511337	PROTECTOR	1		
24	511341	PROTECTOR	1		
25	511328R	INSULATION(D)(MUFFLER)	1		
26	511334R	INSULATION(E)(MUFFLER)	1		
27	511338	INSULATION(F)(MUFFLER)	1		
28	511342	INSULATION(G)(MUFFLER)	1		
29	S21605	BOLT, FLANGE M6X10	2		

Total : 28

20701

FUEL TANK & HEAT ISOLATOR

ETT-JJ



Item No.	Part No.	Description	Q'ty	Amend	Note
01	518171A	FUEL TANK ASSY.	1		
01-1	518157RA	INSULATION COMP.(5 PCS)	1		
01-2	518131RA	INSULATION COMP.(3 PCS)	1		
02	910770YA	FUEL PUMP ASSY.	1		
02-1	910770Y	FUEL PUMP COMP.	1		
02-2	910843	GASKET	1		
02-3	910904	FUEL PUMP RUBBER SEAT	1		
03	GA555SC05	BOLT, OUTLET M6X1.0X16L	8		
04	W03604	GASKET M6XΦ14X0.5T	8		
05	514410	CLAMP	1		
06	S21809	BOLT M8X1.25X18L	4		
07	518161A	INSULATION SHIELD COMP.	1		
07-1	518172RA	INSULATION COMP.	1		
08	GA556SC01	BOLT, FLANGE M6X1.0X12L	4		
10	517986	PROTECTION SHIELD(RH)	1		
11	S07601	BOLT, FLANGE M6X16 (Dark Green)	5		
12	517987	BRACKET	1		
13	517985	PROTECTION SHIELD(LH)	1		
14	GA555SC05	BOLT, OUTLET M6X1.0X16L	2		
15	518188	CLAMP " P "	1		
16	GA558NT02	NUT, SELFLOCK 8X7.5	1		

Total : 21

21001	FRONT DISTRIBUTOR (FOR ABS)	ETT-JJ
-------	-----------------------------	--------

THIS PAGE NOT USED

Item No.	Part No.	Description	Q'ty	Amend	Note
01	516508	DISTRIBUTOR	1		
02	511066A	HOSE ASSY., BRAKE	1		
02-1	GA559WS04	WASHER 10X15X1.2	3		
02-2	S21001	BANJO BOLT M10X1.25X22L	1		
03	511031A	HOSE ASSY., BRAKE	1		
03-1	GA559WS04	WASHER 10X15X1.2	4		
03-2	S21001	BANJO BOLT M10X1.25X22L	1		
04	513503A	HOSE ASSY., BRAKE	1		
04-1	GA559WS04	WASHER 10X15X1.2	4		
04-2	S21001	BANJO BOLT M10X1.25X22L	2		
05	511200A	HOSE ASSY., BRAKE	1		
05-1	GA559WS04	WASHER 10X15X1.2	4		
05-2	S21018	BANJO BOLT M10X1.0X22L	1		
06	S21017	BANJO BOLT M10X1.0X33L	1		
07	926866	OIL BRAKE SWITCH	1		
08	511254	HEAT INSULATION	1		
09	S24610	BOLT, FLANGE M6X40	2		
10	518740	CLAMP L300	1		

Total : 18

21401	STEERING SHAFT(W/O EPS)		ETT-JJ		
THIS PAGE NOT USED					
Item No.	Part No.	Description	Q'ty	Amend	Note
01	512763	STEERING SHAFT	1		
02	S21814	BOLT M8X1.25X75L	2		
03	512724	BRACKET, STEERING SHAFT	2		
04	512723	SPACER	2		
05	512725	BUSH SLEEVE, STEERING SHAFT	1		
06	512745	STEERING TIE-ROD ASSY.	2		
06-1	515292	LINK PIPE	1		
06-2	516040	BALL JOINT (1)	1		
06-3	516039	BALL JOINT (2)	1		
07	GA501NT01	NUT, FLANGE M10	4		
08	GA551PN04	PIN, COTTER ϕ 2.5	4		
09	W99101	WASHER 3t	4		
10	512726	DUST SEAL, STEERING SHAFT	1		
11	512728	BUSH	1		
12	512722	O RING	1		
13	512727	DUST SEAL, STEERING LOWER	1		
14	W99409	WASHER ϕ 14.5X ϕ 26X2t	1		
15	N25401	NUT M14	1		
16	P10301	PIN	1		

Total : 19

21701	REAR DISTRIBUTOR (FOR ABS)	ETT-JJ
-------	----------------------------	--------

THIS PAGE NOT USED

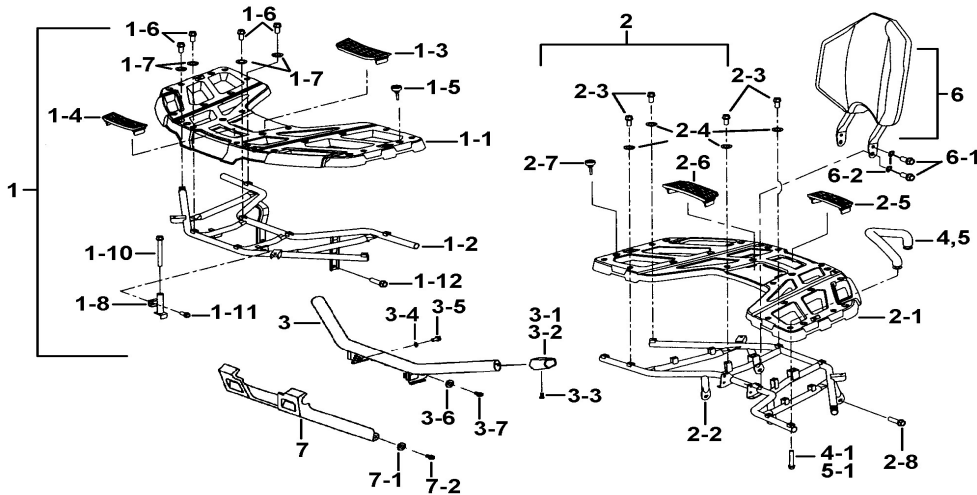
Item No.	Part No.	Description	Q'ty	Amend	Note
01	513534	DISTRIBUTOR	1		
02	511037A	HOSE ASSY., BRAKE	1		
02-1	GA559WS04	WASHER 10X15X1.2	4		
02-2	S21001	BANJO BOLT M10X1.25X22L	2		
03	514399A	HOSE ASSY., BRAKE	1		
03-1	GA559WS04	WASHER 10X15X1.2	4		
03-2	S21001	BANJO BOLT M10X1.25X22L	2		
04	511215A	HOSE ASSY., BRAKE	1		
04-1	GA559WS04	WASHER 10X15X1.2	4		
04-2	S21001	BANJO BOLT M10X1.25X22L	2		
05	513595A	HOSE ASSY., BRAKE	1		
05-1	GA559WS04	WASHER 10X15X1.2	4		
05-2	S21001	BANJO BOLT M10X1.25X22L	1		
06	513594A	HOSE ASSY., BRAKE	1		
06-1	GA559WS04	WASHER 10X15X1.2	3		
06-2	S21001	BANJO BOLT M10X1.25X22L	1		
07	513593A	HOSE ASSY., BRAKE	1		
07-1	GA559WS04	WASHER 10X15X1.2	4		
07-2	S21018	BANJO BOLT M10X1.0X22L	1		
08	S21017	BANJO BOLT M10X1.0X33L	1		
09	926866	OIL BRAKE SWITCH	1		
10	W10601	SPRING WASHER 6.2X11.5X1 t	2		
11	S24610	BOLT, FLANGE M6X40	2		
12	511018	PROTECTOR	1		
13	518739	CLAMP L200	3		
14	518740	CLAMP L300	2		

Total : 26

22801

CARRIER, BUMPER(PLASTIC) (OPTION)

ETT-JJ



Item No.	Part No.	Description	Q'ty	Amend	Note
01	518711J	PLASTIC CARRIER COMP. (FRONT)	1		
01-1	518711	PLASTIC CARRIER	1		
01-10	S20024	BOLT M10XP1.25X120L	2		
01-11	S21809	BOLT M8X1.25X18L	2		
01-12	S20002	BOLT, FLANGE M10X1.25	2		
01-2	518770	BRACKET	1		
01-3	518714	RUBBER PAD (FRONT)	1		
01-4	518715	RUBBER PAD (REAR)	1		
01-5	518713	RUBBER PAD (SMALL)	10		
01-6	S72805	BOLT, SOCKET M8X20L	8		
01-7	W99831	WASHER $\phi 8.4 \times 15.5 \times 1.2t$	8		
01-8	518780-S	SUPPORT BRACKET SET (518780+518781)	1		
02	518711B	PLASTIC CARRIER COMP. (REAR)	1		
02-1	518711	PLASTIC CARRIER	1		
02-2	519631	BRACKET, REAR CARRIER	1		
02-3	S72805	BOLT, SOCKET M8X20L	8		
02-4	W99831	WASHER $\phi 8.4 \times 15.5 \times 1.2t$	8		
02-5	518715	RUBBER PAD (REAR)	1		
02-6	518714	RUBBER PAD (FRONT)	1		
02-7	518713	RUBBER PAD (SMALL)	8		
02-8	S21809	BOLT M8X1.25X18L	4		
03	518751SEA	BUMPER, FRONT COMP. (SEMI-GLOSS BLACK)	1		OPTION
03-1	516083	CAP (LH)	1		
03-2	516084	CAP (RH)	1		
03-3	GA555SC03	SCREW, AN HEAD M6X16	2		
03-4	GA556WS06	WASHER, SPRING 10X18X2.5	2		
03-5	S21809	BOLT M8X1.25X18L	2		
03-6	W99219	WASHER	2		
03-7	S21008	BOLT M10X20	2		
03A	518751BCA	BUMPER, FRONT COMP. (BRIGHT BLACK)	1		OPTION
03B	518751NBA	BUMPER, FRONT COMP. (INDIGO BLUE)	1		OPTION
03C	518751OFA	BUMPER, FRONT COMP. (BRIGHT ORANGE)	1		OPTION
03D	518751SYA	BUMPER, FRONT COMP. (FLO. YELLOW)	1		OPTION

03E	518751TUA	BUMPER, FRONT COMP.(TURQUOISE)	1	OPTION
03F	518751CAA	BUMPER, FRONT COMP.(CARMINE)	1	OPTION
04	518719A-1	PASSENGER HOLDER(LH)	1	FOR PLASTIC CARRIER ONLY
04-1	S20810	BOLT, FLANGE M8X60	2	
05	518720A-1	PASSENGER HOLDER(RH)	1	FOR PLASTIC CARRIER ONLY
05-1	S20810	BOLT, FLANGE M8X60	2	
06	512376A	SEAT BACK CUSHION COMP	1	FOR PLASTIC CARRIER ONLY
06-1	S21008	BOLT M10X20	4	
06-2	W10203	WASHER, SPRING	4	
07	518744SEA	PROTECTOR COMP., BUMPER.(SEMI- GLOSS BLACK)	1	OPTION
07-1	W99219	WASHER	2	
07-2	S21008	BOLT M10X20	2	

Total : 45