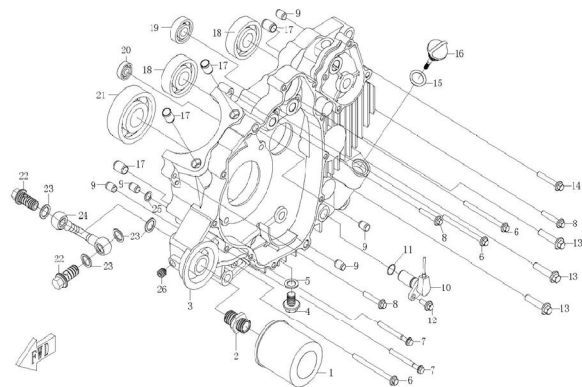


<< BACK

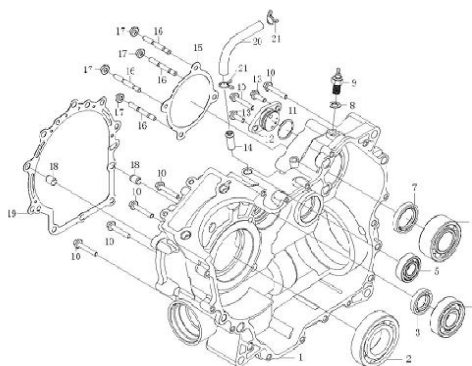
DRAWING INDEX

E1 CF188-011000 LEFT CRANKCASE



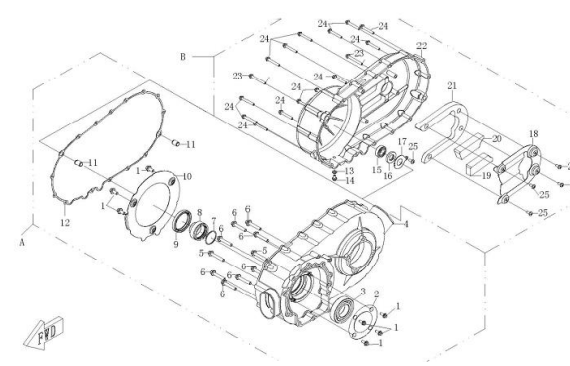
1

E2 CF188-012000 RIGHT CRANKCASE



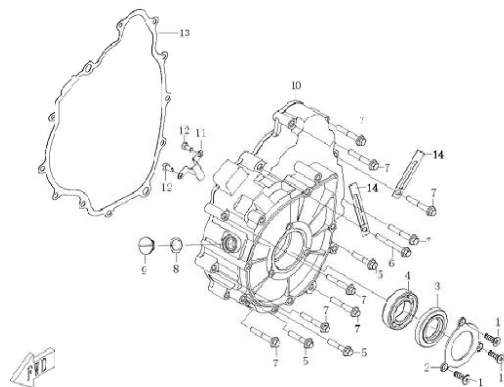
2

E3 CF188-013000CVT CVT HOUSING



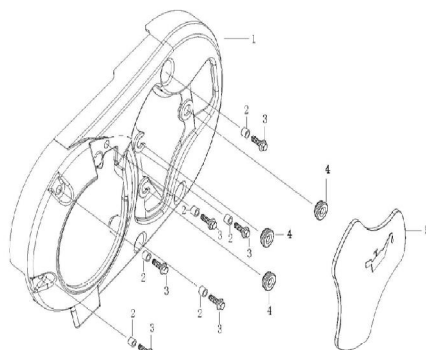
3

E4 CF188-014000 CRANKCASE COVER (LEFT)



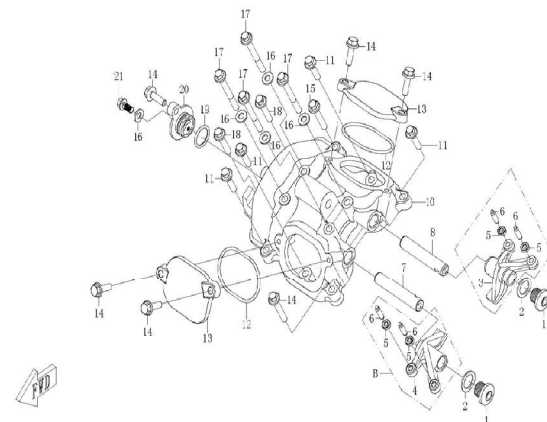
4

E5 CF188-015000 LEFT SIDE COVER ASSY



5

E6 CF188-021000 CYLINDER HEAD COVER

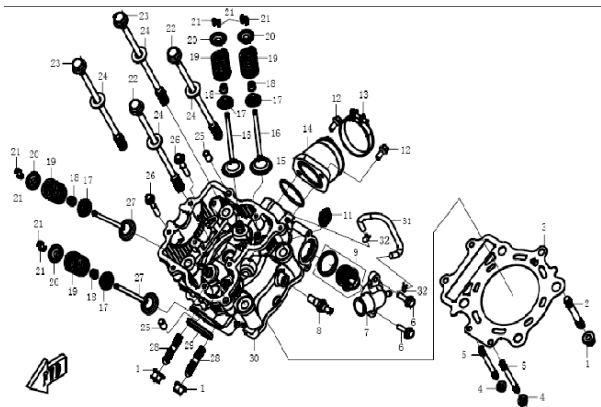


6

BODY >>

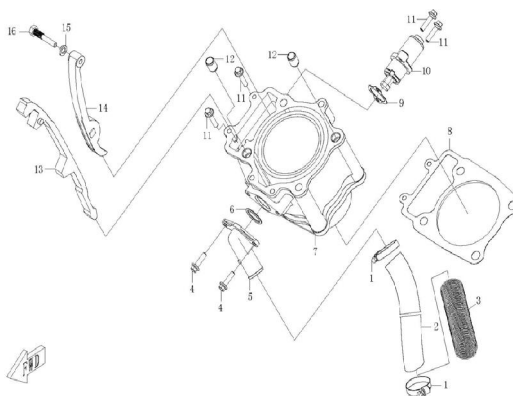
DRAWING INDEX

E7 CF188-022000 CYLINDER HEAD



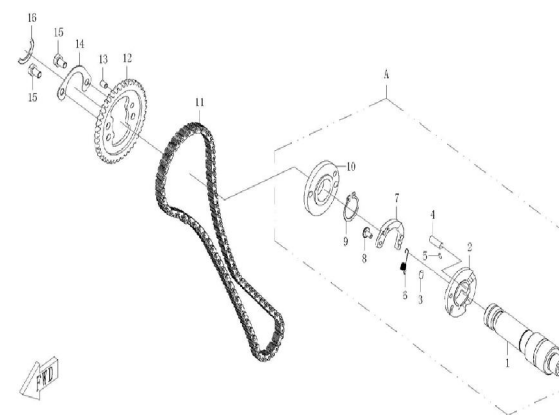
7

E8 CF188-023000 CYLINDER BODY



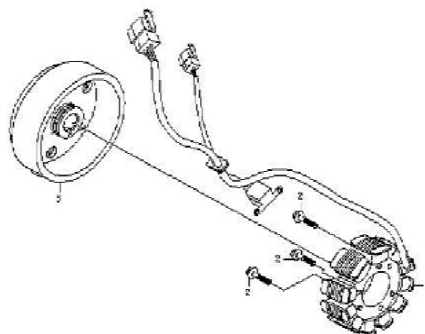
8

E9 CF188-024000 CAMSHAFT ASSY.



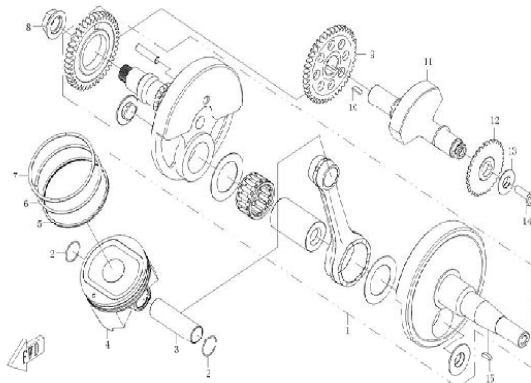
9

E10 CF188-030000 MAGNETO STATOR ASSY.



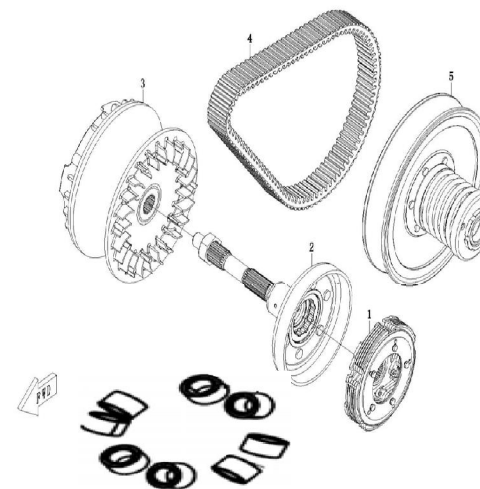
10

E11 CRANKSHAFT, PISTON, BALANCER



11

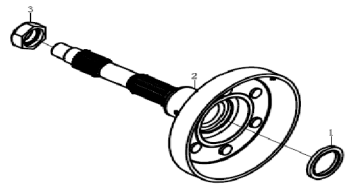
E12 CF188-050000 CVT CLUTCH, CVT



12

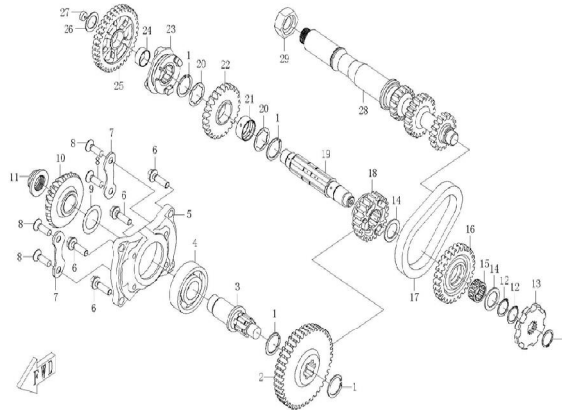
DRAWING INDEX

E13 CF188-053000 CLUTCH HOUSING



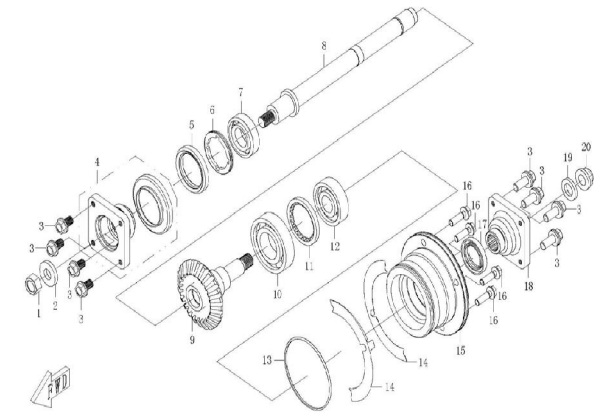
13

E14 CF188-060000 TRANSMISSION I



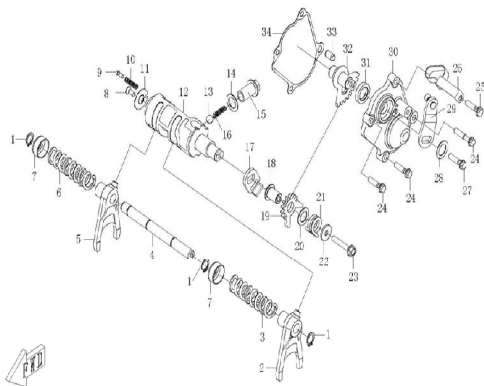
14

E15 CF188-060000 TRANSMISSION II



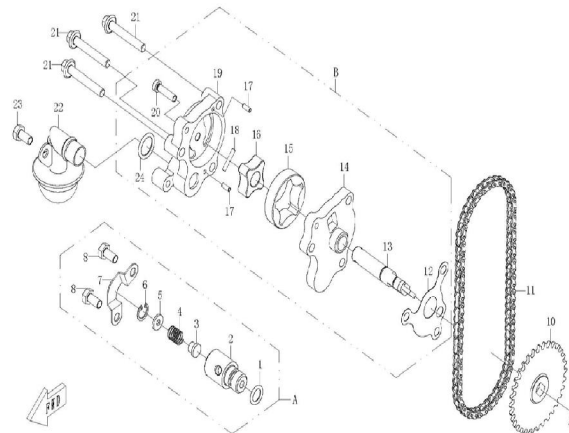
15

E16 CF188-060000 TRANSMISSION III



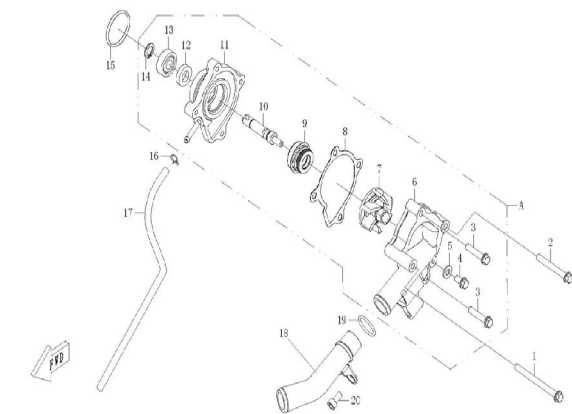
16

E17 CF188-070000 OIL PUMP



17

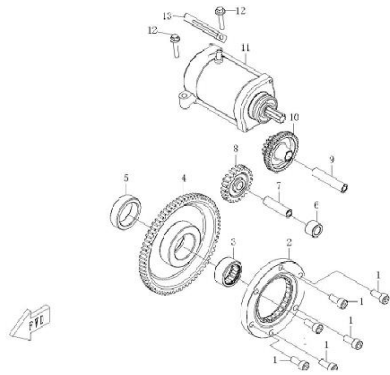
E18 CF188-080000 WATER PUMP ASSY.



18

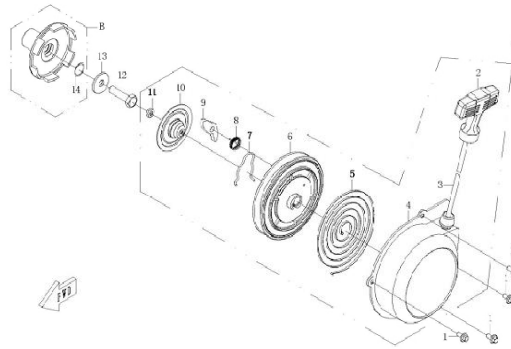
DRAWING INDEX

E19 CF188-091000 ELECTRIC STARTING



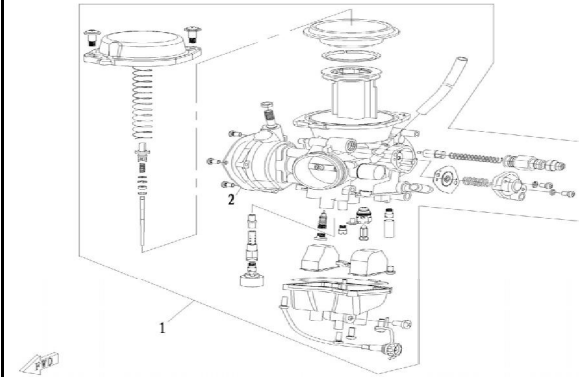
19

E20 CF188-092000 RECOIL STARTER



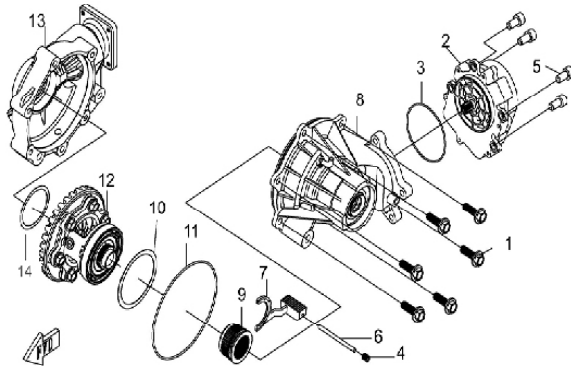
20

E21 CF188-100000 CARBURETOR



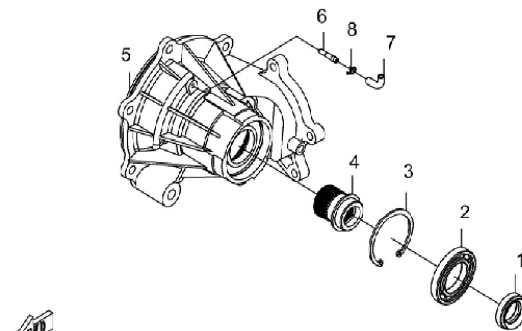
21

E22 CF188-310000 FRONT AXLE



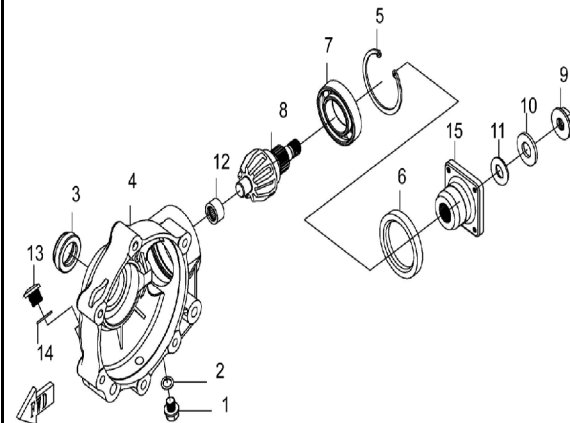
22

E23 CF188-311000 DIFFERENTIAL GEAR CASE COVER



23

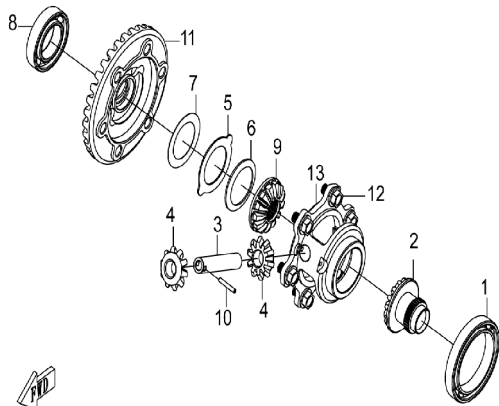
E24 CF188-312000 FRONT AXLE CASE COVER ASSY.



24

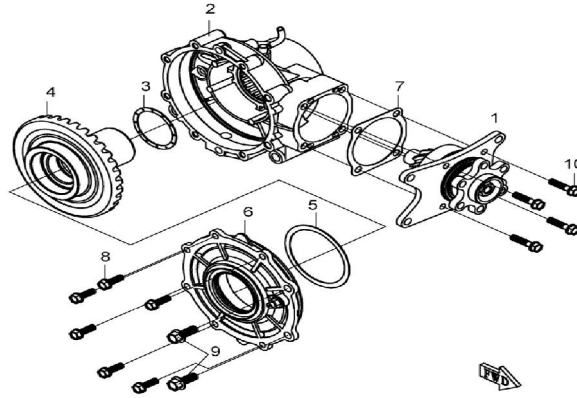
DRAWING INDEX

E25 CF188-313000 DIFFERENTIAL GEAR



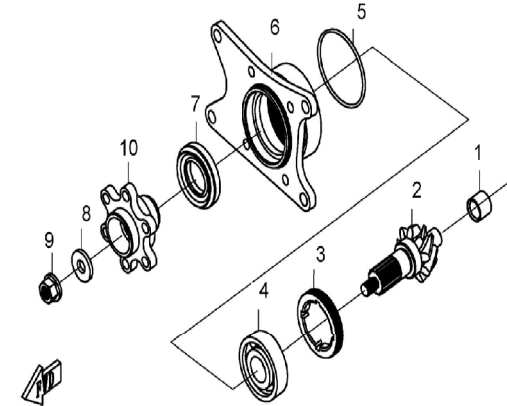
25

E26 CF188-330000 REAR AXLE



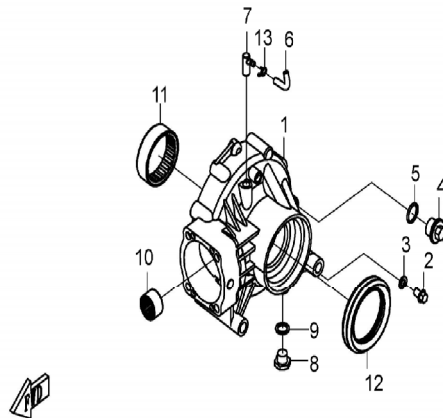
26

E27 CF188-331000 DRIVE BEVEL GEAR ASSEMBLY



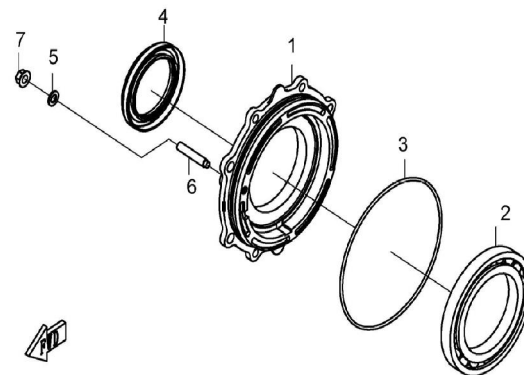
27

E28 CF188-332000 REAR GEAR CASE.



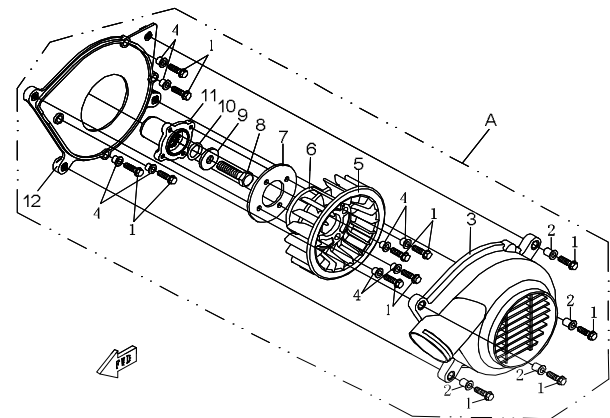
28

E29 CF188-334000 RING GEAR BEARING HOUSING



29

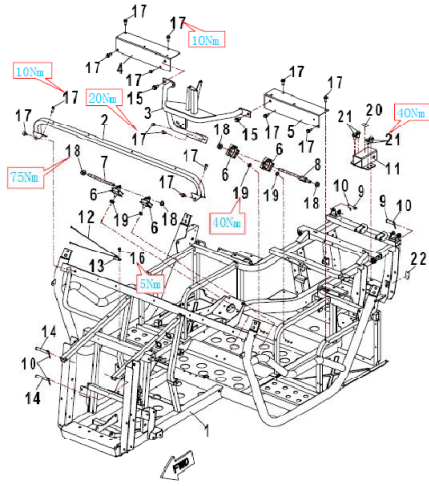
E30- FAN ASSY



30

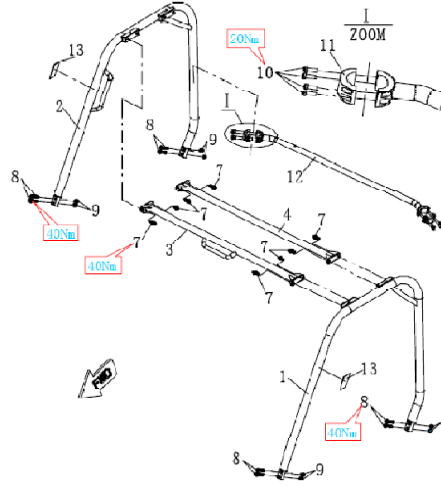
DRAWING INDEX

F1 - RUF500-0100000 FRAME



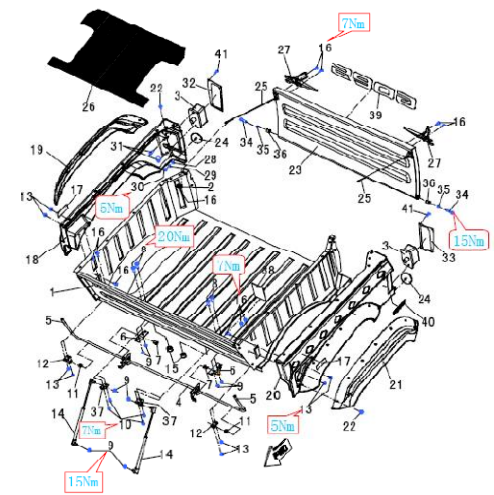
31

F2 - RUF500-0200000 - CROSS ROOF



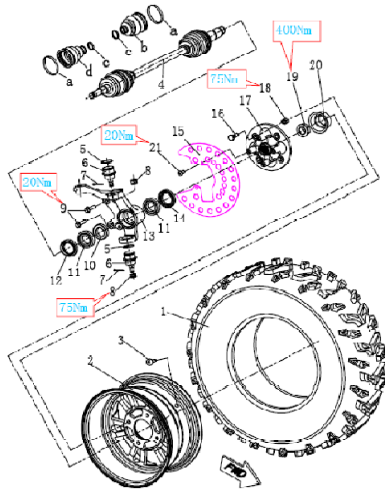
32

F3 - RUF500-0300000 CARRIER



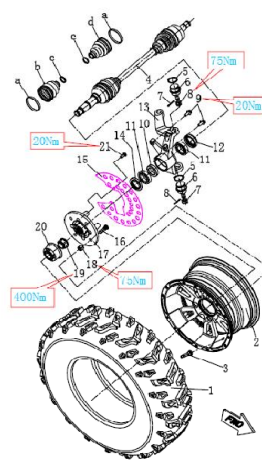
33

F4 - RUF500-0400000 FRONT WHEEL (LEFT)



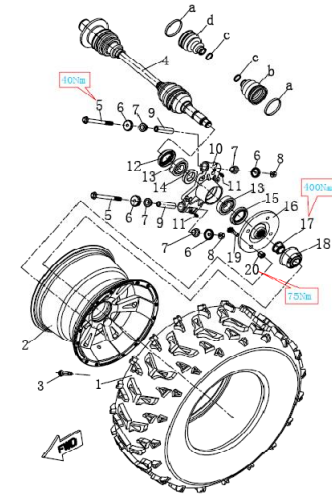
34

F5 - RUF500-0400000 FRONT WHEEL (RIGHT)



35

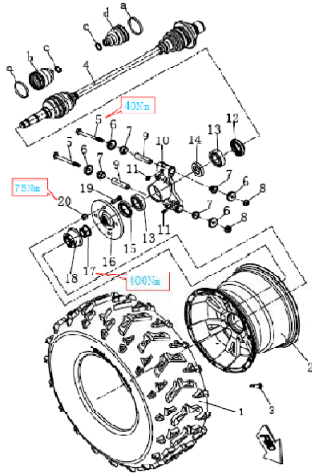
F6 - RUF500-0500000 REAR WHEEL (LEFT)



36

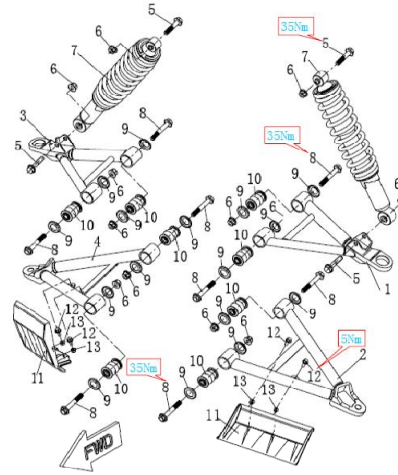
DRAWING INDEX

F7 - RUF500-0500000 REAR WHEEL (RIGHT)



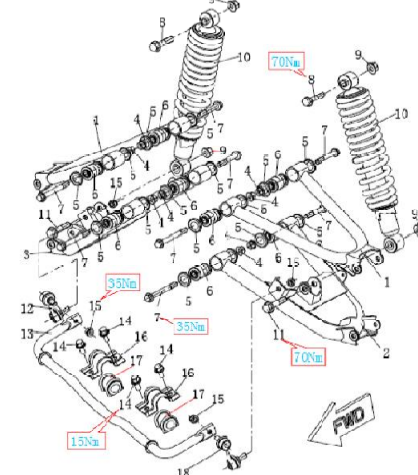
37

F8 - RUF500-0600000 FRONT ARM



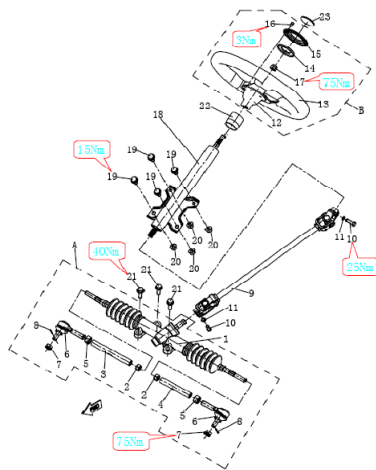
38

F9 - RUF500-0700000 REAR ARM



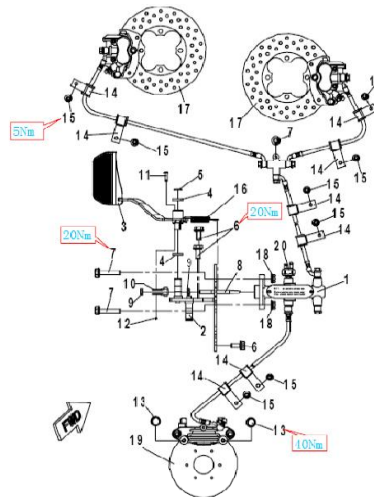
39

F10 - RUF500-0800000 STEERING



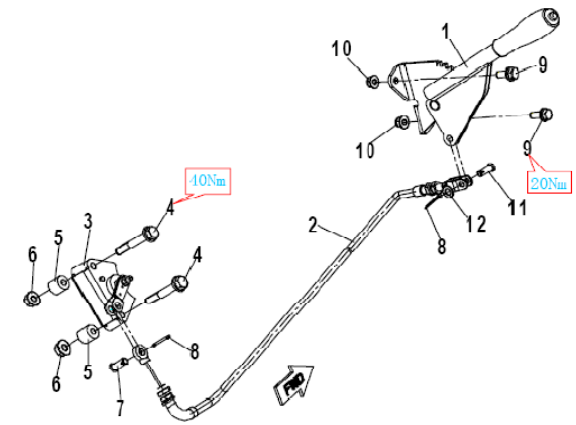
40

F11 - RUF500-0900000 BRAKE SYSTEM



41

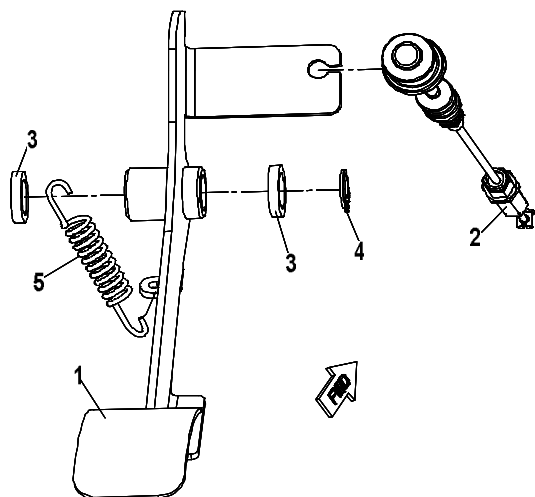
F12 - RUF500-1000000 STEERING



42

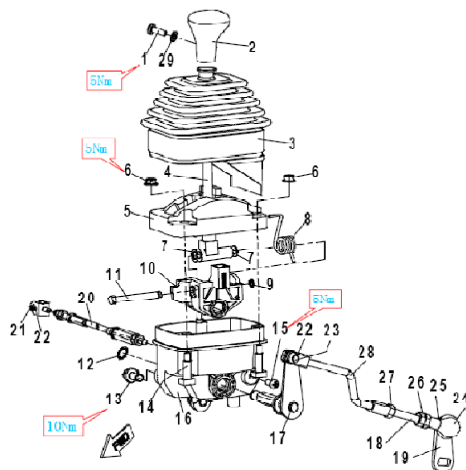
DRAWING INDEX

F13 - RUF500-1100000 STEERING



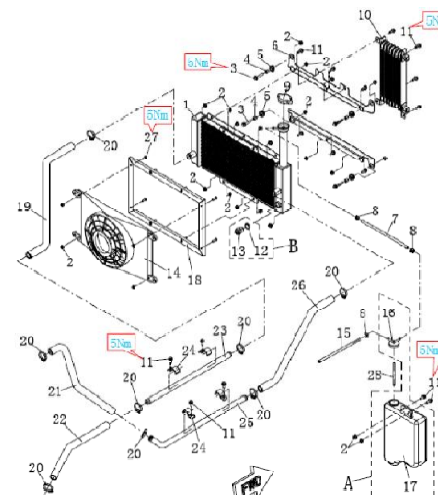
43

F14 - RUF500-1200000 SHIFT SHAFT



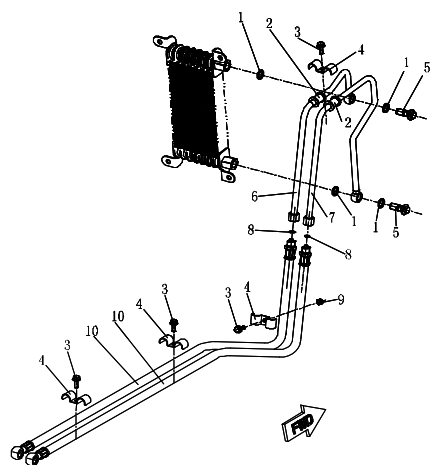
44

F15 - RUF500-1400000 RADIATOR HOSE



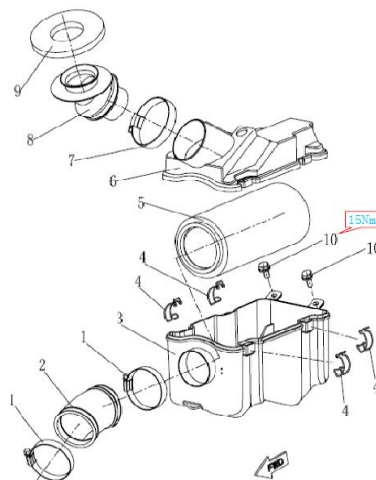
45

F16 - RUF500-1402000 RADIATOR HOSE



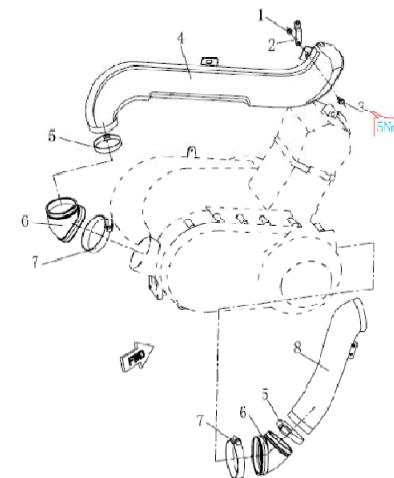
46

F17 - RUF500-1501000 INTAKE



47

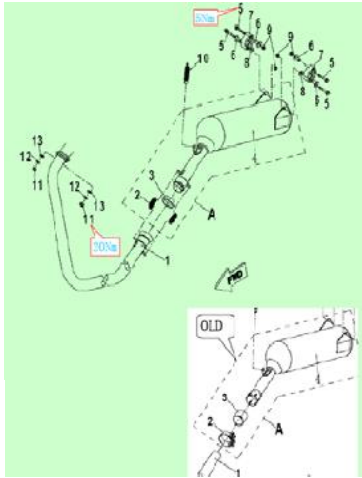
F18 - RUF500-1502000 DUCT



48

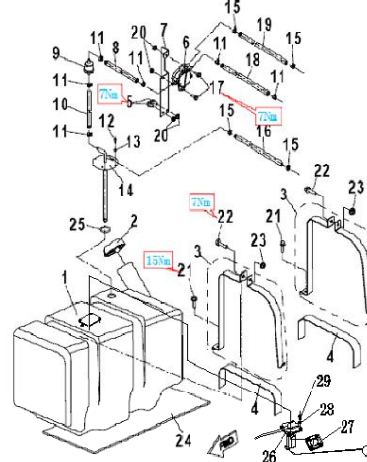
DRAWING INDEX

F19 - RUF500-1600000 EXHAUST



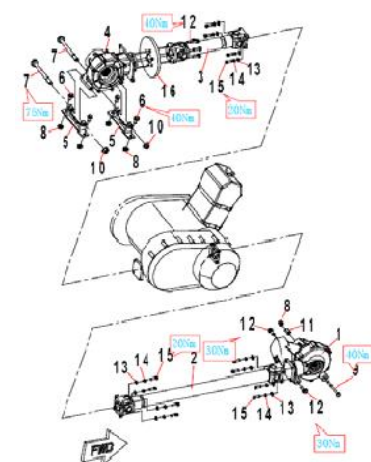
49

F20 - RUF500-1700000 FUEL TANK



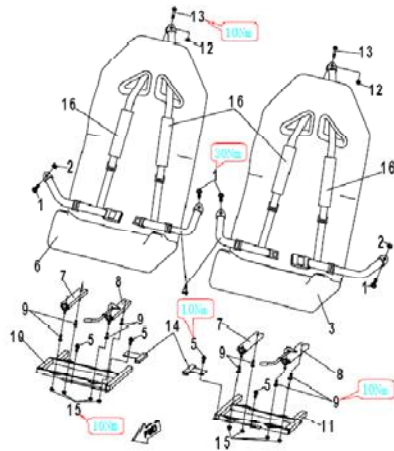
50

F21 - RUF500-1800000 DRIVE SHAFT



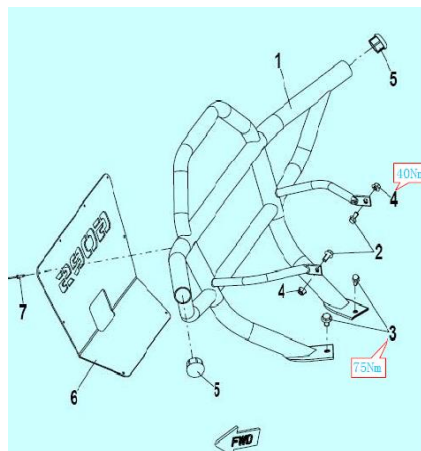
51

F22 - RUF500-2000000 SEAT



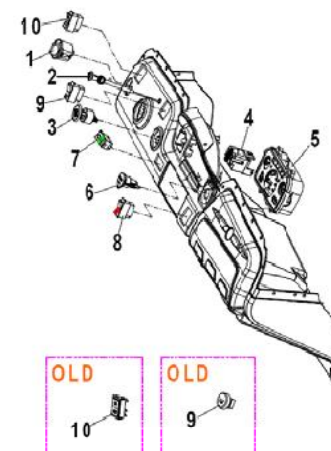
52

F23 - RUF500-2700000 FRONT BUMPER



53

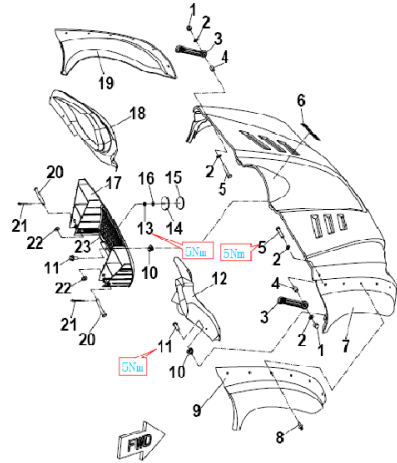
F24 - RUF500-2900000 PANEL



54

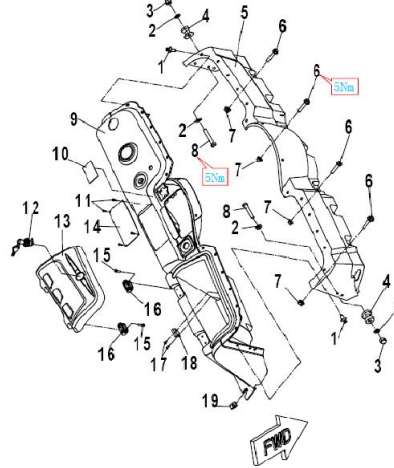
DRAWING INDEX

F25 - RUF500-3200000 FENDER



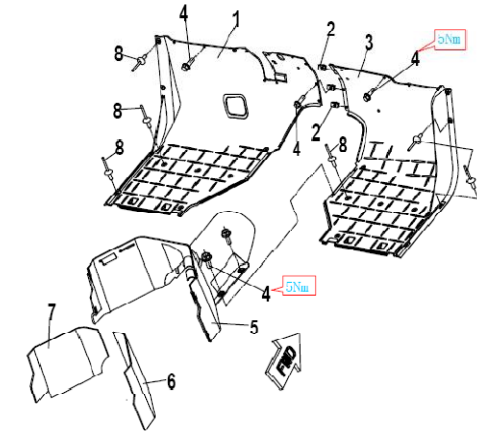
55

F26 - RUF500-3200000 FENDER



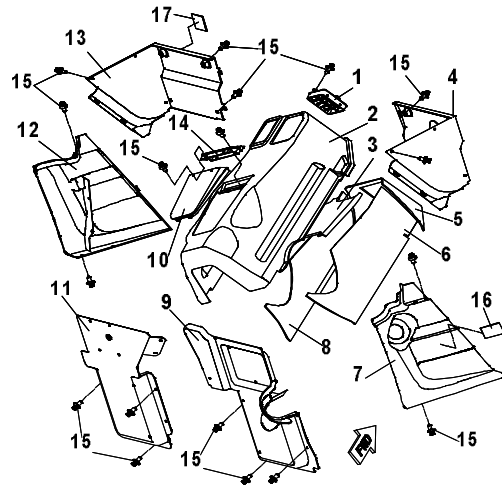
56

F27 - RUF500-3200000 FLOOR



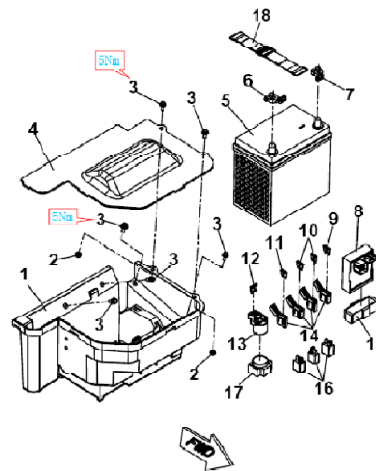
57

F28 - RUF500-3200000 FENDER



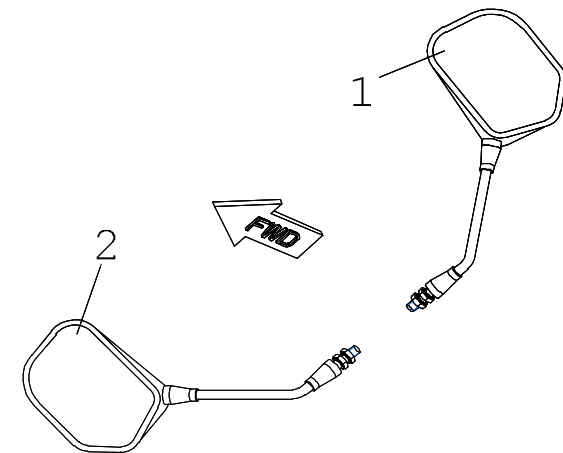
58

F29 - RUF500-2300000 BATTERY



59

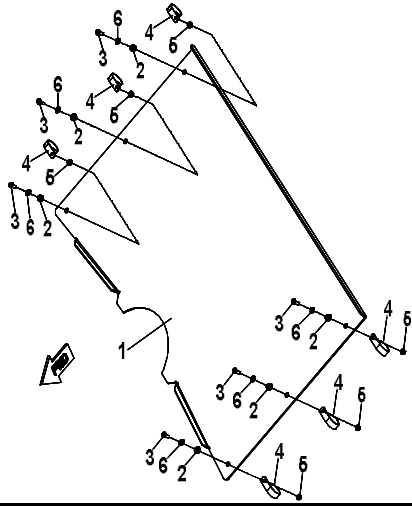
F30 - RUF500-3600000 MIRROR



60

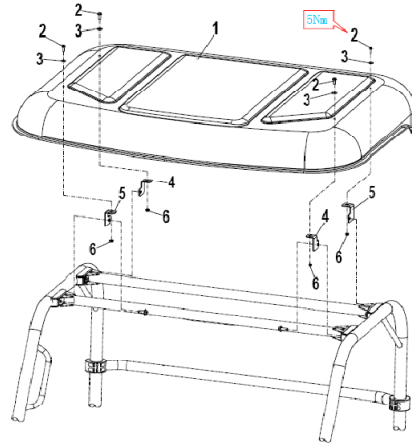
DRAWING INDEX

F31 - RUF500-3300000A WINDSHIELD



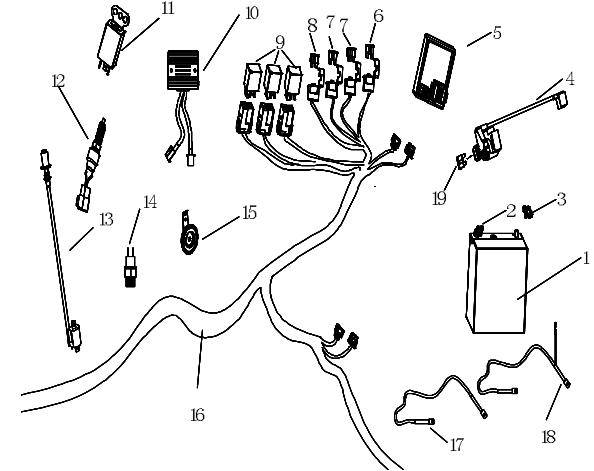
55

F32 - RUF500-0200000 ROOF



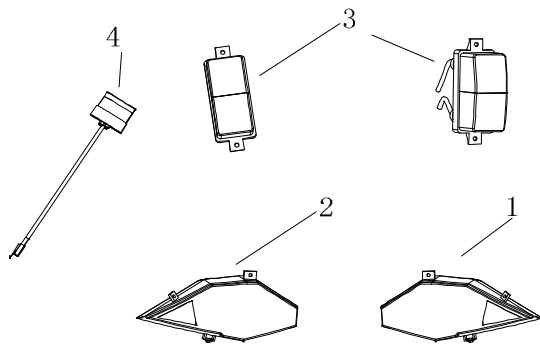
56

F33 - ELECTRIC PARTS



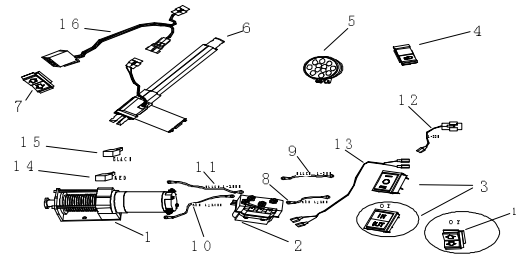
57

F34 - ELECTRIC PARTS AND LIGHT



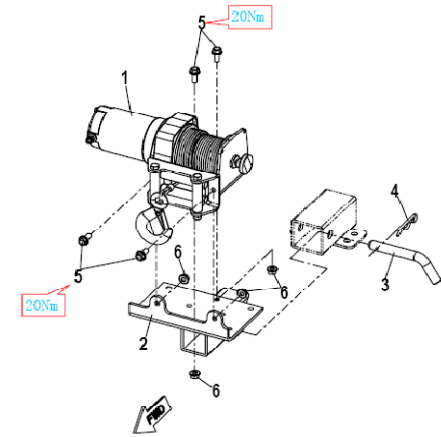
58

F35 - OPTIONAL PARTS



59

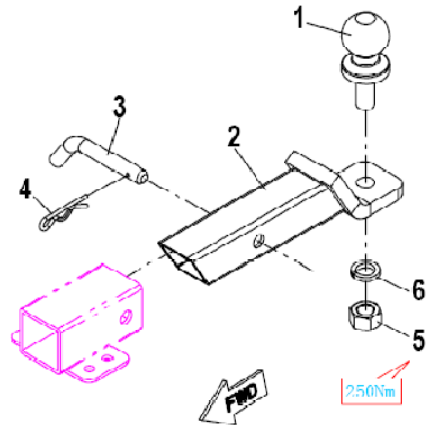
F36 - RUF500-3700000 WINCH ASSY (OPTIONAL PART)



60

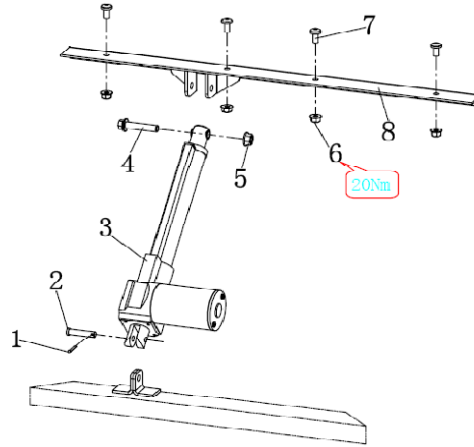
DRAWING INDEX

F37 - RUF500-3700000 WINCH ASSY (OPTIONAL PART)

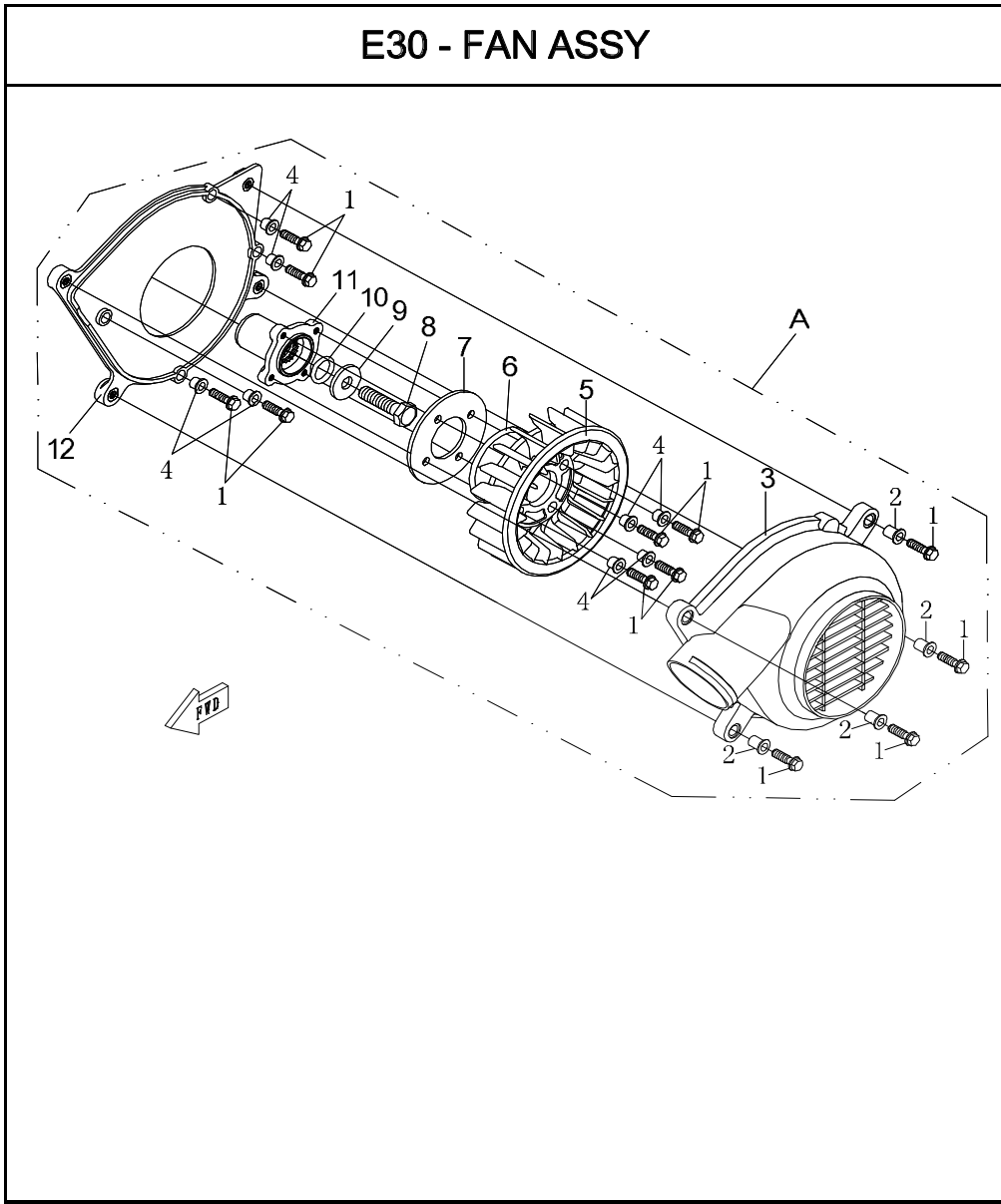


61

F38 - RUF500-3800000 HITCH BALL ASSY (OPTIONAL PART)



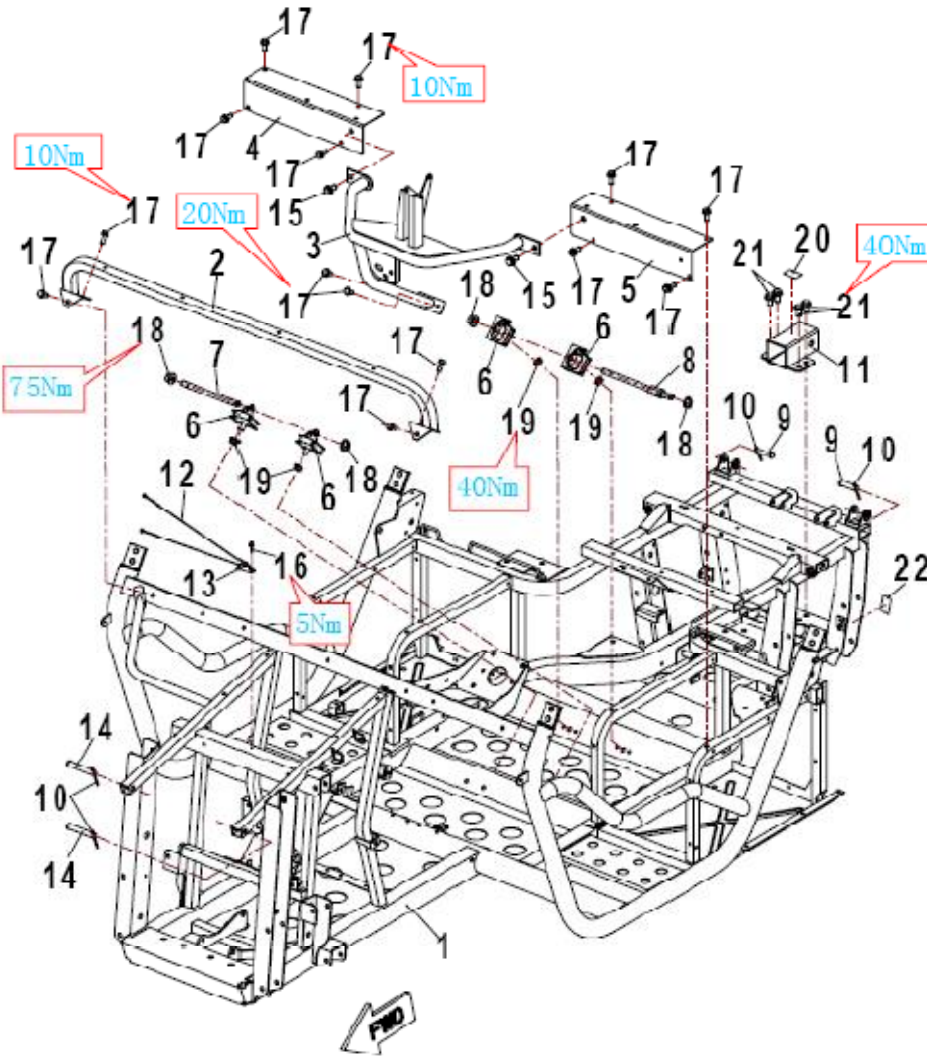
62



E30 - FAN ASSY

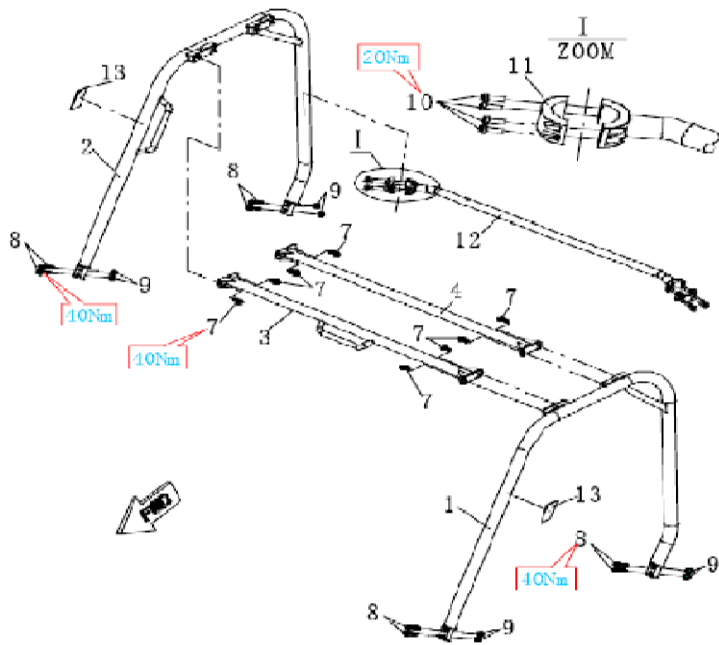
ITEM	PART CODE	DESCRIPTION	QTY	REMARKS
A	CF188-A-180000	FAN ASSY.	1	only for 520UTX

F1 - RUF500-0100000 FRAME



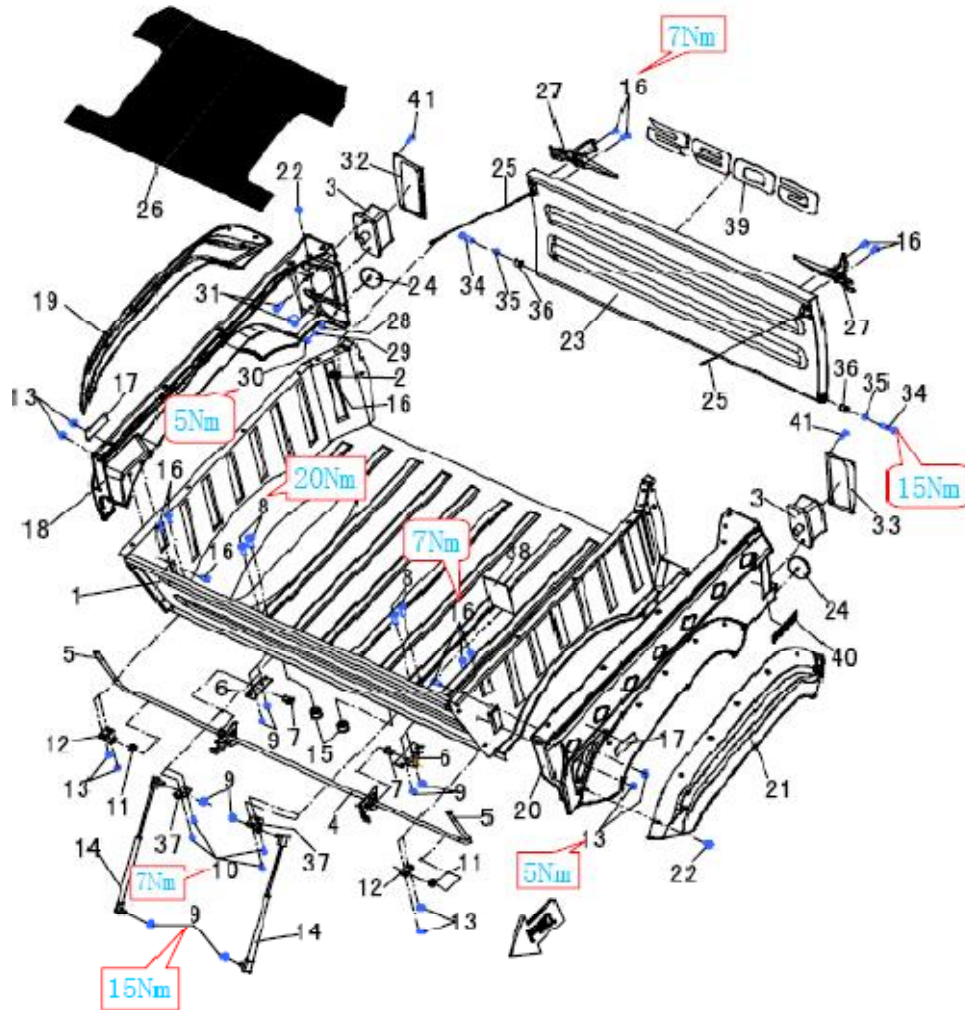
ITEM	PART CODE	DESCRIPTION	QTY	REMARKS
1	RUF500-0100000	FRAME COMP	1	
2	RUF500-3501000	SUPPORTER	1	
3	RUF500-3503000	REINFORCEMENT, FRAME	1	
4	RUF500-3502100R	SUPPORT, SEAT	1	
5	RUF500-3502100L	SUPPORT, SEAT	1	
6	RUF500-1301000	DAMPER, RUBBER	4	
7	RUF500-1305001	BOLT M12X1.25X165	1	
8	RUF500-1304001	REAR BOLT	1	
9	RUF500-0300005	CARRIAGE FASTENING PIN	2	
10	GB/T91 D3.2*40	PIN,D3.2*40	4	
11	RUF500-3506000	TOW BAR	1	
12	RUF500-3508005	CABLE,HOOK	1	
13	RUF500-0100025	SUPPORT BOARD,SPRING	1	
14	RUF500-3200001	HOOK fixed Axis	2	
15	GB/T5789M10*20	BOLT M10X20, FLANGE	2	
16	GB/T5789 M6X16	BOLT M6*16,FLANGE	2	
17	GB/T5789 M8X20	BOLT M8*20,FLANGE	14	
18	GB/T6187.2M12*1.2	NUT M12*1.25, FLANGE	4	
19	GB/T6177.1 M10	NUT M10, FLANGE	4	
20	RUF500-3507005	LABEL ,TOW BAR	1	
21	GB/T16674.2M10*25	BOLT M10X1.25X25, FLANGE	4	
22	RUF500-3507004	LABEL,REAR SUSPENSION	1	
23				
24				
25				
26				

F2 - RUF500-020000 - CROSS ROOF



ITEM	PART CODE	DESCRIPTION	QTY	REMARKS
1	RUF500-0201000	SUPPORT (LEFT) , ROOF	1	
2	RUF500-0204000	SUPPORT (RIGHT) , ROOF	1	
3	RUF500-0205000	MEMBER (TOP) , CROSS ROOF	1	
4	RUF500-0206000	MEMBER (TOP) , CROSS ROOF	1	
7	GB/T16674.2 M10*1	BOLT M10*1.25*20, FLANGE	8	
8	GB/T5789M10*50	BOLT M10*1.25*50, FLANGE	8	
9	GB/6177.2 M10*1.2	BUT M10X1.25, FLANGE	8	
10	GB/T70M8*25	BOLT M8X25	8	
11	RUF500-0200040-1	CONECTOR	2	
12	RUF500-0207000	MEMBER (BACK) , CROSS ROOF	1	
13	RUF500-3507003	WARNING LABEL,ROLL CAGE	2	
14				
15				
16				
17				
18				
19				
20				
21				
22				
23				
24				
25				
26				
27				

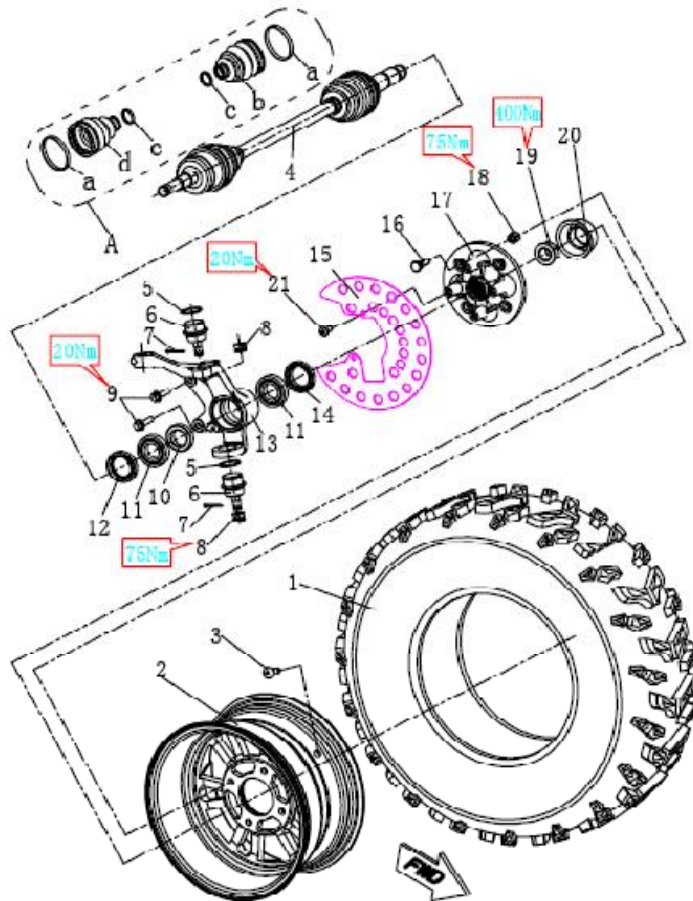
F3 - RUF500-0300000 CARRIER



ITEM	PART CODE	DESCRIPTION	QTY	REMARKS
1	RUF500-0302000	CARRIER BOX ASSY		
2	RUF500-0307001	STOPPER,		
3	RUF500-0301002-Z	TAIL LIGHT		
4	RUF500-0304100	CARRIAGE STAFF ASSY		
5	RUF500-0304005	CAP, PROTECTOR END	2	
6	RUF500-0304002	LOCK CATCH FIT2	2	
7	RUF500-0304003	staff shock nylon	2	
8	GB/T5789M8*16	BOLT, FLANGEM8*16	4	
9	GB/T 6177.1 M8	NUT M8	8	
10	GB/T5789M6*16	BOLT, FLANGE M6*16	4	
11	RUF500-0304004	HOSE	2	
12	RUF500-0304001	LOCK CATCH FIT1	2	
13	GB/T6177.1 M6	NUT M6	8	
14	RUF500-0306000	DAMPER	2	
15	RUF500-0300001	SPACER,RUBBER	2	
16	GB/T 2672 M6X16	BOLT M6*16	14	
17	RUF500-3507001	SPACER,RUBBER	2	
18	RUF500-0301001	BODY PANEL	1	
19	RUF500-0301003	PANEL, REAR FENDER	1	
20	RUF500-0305001	BODY PANEL	1	
21	RUF500-0305003	PANEL, REAR FENDER	1	
22	RUF500-0300002	RIVET	26	
23	RUF500-0303000	REAR STORAGE LID	1	
24	RUF500-0301004	REFLECTOR	2	
25	RUF500-0307003	CABLE	2	
26	RUF500-0300004	CARGO BED MAT	1	
27	RUF500-0308000	door lock button	2	
28	GB/T97.1 D6	WASHER,D6	2	
29	GB/T93 D6	SPRING WASHER,D6	2	
30	GB/T6170 M6	NUT M6,FLANGE	2	
31	GB/T5781 M5*16	BOLT,M4*30	4	
32	RUF500-3200020R	cover, taillight hole	1	
33	RUF500-3200020L	cover, taillight hole	1	
34	GB/T5781 M8*35	NUT M8*35	2	
35	GB/T96 D8	WASHER,D8	2	
36	RUF500-0302101	RUBBER SPACER	2	
37	RUF500-0100025	SUPPORT BOARD ,SPRING	2	
38	RUF500-3507002	LABEL ,CARRIAGE	1	
39	RUF500-3507023	LABEL ,CARRIAGE GATE	1	
40	RUF500-3507021	STICKER,UTV	2	
41	GB/T845 ST2.9*13	BOLT M2.9*13	8	

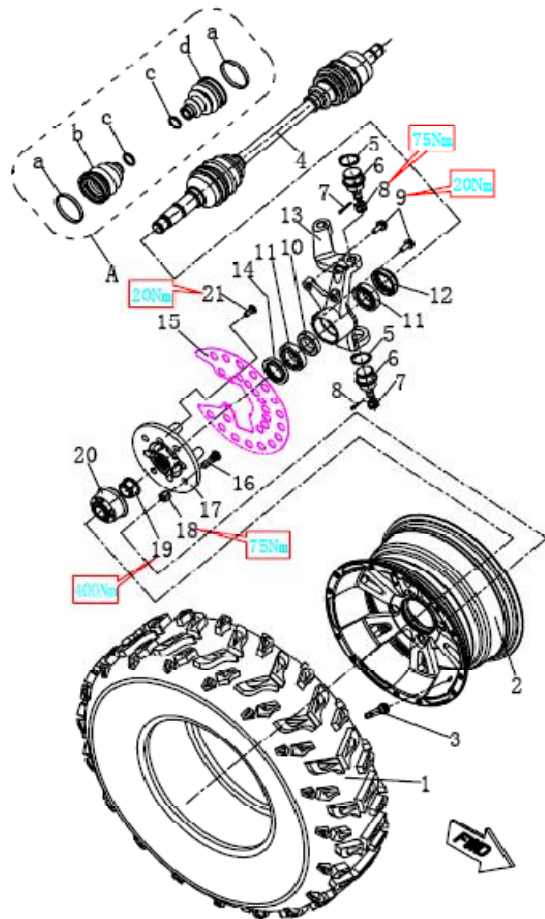
<< BACK

F4 - RUF500-0400000 FRONT WHEEL (LEFT)



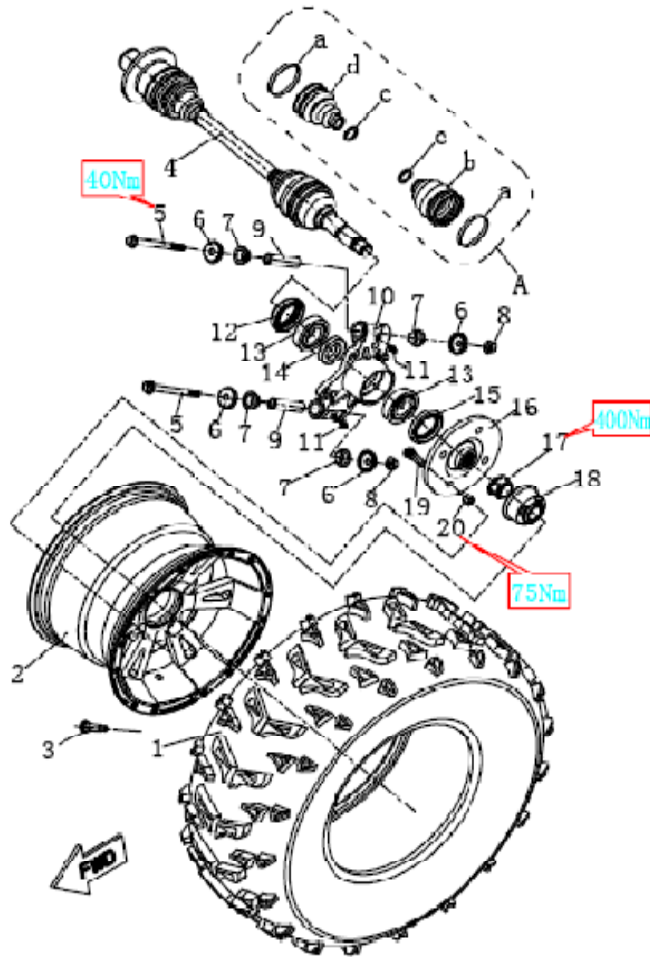
ITEM	PART CODE	DESCRIPTION	QTY	REMARKS
1	RUF500-0400005LA	TIRE25×8-12 NHS	1	
2	RUF500-0404000A	12X6.0AT WHEEL	1	
3	RUF500-0400012	VALVE, RIM	1	
4	RUF500-0401000	DRIVE SHAFT, LEFT FRONT WHEEL	1	
5	GB/T894.2 D32	CIRCLIP D32	2	
6	RUF500-0403000	BALL JOINT	2	
7	GB/T91 2.5*25	PIN 2.5*25	2	
8	GB/T9459 M12	NUT M12	2	
9	GB/T5789 M8*20	BOLT M8*20,FLANGE	2	
10	RUF500-0400009	COLLAR	1	
11	GB/T276 6006-Z	BEARING 6006-Z	2	
12	RUF500-0400010	OIL SEAL 38*55*8	1	
13	RUF500-0400011L	STEERING KNUCKLE	1	
14	RUF500-0400007	OIL SEAL 38*55*7	1	
15	RUF500-0903002	RING , WHEEL	1	
16	RUF500-0400001	BOLT, TIRE	4	
17	RUF500-0400006	FLANGE,FRONT	1	
18	RUF500-0400002	NUT,Ttire	4	
19	RUF500-0400004	nut, HALF SHAFT	1	
20	RUF500-0400003A	CAP,WHEEL	1	
21	RUF500-0400008	BOLT,FRONT BRAKE DISC	4	
A	RUF500-0401100	DUSTPROOF KITS ,SHAFT	1	

F5 - RUF500-0400000 FRONT WHEEL (RIGHT)



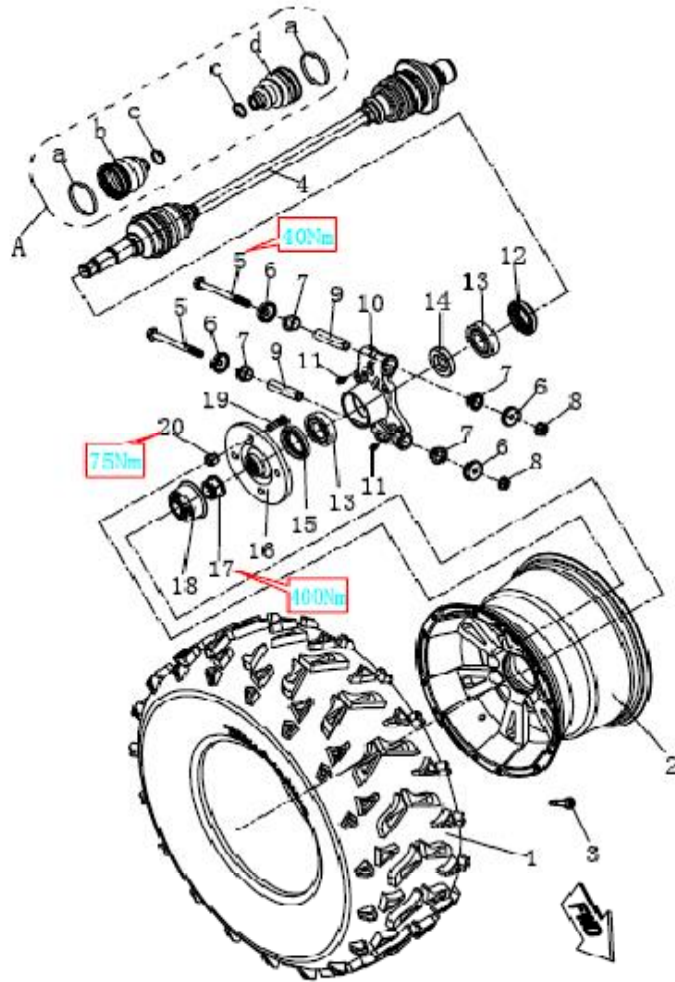
ITEM	PART CODE	DESCRIPTION	QTY	REMARKS
1	RUF500-0400005RA	TIRE25×8-12 NHS	1	
2	RUF500-0404000A	12X6.0AT WHEEL	1	
3	RUF500-0400012	VALVE RIM QMX	1	
4	RUF500-0402000	DRIVE SHAFT,RIGHT FRONT WHEEL	1	
5	GB/T894.2 D32	CIRCLIP D32	2	
6	RUF500-0403000	BALL JOINT	2	
7	GB/T91 2.5*25	PIN 2.5*25	2	
8	GB/T9459 M12	NUT M12	2	
9	GB/T5789 M8*20	BOLT M8*20,FLANGE	2	
10	RUF500-0400009	COLLAR	1	
11	GB/T276 6006-Z	BEARING 6006-Z	2	
12	RUF500-0400010	OIL SEAL 38*55*8	1	
13	RUF500-0400011R	STEERING KNUCKLE	1	
14	RUF500-0400007	OIL SEAL 38*55*7	1	
15	RUF500-0903002	RING , WHEEL	1	
16	RUF500-0400001	BOLT, TIRE	4	
17	RUF500-0400006	FLANGE,FRONT	1	
18	RUF500-0400002	NUT,Ttire	4	
19	RUF500-0400004	NUT, HALF SHAFT	1	
20	RUF500-0400003A	CAP,WHEEL	1	
21	RUF500-0400008	BOLT,FRONT BRAKE DISC	4	
A	RUF500-0401100	DUSTPROOF KITS ,SHAFT	1	

F6 - RUF500-0500000 REAR WHEEL (LEFT)



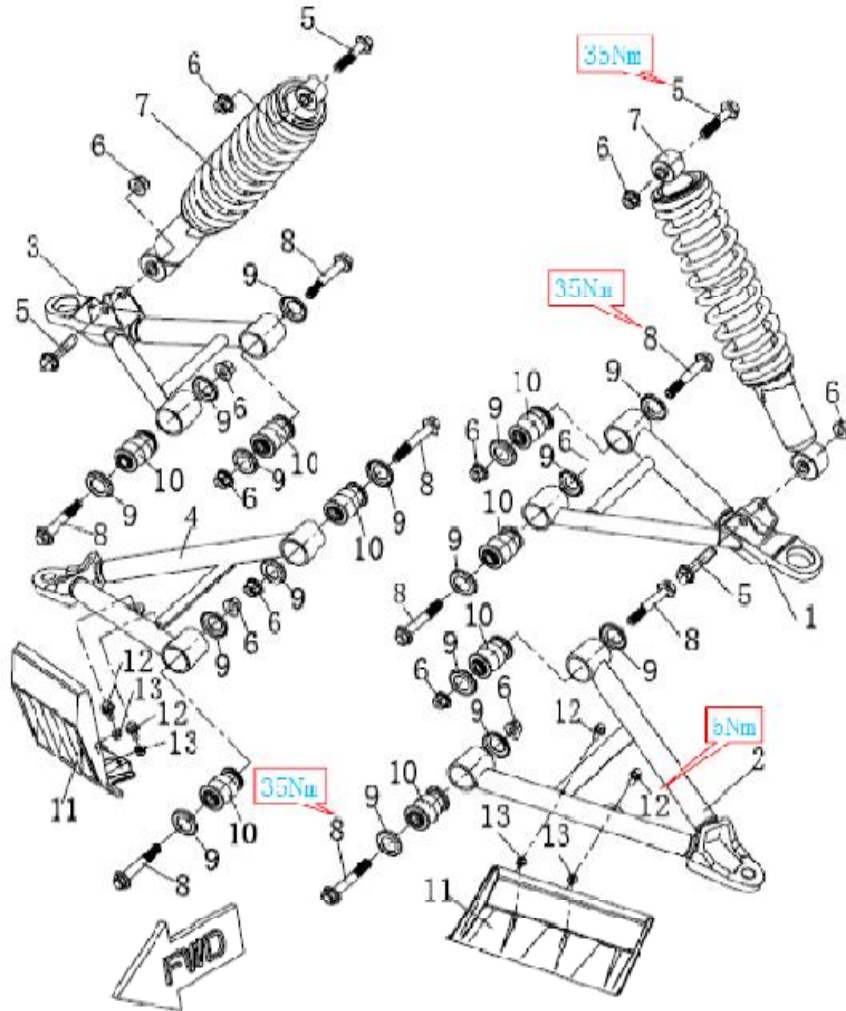
ITEM	PART CODE	DESCRIPTION	QTY	REMARKS
1	RUF500-0500007LA	TIRE25×10-12 NHS	1	
2	RUF500-0503000A	12X7.5AT WHEEL	1	
3	RUF500-0400012	VALVE, RIM QMX	1	
4	RUF500-0501000	DRIVE SHAFT, LEFT REAR WHEEL	1	
5	GB/T5789 M10*1.25*105	BOLT, FLANGE M10*1.25*105	2	
6	RUF500-0500100	COVER, THRUST	4	
7	RUF500-0500002	BUSH后	4	
8	GB/T6177.2M10*1.2	NUT, SELF-LOCKING M10*1.25	2	
9	RUF500-0500003	SPACER	2	
10	RUF500-0500005	TRAILING ARM/REAR KNUCKLE	1	
11	JB/T7940.1M6	NIPPLE, GREASE	2	
12	RUF500-0500006	OIL SEAL 38*62*8	1	
13	GB/T276 6206-Z	BEARING 6206-Z	2	
14	RUF500-0400009	COLLAR	1	
15	RUF500-0500004	OIL SEAL 42*62*7	1	
16	RUF500-0500001	FLANGE, REAR	2	
17	RUF500-0400004	nut, HALF SHAFT	1	
18	RUF500-0400003A	CAP, WHEEL	1	
	RUF500-0400003B			
19	RUF500-0400001	BOLT, TIRE	4	
20	RUF500-0400002	NUT, TIRE	4	
A	RUF500-0401100	DUSTPROOF KITS ,SHAFT	1	

F7 - RUF500-0500000REAR WHEEL (RIGHT)



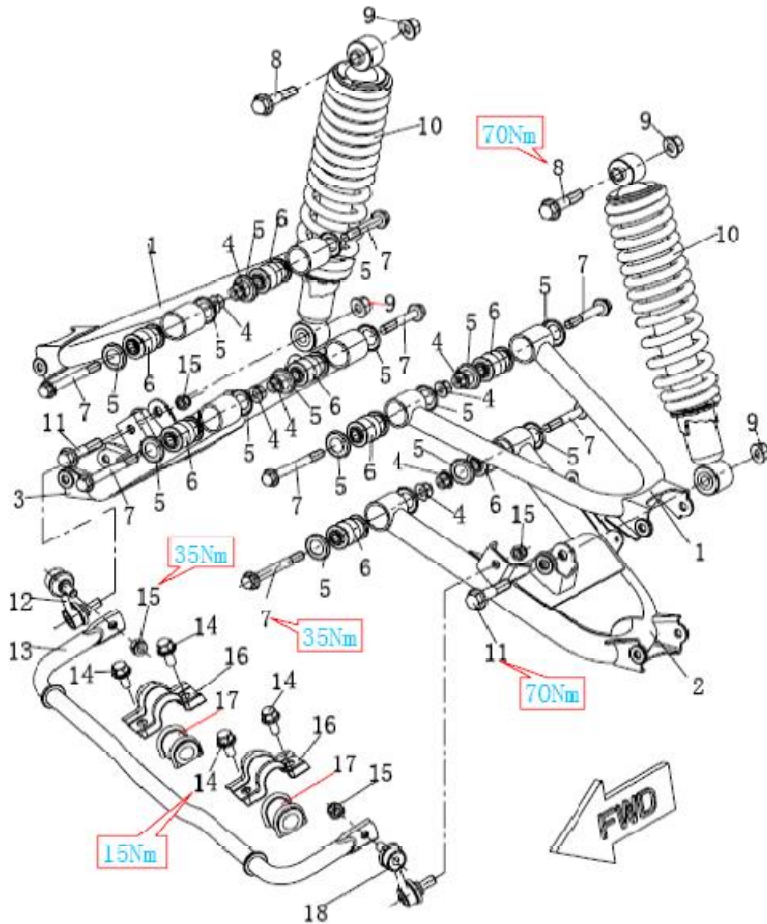
ITEM	PART CODE	DESCRIPTION	QTY	REMARKS
1	RUF500-0500007RA	TIRE25×10-12 NHS	1	
2	RUF500-0503000A	12X7.5AT WHEEL	1	
3	RUF500-0400012	VALVE, RIM QMX	1	
4	RUF500-0502000	DRIVE SHAFT, LEFT REAR WHEEL	1	
5	GB/T5789M10*105	BOLT, FLANGE M10*1.25*105	2	
6	RUF500-0500100	COVER, THRUST	4	
7	RUF500-0500002	BUSH	4	
8	GB/T6177.2M10*1.2	NUT, SELF-LOCKING M10*1.25	2	
9	RUF500-0500003	SPACER	2	
10	RUF500-0500005	TRAILING ARM/REAR KNUCKLE	1	
11	JB/T7940.1M6	NIPPLE, GREASE	2	
12	RUF500-0500006	OIL SEAL 38*62*8	1	
13	GB/T276 6206-Z	BEARING 6206-Z	2	
14	RUF500-0400009	COLLAR	1	
15	RUF500-0500004	OIL SEAL 42*62*7	1	
16	RUF500-0500001	FLANGE, REAR	2	
17	RUF500-0400004	nut, HALF SHAFT	1	
18	RUF500-0400003A	CAP, WHEEL	1	
	RUF500-0400003B			
19	RUF500-0400001	BOLT, TIRE	4	
20	RUF500-0400002	NUT,TIRE	4	
A	RUF500-0401100	DUSTPROOF KITS ,SHAFT	1	

F8 - RUF500-0600000FRONT ARM



ITEM	PART CODE	DESCRIPTION	QTY	REMARKS
1	RUF500-0601100L	FRONT UPPER ARMCOMP. (LEFT)	1	
2	RUF500-0602100L	FRONT NETHER ARM COMP. (LEFT)	1	
3	RUF500-0601100R	FRONT UPPER ARM COMP (RIGHT)	1	
4	RUF500-0602100R	FRONT NETHER ARM COMP. (RIGHT)	1	
5	GB/T5789M10*50	BOLT, FLANGE M10*1.25*50	4	
6	GB/T6177.2M10*1.2	NUT, SELF-LOCKING M10*1.25	12	
7	RUF500-0603000	FRONT SHOCK ABSORBER ASSY	2	
8	GB/T5789M10*70	BOLT,FLANGE M10*1.25*50	8	
9	RUF500-0601001	WASHER	16	
10	RUF500-0601200	BUSH	8	
11	RUF500-0600001	COVER, LOWER	2	
12	GB/T5789 M6*16	BOLT M6*16	4	
13	GB/T6177.1 M6	NUT, M6,FLANGE	4	
14				
15				
16				
17				
18				
19				
20				
21				
22				
23				
24				
25				

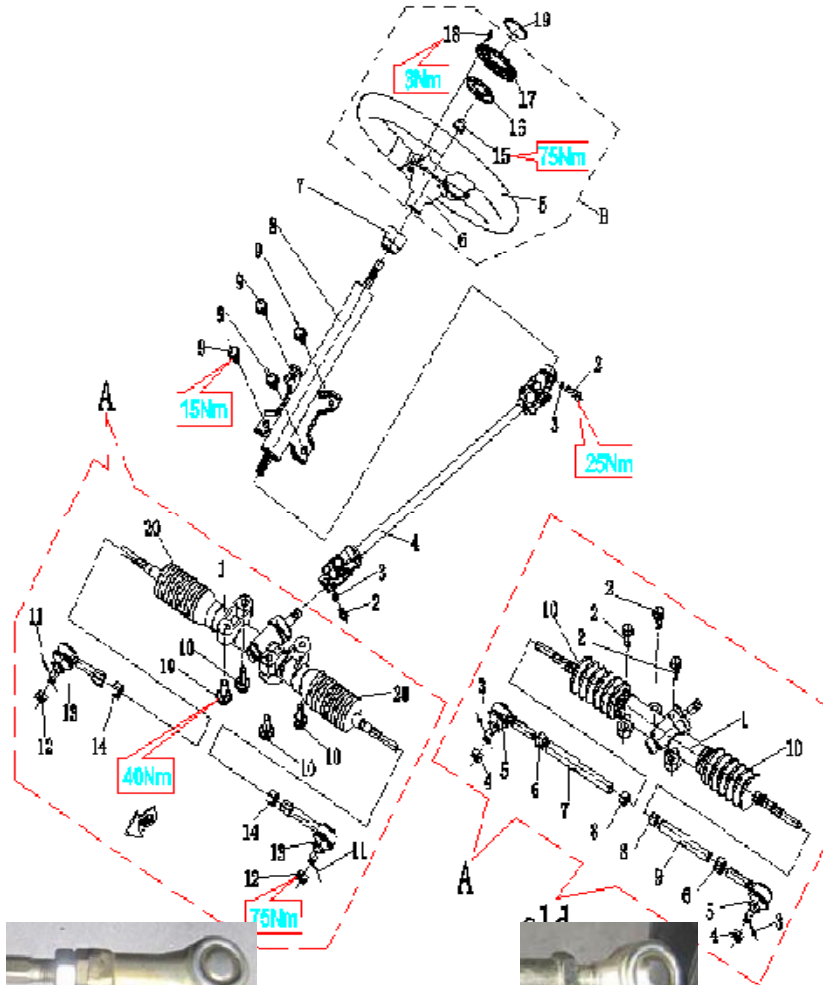
F9 - RUF500-0700000 REAR ARM



ITEM	PART CODE	DESCRIPTION	QTY	REMARKS
1	RUF500-0701100	REAR UPPER ARM COMP	2	
2	RUF500-0702100L	REAR NETHER ARM COMP. (LEFT)	1	
3	RUF500-0702100R	REAR NETHER ARM COMP. (RIGHT)	1	
4	GB/T6177.2 M10*1.	NUT,SELF-LOCKING M10*1.25	8	
5	RUF500-0601001	WASHER	16	
6	RUF500-0601200	BUSH	8	
7	GB/5789 M10*70	BOLT, FLANGE M10*1.25*70	8	
8	GB/T5789M12*65	BOLT, FLANGE M12*1.25*65	2	
9	GB/T6177.2 M12*1	NUT,SELF-LOCKING M12*1.25	4	
10	RUF500-0703000	REAR SHOCK ABSORBER ASSY	2	
11	GB/T5789M12*60	BOLT, FLANGE M12*1.25*60	2	
12	RUF500-0704200R	JOINT, SATBILIZER	1	
13	RUF500-0704100	BAR,STABILIZER	1	
14	GB/T5789M8*16	BOLT, FLANGE M8*16	4	
15	GB/T889.2M10*1.25	NUT, SELF-LOCKING	4	
16	RUF500-0704002	COVER,STABILIZER	2	
17	RUF500-0704001	BUSH, STABILIZER FRONT	2	
18	RUF500-0704200L	JOINT, STABILIZER	1	

F10 - RUF500-080000 STEERING

<< BACK



13- RUF500-0803300B



5- RUF500-0803300



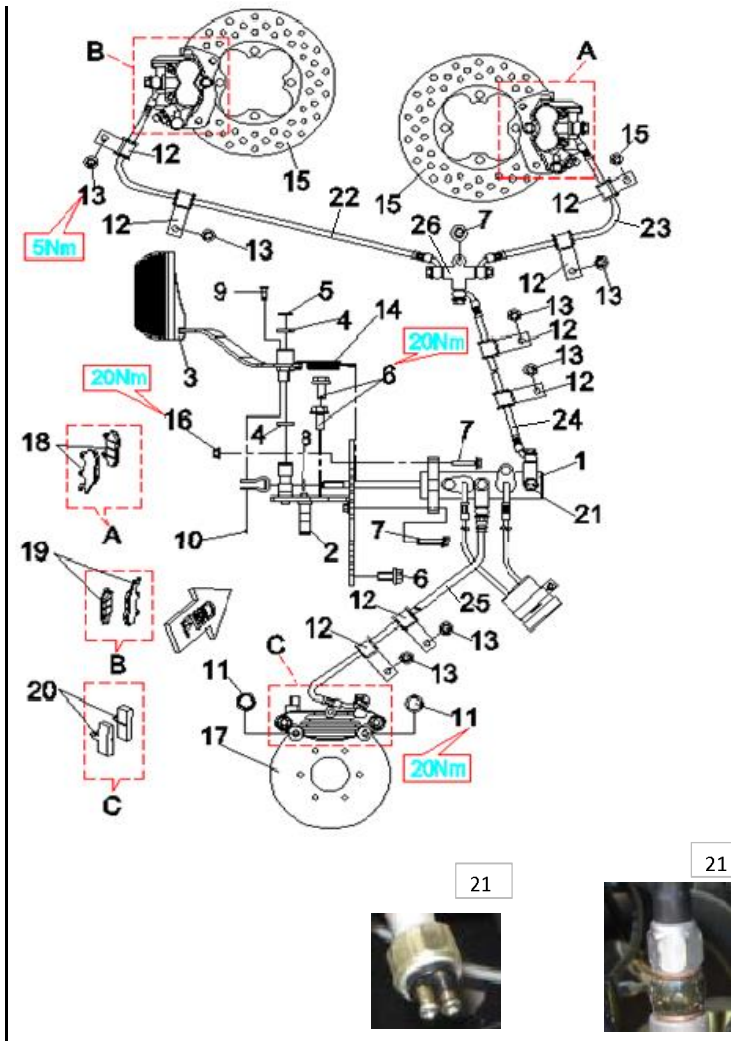
1 - RUF500-0804100-A



1 - RUF500-0804100-B

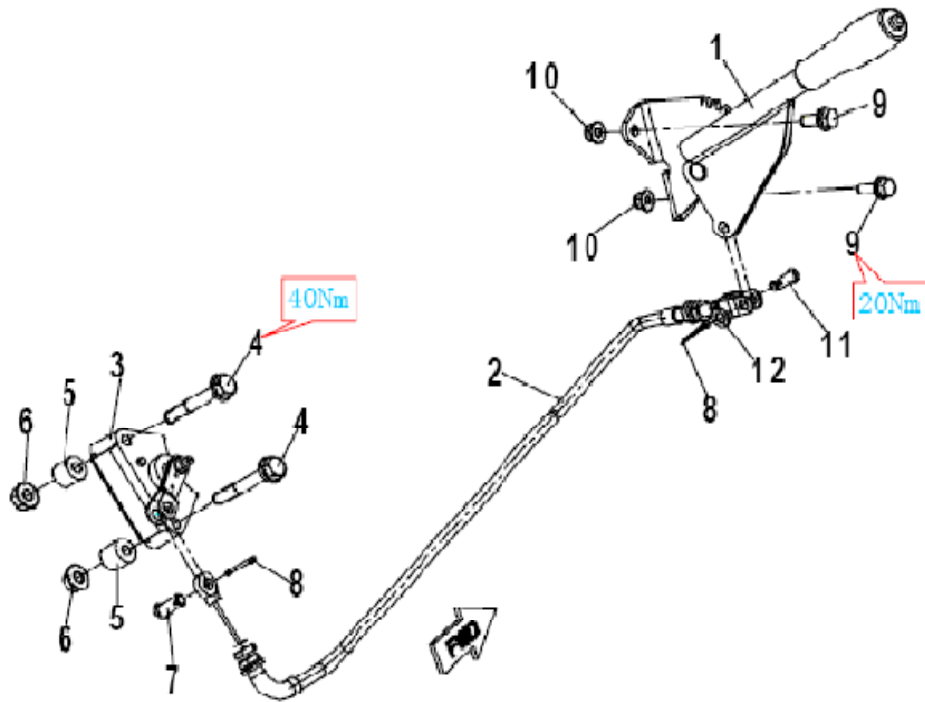
ITEM	PART CODE	DESCRIPTION	QTY	REMARKS
A	RUF500-0804000B	STEERING ASSY II	1	
1	RUF500-0804100B	STEERING ASSY II	1	
2	GB/T5781 M8X25	BOLT M8X25	2	
3	GB/T93 φ8	WASHERφ 8	2	
4	RUF500-0803000A	STEERING SHAFT ASSY I	1	
	RUF500-0803000B	STEERING SHAFT ASSY II	1	
B	RUF500-0801000	WHEEL, STEERING ASSY	1	
	RUF500-0801000A	WHEEL , STEERING ASSY(BLACK AND ORANGE)	1	
5	RUF500-0801100	WHEEL, STEERING	1	
	RUF500-0801100A	WHEEL, STEERING(BLACK AND ORANGE)	1	
6	RUF500-0801001	CAP Holder,weel steering	1	
7	RUF500-0800001	STEERING COLUMN, COVER	1	
8	RUF500-0802000	COLUMN, STEERING	1	
9	GB/T5789 M8X16	BOLT M8X16, FLANGE	4	
10	GB/T5789 M10*1.25*30	BOLT M10X1.25X30, FLANGE	4	
11	GB/T91 2.5X25	PIN 2.5X25, COTTER	2	
12	GB/T9549 M12*1.25	NUT M12, CASTLE	2	
13	RUF500-0803300B	JOINT, UNIVERSAL II	2	
14	GB/T6171 M14*1.5L	NUT M14X1.5L	2	
15	GB/T6185.2 M12*1.25	NUT M12X1.25, SELF-LOCKING	1	
16	RUF500-0801002	SEALING CAP	1	
17	RUF500-0801003	CAP	1	
18	GB/T70 M5*10	SCREW,M5*10	6	
19	RUF500-0800002	GOES STICKER	1	
20	RUF500-0804003B	DUSTPROOF RUBBER COVER	2	
OLD				
A	RUF500-0804000A	STEERING ASSY I	1	
1	RUF500-0804100A	STEERING ASSY I	1	
2	GB/T5789 M10*1.25*30	BOLT M10X1.25X30, FLANGE	3	
3	GB/T91 2.5X25	PIN 2.5X25, COTTER	2	
4	GB/T9549 M12*1.25	NUT M12, CASTLE	2	
5	RUF500-0803300	JOINT, UNIVERSAL	2	
6	GB/T6185.2 M12*1.25	NUT M12X1.25, SELF-LOCKING	2	
7	RUF500-0804002	PULL ROAD (RIGHT)	1	
8	GB/T6171 M14*1.5L	NUT M14X1.5L	2	
9	RUF500-0804001	PULL ROAD (LEFT)	1	
10	RUF500-0804003A	DUSTPROOF RUBBER COVER	2	

F11 -RUF500-0900000 BRAKE SYSTEM



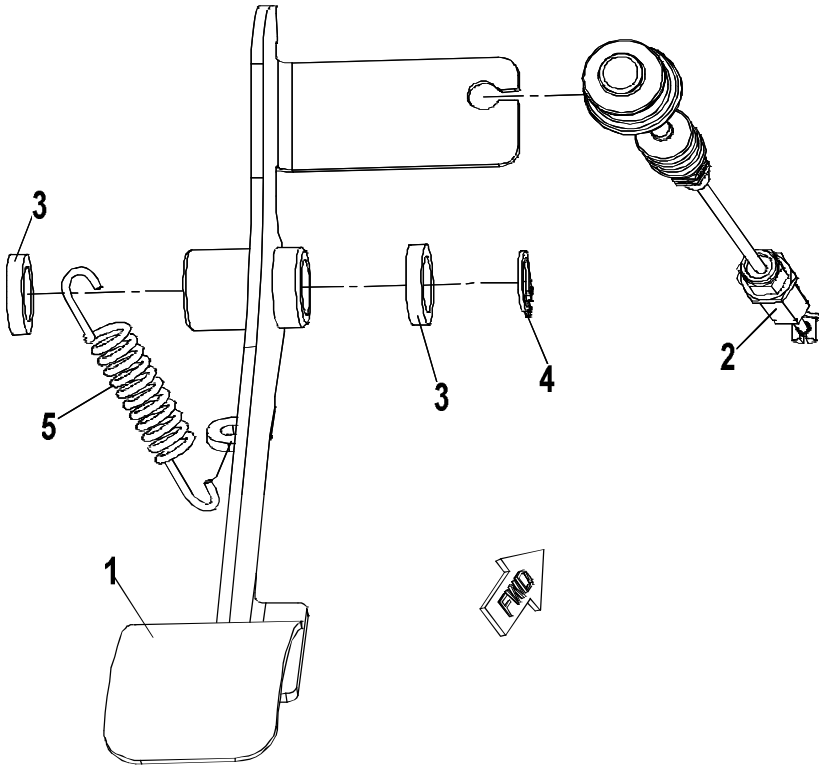
ITEM	PART CODE	DESCRIPTION	QTY	REMARKS
1	RUF500-0903000	BRAKE ASSY	1	1ST VERSION
	RUF500-0903000B	BRAKE ASSY	1	2ND VERSION
2	RUF500-0901000	BRAKE SUPPORT ASSY	1	
3	RUF500-0902000	BRAKE PANEL ASSY	1	
4	RUF500-0900002	WASHER, FLATE	2	
5	GB/T 894.1 14	CIRCLIP 14	1	
6	GB/T 5789 M8*16	BOLT, FLANGE M8*16	3	
7	GB/T 5789 M8X30	BOLT, FLANGE M8*30	3	
8	GB/T 6172 M8	NUT M8	2	
9	GB/T 882 6X18	AXLE, PIN 6X18	1	
10	GB/T 91 2X16	PIN 2X16	1	
11	GB/T5789 M10X1.25X16	BOLT, FLANGE M10*1.25*16	2	
12	RUF500-0903005	CLAMP	6	
13	GB/T5789 M6*16	BOLT, FLANGE M6*16	6	
14	RUF500-0900001	SPRING	1	
15	RUF500-0903002	FRONT BRAKE DISC	2	
16	GB/T6177.1 M8	NUT M8,FLANGE	2	
17	RUF500-0903001	REAR BRAKE DISC	1	
18	RUF500-0903101	front brake pad ,front right	1	
19	RUF500-0903102	front brake pad, front left	1	
20	RUF500-0903103	rear brake pad	1	
21 A	RUF500-09030010	SWTICH,BRAKE LIGHTS	1	1ST VERSION
21 B	RUF500-09030010B	SWTICH,BRAKE LIGHTS	1	2ND VERSION
A	RUF500-0903201	brake caliper, front right	1	
B	RUF500-0903202	brake caliper, front left	1	
C	RUF500-0903203	brake caliper, rear	1	
22	RUF500-L850	left brake fluid pipe	1	
23	RUF500-L650	right brake fluid pipe	1	
24	RUF500-L370	middle brake fluid pipe	1	
25	RUF500-L2550	rear brake fluid pipe	1	
26	RUF500-0903204	T-adapter	1	

F12 - RUF500-100000 STEERING



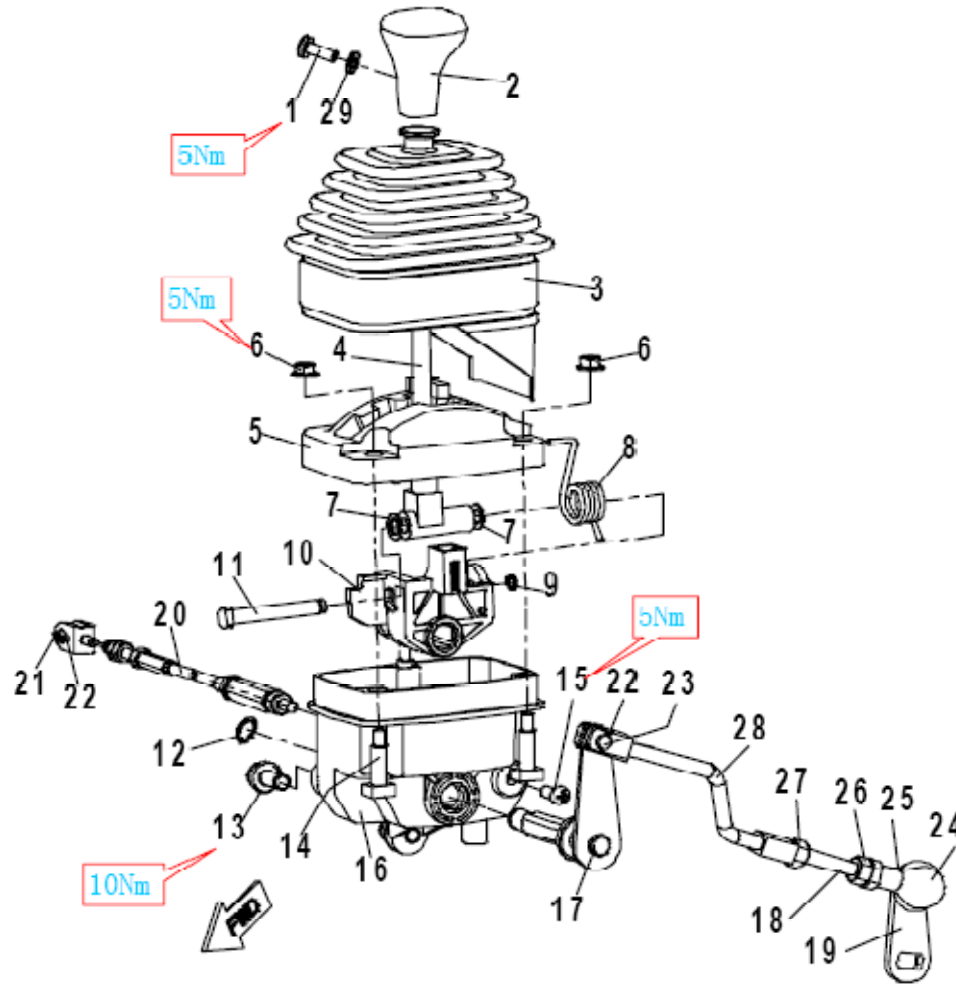
ITEM	PART CODE	DESCRIPTION	QTY	REMARKS
1	RUF500-1001000	HAND BRAKE	1	
2	RUF500-1003000	CABLE HAND	1	
3	RUF500-1002000	BRAKE ARRSTER	1	
4	GB/T5789M10*70	BOLT, FLANGE 10*1.25*70	2	
5	RUF500-1000001	BRAKE ARRSTER COVER	2	
6	GB/T6177.2 M10*1	NUT M10*1.25	2	
7	GB/T 882 8X24	AXLE, PIN 10*24	1	
8	GB/T 91 2.5X30	PIN 2.5*30	2	
9	GB/T 5789 M8*20	BOLT, FLANGE M8*20	2	
10	GB/T 6177.1 M8	NUT M8	2	
11	GB/T 882 6X16	PIN"B", 6*16	1	
12	GB/T 97.1 D8	WASHER, FLATE	1	

F13 - RUF500-110000 STEERING



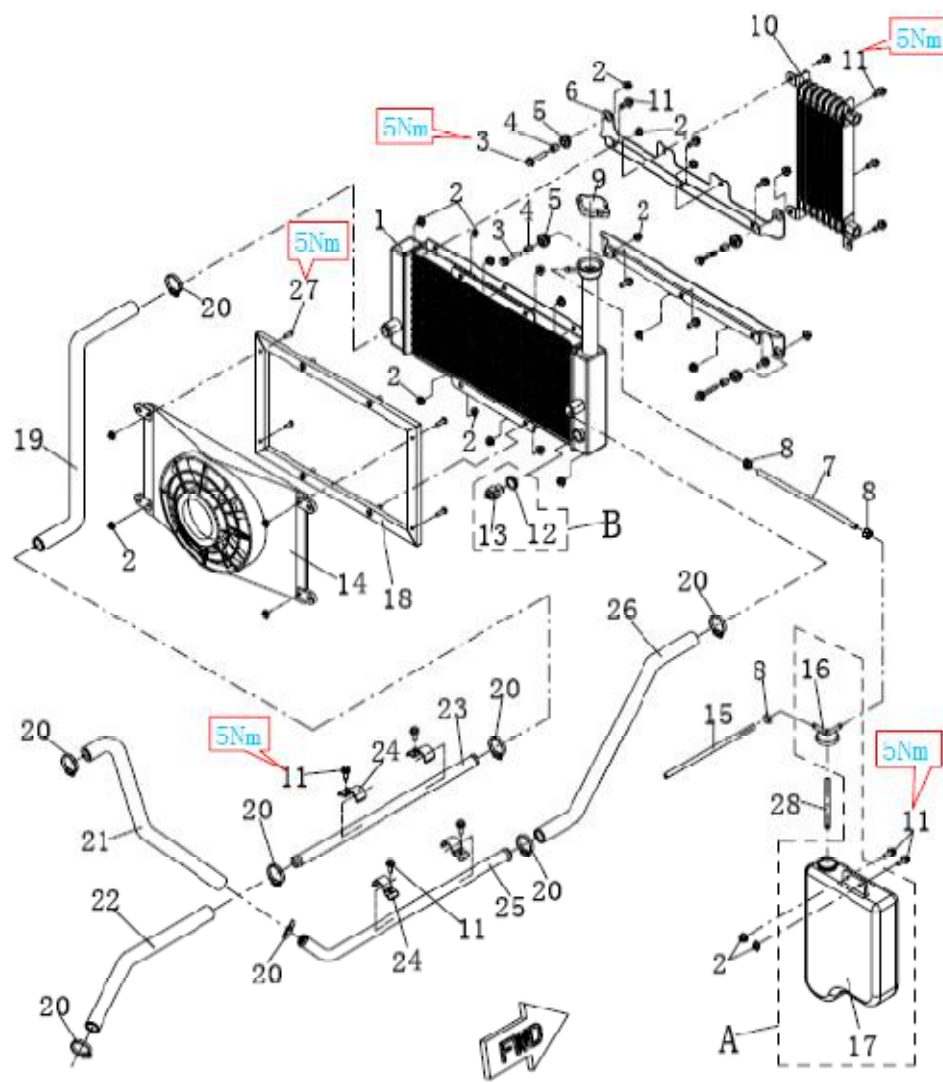
ITEM	PART CODE	DESCRIPTION	QTY	REMARKS
1	RUF500-1101000	ACCELERATOR PANEL ASSY.	1	
2	RUF500-1102000	CABLE, ACCELEROGRAPH	1	
3	RUF500-0900002	WASHER, FLATE	2	
4	GB/T 894.1 14	CIRCLIP, AXLE 14	1	
5	RUF500-0900001	SPRING	1	

F14 - RUF500-1200000 SHIFT SHAFT



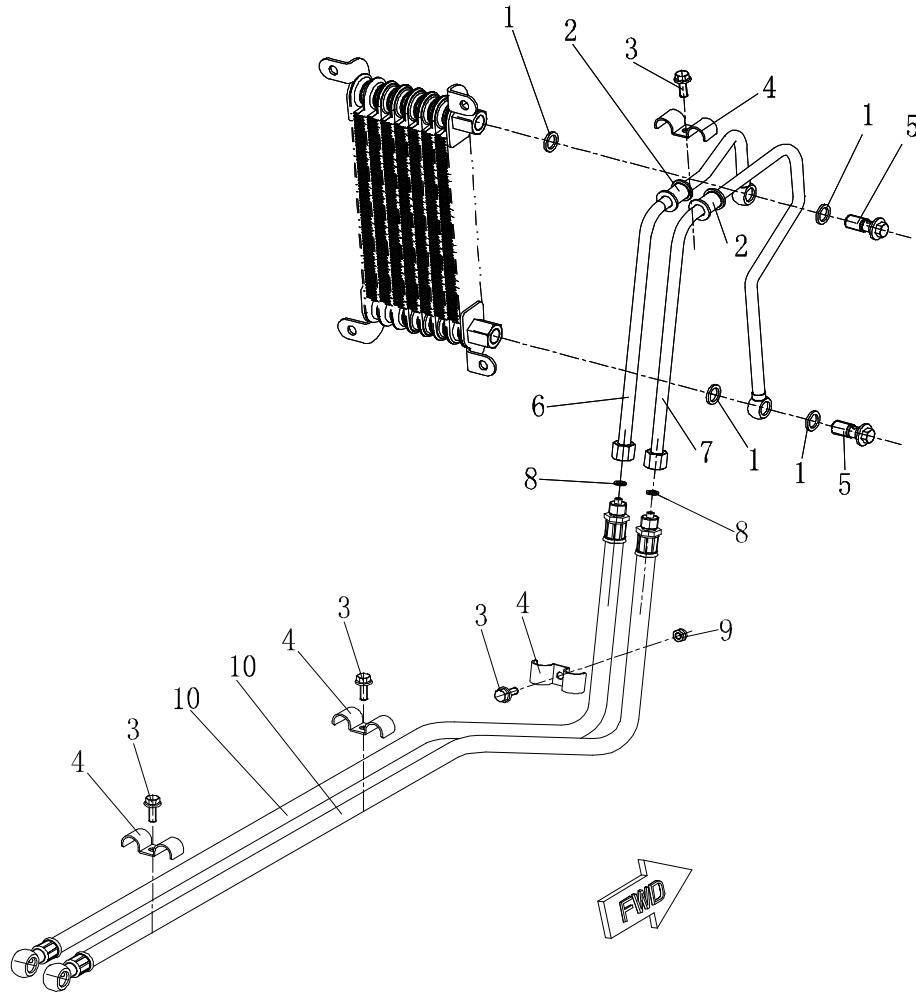
ITEM	PART CODE	DESCRIPTION	QTY	REMARKS
1	GB?T818 M6*16	NUT M6*16,STAINLESS STEEL	1	
2	RUF500-1201001	KNOB, SHIFT LEVER	1	
3	RUF500-1201002	BOOT, SEALING	1	
4	RUF500-1201100	SHIFT SHAFT	1	
5	RUF500-1201003	COVER	1	
6	GB/T 6177.1 M6	BOLT, FLANGE M6	3	
7	RUF500-1201004	WASHER	2	
8	RUF500-1201005	SPRING	1	
9	GB/T 894.1 7	SPRING WASHER 7	1	
10	RUF500-1201006	RETAINER, SHIFT SHAFT	1	
11	RUF500-1201007	SHIFT JOY STICK AXLE	1	
12	GB/T894.110	SPRING WASHER 10	1	
13	GB/T5789 M8*16	BOLT M8*16	3	
14	RUF500-1201010	BOLT, SHIFT SHAFT	3	
15	GB/T818M6*16	BOLT M6*16	1	
16	RUF500-1201011	SHIFT BOX	1	
17	RUF500-1201200	SHIFT ARM AXLE	1	
18	RUF500-1203001	SHIFT PULL STAFF	1	
19	RUF500-1203002	ENGINE SHIFT PATCH	1	
20	RUF500-1202000	SHIFT LINE	1	
21	GB/T 882 6X16	B PIN 6*16	1	
22	GB/T 91 2X20	PIN 2*20	2	
23	RUF500-1200001	PIN, CONNECTION	1	
24	RUF500-1203200	BULB	1	
25	GB/T 6177.1 M8	BOLT, FLANGE M8	1	
26	GB/T41M8	NUT M8	1	
27	GB/T41M8L	NUT M8L	1	
28	RUF500-1203100	SHIFT PULL STAFF	1	
29	GB/T97.1 D6	WASHER D6,FLATE	1	

F15 - RUF500-1400000 RADIATOR HOSE



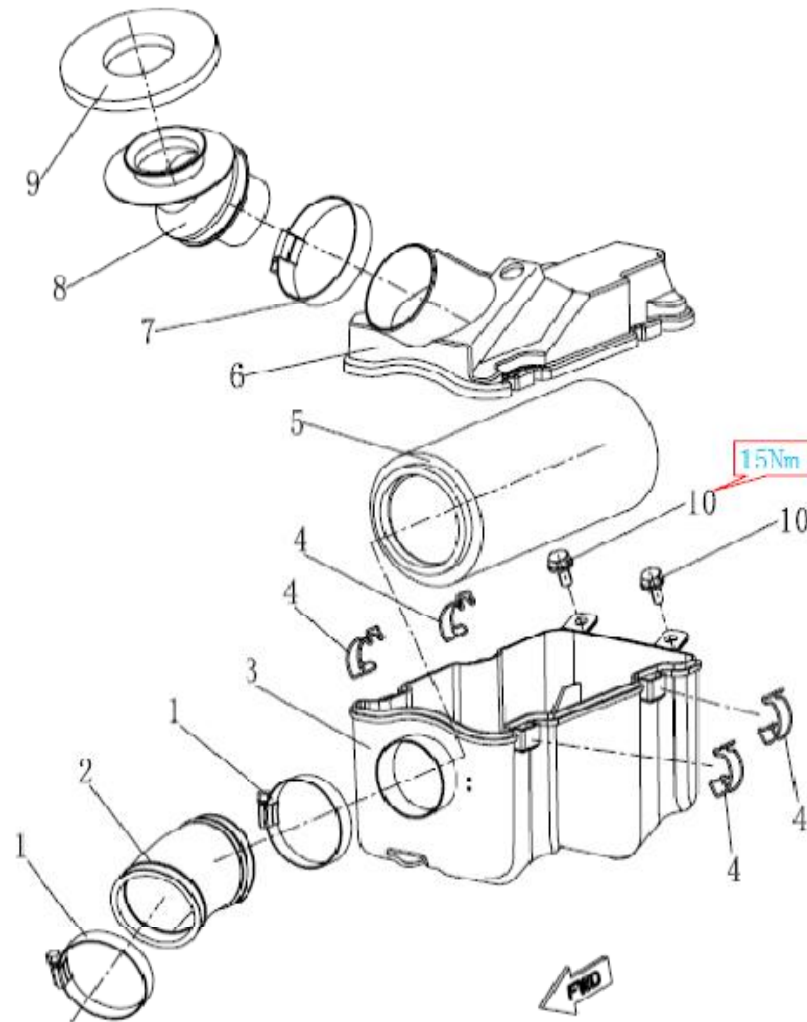
ITEM	PART CODE	DESCRIPTION	QTY	REMARKS
1	RUF500-1401200	RADIATOR ASSY	1	
2	GB6177.1 M6	NUT M6, FLANGE M6	24	
3	GB/T5789M6X25	BOLT M6X25, FLANGE	4	
4	RUF500-1401003	COLLAR	4	
5	RUF500-1401004	GROMMET	4	
6	RUF500-1401002	BRACKET(part of radiator)	2	
7	RUF500-1400016	HOSE (L1000)	1	
8	Q673B 11	CLIP D11	3	
9	RUF500-1401201	CAP, RADIATOR	1	
10	RUF500-1401100	OIL COOLER ASSY	1	
11	GB/T5789 M6X16	BOLT M6X16, FLANGE	16	
B	RUF500-1401600		1	
12	GB/T3452 26.5*1.4	O-RING 26.5X1.4	1	
13	QT07	TEMPERATURE DETECT SWITCH	1	
14	RUF500-1401300	BLOWER ASSY	1	
15	RUF500-1400015	HOSE (L1000)	1	
A	RUF500-1400300	CAP	1	
16	RUF500-1400302	CAP	1	
17	RUF500-1400301	TANK, RECOVERY	1	
18	RUF500-1401500	BLOWER ASSY Bracket fixing	1	
19	RUF500-1400005	HOSE , RADIATOR OUT	1	
20	JD25-32mm	HOSE CLAMP ASSY 25-32mm	8	
21	RUF500-1400012	HOSE , ENG OUT	1	
22	RUF500-1400011	HOSE , ENG IN	1	
23	RUF500-1400009	PIPE, WATER	1	
24	RUF500-1400007	CLAMP	4	
25	RUF500-1400010	PIPE, WATER	1	
26	RUF500-1400004	HOSE , RADIATOR IN	1	
27	GB/T70.1 M6*16	BOLT M6*16	4	
28	RUF500-1400303	HOSE	1	

F16 - RUF500-1402000 RADIATOR HOSE



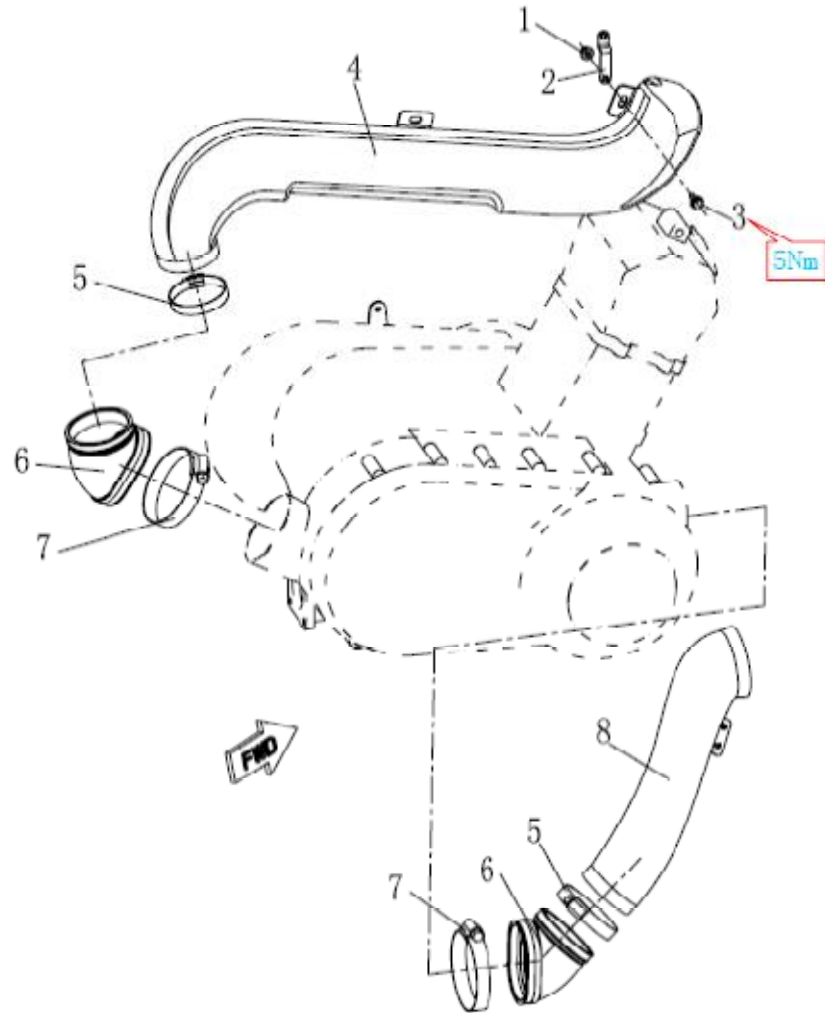
ITEM	PART CODE	DESCRIPTION	QTY	REMARKS
1	RUF500-1402002	O-RING	4	
2	RUF500-1402004	HOSE	2	
3	GB/T5789 M6X16	BOLT M6X16, FLANGE	4	
4	RUF500-1402005	CLAMP	4	
5	RUF500-1402001	HINGE BOLT	2	
6	RUF500-1402200	OIL PIPE COMP.	1	
7	RUF500-1402100	OIL PIPE COMP.	1	
8	RUF500-1402003	O-RING	2	
9	GB/T6177.1 M6,	NUT M6, FLANGE	4	
10	RUF500-1402300	OIL PIPE COMP.	2	
11				
12				
13				
14				
15				
16				
17				
18				
19				
20				
21				
22				
23				
24				
25				

F17 - RUF500-1501000 INTAKE



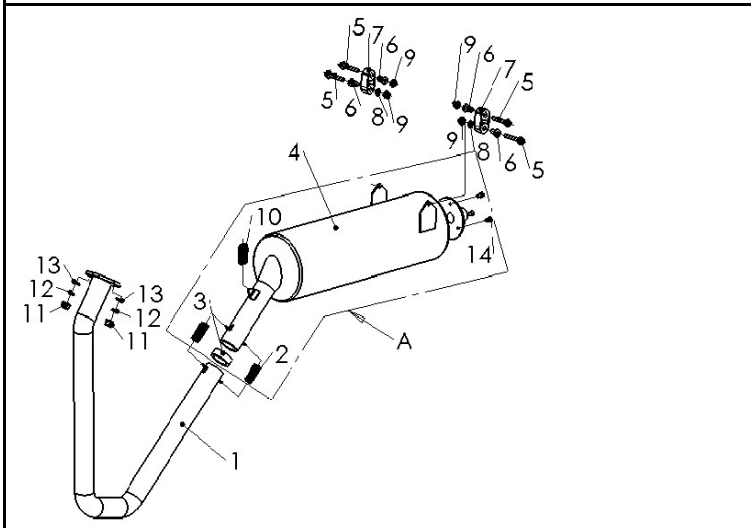
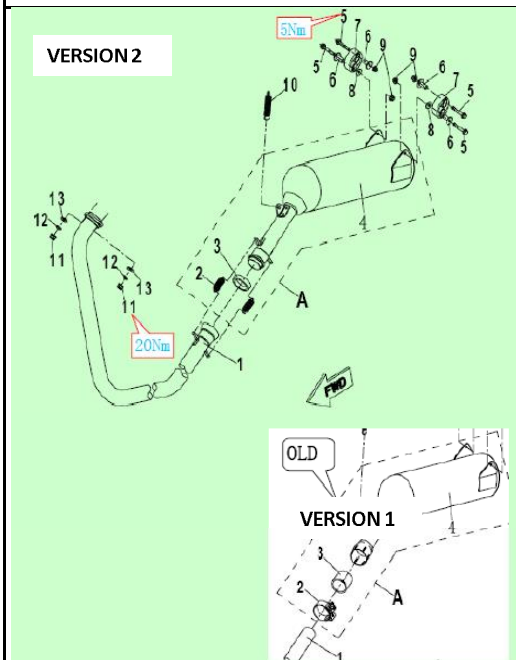
ITEM	PART CODE	DESCRIPTION	QTY	REMARKS
1	JD51-70mm	HOSE CLAMP ASSY	2	
2	RUF500-1501001	JOINT, AIR CLEANER	1	
3	RUF500-1501008	CASE, AIR CLEANER	1	
4	RUF500-1501009	CLIP, CAP FITTING	4	
5	RUF500-1501100	AIR CLEANER	1	
6	RUF500-1501007	CAP, CLEANER CASE	1	
7	JD64-76mm	HOSE CLAMP ASSY	1	
8	RUF500-1501004	DUCT	1	
9	RUF500-1501005	SEAL	1	
10	GB/T5789M8*16	BOLT M8X16, FLANGE	2	

F18 - RUF500-1502000 DUCT



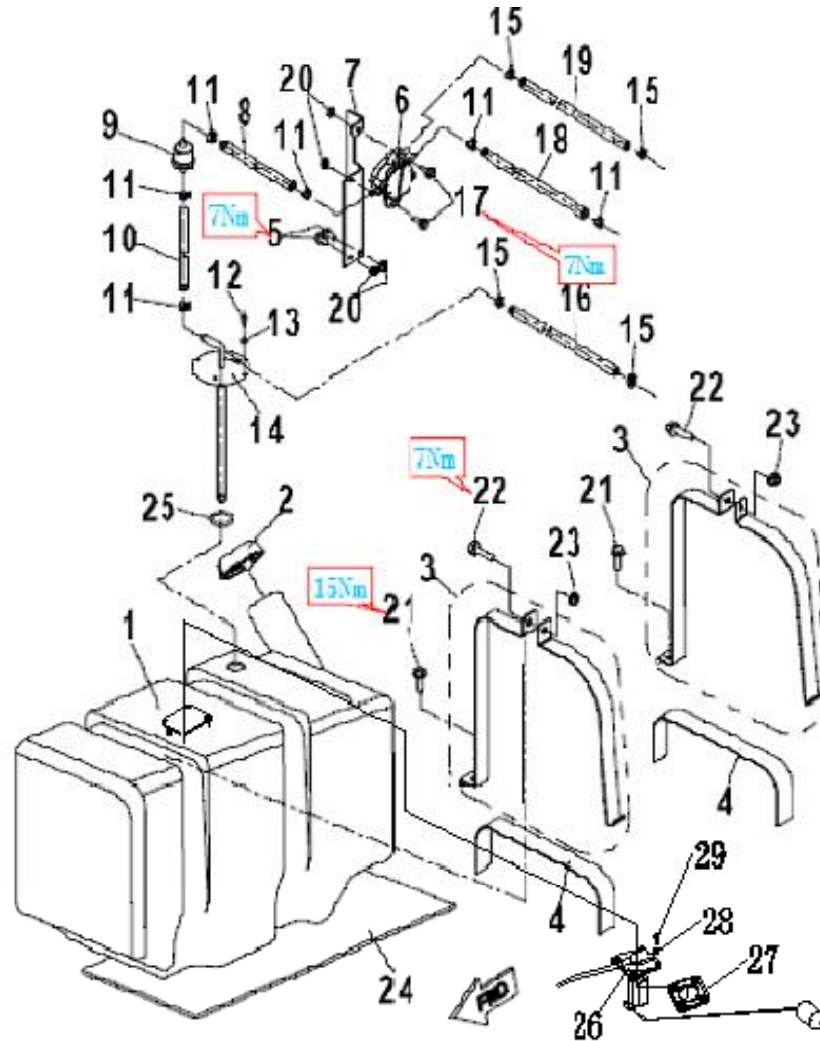
ITEM	PART CODE	DESCRIPTION	QTY	REMARKS
1	GB/T6177.1 M6	NUT M6, FLANGE	1	
2	RUF500-1502003	PLATE	1	
3	GB/T5789 M6X16	BOLT M6X16, FLANGE	1	
4	RUF500-1502005	DUCT, AIR	1	
5	JD 70-89mm	HOSE CLAMP ASSY	2	
6	RUF500-1502002	SEAL, AIR DUCT	2	
7	JD 80-100mm	HOSE CLAMP ASSY	2	
8	RUF500-1502001	DUCT, AIR	1	

F19 - RUF500-1600000 EXHAUST => 3 VERSIONS



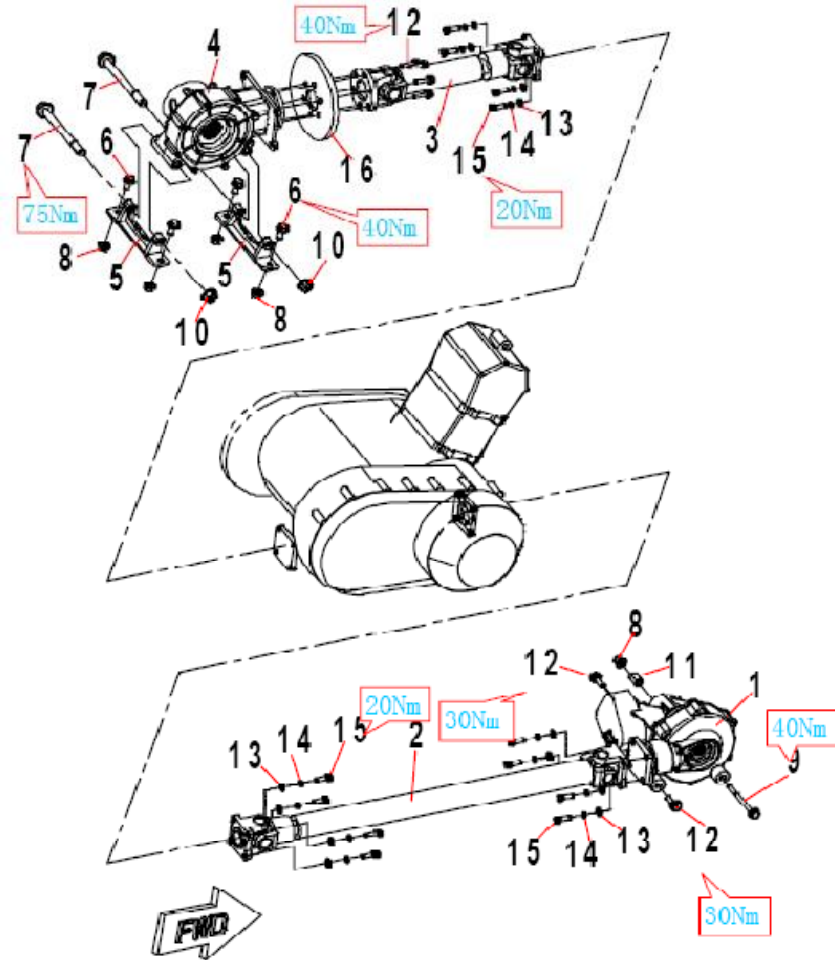
ITEM	PART CODE	DESCRIPTION	QTY	REMARKS
VERSION 2 (Soft joint)				
1	RUF500-1601000B	PIPE, EXHAUST	1	
A	RUF500-1604000B	MUFFLER ASSY	1	
2	RUF500-1600008	SPRING	2	
3	RUF500-1600007B	SPACER, EXHAUST	1	
4	RUF500-1602000B	MUFFLER	1	
5	GB5789 M6X40	BOLT M6X40, FLANGE	4	
6	RUF500-1600006	BUSH	4	
7	RUF500-1600005	DAMPER, MUFFLER	2	
8	GB/T97.1 Φ6	WASHER Φ6,FLATE	2	
9	GB6177.1 M6	NUT M6, FLANGE	4	
10	RUF500-0900001	SPRING	1	
11	GB6187.1 M8	NUT M8, FLANGE	4	
12	GB/T93 Φ8	SPRING WASHER Φ8	2	
13	GB/T97.1 Φ8	WASHER Φ8,FLATE	2	
VERSION 1 (Hard joint)				
A	RUF500-1604000	MUFFLER ASSY	1	
1	RUF500-1601000	PIPE, EXHAUST	1	
2	RUF500-1603000	CLIP, EXHAUST	1	
3	RUF500-1600007	SPACER, EXHAUST	1	
4	RUF500-1602000	MUFFLER	1	
VERSION 3 (Soft joint short exhaust)				
1	RUF500-1601000C	PIPE, EXHAUST	1	
A	RUF500-1604000C	MUFFLER ASSY	1	
2	RUF500-1600008	SPRING	2	
3	RUF500-1600007B	SPACER, EXHAUST	1	
4	RUF500-1602000C	MUFFLER ASSY	1	
5	GB5789 M6X40	BOLT M6X40, FLANGE	4	
6	RUF500-1600006	BUSH	4	
7	RUF500-1600005	DAMPER, MUFFLER	2	
8	GB/T97.1 Φ6	WASHER Φ6,FLATE	2	
9	GB6177.1 M6	NUT M6, FLANGE	4	
10	RUF500-0900001	SPRING	1	
11	GB6187.1 M8	NUT M8, FLANGE	4	
12	GB/T93 Φ8	SPRING WASHER Φ8	2	
13	GB/T97.1 Φ8	WASHER Φ8,FLATE	2	
14	GB/T70.1 Φ5	BOLT Φ5	3	

F20 - RUF500-1700000 FUEL TANK



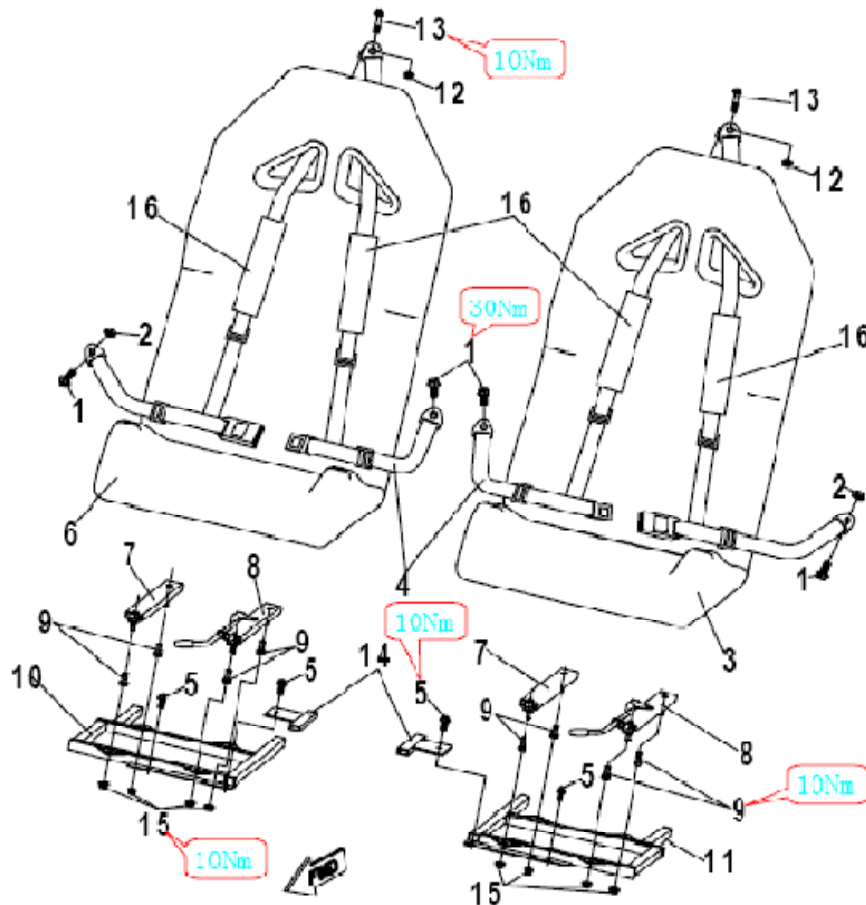
ITEM	PART CODE	DESCRIPTION	QTY	
1	RUF500-1701100	TANK, FUEL	1	Without Gauge
	RUF500-1701100-B	TANK, FUEL	1	with Gauge
2	RUF500-1701200	CAP ASSY	1	Without Gauge
	RUF500-1701200-B	CAP ASSY	1	with Gauge
3	RUF500-1700001	STAY, FUEL TANK	2	
4	RUF500-1700002	DAMPER, PLATE	2	
5	GB/T5789M8*16	BOLT M8X16, FLANGE	2	
6	RUF500-1702000	FUEL PUMP ASSY	1	
7	RUF500-1700003	SUPPORT ,FUEL PUMP	3	
8	RUF500-1700004	PIPE, FUEL	1	
9	RUF500-1703000	FILTER ASSY	1	
10	RUF500-1700005	PIPE, FUEL	1	
11	Q673B 12	CLIP D12	6	
12	GB/T818 M5*12	PIN M5X12	4	
13	GB/T97.1 D5	WASHER D5,FLATE	4	
14	RUF500-1701300	STRAW,OIL TANK	1	
15	Q673B D10	CLIP D10	4	
16	RUF500-1700006	PIPE ,FUEL	1	
17	GB/T5789 M6*20	BOLT M6*20,FLANGE	2	
18	RUF500-1700007	PIPE, FUEL	1	
19	RUF500-1700008	HOSE ,AIR	1	
20	GB/T6177.1 M6	NUT M6,FLANGE	4	
21	GB/T5789M8*16	BOLT M8X16, FLANGE	2	
22	GB/T5789 M8*30	BOLT M8X30, FLANGE	2	
23	GB/T6177.1 M8	NUT M8,FLANGE	2	
24	RUF500-1700009	RUBBER PAD ,OIL TANK	1	
25	GB/T3452 21.2*3.5	O-RING 21.2X3.5	1	
26	RUF500-1700010	Fuel gauge sensor	1	
27	RUF500-1700011	RUBBER	1	
28	GBT/848 6	Washer, Φ12XΦ6X1	4	
29	GB/T818 M5*16	PIN M5X16	4	

F21 - RUF500-1800000 DRIVE SHAFT



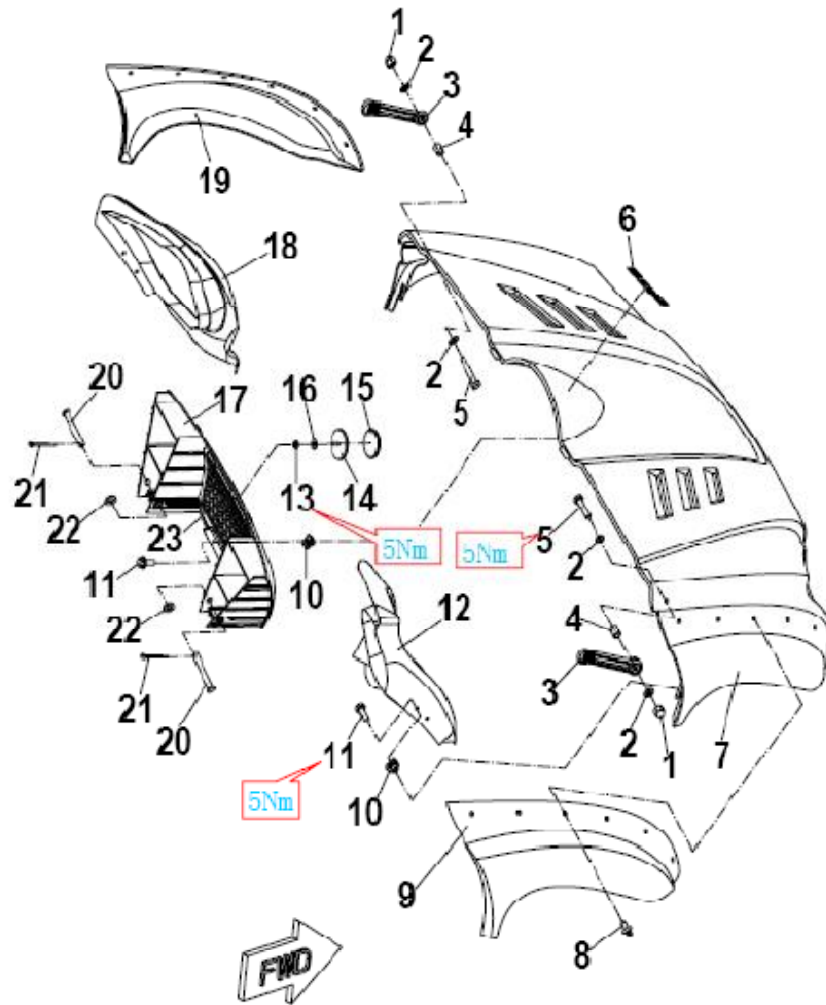
ITEM	PART CODE	DESCRIPTION	QTY	REMARKS
1	RUF500-1803000	DIFFERENTIAL	1	
2	RUF500-1801000	DRIVE SHAFT (FRONT)	1	
3	RUF500-1802000	DRIVE SHAFT (REAR)	1	
4	RUF500-1804000	GEAR CASE	1	
5	RUF500-1800001	STATOR, GEAR CASE	2	
6	GB/T5789M10*25	BOLT, FLANGE M10*1.25*25	4	
7	GB/T5789M12*140	BOLT, FLANGE M12*1.25*140	2	
8	GB/T6177.1M10*1.25	NUT M10*1.25,FLANGE	5	
9	GB/T5789M10*115	BOLT, FLANGE M10*1.25*115	1	
10	GB/T 6177.1 M12*	NUT M12*1.25	2	
11	RUF500-1800002	COVER	1	
12	GB/T 5789 M10*1.25*30	BOLT, FLANGE M10*1.25*30	8	
13	GB/T 97.1 D8	WASHER, FLATE D8	12	
14	GB/T 93 D8	SPRING WASHER D8	12	
15	GB/T5781 M8*1*25	BOLT, M8*1*25	12	
16				
17				
18				
19				
20				
21				
22				
23				
24				
25				
26				

F22 - RUF500-2000000 SEAT



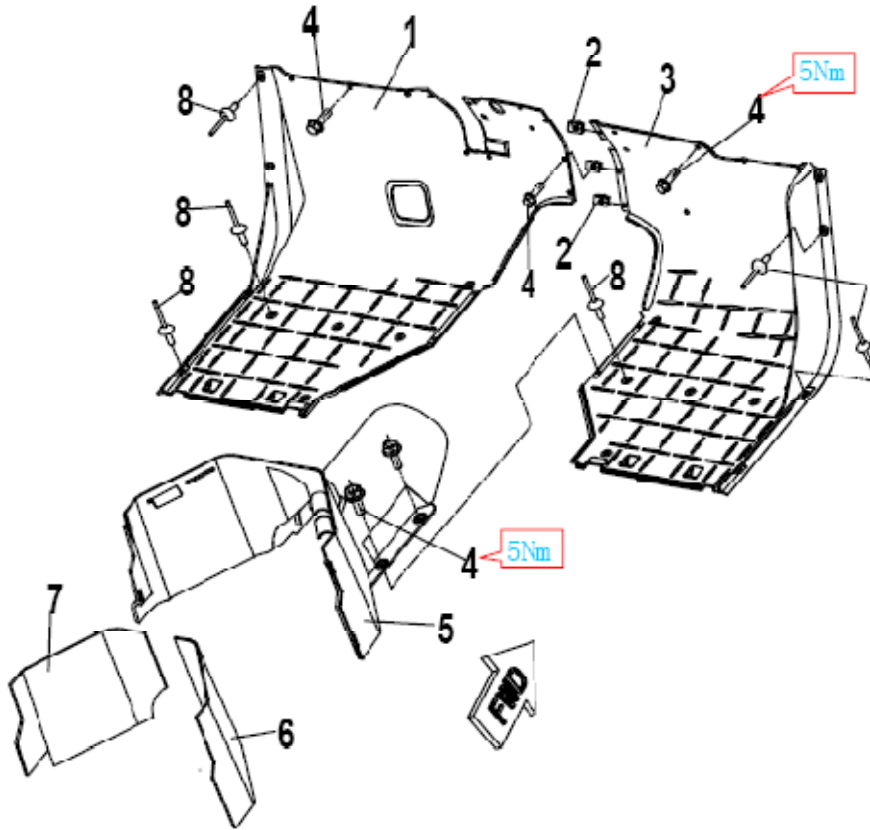
ITEM	PART CODE	DESCRIPTION	QTY	REMARKS
1	GB/5789M10*20	BOLT M10*1.25*20,FLANGE	4	
2	GB/T6177.2M10*1.25	NUT M10*1.25	2	
3	RUF500L2-2001300L	SEAT,LEFT	1	
	RUF500-2001300LA	ORANGE AND BLACK SEAT,LEFT	1	
4	RUF500L2-2003000	SEAT BELT	2	
5	GB/5789M8*20	BOLT M8*20 FLANGE	2	
6	RUF500-2001300R	SEAT,RIGHT	1	
	RUF500-2001300RA	ORANGE AND BLACK SEAT , RIGHT	1	
7	RUF500-2001200	ASSISTANT PATH	2	
8	RUF500-2001100	MAIN PATH	2	
9	GB/T5781M8*20	BOLT M8X20,	8	
10	RUF500-2002000R	seat support (R)	1	
11	RUF500-2002000L	seat support (L)	1	
12	GB/T6177.1 M8	NUT M8,FLANGE	2	
13	GB/T5789 M8*55	BLOT M8*55,FLANGE	2	
14	RUF500-2003000	SEAT PLATE	2	
15	GB/T889.1 M8	NUT M8	8	
16	RUF500-2000001	shoulder pad	4	
17				
18				
19				
20				
21				
22				
23				
24				
25				
26				
27				

F25 - RUF500-3200000 FENDER



ITEM	PART CODE	DESCRIPTION	QTY	REMARKS
1	GB/T923 M6	Nut M6, STAINLESS STEEL	2	
2	GB/T97.1 D6	WASHER D6,FLATE	4	
3	RUF500-3201201	PANEL CONNECT	2	
4	RUF500-3201202	SPACER,HOOD	2	
5	GB/57891M6*25	BOLT M6*25	2	
6	RUF500-3507021	FRONT HOOD STICKER	1	
7	RUF500-3201001	HOOK	1	
8	RUF500-0300002	RIVET	12	
9	RUF500-3201008	FENDER (RIGHT)	1	
10	RUF500-1401001	SPRING NUT M6	20	
11	GB/5789 M6*16	BOLT M6*16,FLANGE	20	
12	RUF500-3201002.1	LIGHT STANDER	1	
13	GB6177.1 M6	NUT M6, FLANGE	1	
14	RUF500-3507022	STANDER,FRONT LOGO	1	
15	RUF500-3507020	FRONT LOGO	1	
16	GB/T96 D6	WASHER D6	1	
17	RUF500-3201002A	LIGHT STANDER	1	
18	RUF500-3201002.2	LIGHT STANDER	1	
19	RUF500-3201007	FENDER (LEFT)	1	
20	RUF500-3200001	HOOK FIXED PIN	2	
21	GB/T91 D2.5*30	PIN D2.5*30	2	
22	GB/T97.1 D12	WASHER D12,FLATE	2	
23	RUF500-3201009	GRILL	1	

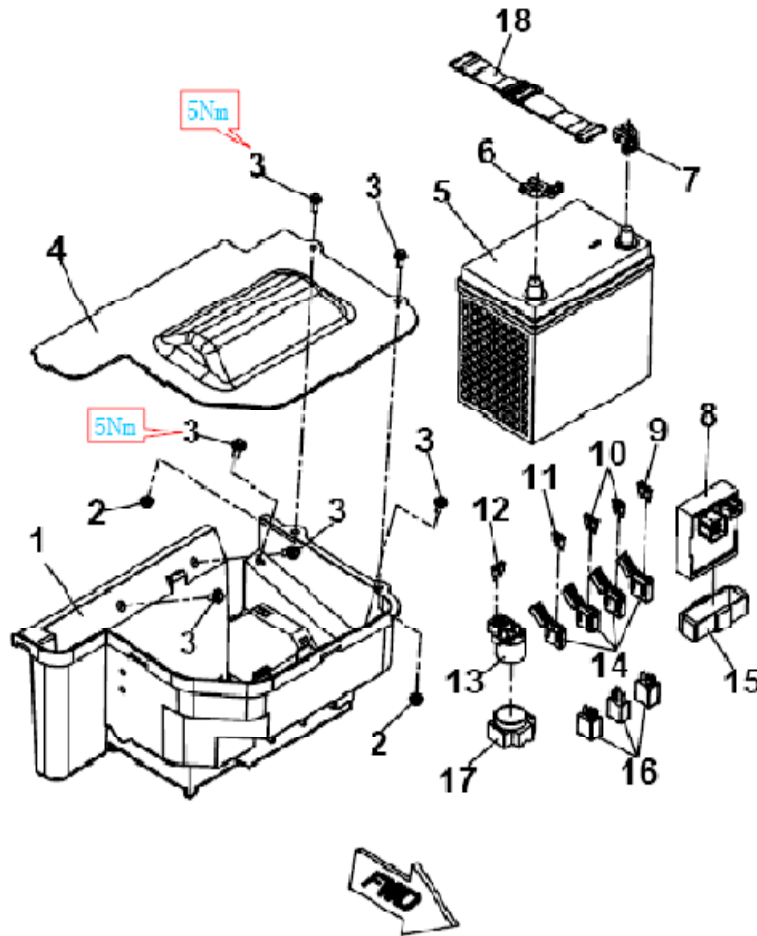
F27 - RUF500-320000 FLOOR



ITEM	PART CODE	DESCRIPTION	QTY	REMARKS
1	RUF500-3203001	FLOOR(LEFT)	1	
2	RUF500-1401001	PLATE M6	3	
3	RUF500-3203002	FLOOR (RIGHT)	1	
4	GB/5789 M6*16	BOLT M6*16,FLANGE	16	
5	RUF500-3203003	FRONT BAFFLE, ENGINE	1	
6	RUF500-3203005	LAGGING, FRONT BAFFLE(RIGHT)	1	
7	RUF500-3203004	LAGGING, FRONT BAFFLE (LEFT)	1	
8	GB/T12618 D5*20	Rivet(Pulls out the core) D5*20	18	
9				
10				
11				
12				
13				
14				
15				
16				
17				
18				
19				
20				
21				
22				
23				
24				
25				
26				

F28 - RUF500-320000 FENDER		ITEM	PART CODE	DESCRIPTION	QTY	REMARKS
		1	RUF500-3202006	GRILL	1	
		2	RUF500-3202005	COVER, ENGINE	1	
		3	RUF500-3202004	LAGGING, ENGINE	1	
		4	RUF500-3204004	FRONT COVER, GASOLINE TANK	1	
		5	RUF500-3202001	LAGGING, ENGEIN	1	
		6	RUF500-3202003	LAGGING, ENGINE	1	
		7	RUF500-3204005	SIDE COVER, GASOLINE TANK	1	
		8	RUF500-3202002	LAGGING, ENGINE	1	
		9	RUF500-3204006	REAR COVER, GASOLINE TANK	1	
		10	RUF500-3202009	INLET SCOOP	1	
		11	RUF500-3204003	REAR COVER, LEFT SEAT	1	
		12	RUF500-3204002	SIDE COVER, LEFT SEAT	1	
		13	RUF500-3204001	FRONT COVER, LEFT SEAT	1	
		14	RUF500-3202008	GRILL	1	
		15	RUF500-0300002	RIVET	34	
		16	RUF500-3507009	LABEL,OIL TANK	1	
		17	RUF500-3507008	LABEL,UNDER SEAT	1	
		18				
		19				
		20				
		21				
		22				
		23				
		24				
		25				
		26				
		27				

F29 - RUF500-2300000 BATTERY



ITEM	PART CODE	DESCRIPTION	QTY	REMARKS
1	RUF500-2301002	STORGAE ,BATTERY	1	
2	GB/T6177.1 M6	NUT M6,FLANGE	2	
3	GB/T5789 M6*16	BOLT M6*16,FLANGE	6	
4	RUF500-2301001	COVER,BATTERY STORGAE	1	
5	RUF500-2302100	BATTERY	1	
6	RUF500-2302200	BATTERY CONECTORS+	1	
7	RUF500-2302300	BATTERY CONECTORS-	1	
8	RUF500-2303100	IGNITION CONTROL	1	
9	RUF500-2305100	FUSE 15A	1	
10	RUF500-2305200	FUSE 10A	2	
11	RUF500-2305300	FUSE 5A	1	
12	RUF500-2306200	FUSE 20A	1	
13	RUF500-2306100	START SOLINOD	1	
14	RUF500-2305001	FUSE BOX	4	
15	RUF500-2303002	COVER,IGNITION CONTROL	1	
16	RUF500-2304100	AUXILIARY RELAY	3	
17	RUF500-2306002	COVER,START SOLINOD	1	
18	RUF500-2307000	TAPE,BATTERY	1付	
19				
20				
21				
22				
23				
24				
25				
26				

